



US00D437110S

(12) **United States Design Patent**
Ivarson et al.

(10) **Patent No.:** **US D437,110 S**

(45) **Date of Patent:** **** Feb. 6, 2001**

(54) **BACKPACK**

5,588,569 * 12/1996 Mitomi et al. 224/153
6,053,382 * 4/2000 Wyant 224/153

(76) Inventors: **Jeffrey J. Ivarson; Henrietta L. Ivarson; Ian C. Ivarson**, all of 2 Bank St., San Anselmo, CA (US) 94960

* cited by examiner

(**) Term: **14 Years**

Primary Examiner—Celia Murphy
(74) *Attorney, Agent, or Firm*—Johnson & Stainbrook, LLP; Craig M. Stainbrook; Larry D. Johnson

(21) Appl. No.: **29/121,427**

(57) **CLAIM**

(22) Filed: **Apr. 6, 2000**

The ornamental design for a backpack, as shown and described.

(51) **LOC (7) Cl.** **03-01**

(52) **U.S. Cl.** **D3/217; D3/216**

(58) **Field of Search** **D3/216, 217; 224/153, 224/582, 267, 651, 658; 383/38**

DESCRIPTION

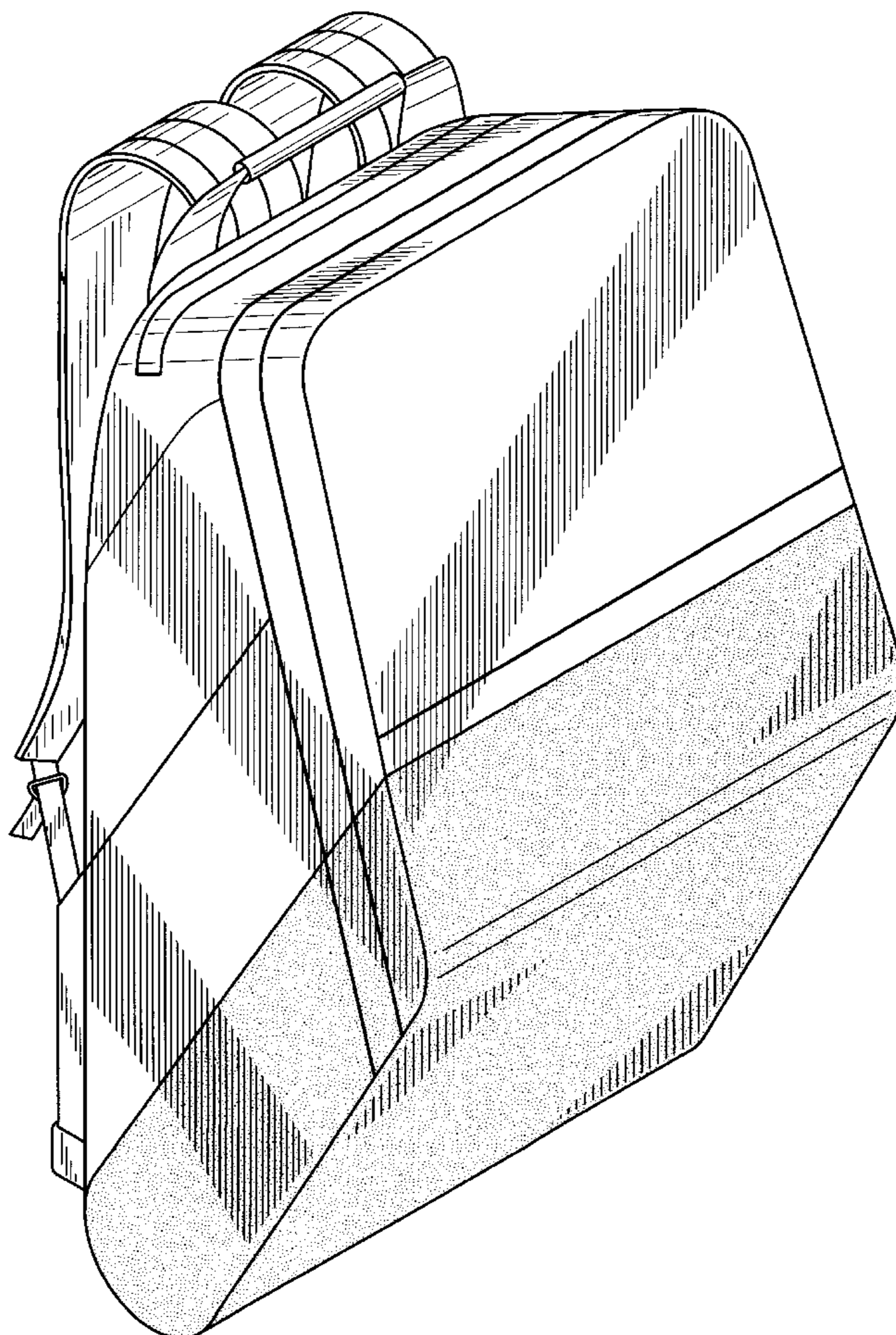
(56) **References Cited**

U.S. PATENT DOCUMENTS

D. 197,546	*	2/1964	Motokane	D3/267
D. 392,094	*	3/1998	Lane	D3/217
D. 399,053	*	10/1998	Moraes	D3/216
D. 404,563	*	1/1999	Rausch	D3/216
D. 418,972	*	1/2000	Gold	D3/217
D. 425,698	*	5/2000	Paul et al.	D3/217
4,018,369	*	4/1977	Jaeger	224/582
4,979,658	*	12/1990	Baker	224/153

FIG. 1 is an upper left rear perspective view of the backpack showing our new design;
FIG. 2 is a front elevational view thereof;
FIG. 3 is a right side elevational view thereof;
FIG. 4 is a rear elevational view thereof;
FIG. 5 is a left side elevational view thereof;
FIG. 6 is a top plan view thereof; and,
FIG. 7 is a bottom plan view thereof.
The broken lines showing small squares in FIG. 4 represent stitching.

1 Claim, 7 Drawing Sheets



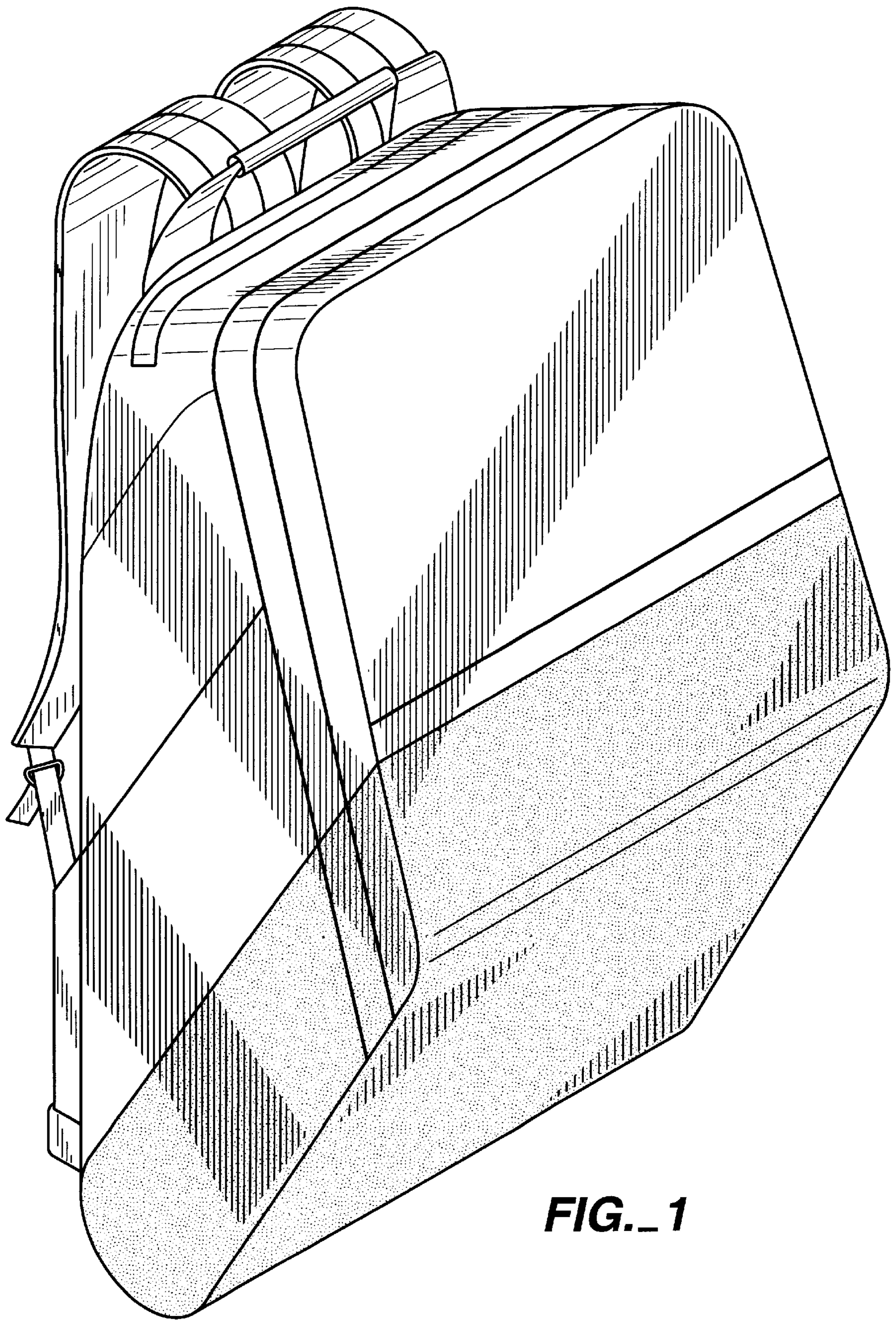
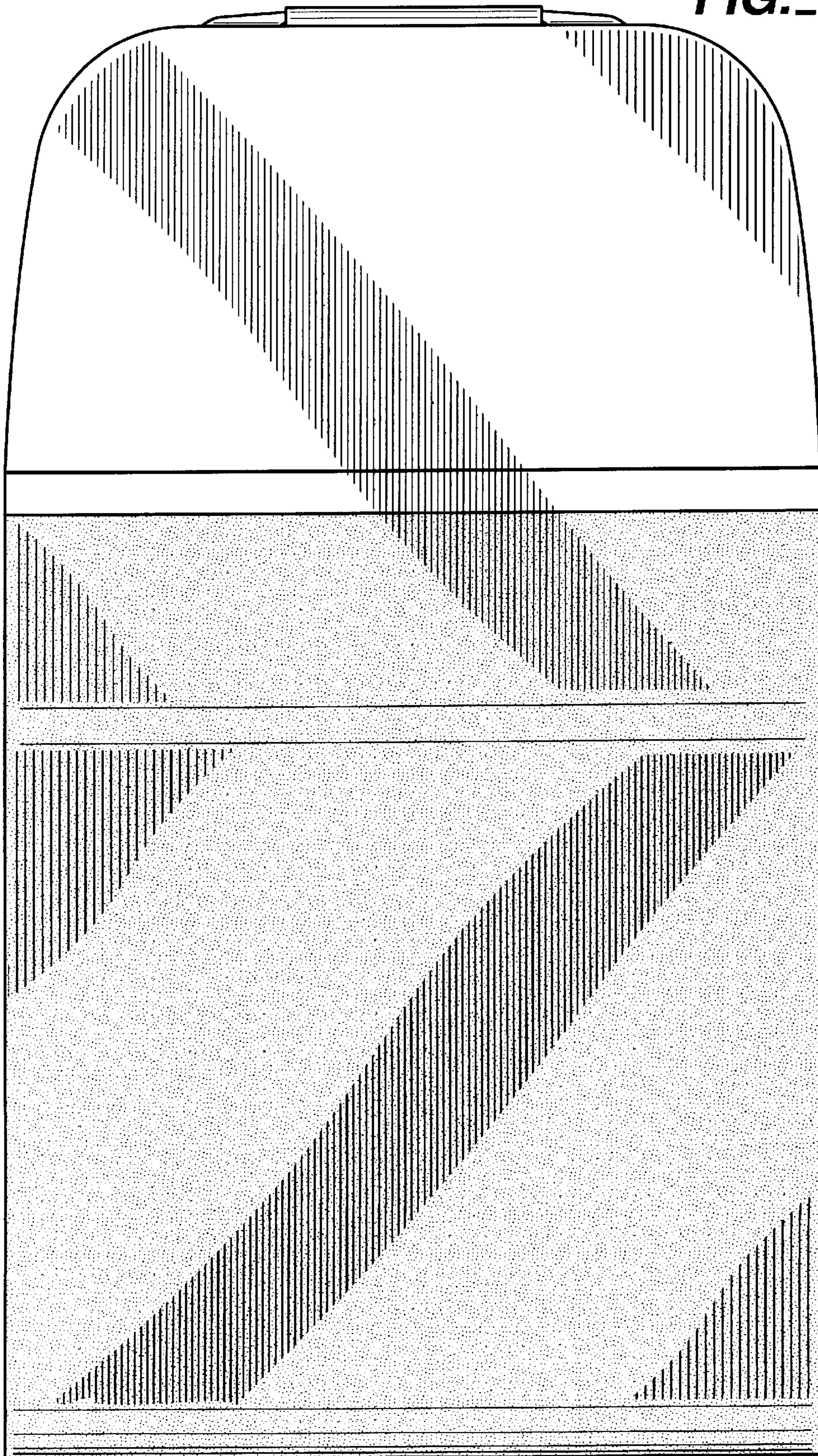


FIG. 1

FIG. 2



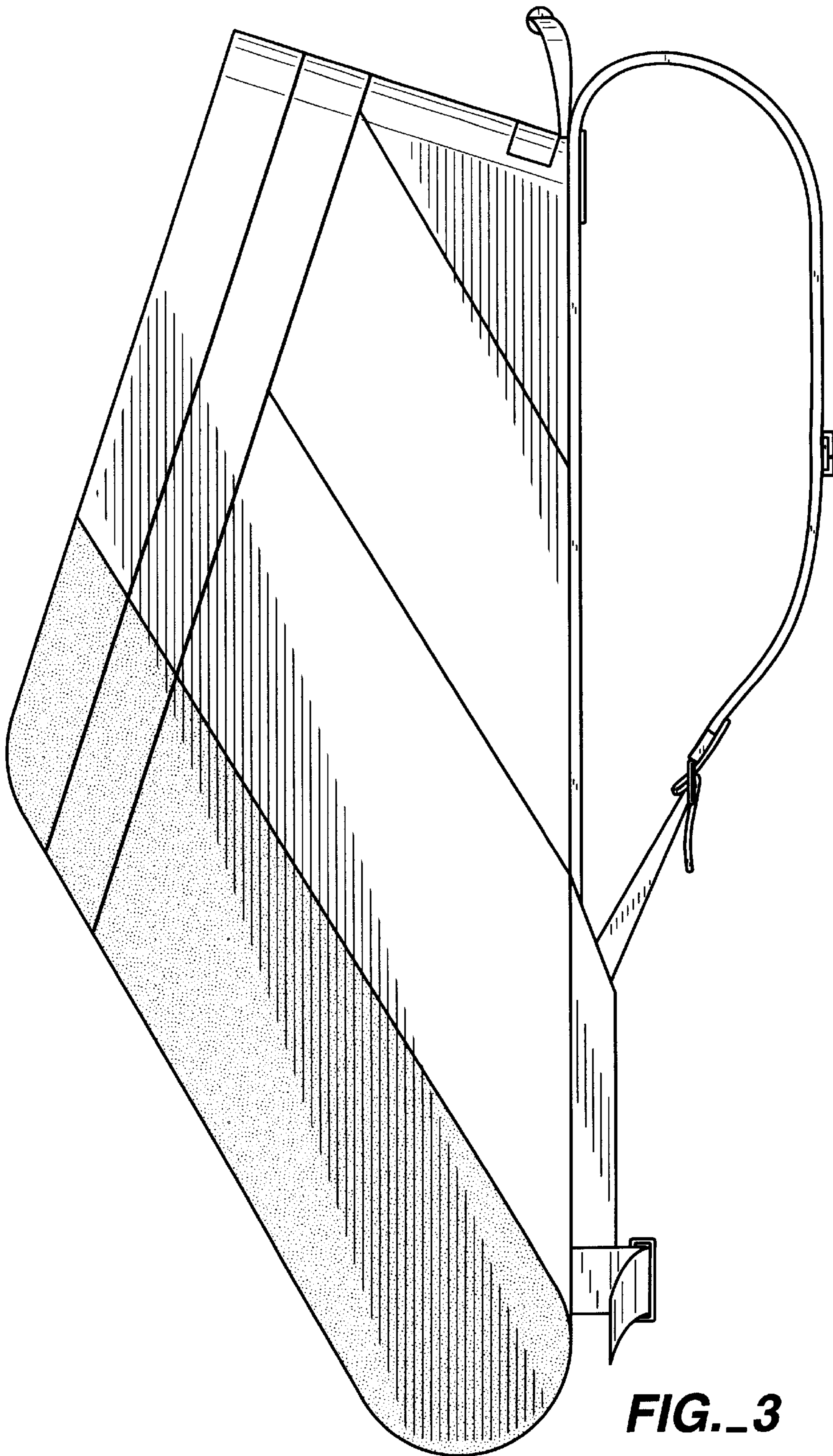
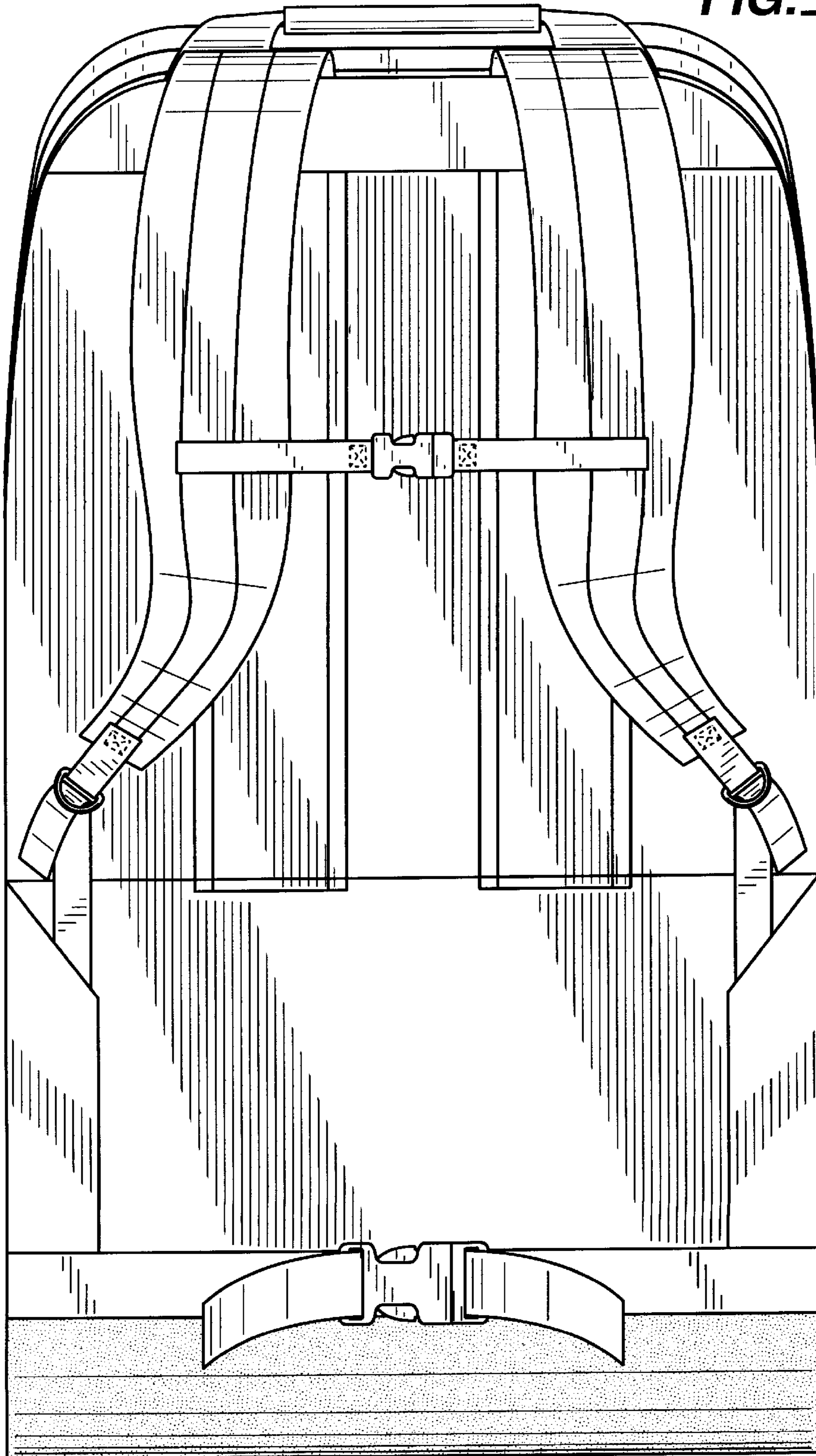


FIG. 3

FIG. 4



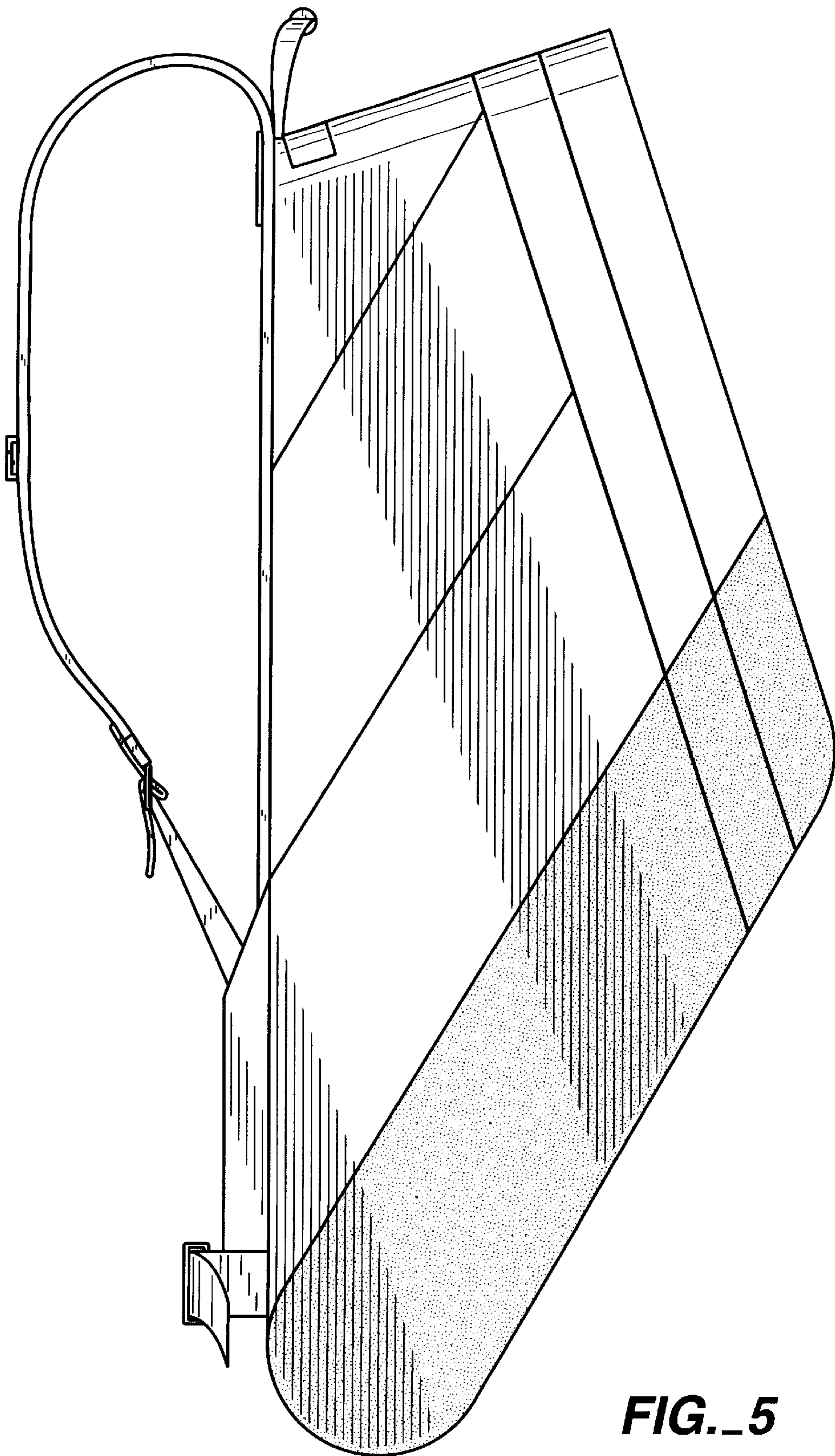


FIG. 5

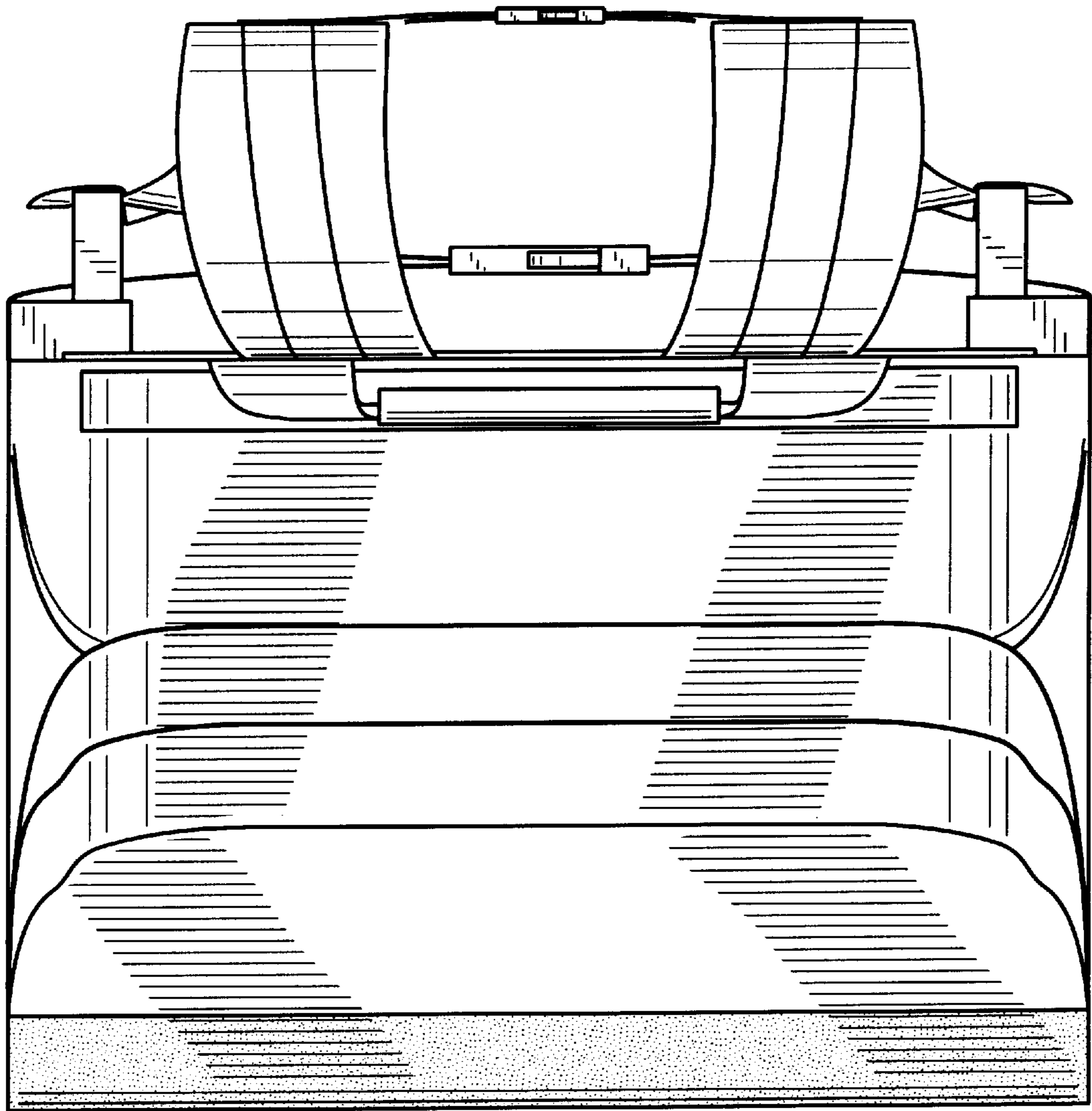


FIG. 6

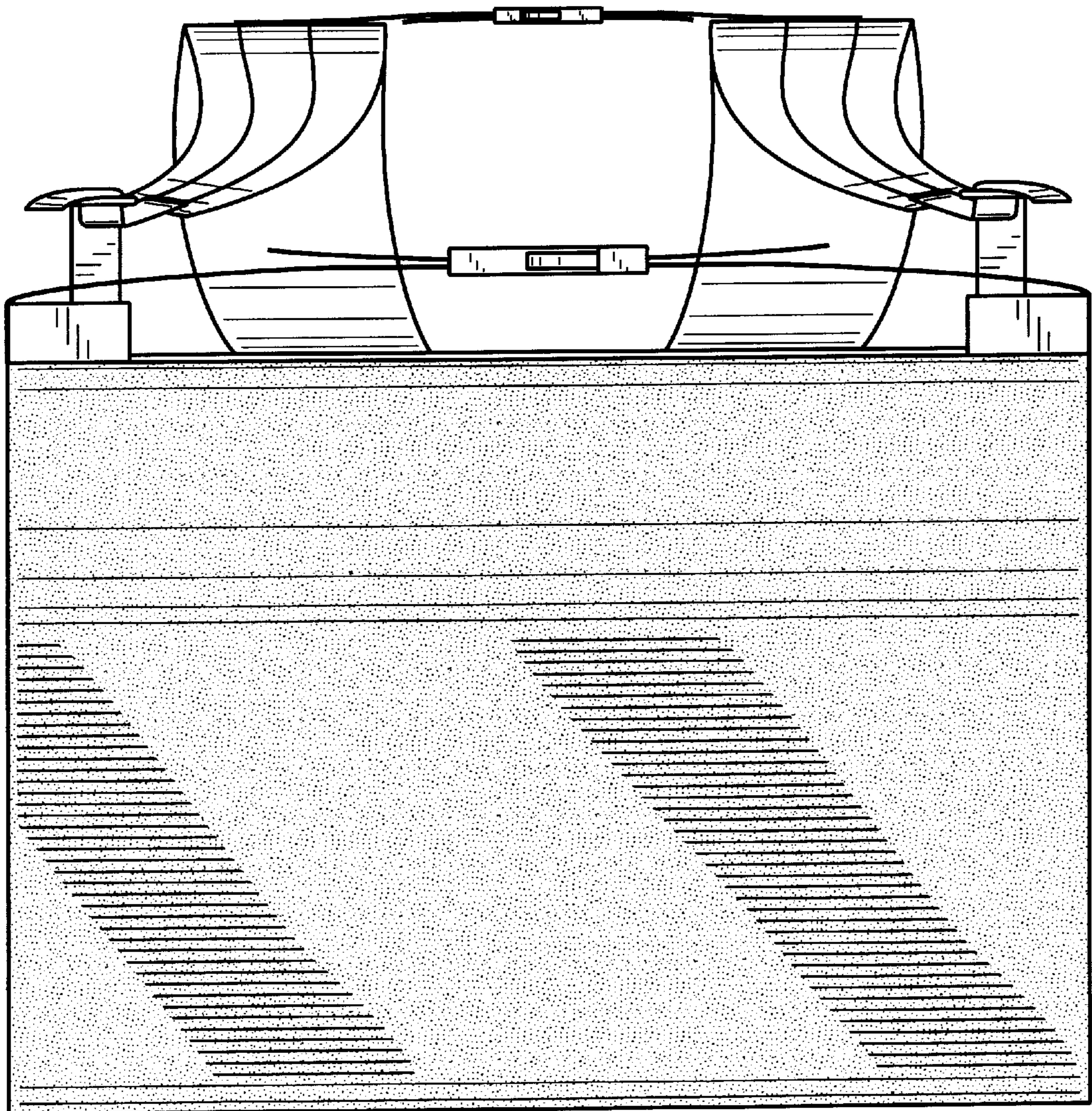


FIG. 7