



US00D437108S

(12) **United States Design Patent**
Peabody

(10) **Patent No.:** **US D437,108 S**

(45) **Date of Patent:** **** Feb. 6, 2001**

(54) **GOLF CLEAT**

6,052,923 * 4/2000 McMullin 36/127

(76) Inventor: **Steven R. Peabody**, 320 W. Ash P.O.
Box 207, Zionsville, IN (US) 46077

* cited by examiner

(**) Term: **14 Years**

Primary Examiner—Louis S. Zarfaz
Assistant Examiner—Gregory Andoll
(74) *Attorney, Agent, or Firm*—Richard L. Huff

(21) Appl. No.: **29/116,456**

(57) **CLAIM**

(22) Filed: **Jan. 5, 2000**

The ornamental design for the golf cleat, as shown and described.

(51) **LOC (7) Cl.** **02-04**

(52) **U.S. Cl.** **D2/962**

(58) **Field of Search** D2/962; 36/127,
36/134, 59 R, 61, 62, 65, 66, 67 R, 67 A,
67 B, 67 C, 67 D, 59 A, 59 B, 59 C, 59 D

DESCRIPTION

(56) **References Cited**

U.S. PATENT DOCUMENTS

- D. 387,548 * 12/1997 McMullin D2/962
- D. 401,046 * 11/1998 McMullin D2/962
- 5,940,993 * 8/1999 Ronci 63/134

FIG. 1 is an elevational perspective view of the bottom of the golf cleat.

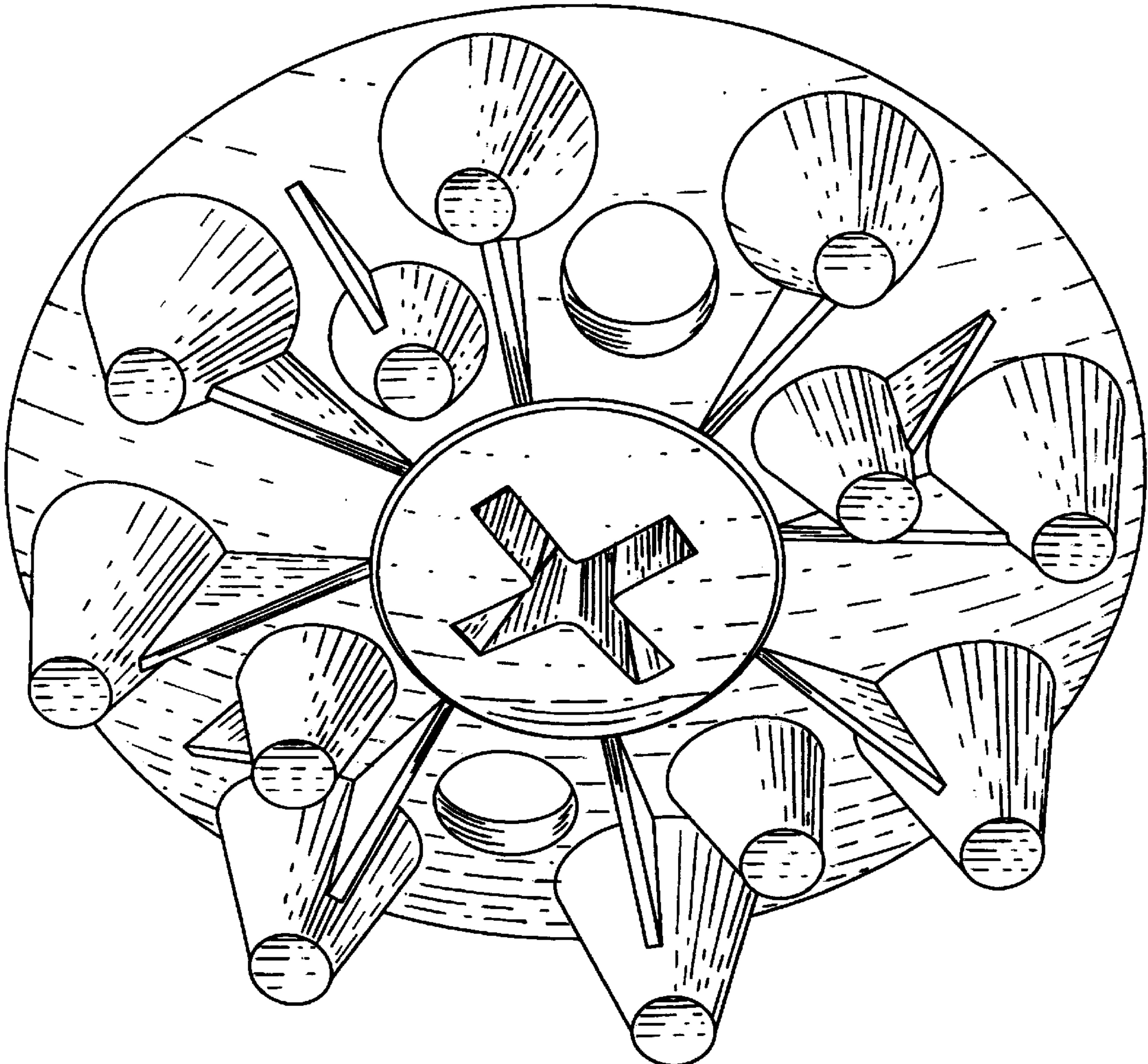
FIG. 2 is a top view of the cleat;

FIG. 3 is a side view of the cleat; and,

FIG. 4 is a bottom view of the cleat.

The broken line showing of the screw in FIG. 2 is for illustrative purposes only and forms no part of the claimed design.

1 Claim, 2 Drawing Sheets



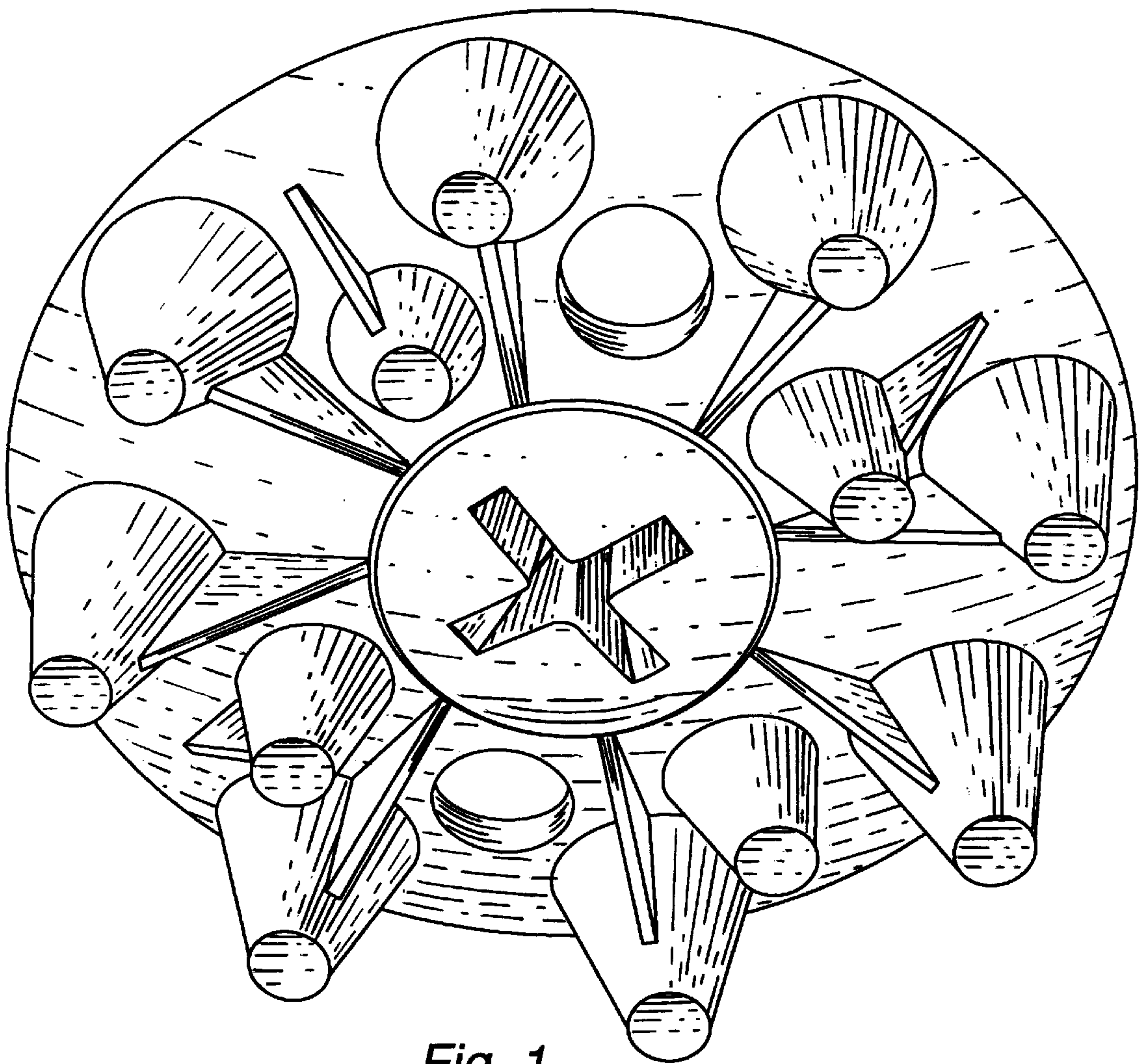


Fig. 1

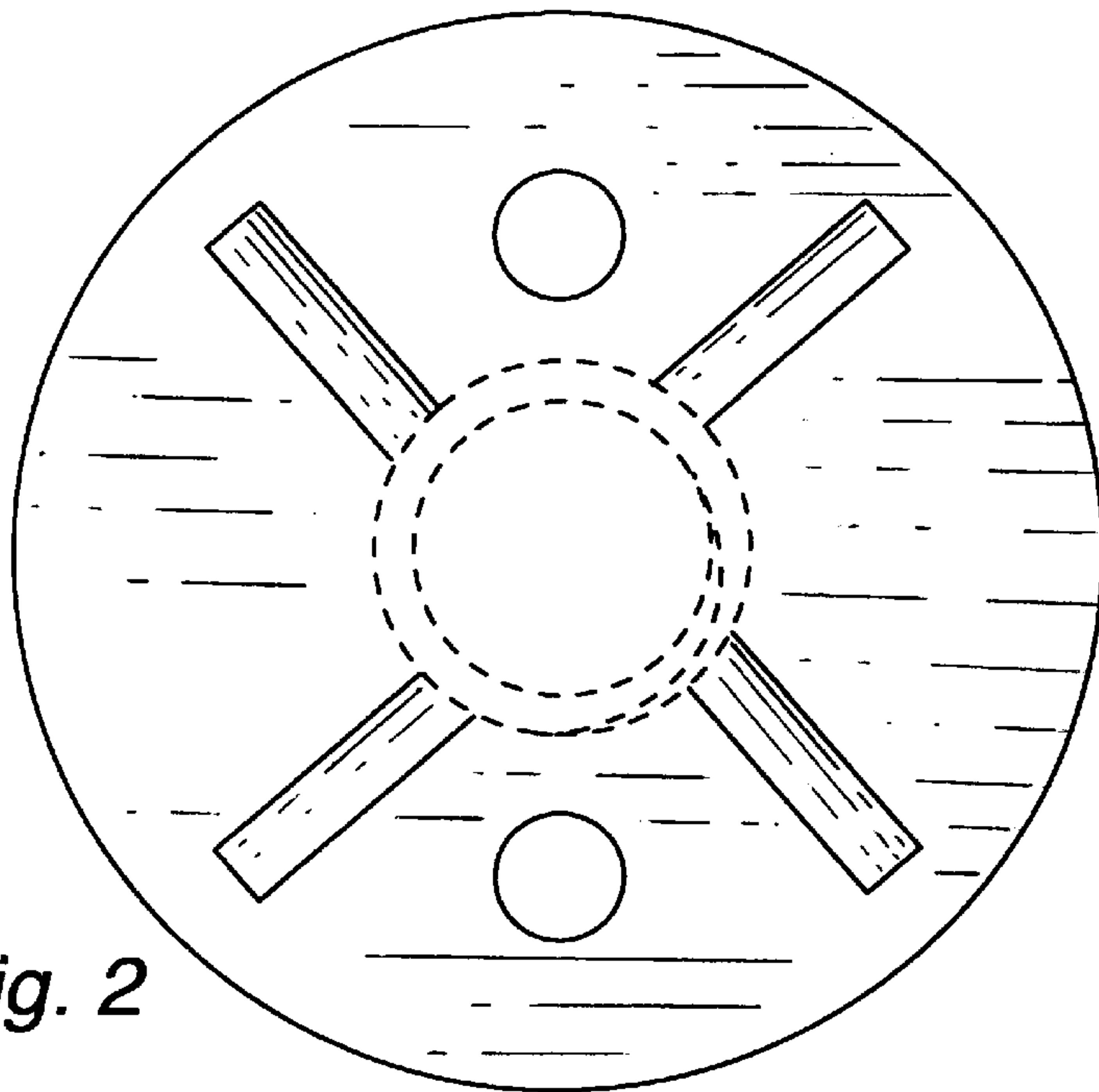


Fig. 2

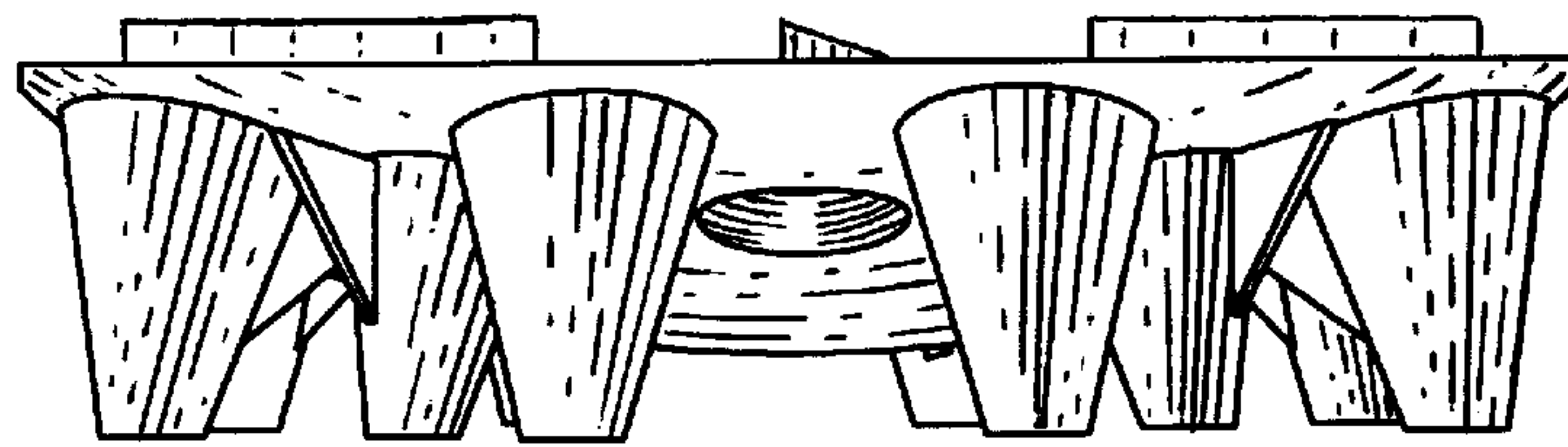


Fig. 3

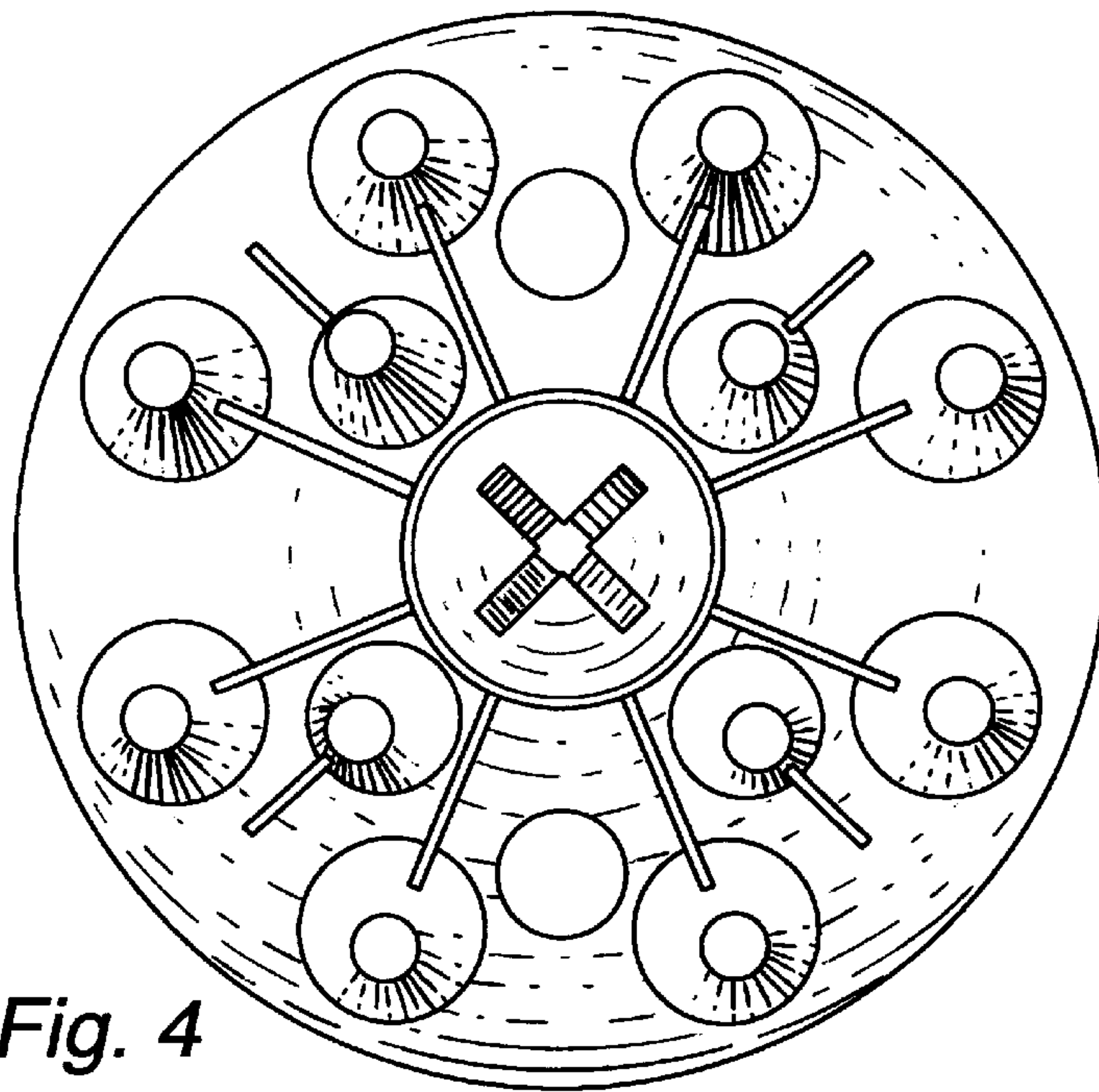


Fig. 4