



US00D437101S

(12) **United States Design Patent**
Debbouz et al.

(10) **Patent No.:** **US D437,101 S**

(45) **Date of Patent:** **** Feb. 6, 2001**

- (54) **PASTA**
- (75) Inventors: **Amar Debbouz**, Columbus; **Edward Albert Matuszak**, Westerville, both of OH (US)
- (73) Assignee: **Borden Foods Corporation**, Columbus, OH (US)
- (**) Term: **14 Years**
- (21) Appl. No.: **29/121,132**
- (22) Filed: **Apr. 4, 2000**
- (51) **LOC (7) Cl.** **01-01**
- (52) **U.S. Cl.** **D1/126**
- (58) **Field of Search** D1/100, 101, 106, D1/115, 125-129, 199; 426/557, 451, 104

- D. 323,918 2/1992 Meyers, Jr. et al. .
- D. 323,919 2/1992 Meyers, Jr. et al. .
- D. 324,288 3/1992 Meyers, Jr. et al. .
- D. 324,289 3/1992 Meyers, Jr. et al. .
- D. 324,601 3/1992 Meyers, Jr. et al. .
- D. 324,602 3/1992 Meyers, Jr. et al. .
- D. 324,752 3/1992 Meyers, Jr. et al. .
- D. 324,753 3/1992 Meyers, Jr. et al. .
- D. 324,754 3/1992 Meyers, Jr. et al. .
- D. 324,755 3/1992 Meyers, Jr. et al. .
- D. 324,756 3/1992 Meyers, Jr. et al. .
- D. 324,757 3/1992 Meyers, Jr. et al. .
- D. 324,934 3/1992 Meyers, Jr. et al. .
- D. 325,284 4/1992 Meyers, Jr. et al. .
- D. 325,457 4/1992 Meyers, Jr. et al. .
- D. 325,458 4/1992 Meyers, Jr. et al. .
- D. 325,662 4/1992 Meyers, Jr. et al. .
- D. 325,804 5/1992 Meyers, Jr. et al. .
- D. 326,553 6/1992 Meyers, Jr. et al. .
- D. 326,554 6/1992 Meyers, Jr. et al. .
- D. 326,758 6/1992 Meyers, Jr. et al. .
- D. 326,759 6/1992 Meyers, Jr. et al. .
- D. 326,760 6/1992 Meyers, Jr. et al. .

(56) **References Cited**

U.S. PATENT DOCUMENTS

- D. 20,860 * 6/1891 Stauffer D1/128
- D. 293,616 1/1988 Blatnick .
- D. 293,730 1/1988 Blatnick .
- D. 310,287 9/1990 Pellegrino .
- D. 311,625 10/1990 Starck .
- D. 311,626 10/1990 Starck .
- D. 311,627 10/1990 Cadestin .
- D. 311,628 10/1990 Scali et al. .
- D. 311,629 10/1990 Ragot .
- D. 311,630 10/1990 Scali et al. .
- D. 311,631 10/1990 Scali et al. .
- D. 321,076 10/1991 Meyers, Jr. et al. .
- D. 321,077 10/1991 Meyers, Jr. et al. .
- D. 321,078 10/1991 Meyers, Jr. et al. .
- D. 321,079 10/1991 Meyers, Jr. et al. .
- D. 321,080 10/1991 Meyers, Jr. et al. .
- D. 321,081 10/1991 Meyers, Jr. et al. .
- D. 321,082 10/1991 Meyers, Jr. et al. .
- D. 321,270 11/1991 Meyers, Jr. et al. .
- D. 321,271 11/1991 Meyers, Jr. et al. .
- D. 321,272 11/1991 Meyers, Jr. et al. .
- D. 322,503 12/1991 Meyers, Jr. et al. .
- D. 322,708 12/1991 Meyers, Jr. et al. .
- D. 323,732 2/1992 Meyers, Jr. et al. .

(List continued on next page.)

FOREIGN PATENT DOCUMENTS

- 2038761 9/1991 (CA) .

Primary Examiner—Alan P. Douglas
Assistant Examiner—Linda Brooks
 (74) *Attorney, Agent, or Firm*—Stevens, Davis, Miller & Mosher, L.L.P.

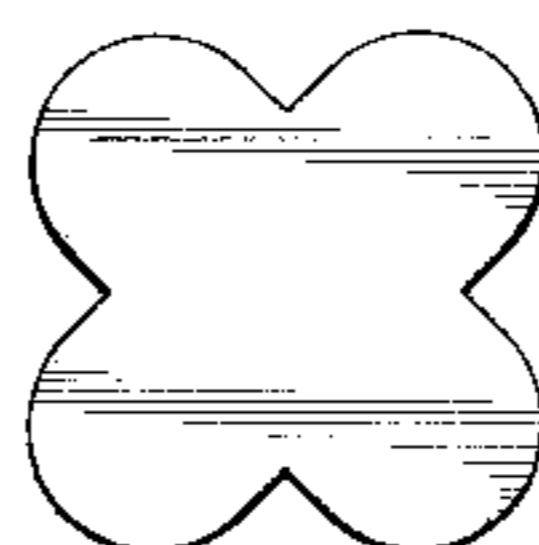
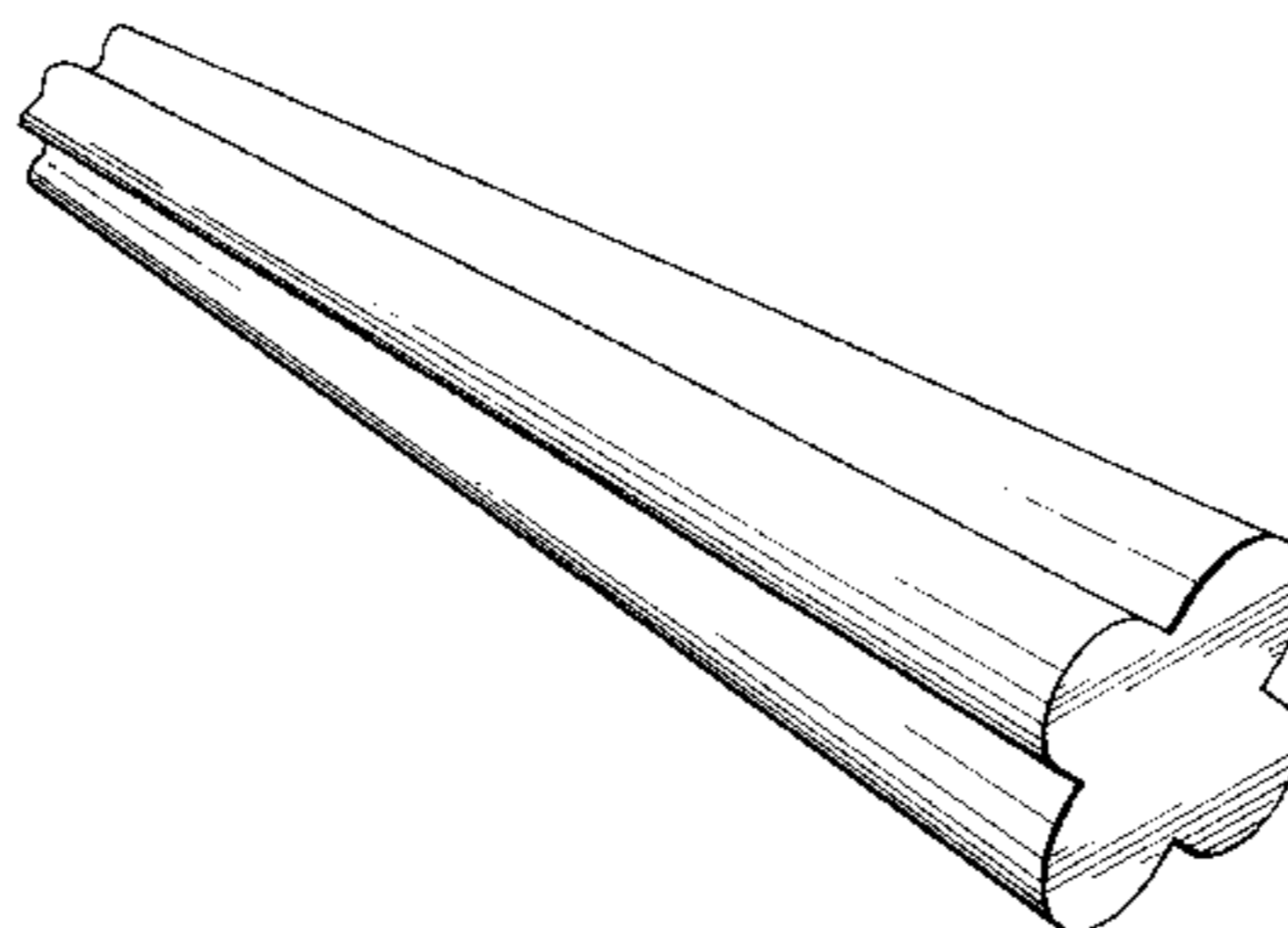
(57) **CLAIM**

The ornamental design for pasta, as shown and described.

DESCRIPTION

FIG. 1 is a perspective view taken from the upper, right-hand side of the pasta of the invention; the opposing view being identical; and,
 FIG. 2 is a right-hand view of the pasta of FIG. 1; the opposing view being identical.

1 Claim, 1 Drawing Sheet



US D437,101 S

Page 2

U.S. PATENT DOCUMENTS

D. 327,155	6/1992	Meyers, Jr. et al. .	D. 376,465	12/1996	Haro et al. .
D. 327,768	7/1992	Meyers, Jr. et al. .	D. 380,886	7/1997	Hauser et al. .
D. 333,546	3/1993	Rivero et al. .	D. 381,185	7/1997	Hauser et al. .
D. 345,443	3/1994	Meyers, Jr. et al. .	D. 381,486	7/1997	Hauser et al. .
D. 352,371	11/1994	Gonzalez .	D. 382,086	8/1997	Peoples-Allen et al. .
D. 352,372	11/1994	Gonzalez .	D. 392,785	3/1998	Villota et al. .
D. 352,373	11/1994	Gonzalez .	D. 394,535	5/1998	Villota et al. .
D. 352,811	11/1994	Gonzalez .	D. 407,885	4/1999	Lupini .
D. 357,337	4/1995	Roth .	D. 408,959	5/1999	Ligresti .
D. 357,564	4/1995	Roth .	694,745 *	3/1902	Hall D1/106 X
D. 364,721	12/1995	Martinez et al. .	1,591,265	7/1926	Baccellieri .
D. 367,151	2/1996	Bonucci .	4,752,205	6/1988	Moriyama et al. .
D. 374,753	10/1996	Tintle .			

* cited by examiner

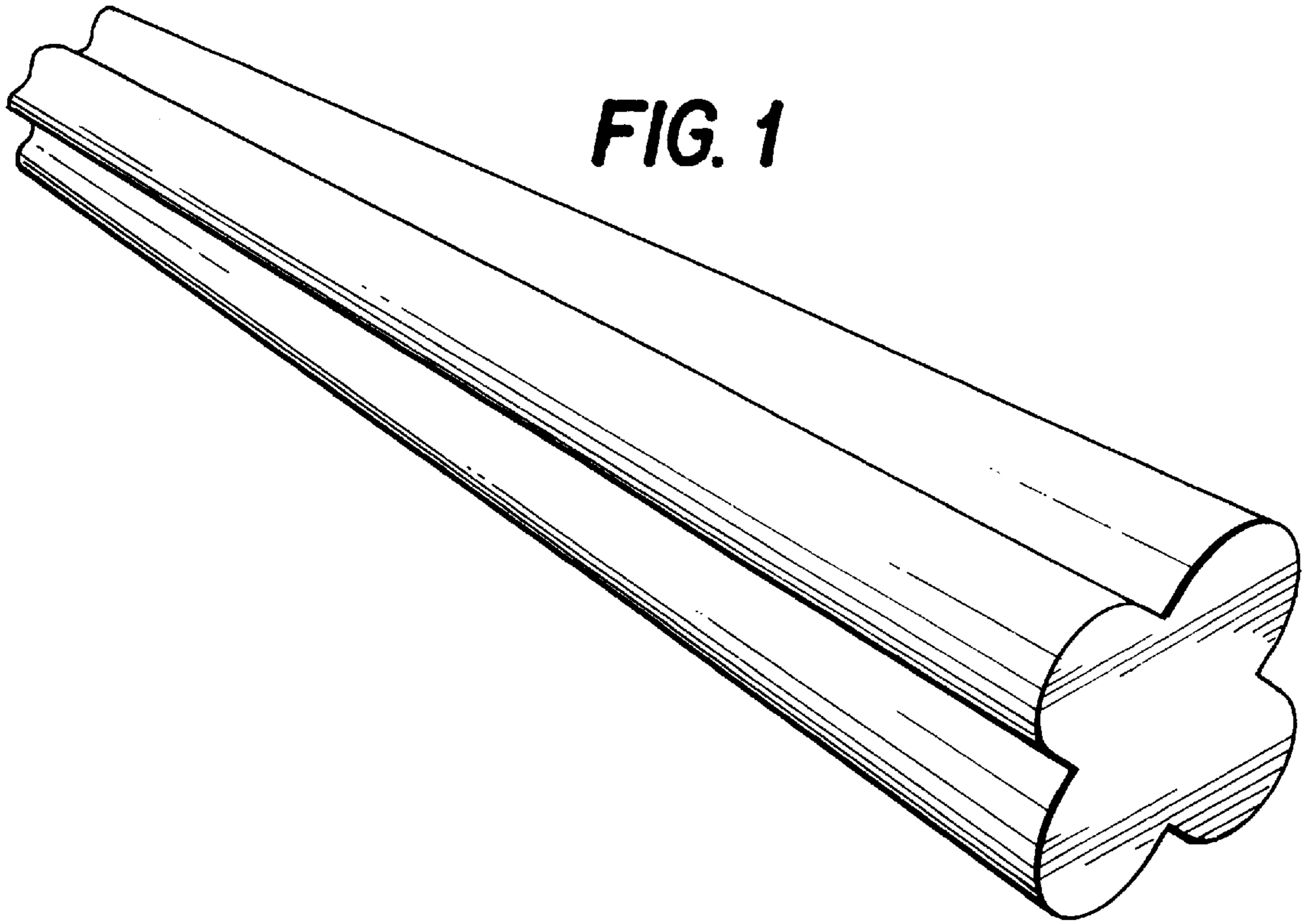
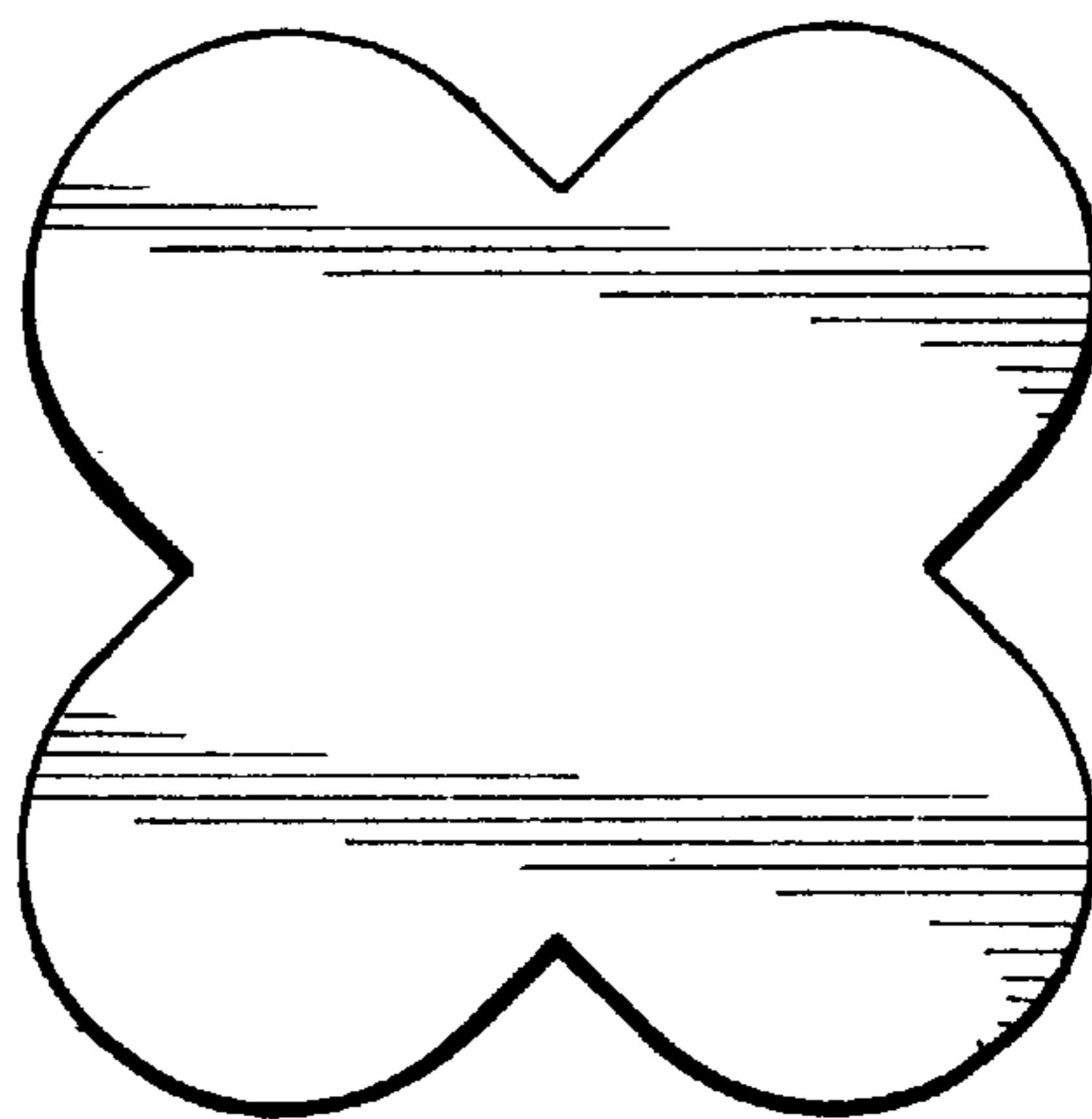


FIG. 2





US00D437101C1

(12) **EX PARTE REEXAMINATION CERTIFICATE** (6241st)
United States Patent
Debbouz et al.

(10) **Number:** **US D437,101 C1**
(45) **Certificate Issued:** **May 27, 2008**

(54) **PASTA**

(75) **Inventors:** **Amar Debbouz**, Columbus, OH (US);
Edward Albert Matuszak, Westerville, OH (US)

(73) **Assignee:** **The Bank of Nova Scotia**, New York, NY (US)

Reexamination Request:

No. 90/006,515, Jan. 17, 2003

Reexamination Certificate for:

Patent No.: **Des. 437,101**
Issued: **Feb. 6, 2001**
Appl. No.: **29/121,132**
Filed: **Apr. 4, 2000**

(51) **LOC (8) Cl.** **01-01**
(52) **U.S. Cl.** **D1/126**

(58) **Field of Classification Search** D1/125-129,
D1/199; D25/120; 426/557, 451, 104
See application file for complete search history.

(56) **References Cited**

U.S. PATENT DOCUMENTS

3,344,457 A * 10/1967 Grobert D25/120

FOREIGN PATENT DOCUMENTS

IT NA920 000008 5/1992

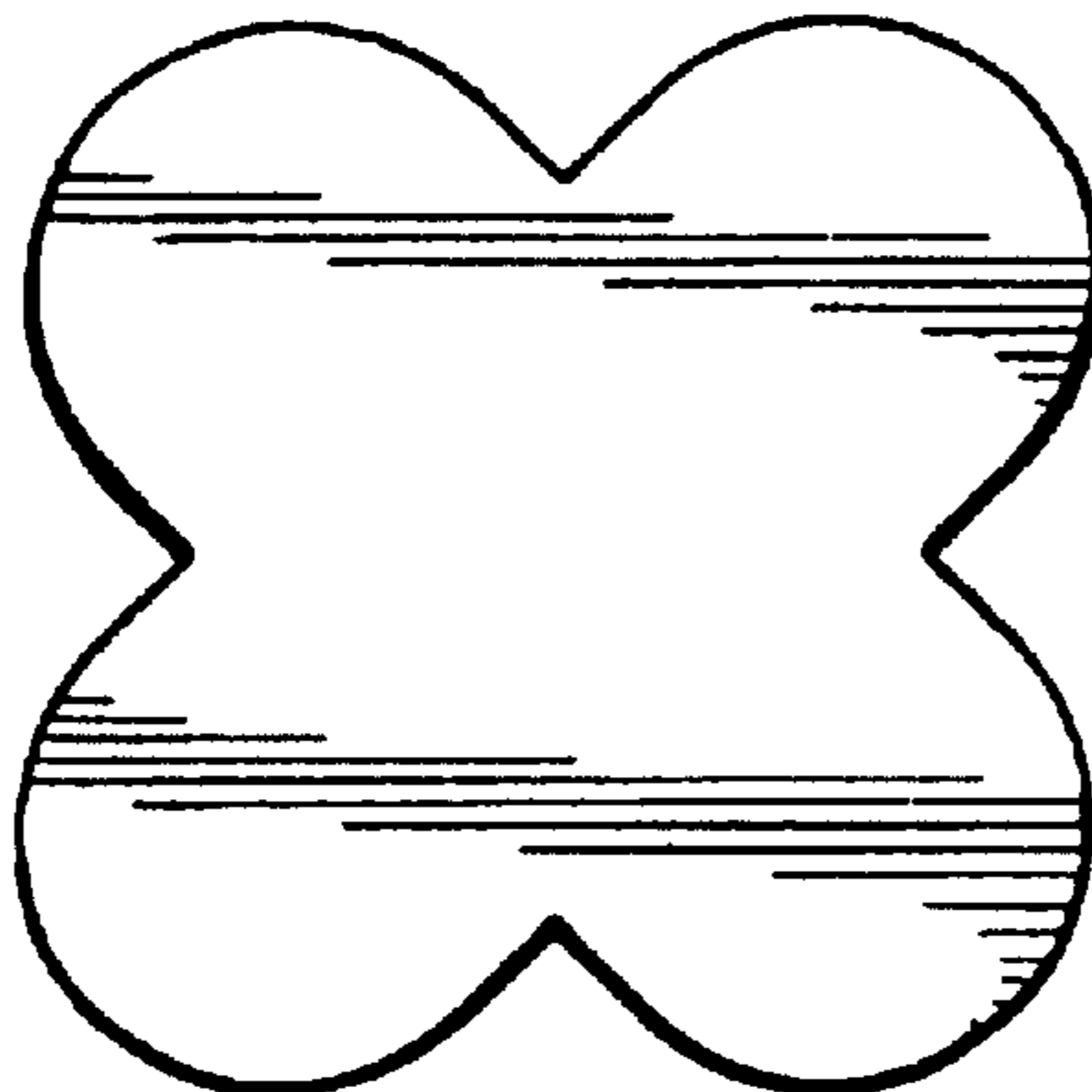
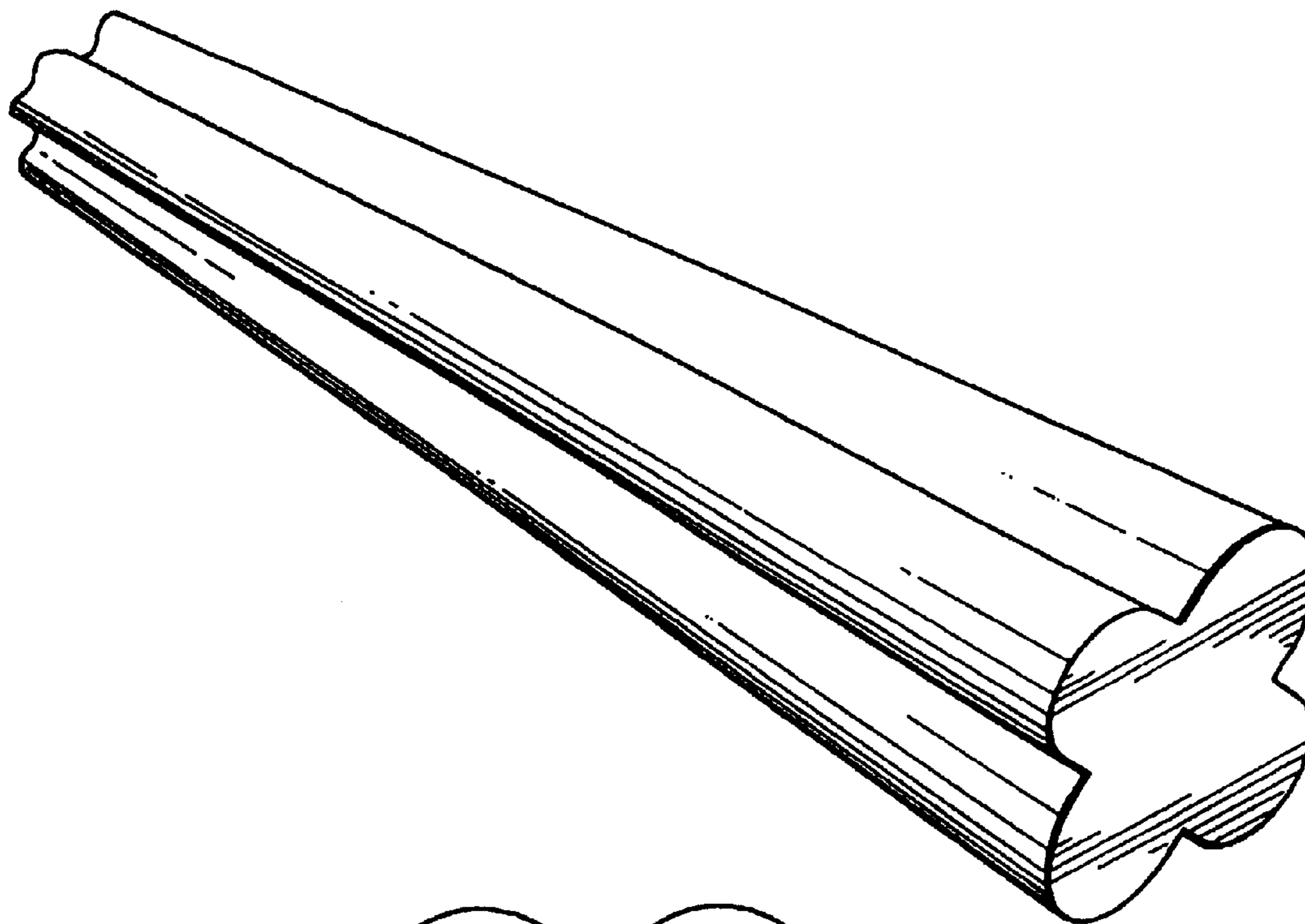
OTHER PUBLICATIONS

Catalog published by Montoni Trafile S.p.A., Italy, Aug. 1997, p. 4.

Catalog published by Landucci S.r.l., Italy, 1990.

* cited by examiner

Primary Examiner—Pamela J. Burgess



US D437,101 C1

1
EX PARTE
REEXAMINATION CERTIFICATE
ISSUED UNDER 35 U.S.C. 307
THE PATENT IS HEREBY AMENDED AS
INDICATED BELOW.

2
AS A RESULT OF REEXAMINATION, IT HAS BEEN
DETERMINED THAT:

The single claim is cancelled.