



US00D437100S

(12) **United States Design Patent**  
**Sancho**

(10) **Patent No.:** **US D437,100 S**

(45) **Date of Patent:** **\*\* Feb. 6, 2001**

(54) **STICK WITH DETACHABLE JOINTED ELEMENTS WHICH FORM A HUMAN SKELETON FOR FROZEN CONFECTIONERY PRODUCT**

(75) **Inventor:** **Daniel Poirot Sancho, Santiago (CL)**

(73) **Assignee:** **Good Humor-Breyers Ice Cream, Division of Conopco, Inc., Green Bay, WI (US)**

(\*\*) **Term:** **14 Years**

(21) **Appl. No.:** **29/105,405**

(22) **Filed:** **May 24, 1999**

(30) **Foreign Application Priority Data**

Nov. 25, 1998 (CL) ..... 2857-98

(51) **LOC (7) Cl.** ..... **01-01**

(52) **U.S. Cl.** ..... **D1/105; D1/109**

(58) **Field of Search** ..... **D19/62; D1/101-109, D1/127; 434/274; 426/104, 134**

(56) **References Cited**

**U.S. PATENT DOCUMENTS**

D. 212,205	*	9/1968	Feuerstein	.....	D1/105
D. 267,019	*	11/1982	Goldsmith	.....	D19/62
D. 286,652	*	11/1986	Fisher et al.	.....	D19/62
D. 334,828	*	4/1993	Kiyokane	.....	D1/105
D. 403,135	*	12/1998	De Cleir et al.	.....	D1/105

\* cited by examiner

*Primary Examiner*—Alan P. Douglas

*Assistant Examiner*—Linda Brooks

(74) *Attorney, Agent, or Firm*—James J. Farrell

(57) **CLAIM**

The ornamental design for a stick with detachable jointed elements which form a human skeleton for frozen confectionery product, as shown and described.

**DESCRIPTION**

FIG. 1 shows a front perspective view of a first embodiment of the stick with detachable jointed elements which form a human skeleton for frozen confectionery product, showing a skull and rib, the rear perspective view being a mirror image; FIG. 2 shows a rear perspective view of FIG. 1; FIG. 3 shows a front perspective view of a second embodiment of the design, showing the bones of a left arm and shoulder blade (the rear perspective view being a mirror image); FIG. 4 shows a rear perspective view of FIG. 3; FIG. 5 shows a front perspective view of a third embodiment of the design, showing the bones of a right arm and shoulder (the rear perspective view being a mirror image); FIG. 6 shows a rear perspective view of FIG. 5; FIG. 7 shows a front perspective view of a fourth embodiment of the design, showing the bones of a left leg from the foot to the knee (the rear perspective view being a mirror image); FIG. 8 shows a rear perspective view of FIG. 7; FIG. 9 shows a front perspective view of a fifth embodiment of the design, showing the bones of a left leg from the foot to the knee (the rear perspective view being a mirror image); FIG. 10 shows a rear perspective view of FIG. 9; FIG. 11 shows a front perspective view of a sixth embodiment of the design, showing a spinal column (the rear perspective view being a mirror image); FIG. 12 shows a rear perspective view of FIG. 11; FIG. 13 shows a front perspective view of a seventh embodiment of the design, showing pelvis and right femur (the rear perspective view being a mirror image); FIG. 14 shows a rear perspective view of FIG. 13; FIG. 15 shows a front perspective view of an eighth embodiment of the design, showing a rib and left femur (the rear perspective view being a mirror image); FIG. 16 shows a rear perspective view of FIG. 15; FIG. 17 shows a front perspective view of a ninth embodiment of the design, showing clavicles and a rib (the rear perspective view being a mirror image); FIG. 18 shows a rear perspective view of FIG. 17; FIG. 19 shows a front perspective view of a tenth embodiment of the design, showing three ribs (the rear perspective view being a mirror image); and, FIG. 20 shows a rear perspective view of FIG. 19.

**1 Claim, 5 Drawing Sheets**

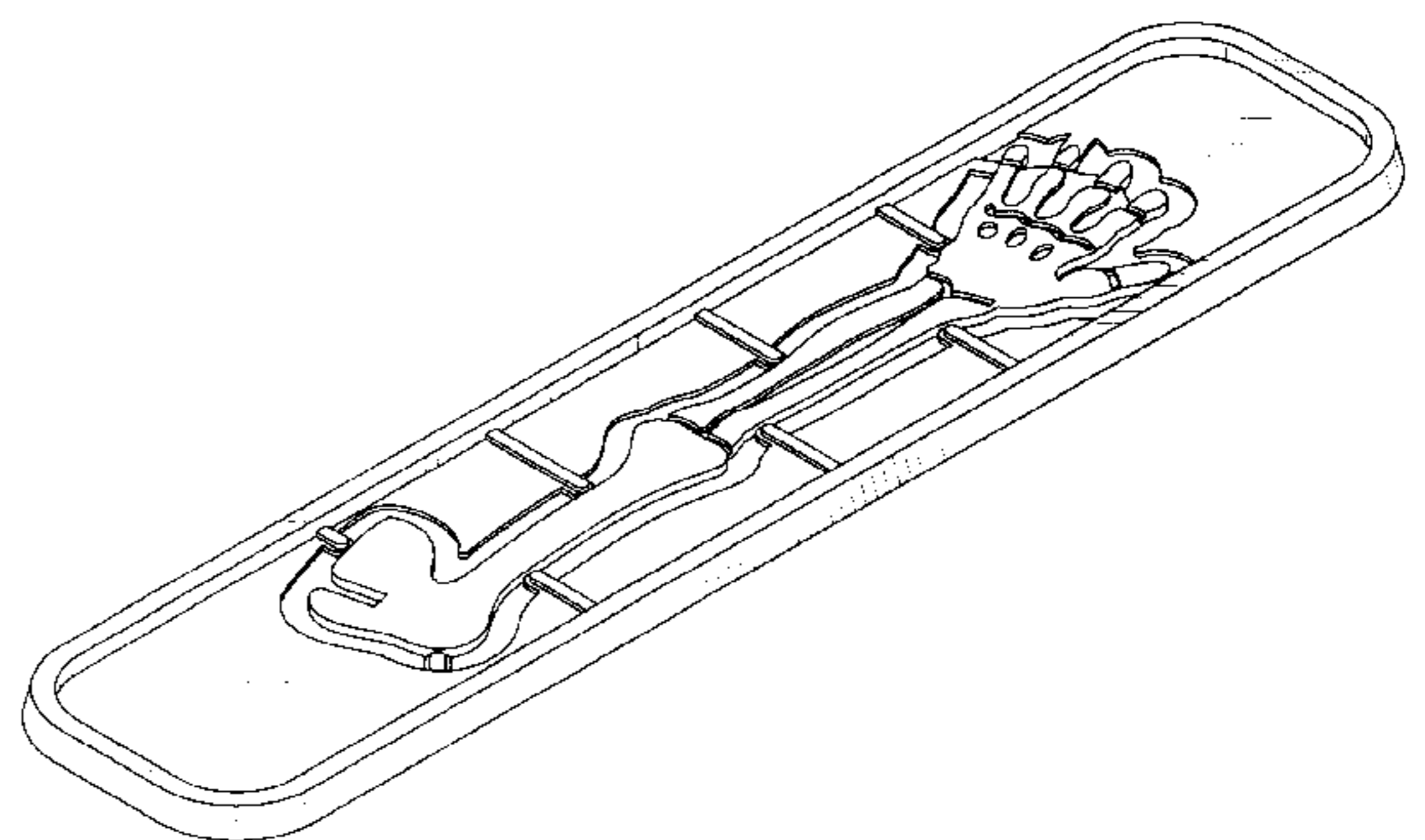
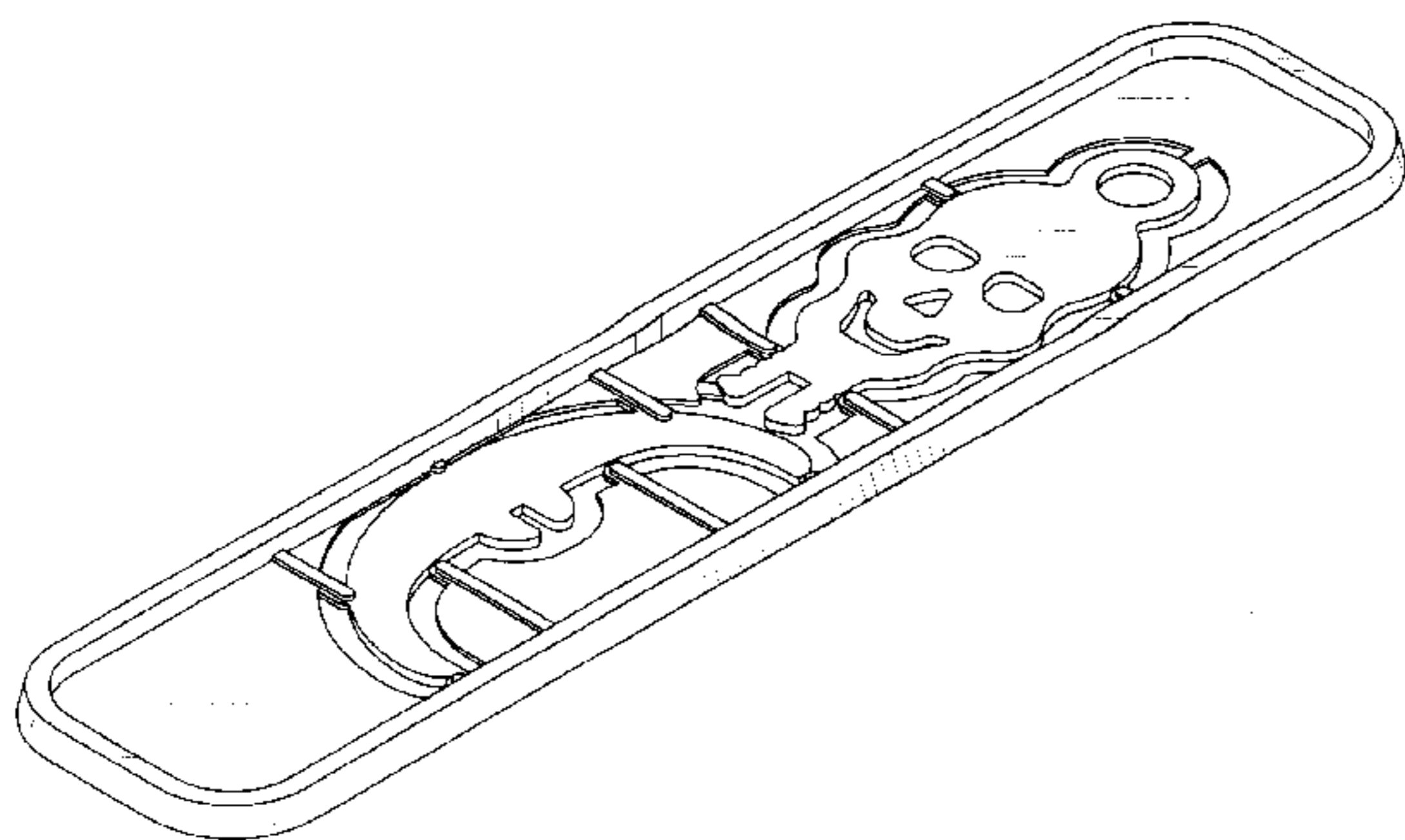


FIG. 1

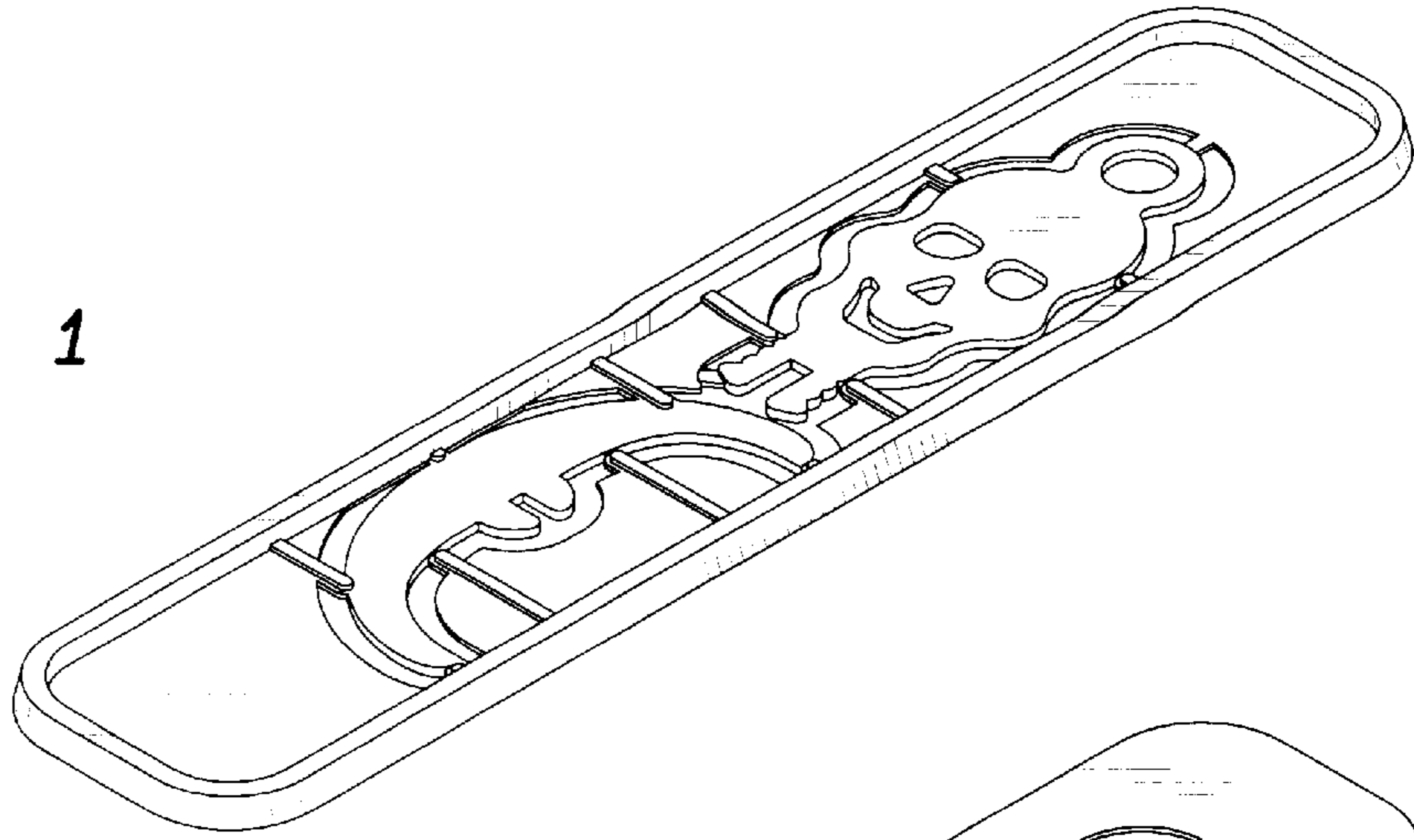


FIG. 2

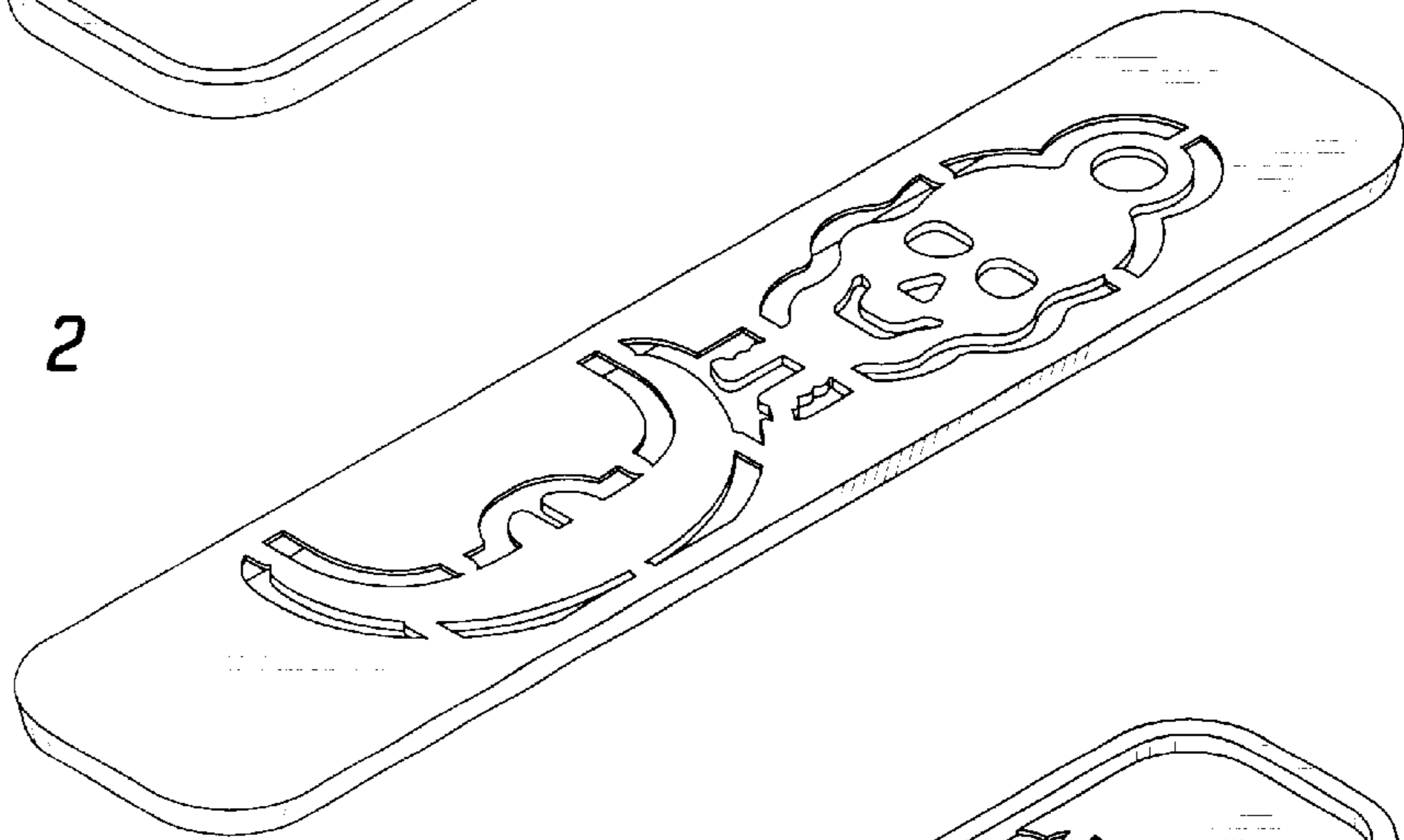


FIG. 3

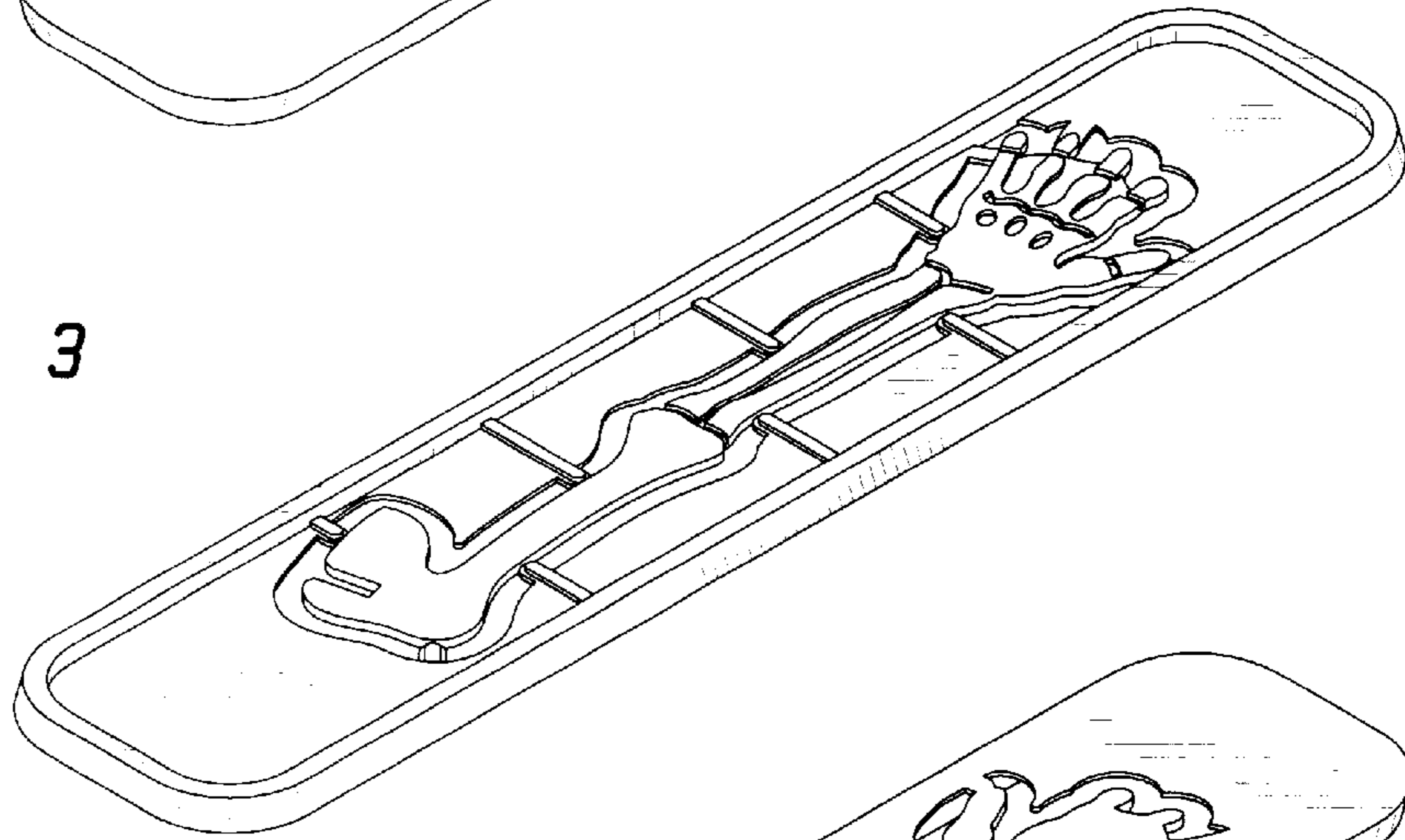


FIG. 4

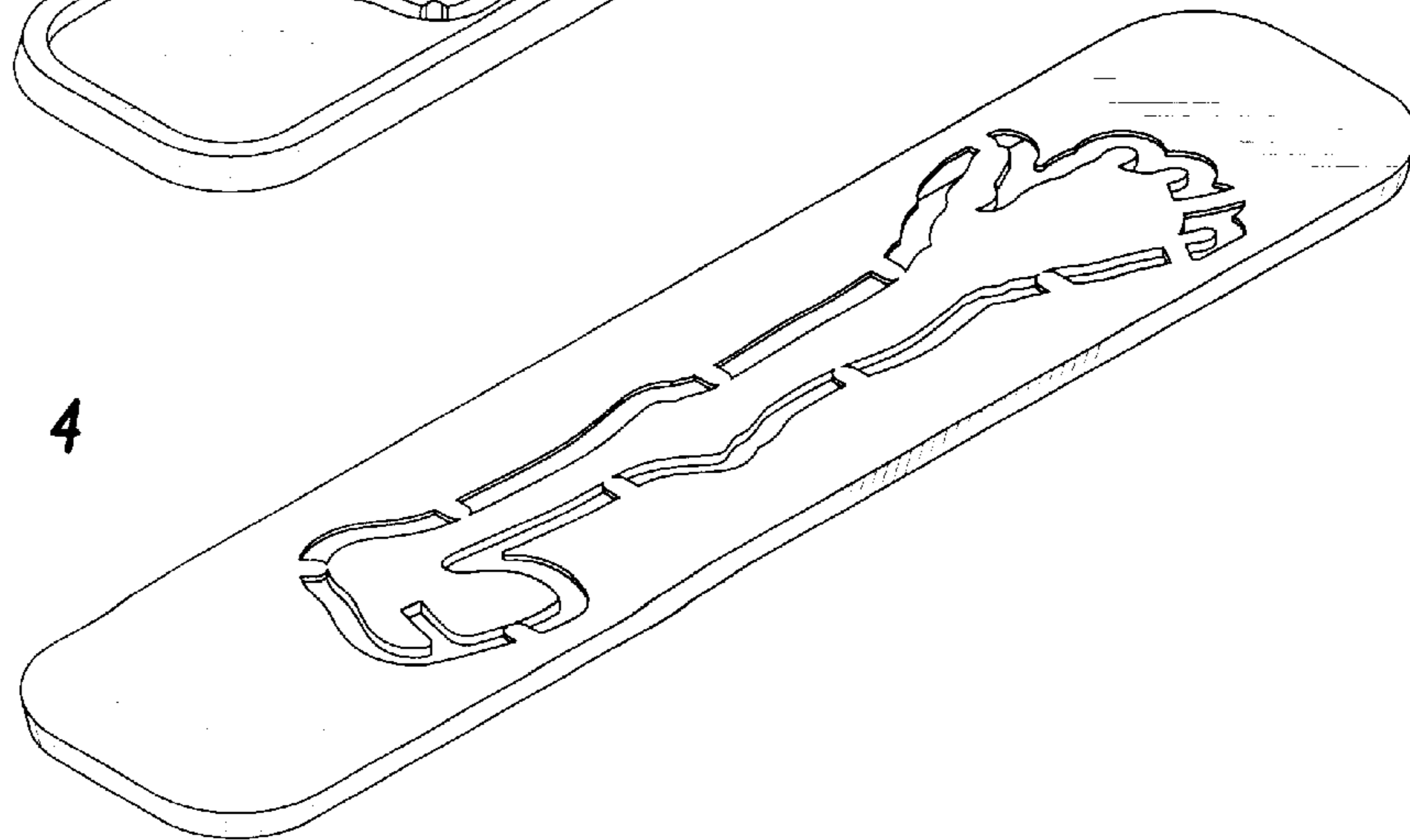


FIG. 5

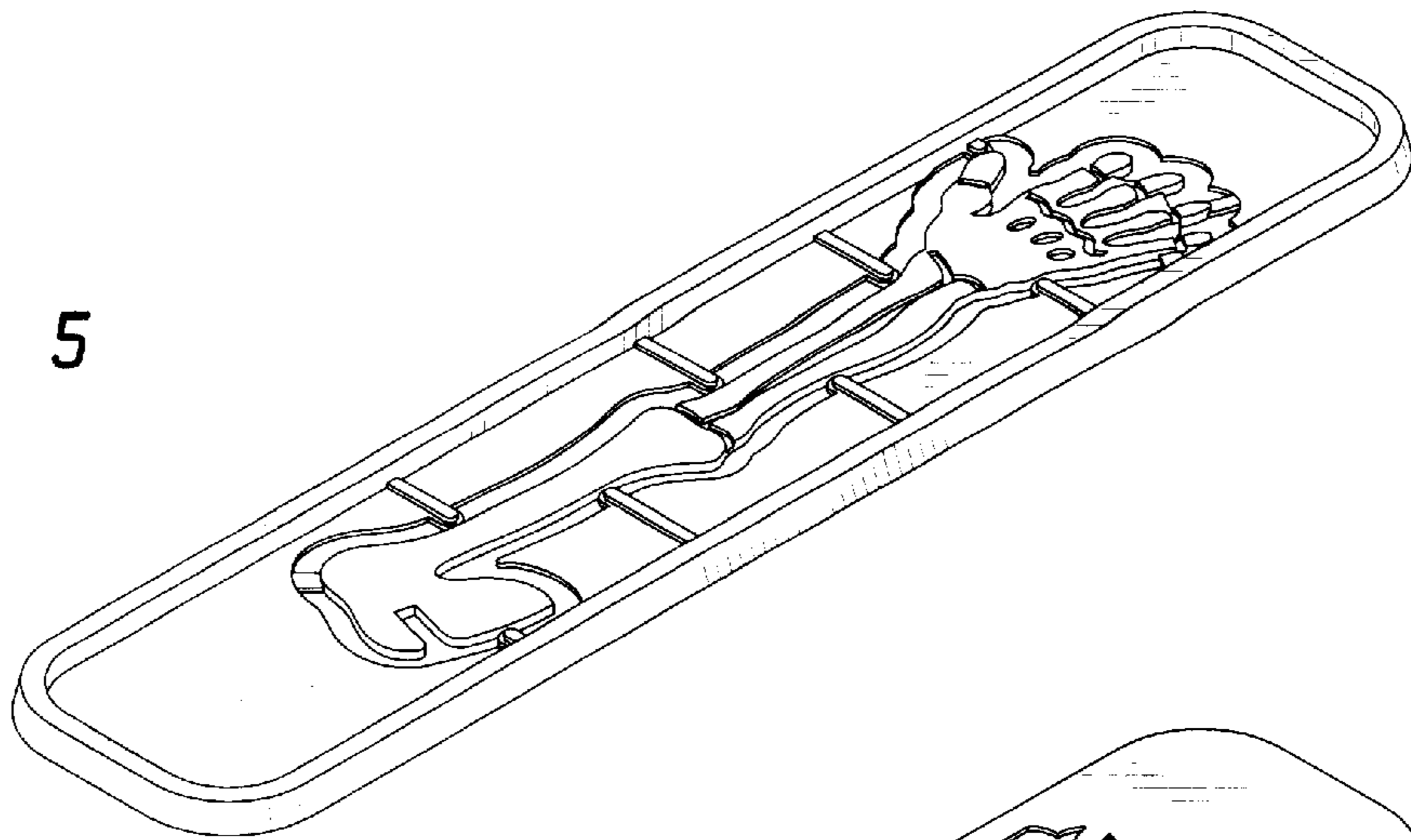


FIG. 6

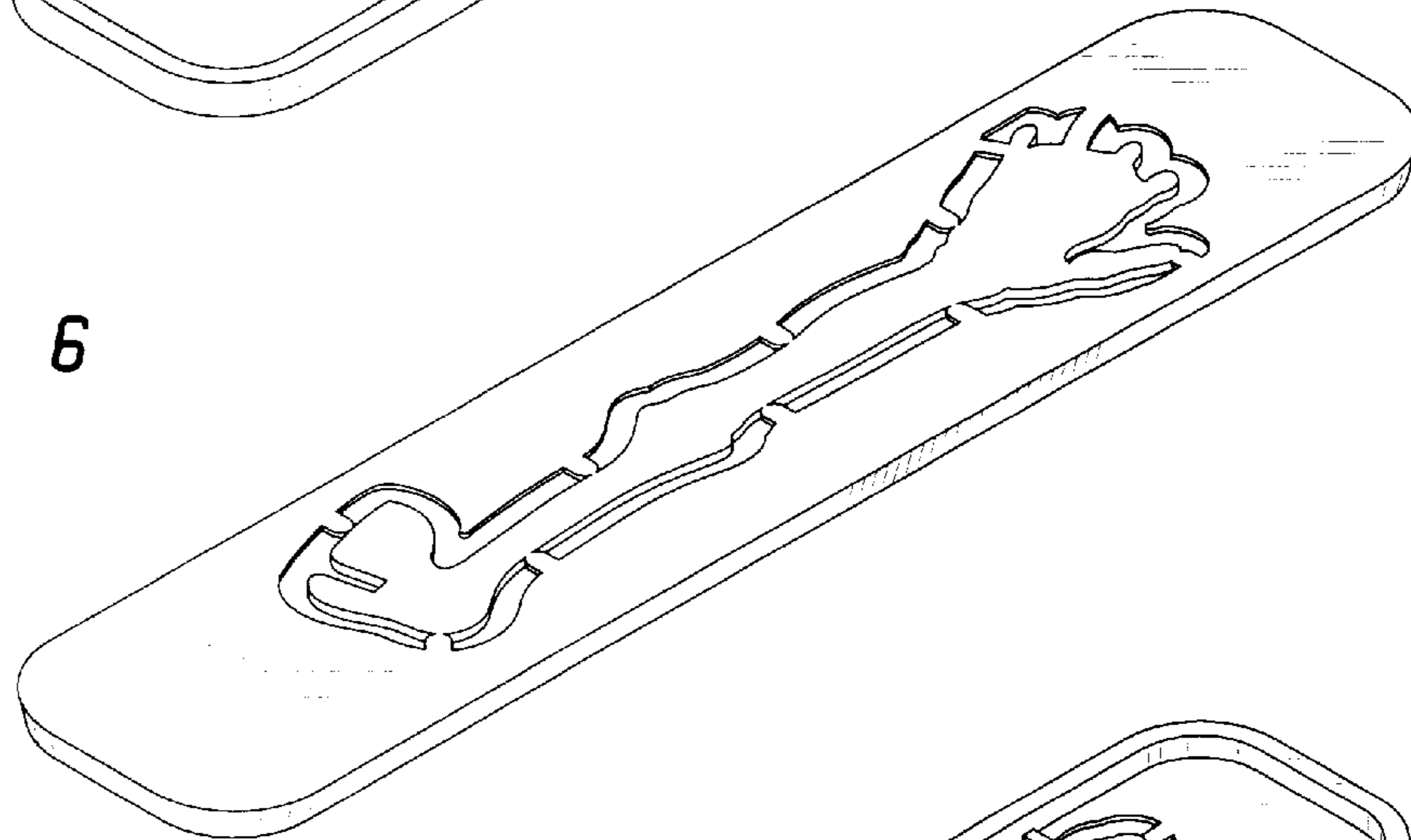


FIG. 7

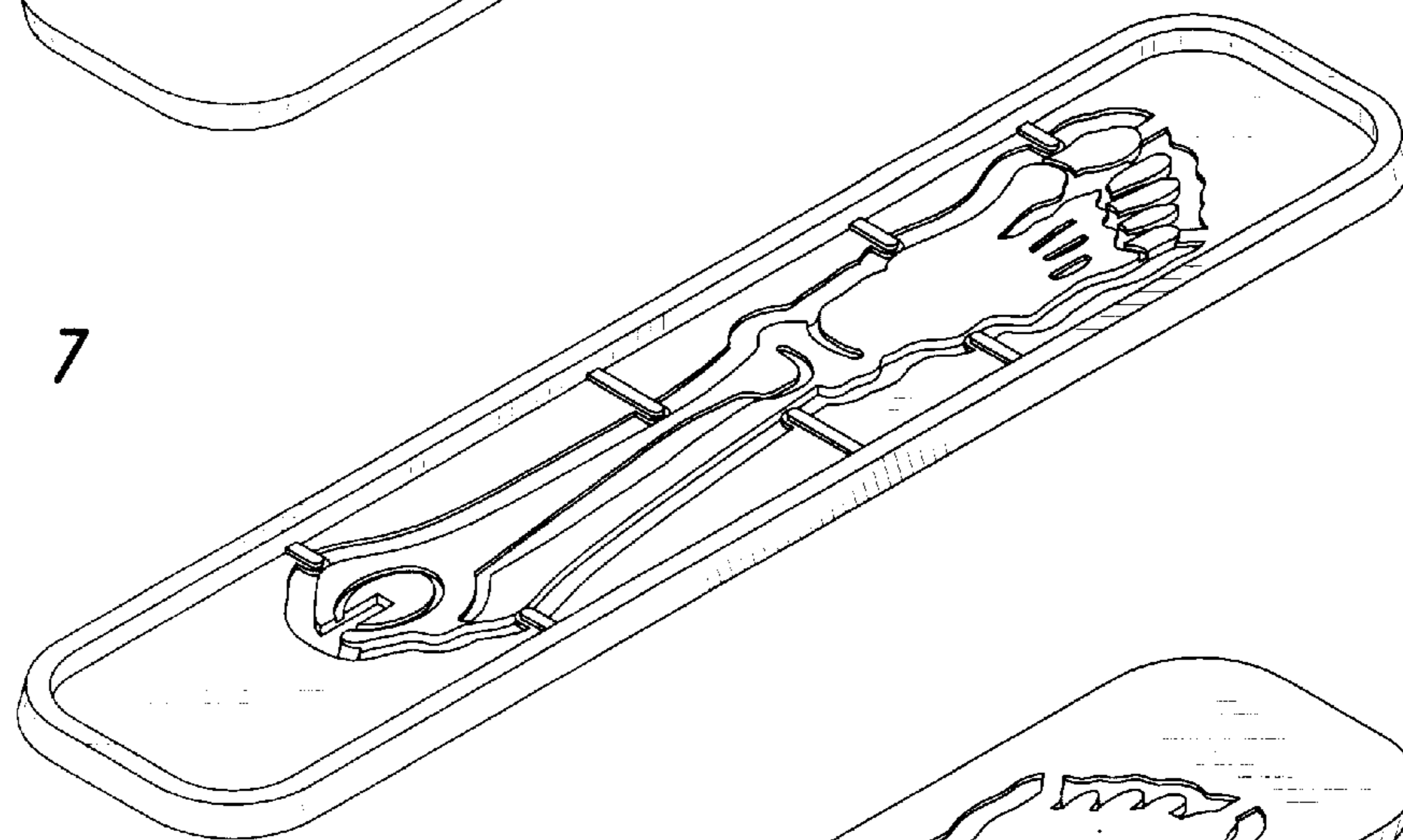


FIG. 8

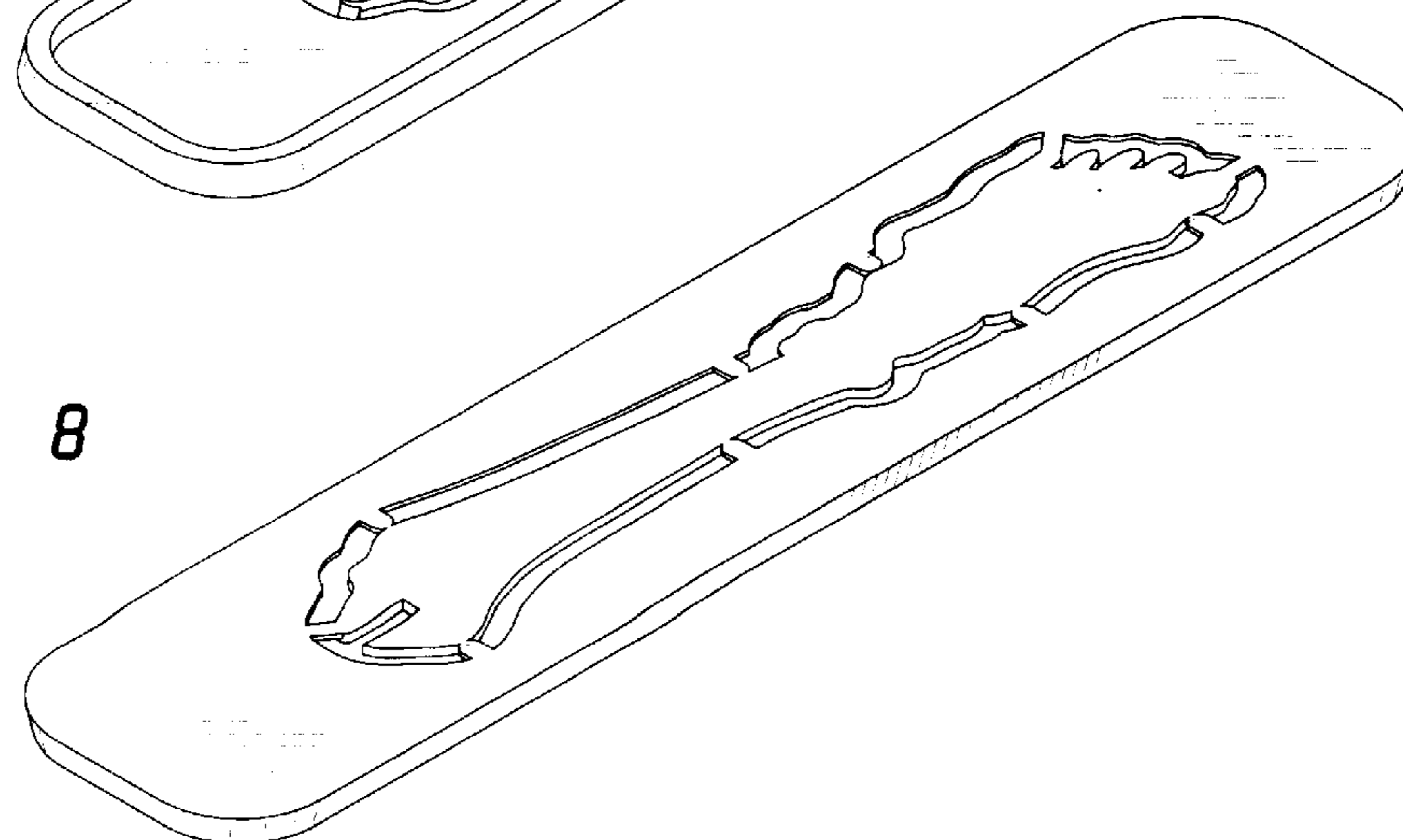


FIG. 9

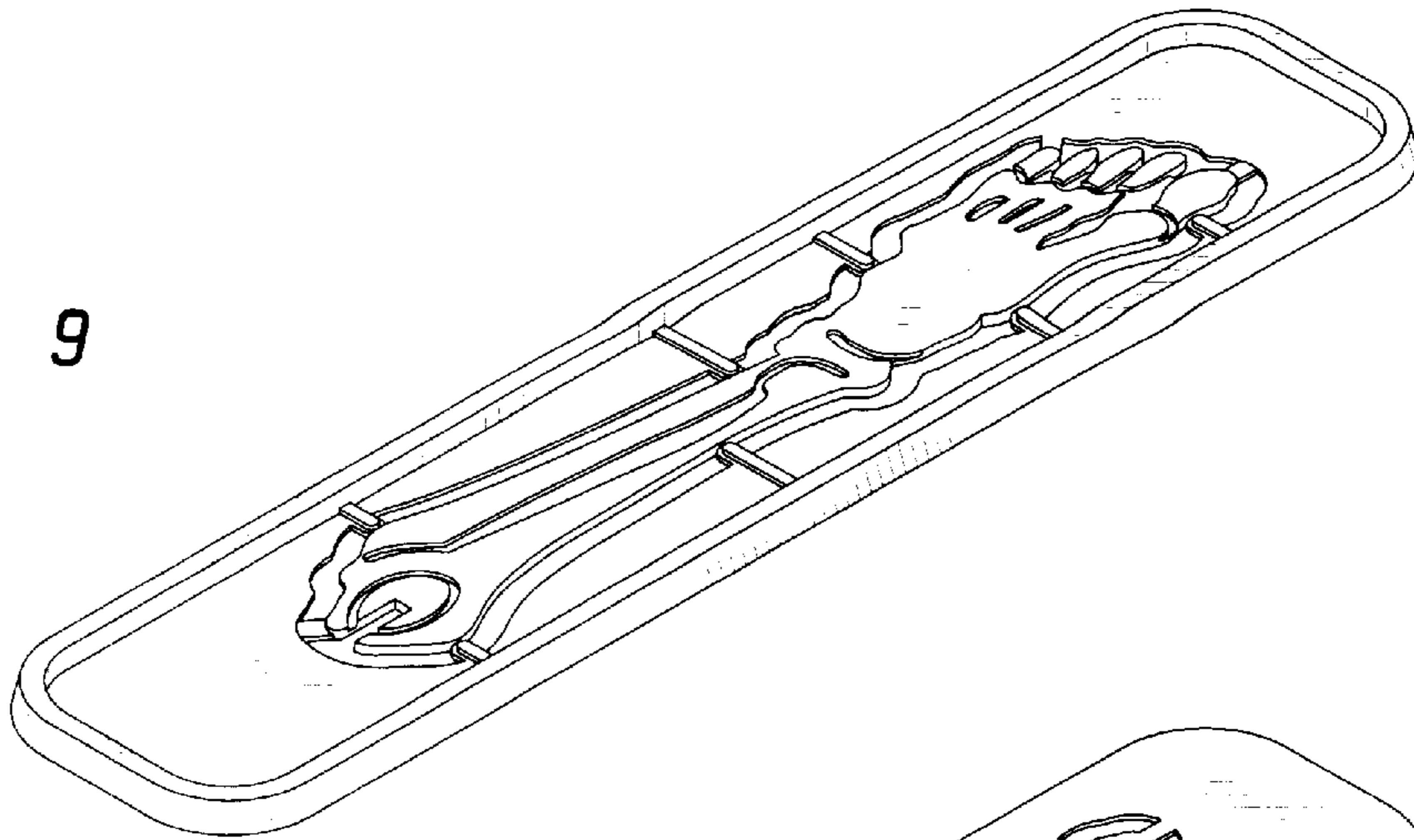


FIG. 10

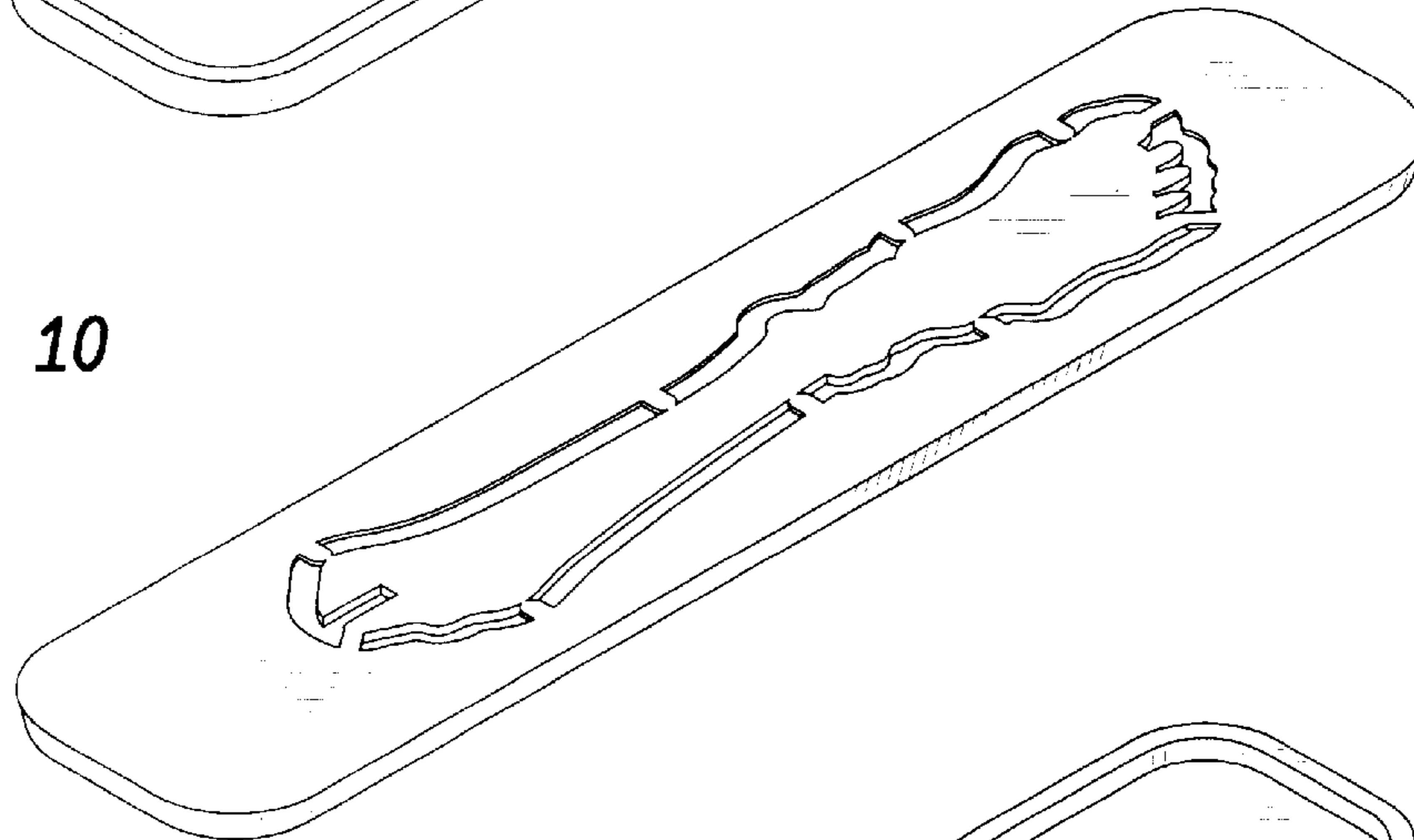


FIG. 11

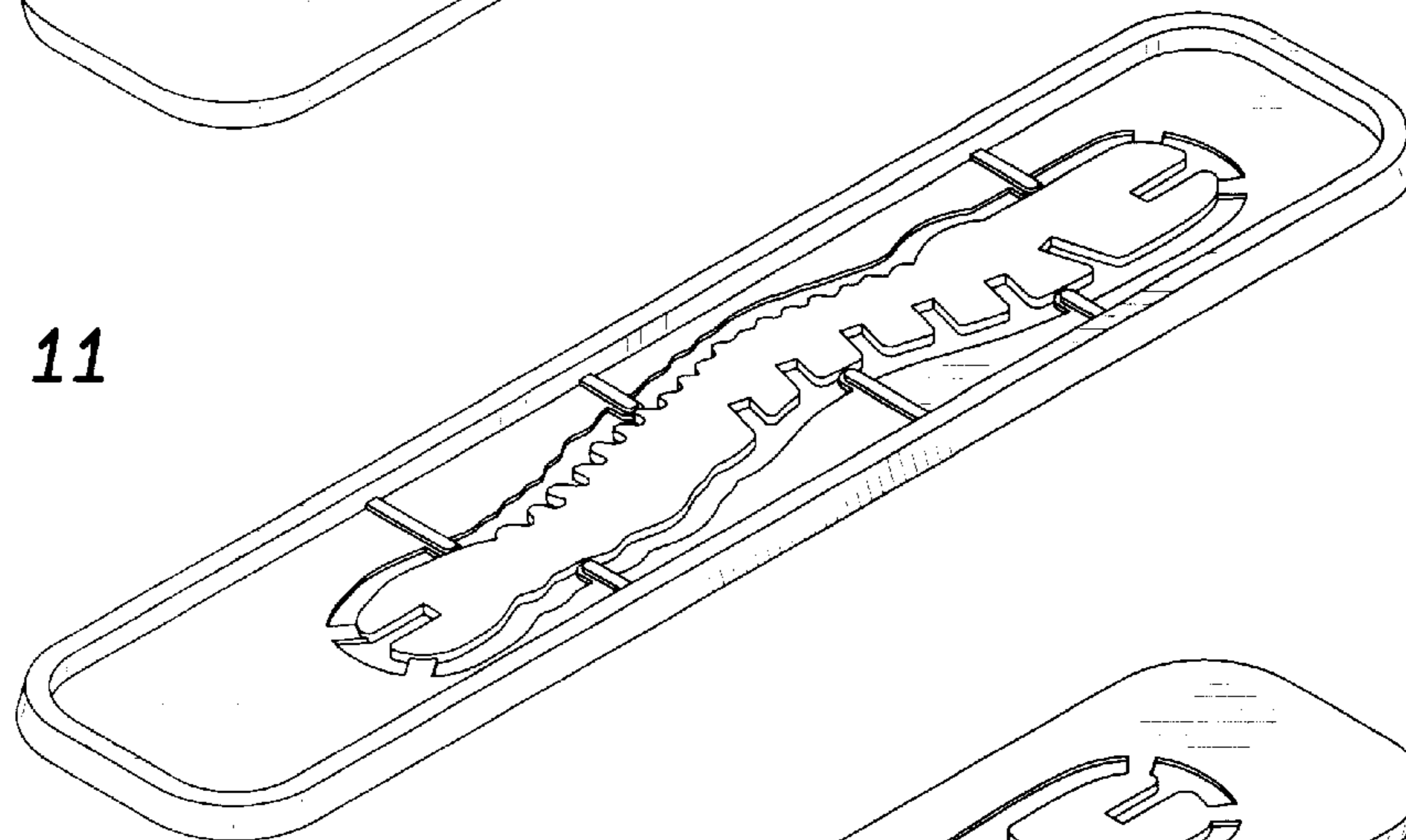


FIG. 12

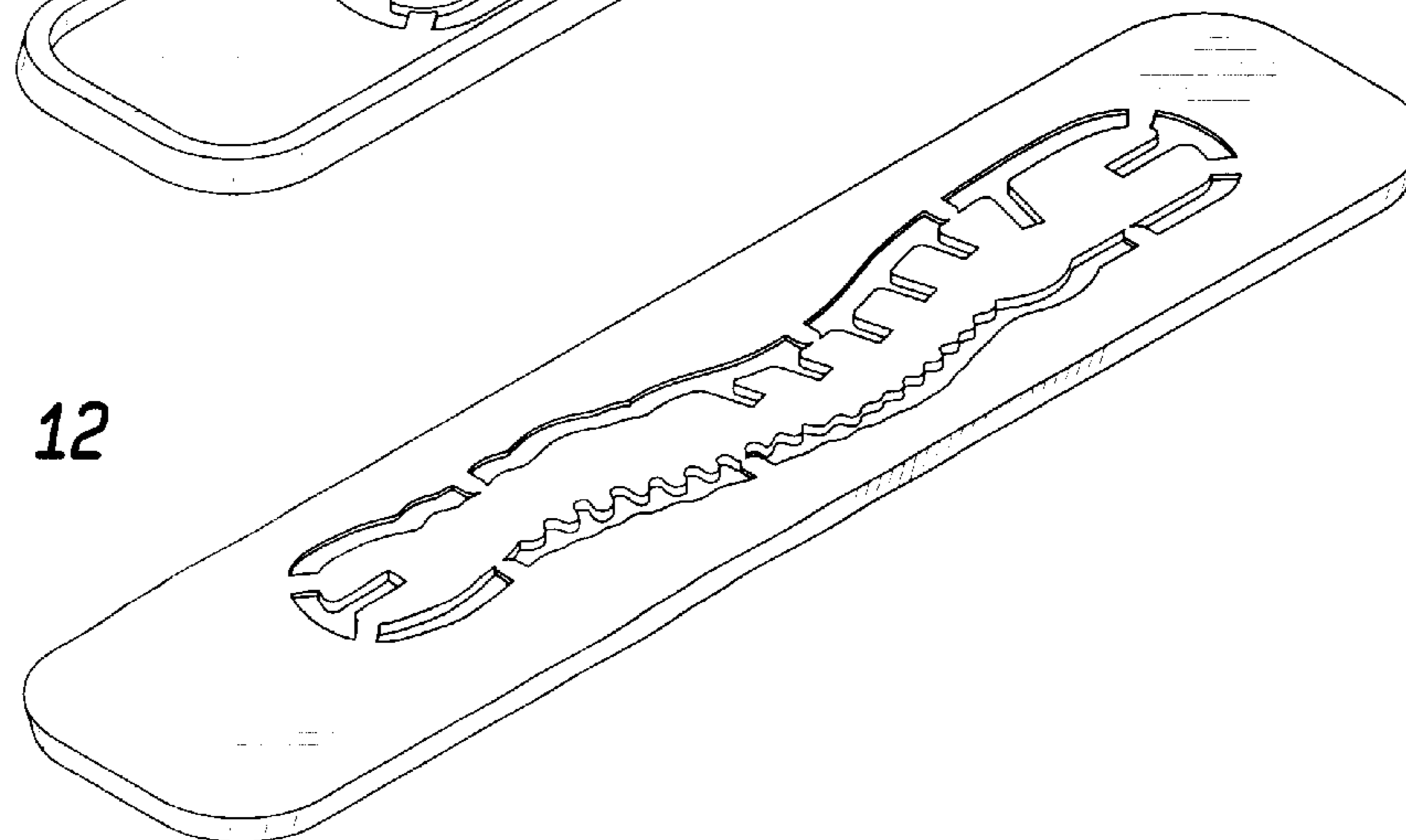


FIG. 13

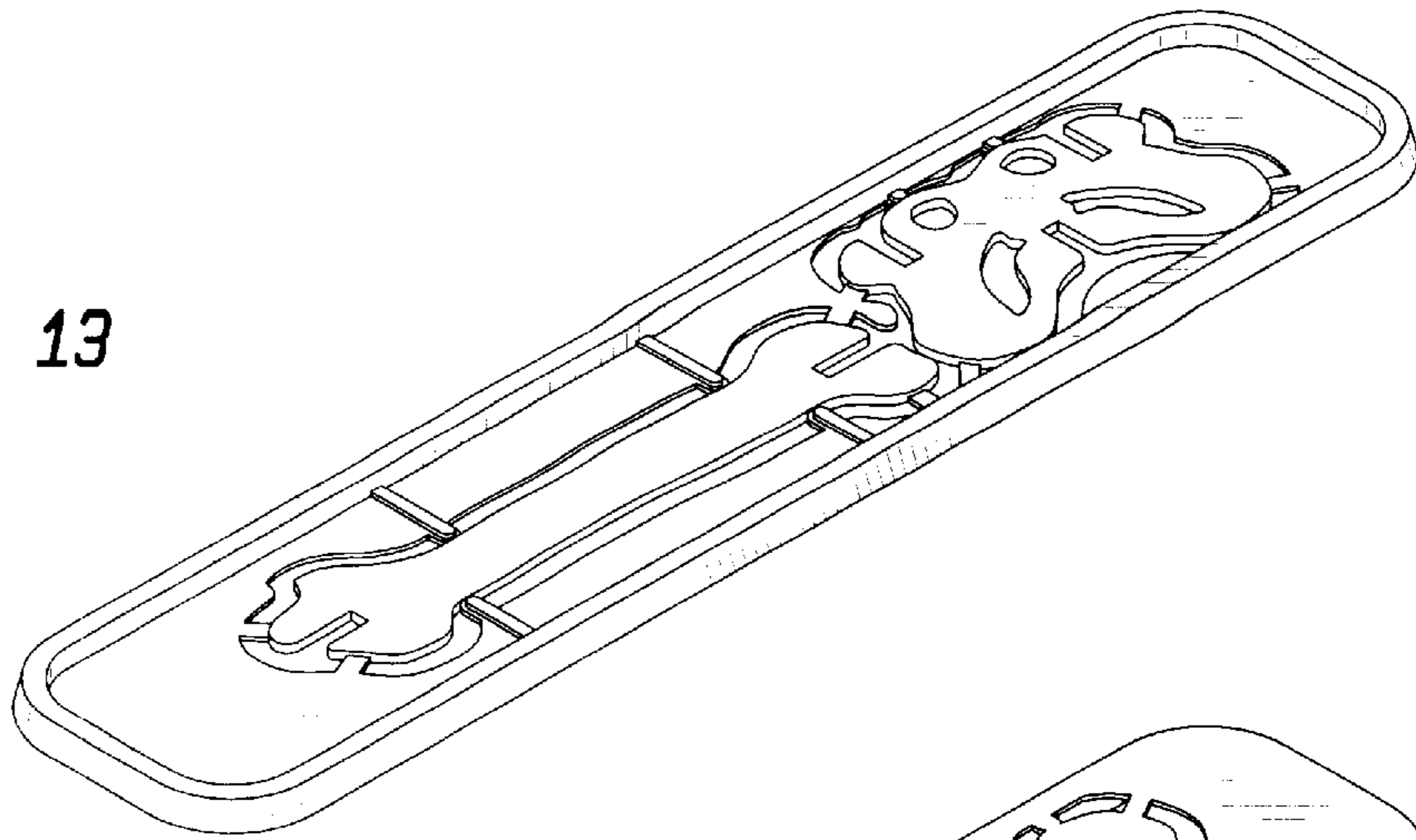


FIG. 14

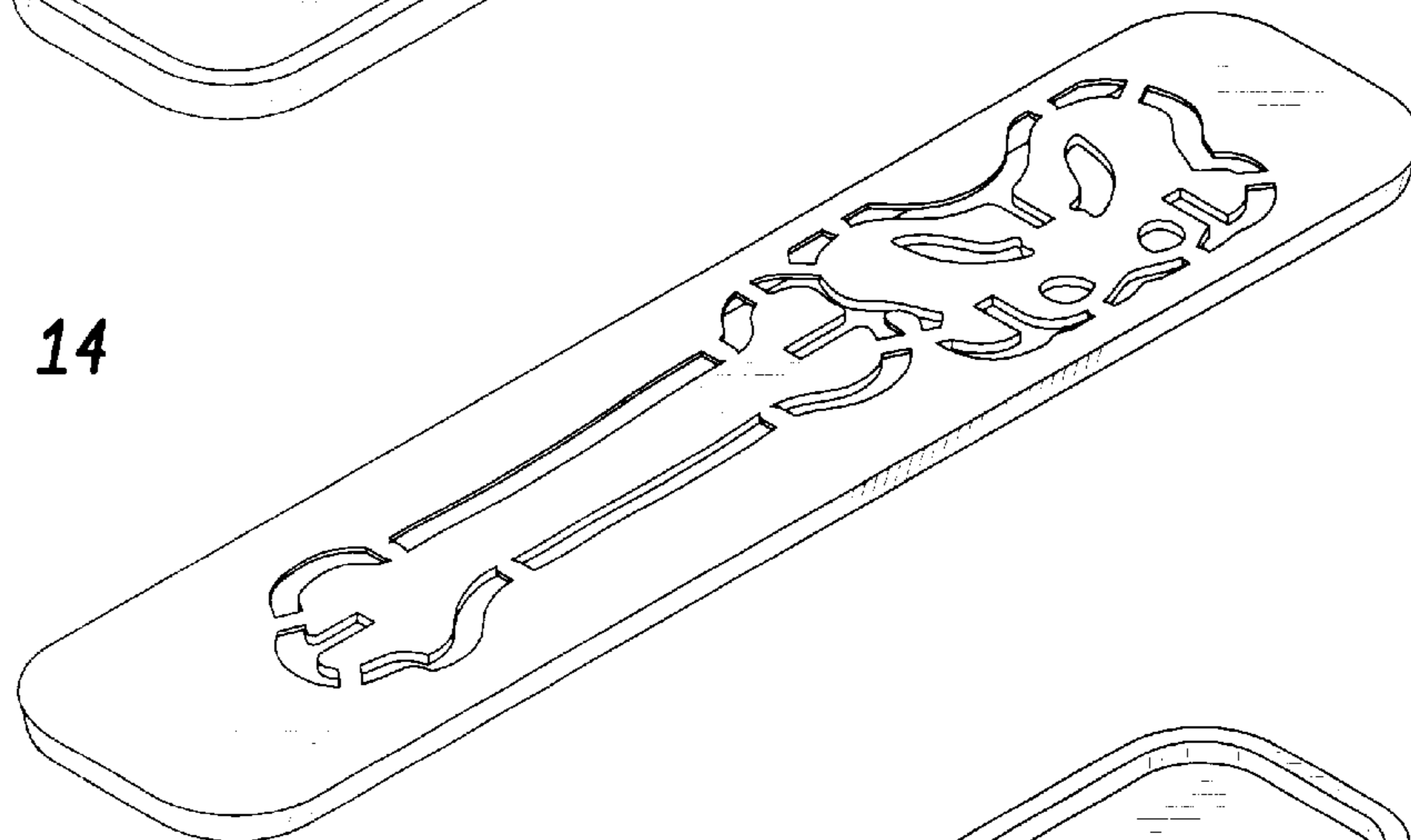


FIG. 15

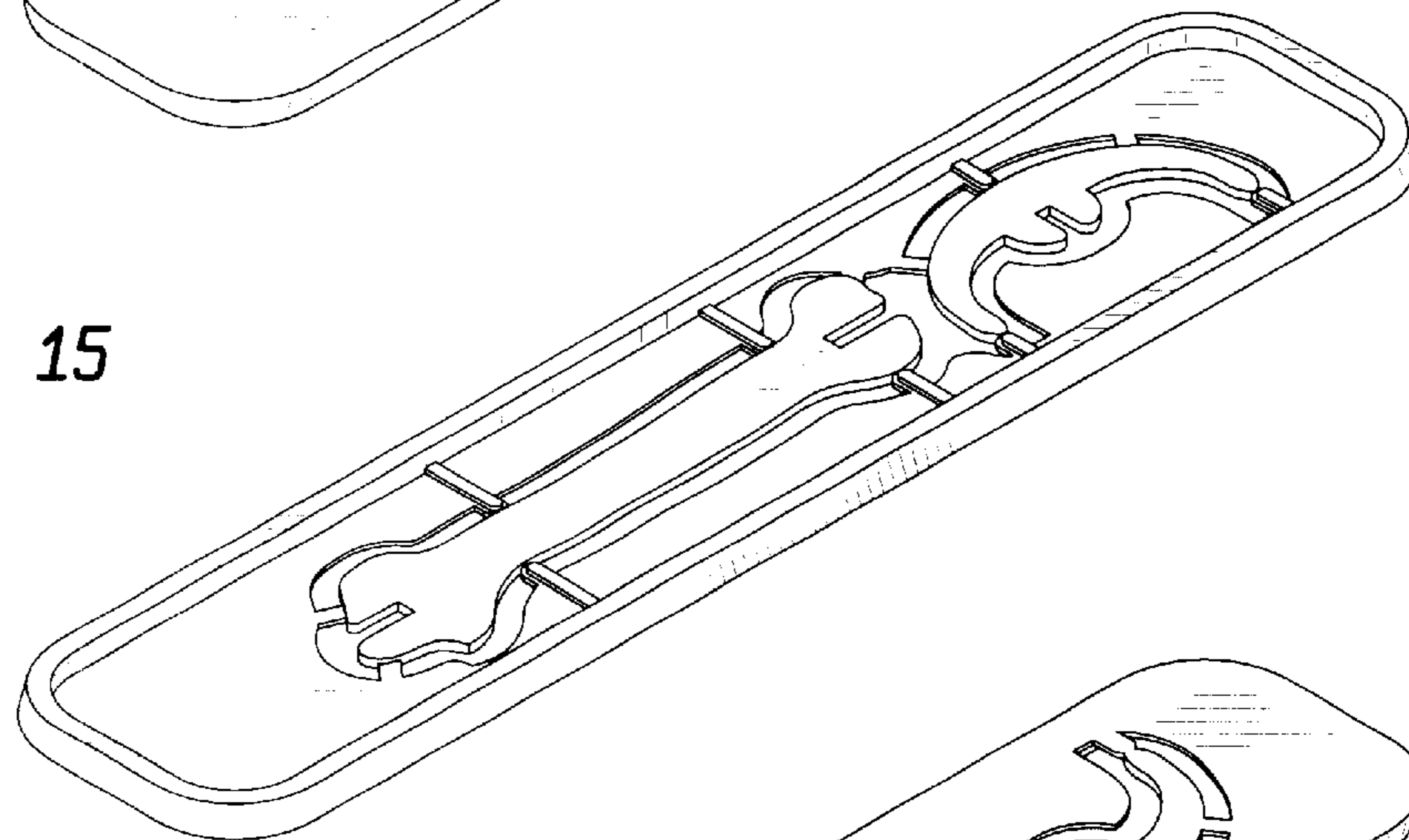


FIG. 16

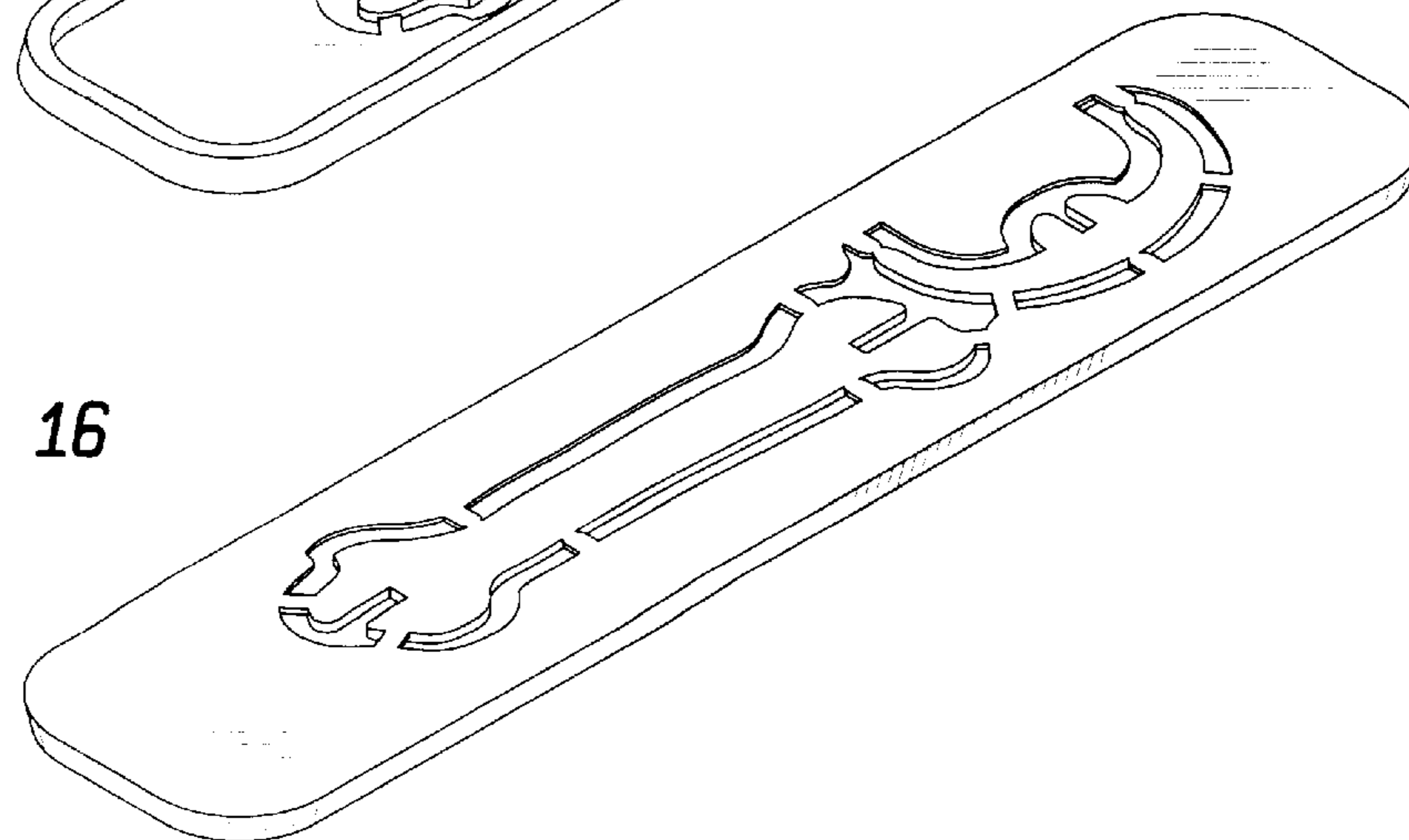


FIG. 17

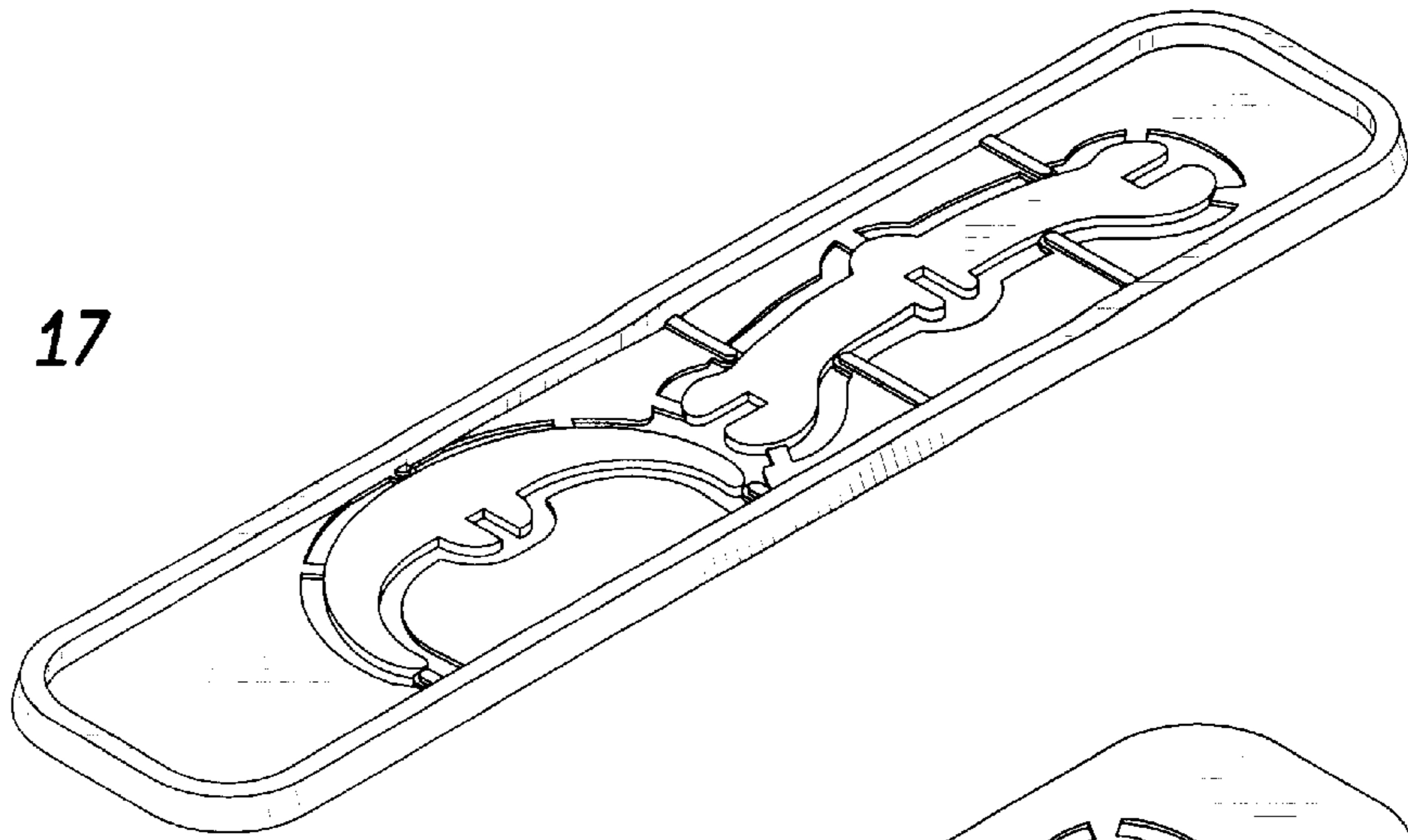


FIG. 18

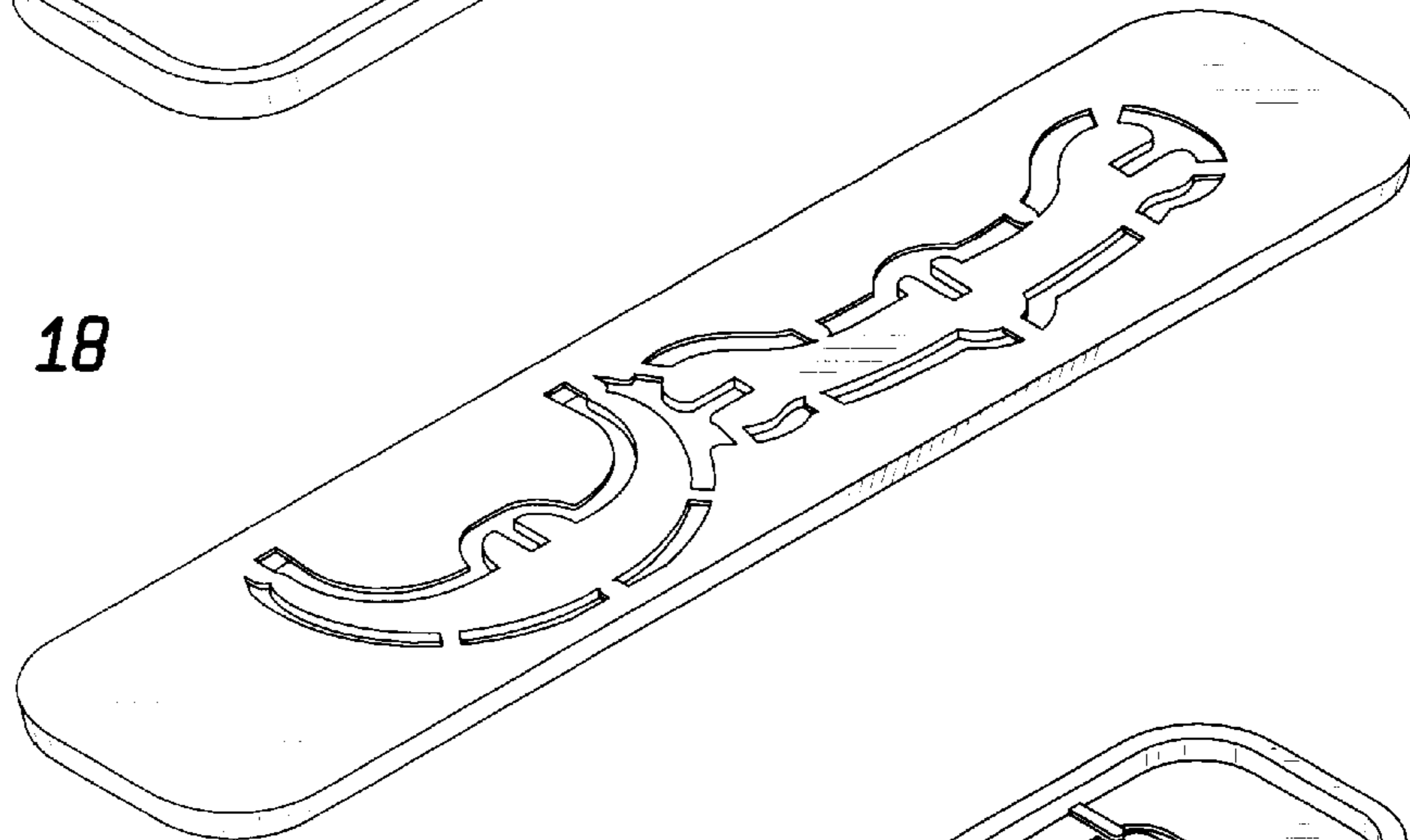


FIG. 19

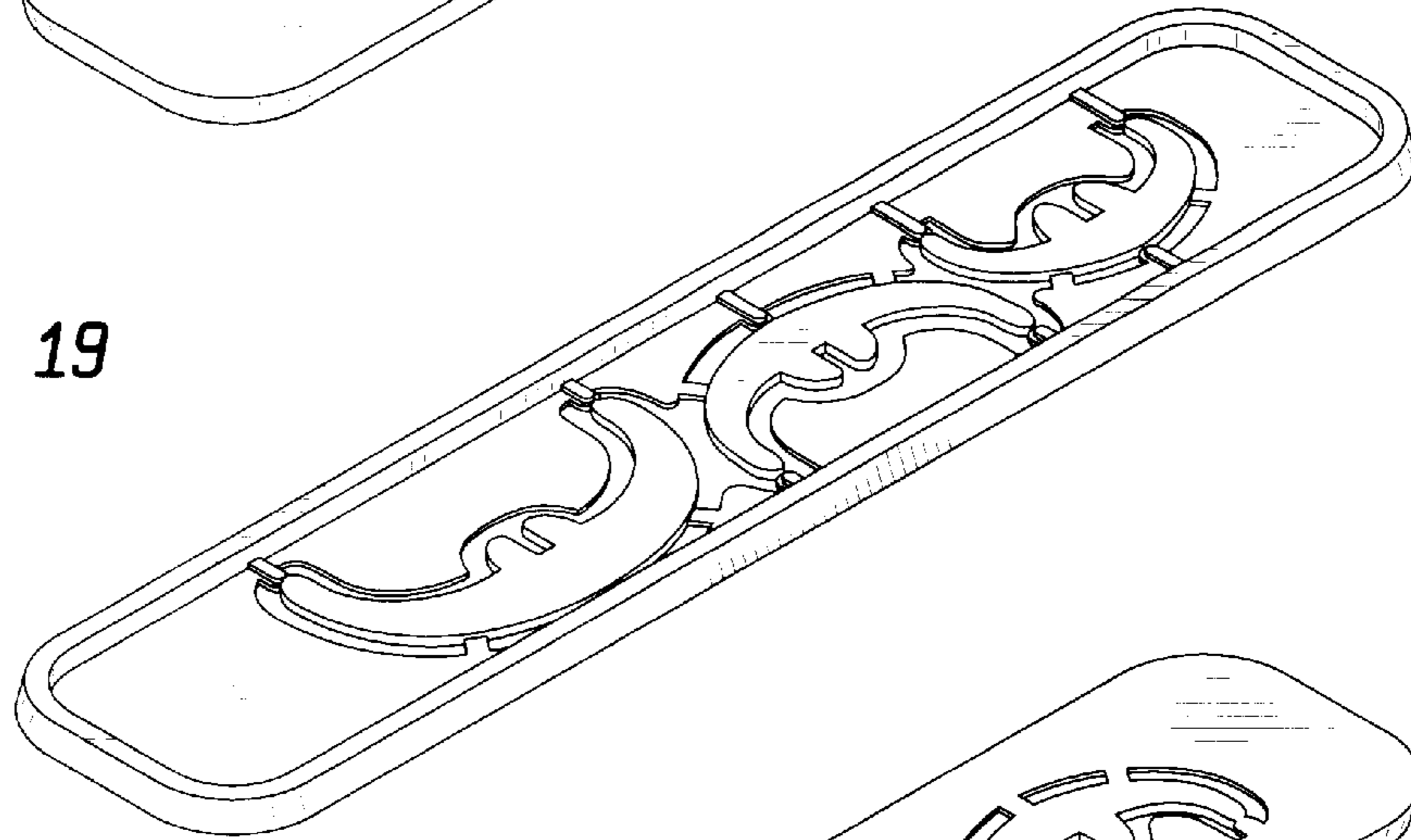


FIG. 20

