



US00D437097S

(12) **United States Design Patent**  
**Liao**

(10) **Patent No.:** **US D437,097 S**

(45) **Date of Patent:** **\*\* Jan. 30, 2001**

(54) **GOLF CART**

6,120,053 \* 9/2000 DeAngelis ..... 280/641

(75) Inventor: **Gordon Liao, Yung Kang (TW)**

\* cited by examiner

(73) Assignee: **Unique Product & Design Co., Ltd.,  
Tainan Hsien (TW)**

*Primary Examiner*—Kay H. Chin

(74) *Attorney, Agent, or Firm*—Pro-Techtor International  
Services

(\*\*) Term: **14 Years**

(57) **CLAIM**

(21) Appl. No.: **29/120,611**

The ornamental design for a golf cart, as shown and  
described.

(22) Filed: **Mar. 22, 2000**

**DESCRIPTION**

(51) **LOC (7) Cl.** ..... **12-02**

(52) **U.S. Cl.** ..... **D34/15**

(58) **Field of Search** ..... D34/12-27; 280/DIG. 5,  
280/DIG. 6; 180/19.3, 19.1, 215, 216, 907

FIG. 1 is a perspective view of a golf cart showing my new  
design;

FIG. 2 is a right side elevational view thereof;

FIG. 3 is a top plan view thereof;

FIG. 4 is a front elevational view thereof;

FIG. 5 is a bottom plan view thereof;

FIG. 6 is a left side elevational view thereof;

FIG. 7 is a rear elevational view thereof; and,

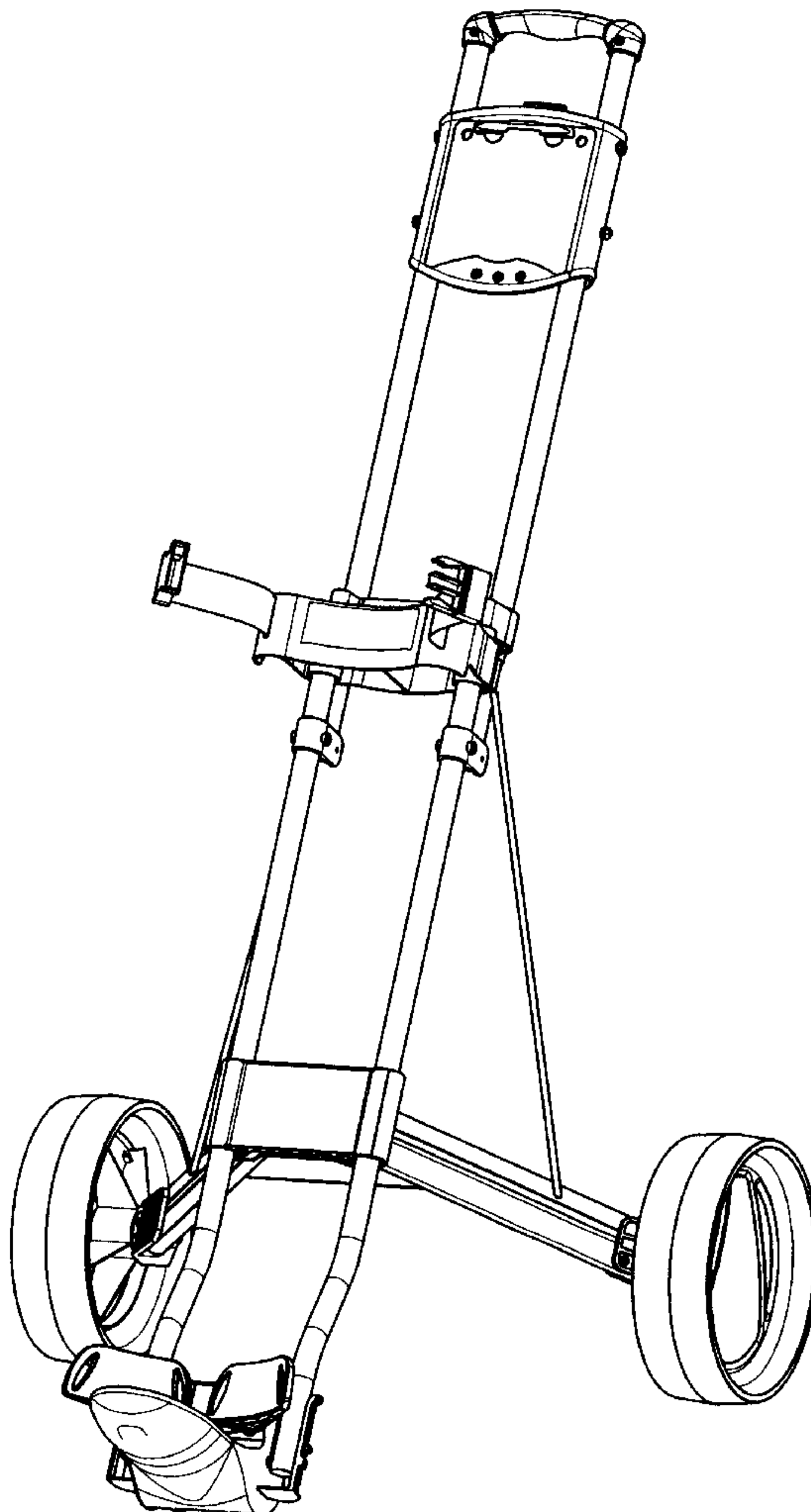
FIG. 8 is a perspective view thereof in its folded condition.

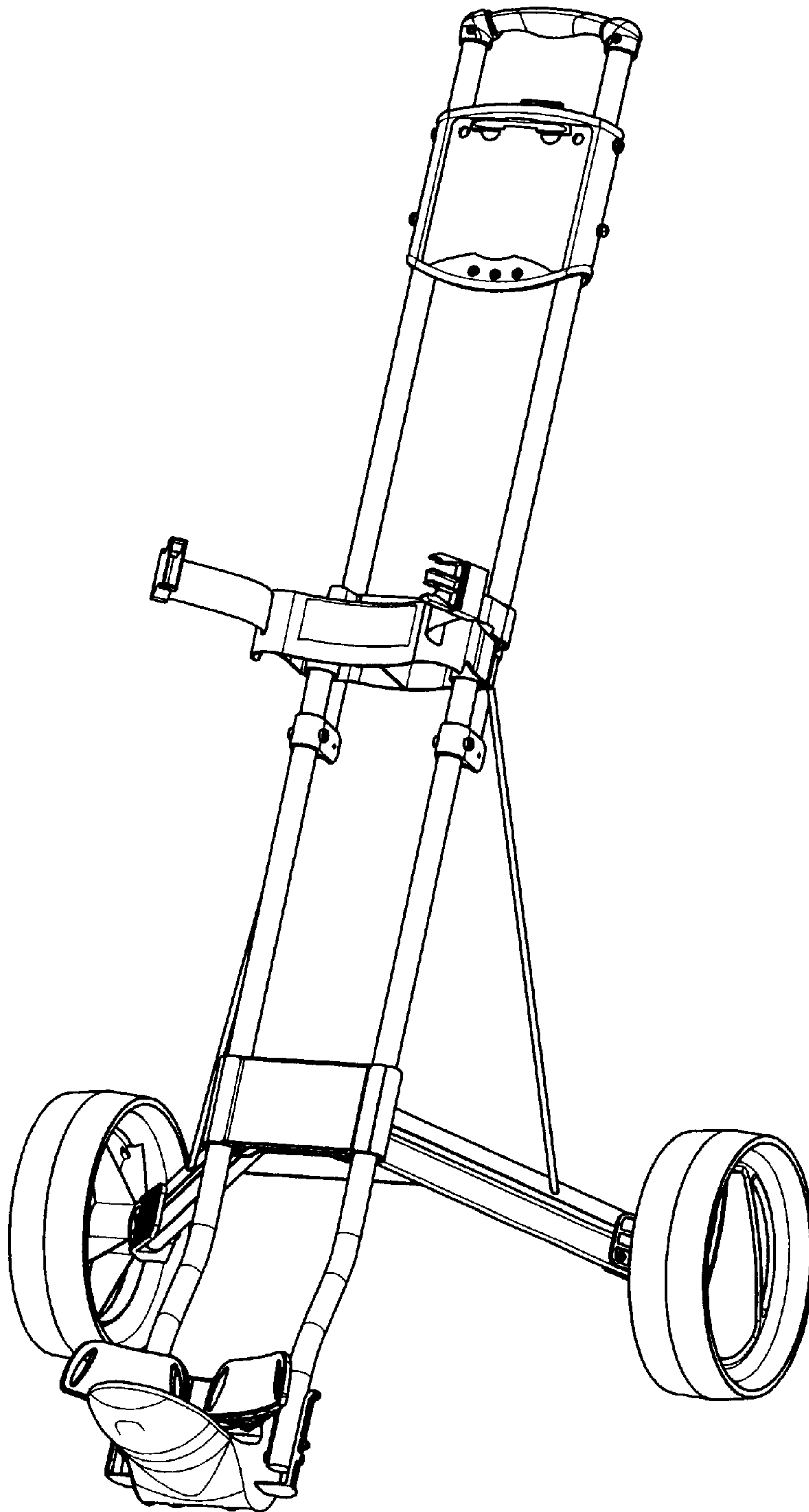
(56) **References Cited**

**U.S. PATENT DOCUMENTS**

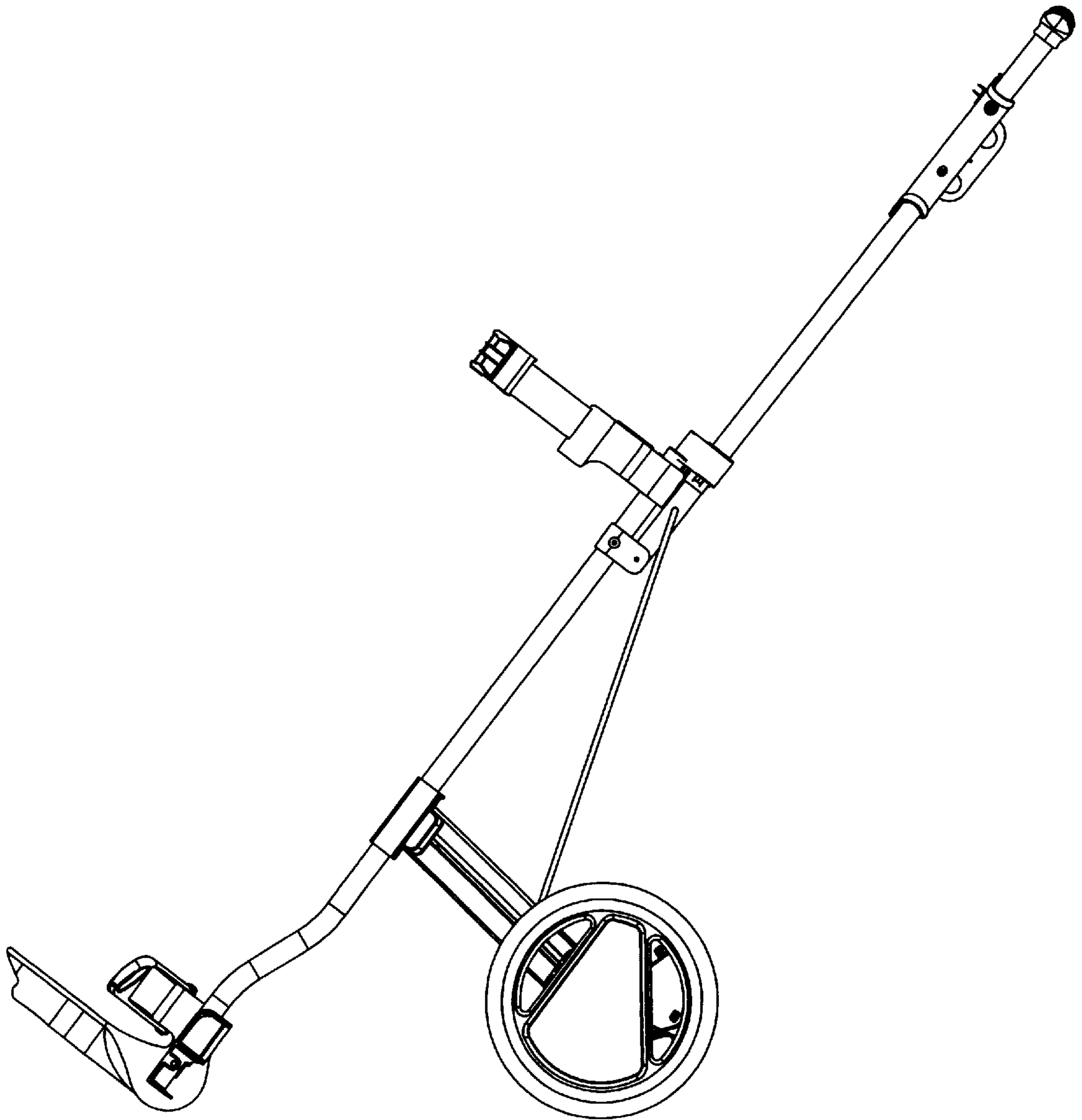
- D. 423,746 \* 4/2000 Liao ..... D34/15
- 5,427,403 \* 6/1995 Hsiao ..... 280/646
- 6,099,024 \* 8/2000 Liao ..... 280/655

**1 Claim, 8 Drawing Sheets**

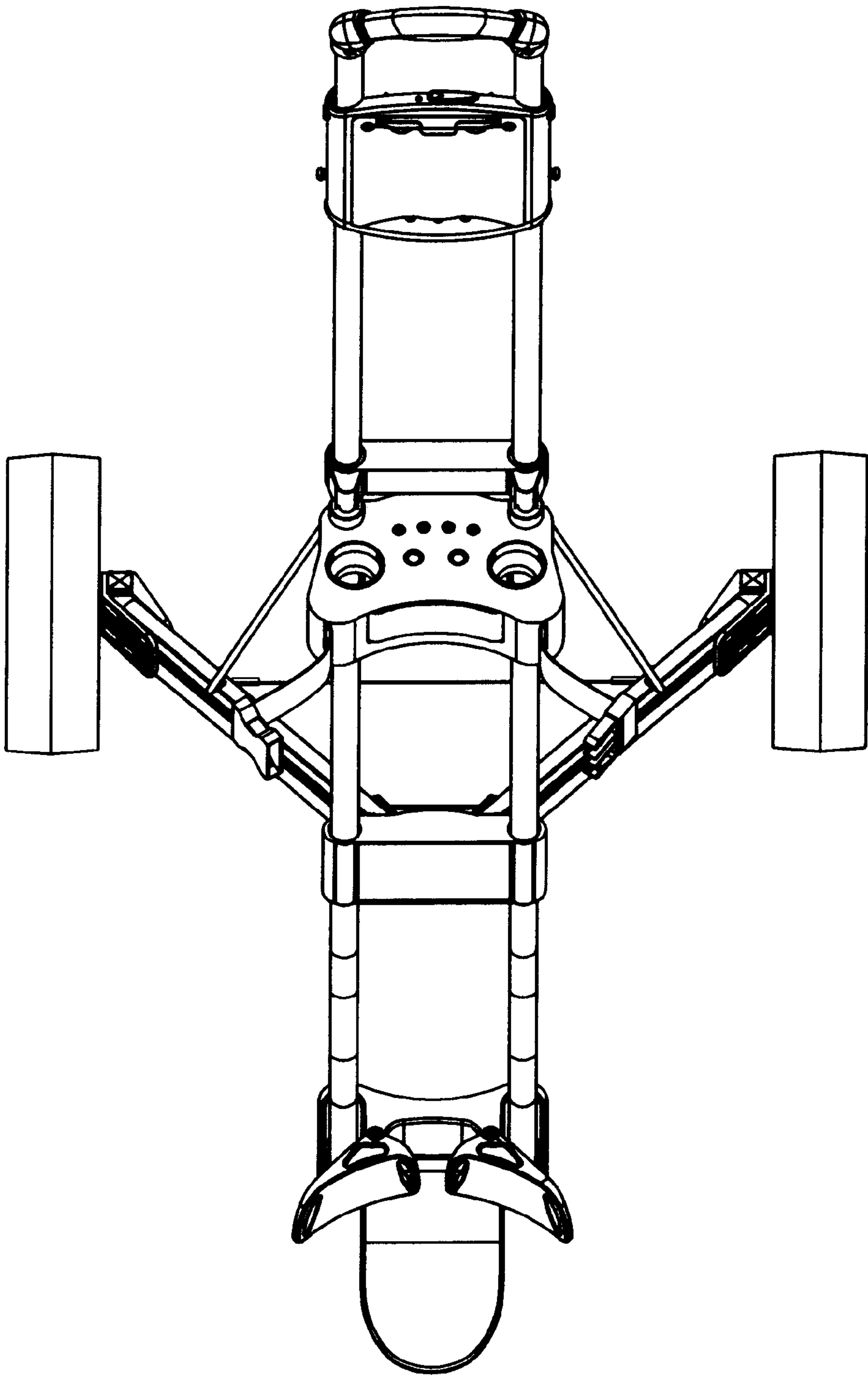




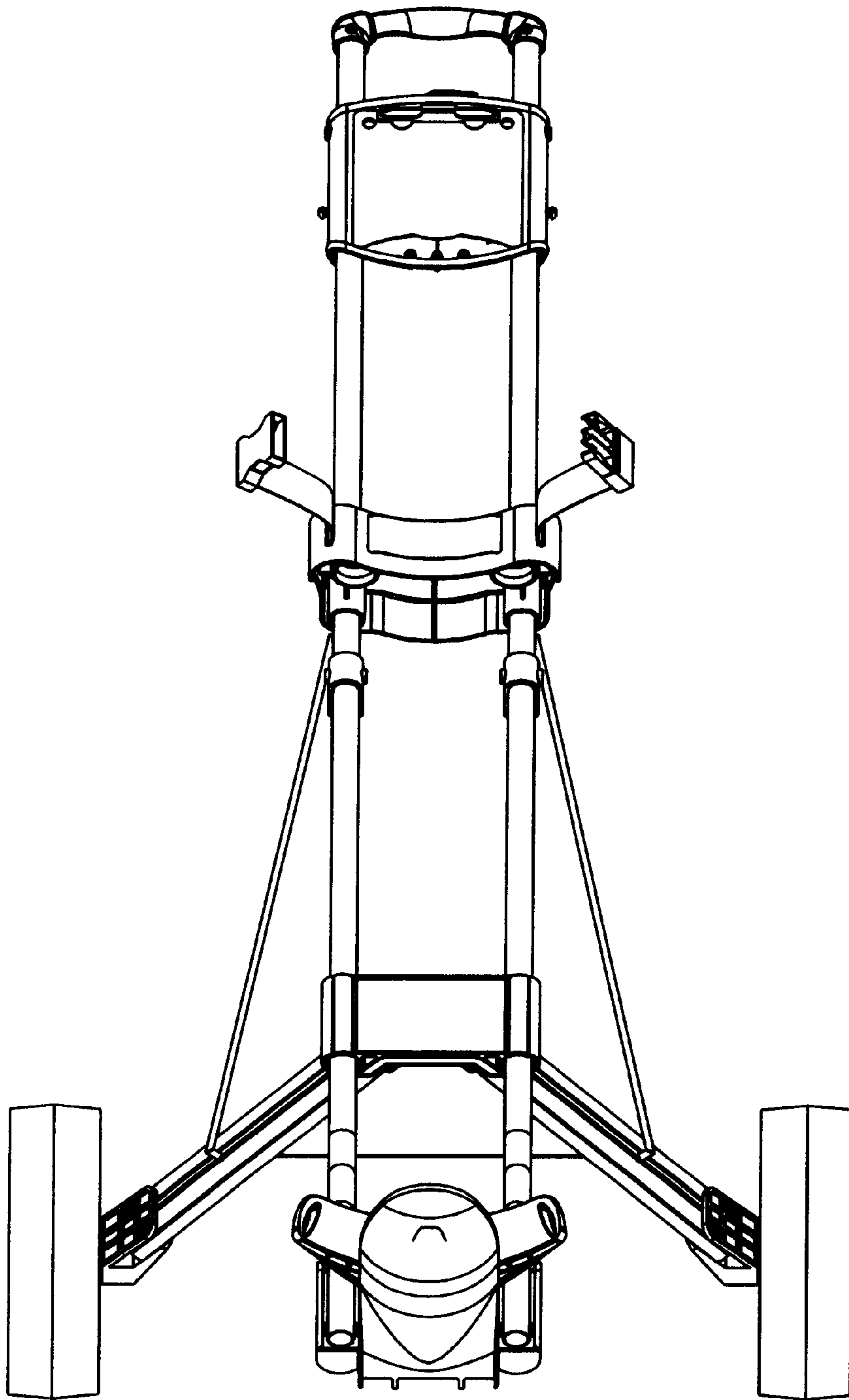
*FIG. 1*



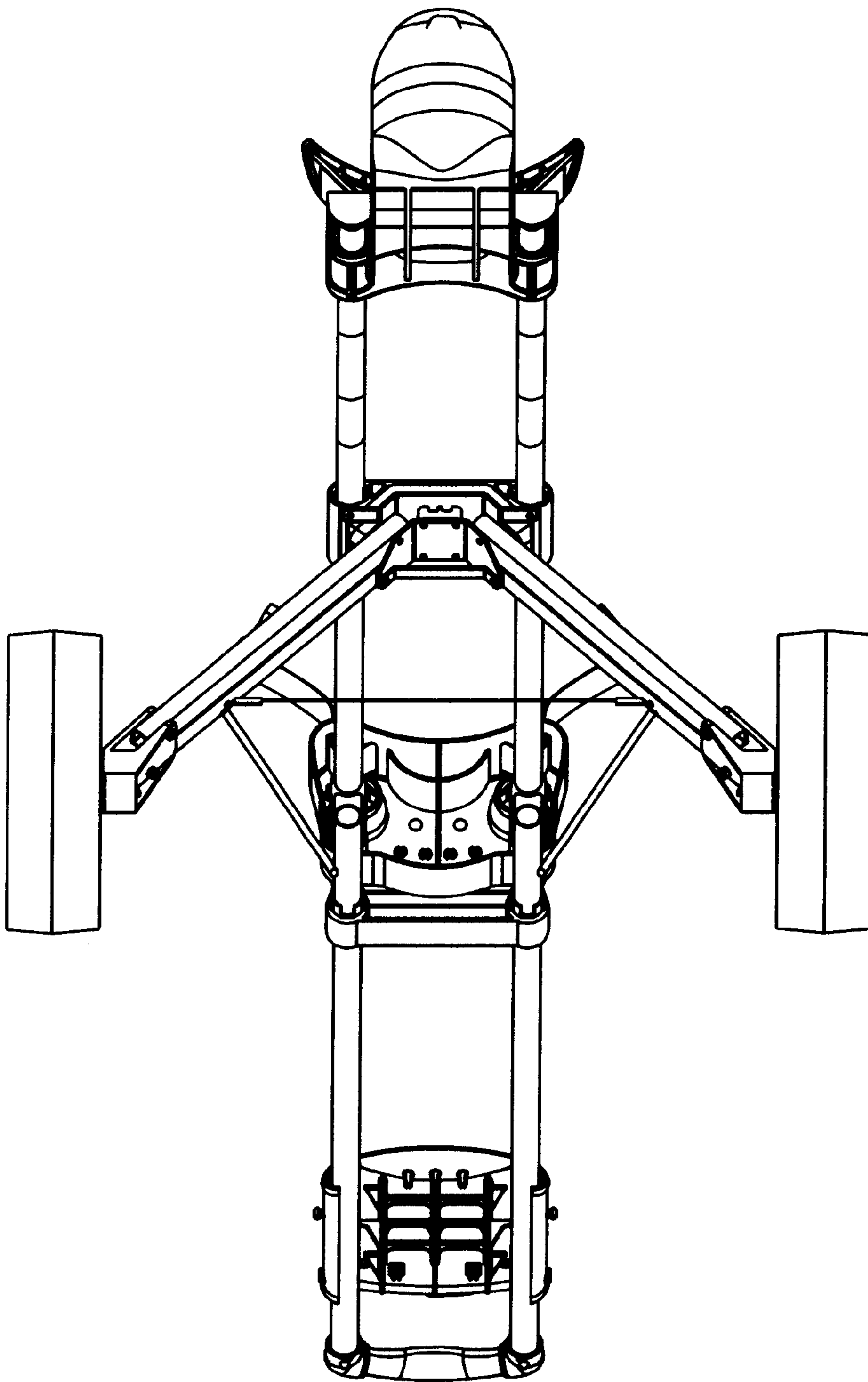
*FIG. 2*



*FIG. 3*

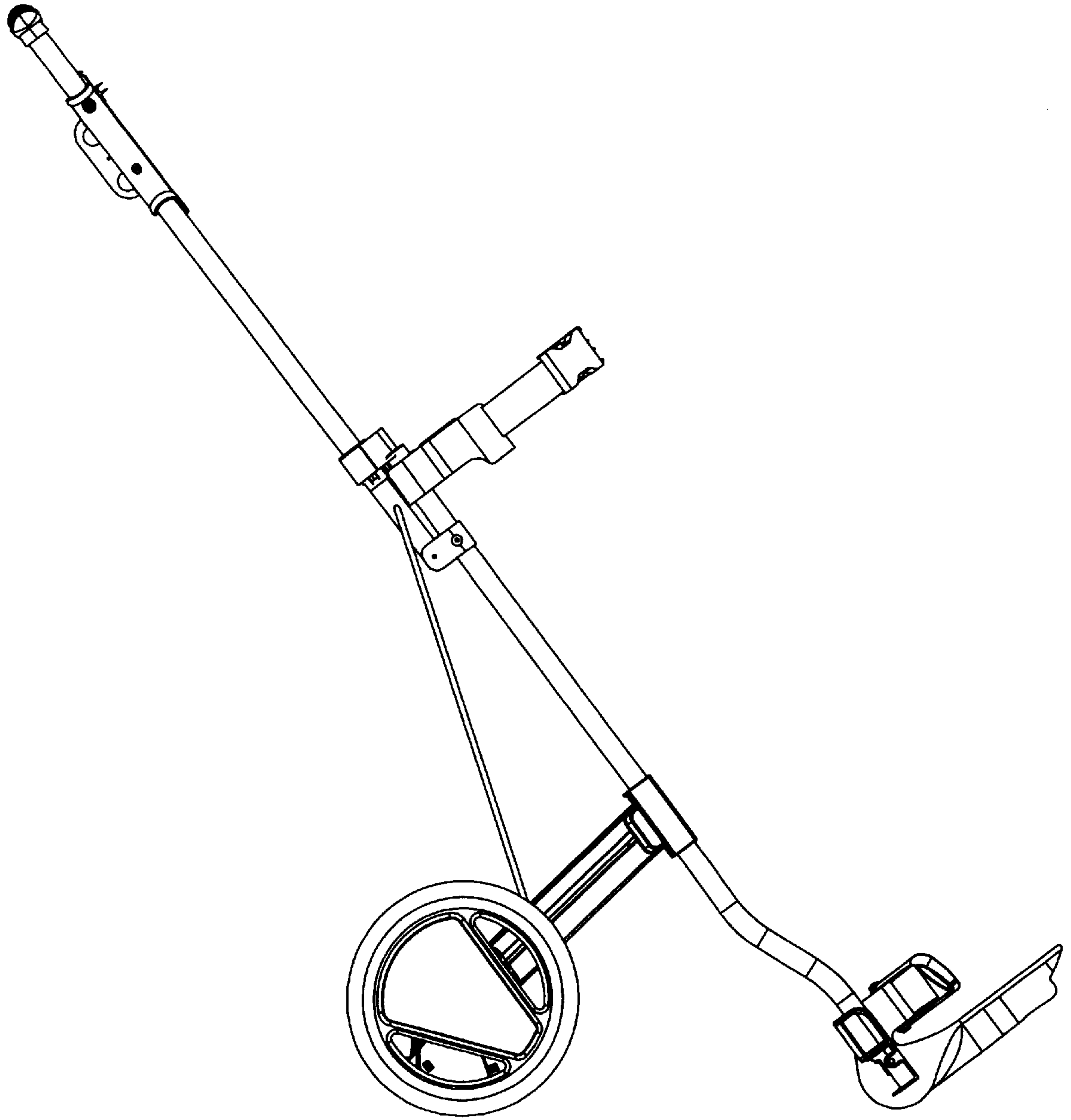


*FIG. 4*

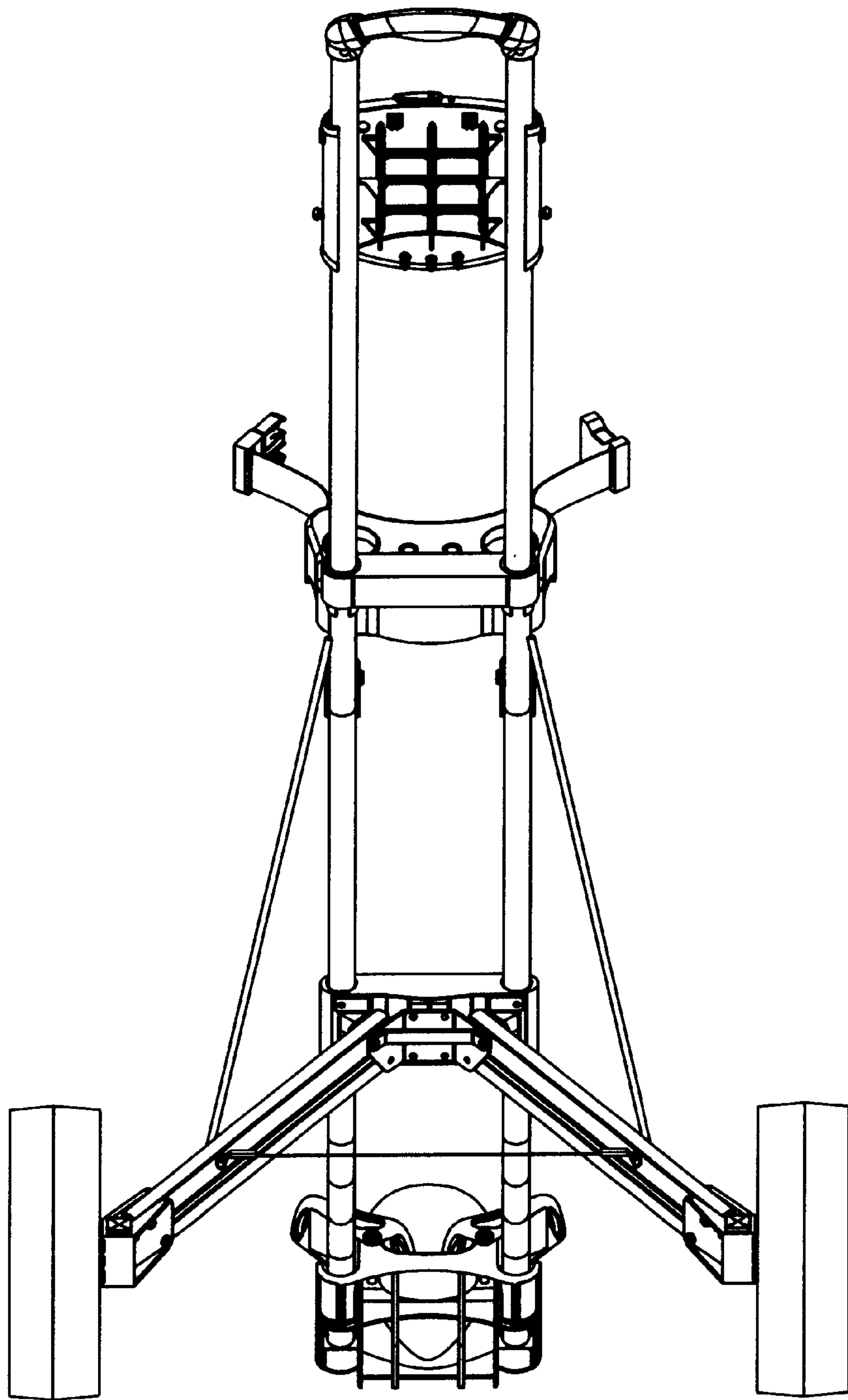


*FIG. 5*



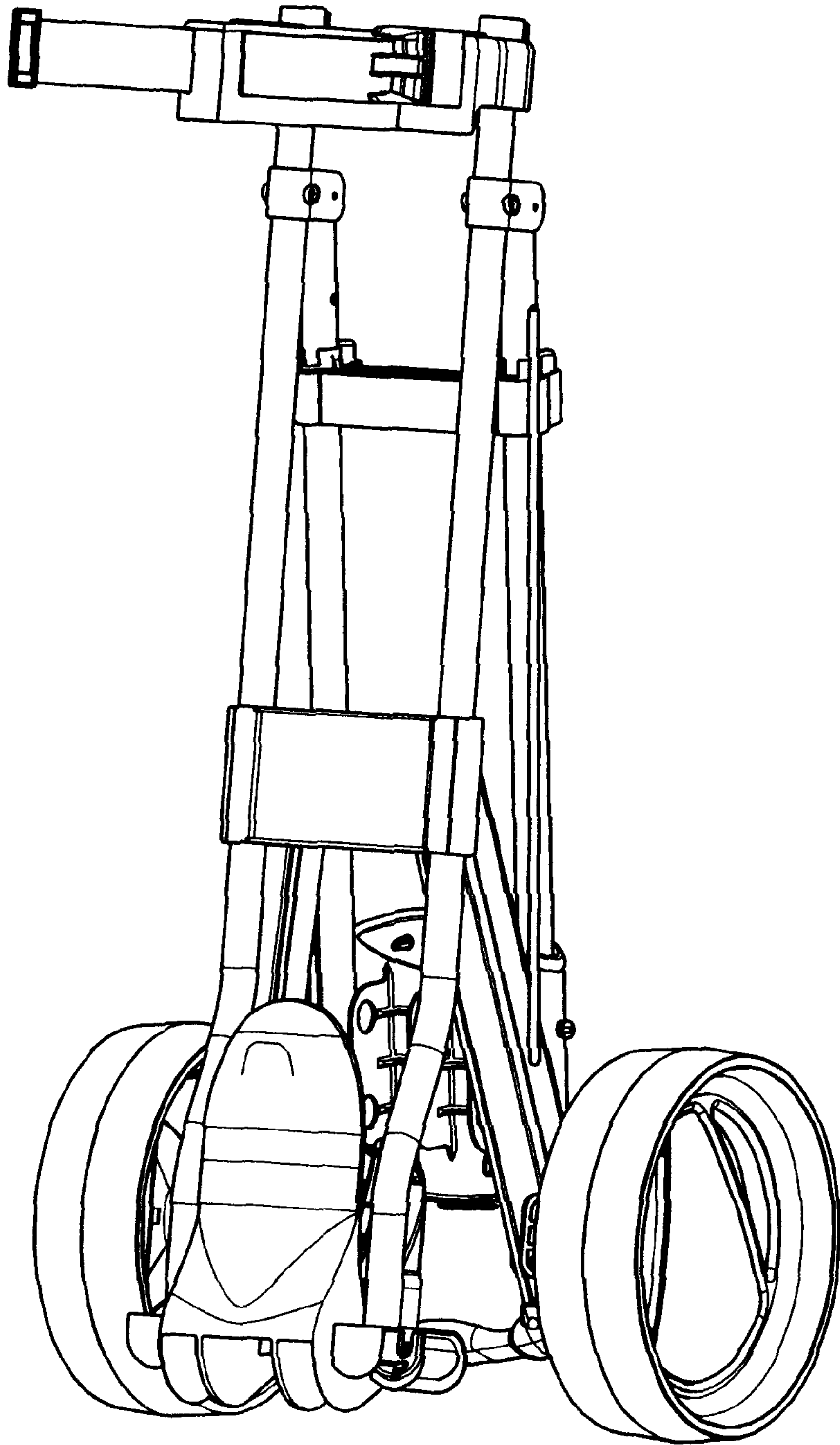


*FIG. 6*



*FIG. 7*





*FIG. 8*