



US00D437093S

(12) **United States Design Patent**  
**Kiern**

(10) **Patent No.:** **US D437,093 S**

(45) **Date of Patent:** **\*\* Jan. 30, 2001**

(54) **HANDLE FOR A FLOOR MACHINE OR OTHER DEVICE**

(75) **Inventor:** **Bruce M. Kiern, Metairie, LA (US)**

(73) **Assignee:** **Oreck Holdings, LLC, Cheyenne, WY (US)**

(\*\*) **Term:** **14 Years**

(21) **Appl. No.:** **29/103,013**

(22) **Filed:** **Apr. 6, 1999**

(51) **LOC (7) Cl.** ..... **15-05**

(52) **U.S. Cl.** ..... **D32/25; D32/34**

(58) **Field of Search** ..... **D32/15-16, 19-22, D32/25, 31, 34; D15/9.1, 18; D8/8, 67-69; 15/320, 321, 331, 332, 334, 335, 377, 410, 49.1, 98, 50.1; 439/191; 285/7**

(56) **References Cited**

**U.S. PATENT DOCUMENTS**

- D. 178,279 \* 7/1956 Cole et al. .
- D. 178,848 \* 9/1956 Pond .
- D. 183,050 \* 6/1958 Holt .
- D. 193,628 \* 9/1962 Rech .
- D. 207,230 \* 3/1967 Stewart .
- D. 219,348 \* 12/1970 Anderson .
- D. 241,568 \* 9/1976 Herzog .
- D. 251,007 \* 2/1979 Burgoon ..... D32/19
- D. 287,894 \* 1/1987 Watkins et al. .... D32/22
- D. 294,988 \* 3/1988 Goodrich ..... D32/34
- D. 296,486 \* 6/1988 Staubitz et al. .... D32/22
- D. 298,479 \* 11/1988 Jacobs et al. .... D32/16
- D. 309,806 \* 8/1990 Chieda et al. .... D32/22
- D. 315,623 \* 3/1991 Bartasevich et al. .... D32/18
- D. 321,420 \* 11/1991 Vett et al. .... D32/19
- D. 323,246 \* 1/1992 Best et al. .... D4/122
- D. 343,705 \* 1/1994 Gurstein et al. .... D32/19

- D. 345,035 \* 3/1994 Wulff ..... D32/34
- D. 345,830 \* 4/1994 Furcron et al. .... D32/22
- D. 346,468 \* 4/1994 Dusinberre et al. .... D32/22
- D. 347,504 \* 5/1994 Furcron et al. .... D32/33
- D. 398,723 \* 9/1998 Diebel ..... D32/22
- D. 399,615 \* 10/1998 Hajjar et al. .... D32/22
- D. 403,480 \* 12/1998 Diebel ..... D32/22
- D. 405,567 \* 2/1999 Kent et al. .... D32/22
- 3,130,444 \* 4/1964 Stollsteimer .
- 4,559,665 \* 12/1985 Fitzwater ..... 15/339
- 5,016,315 \* 5/1991 Bledsoe et al. .... 15/410
- 5,355,542 \* 10/1994 Oreck et al. .... 15/49.1

**OTHER PUBLICATIONS**

*"Its easy with the Oreck Orbiter Floor Machine"* Jul. 1987.

\* cited by examiner

*Primary Examiner*—Ruth McInroy

(74) *Attorney, Agent, or Firm*—Dorsey & Whitney LLP

(57) **CLAIM**

The ornamental design for a handle for a floor machine or other device, as shown and described.

**DESCRIPTION**

FIG. 1 is a front perspective view of a handle for a floor machine or other device showing my new design with the interfacing support shaft and electrical cord shown in phantom to illustrate the environment for my new design.

FIG. 2 is a left side elevational view thereof;

FIG. 3 is a right side elevational view thereof;

FIG. 4 is a rear elevational view thereof;

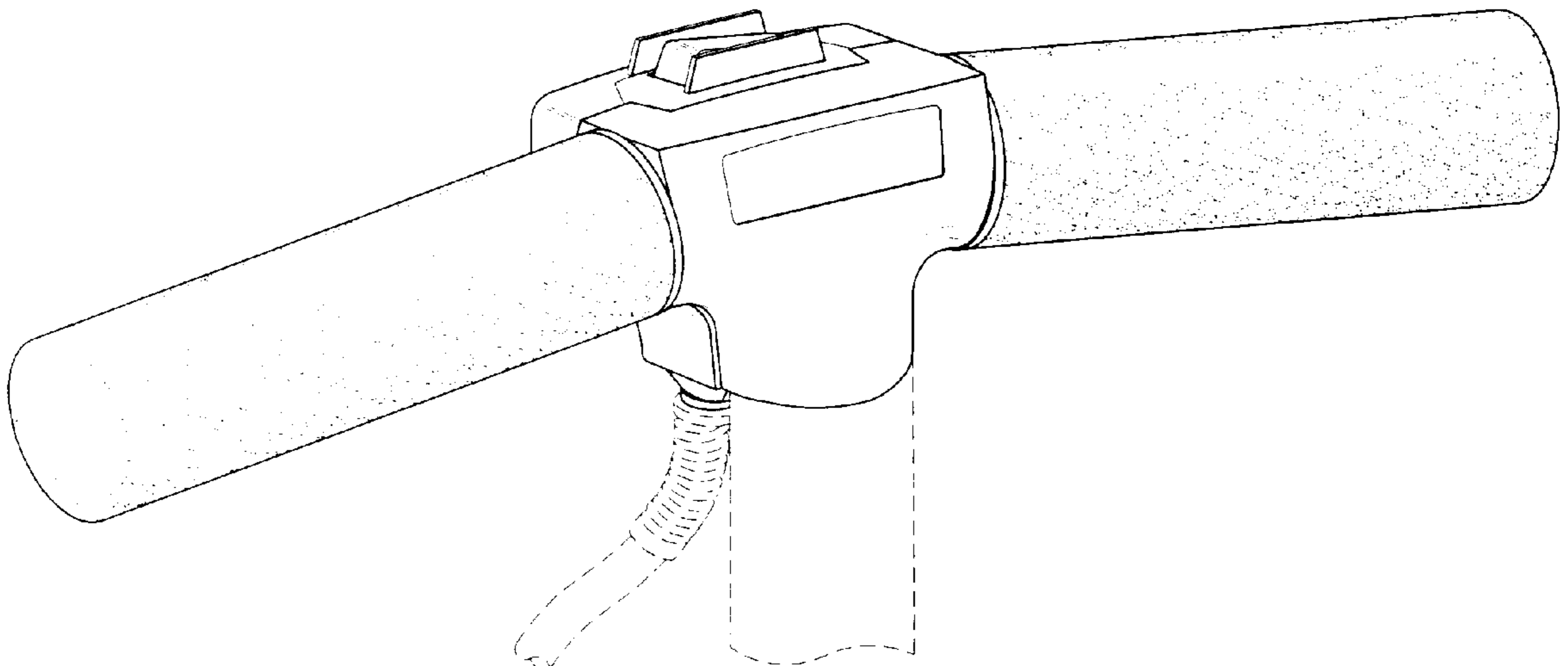
FIG. 5 is a front elevational view thereof;

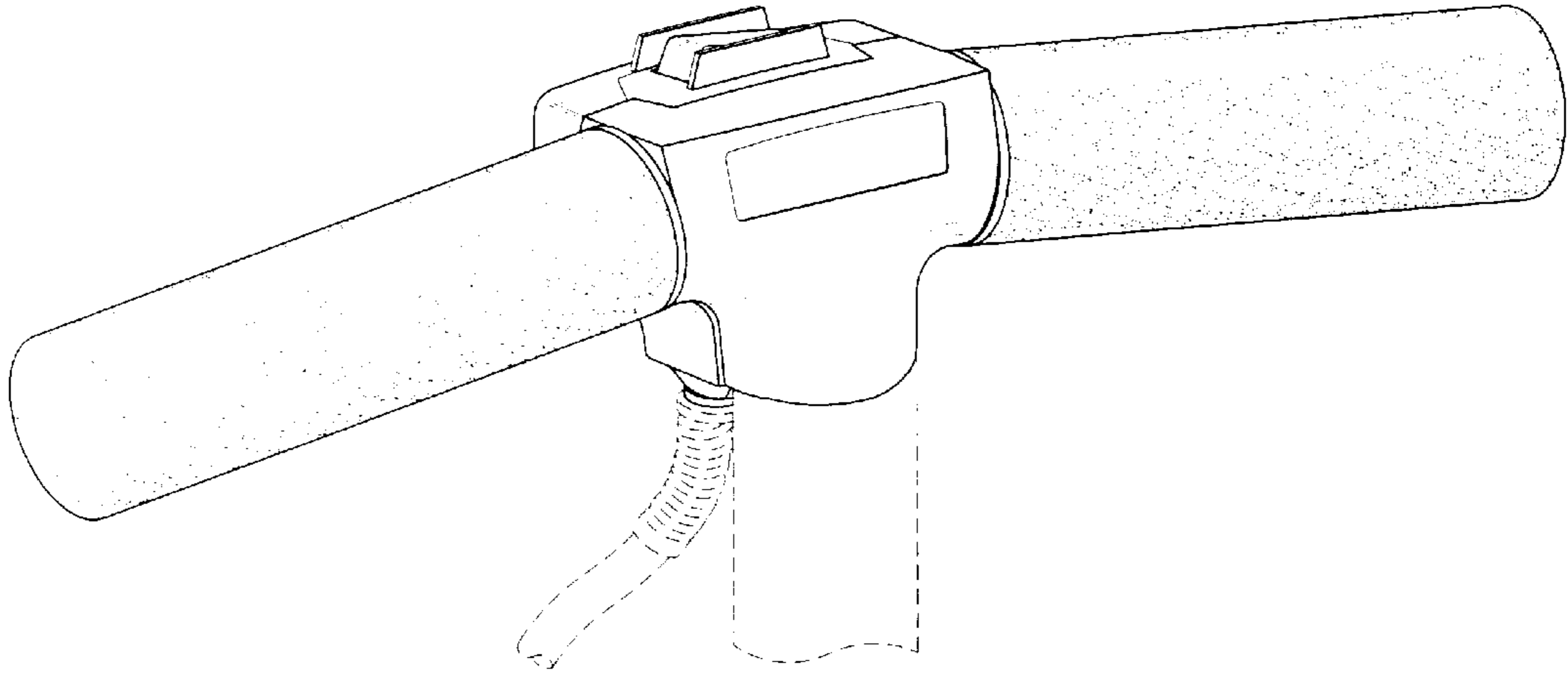
FIG. 6 is a top plan view thereof; and,

FIG. 7 is a bottom plan view thereof.

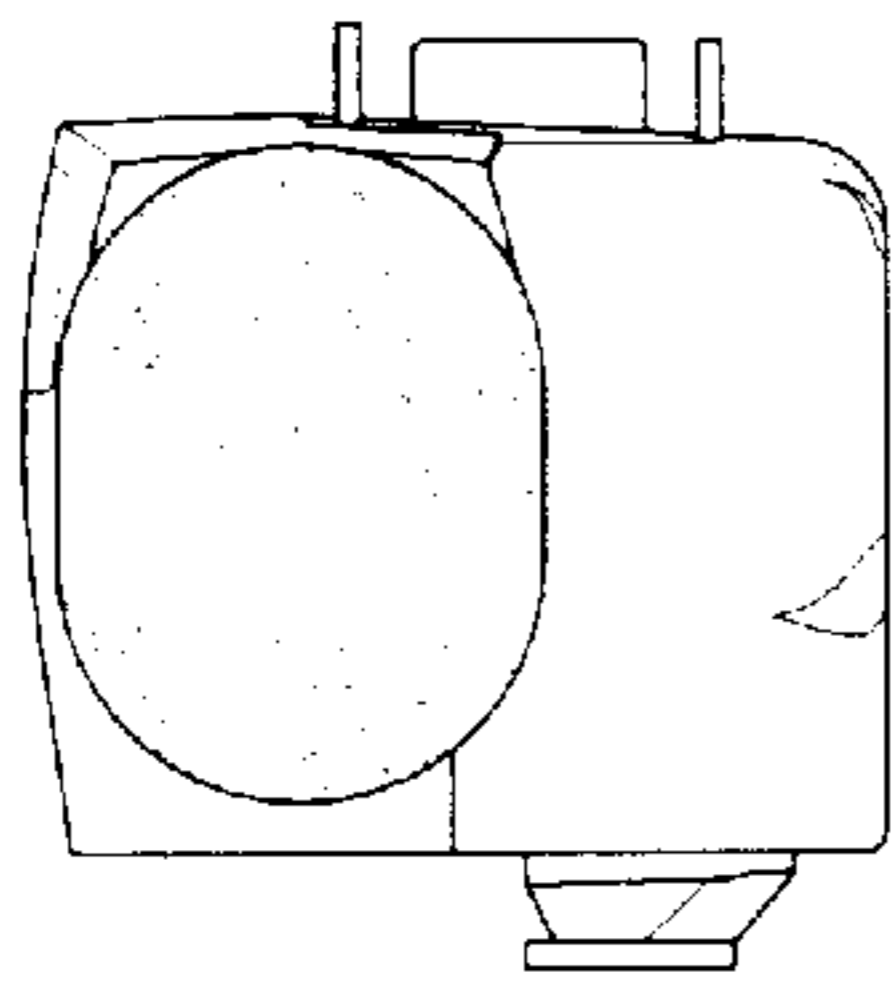
The details shown in broken lines in FIG. 1 are for illustrative purposes only and form no part of the claimed design.

**1 Claim, 3 Drawing Sheets**

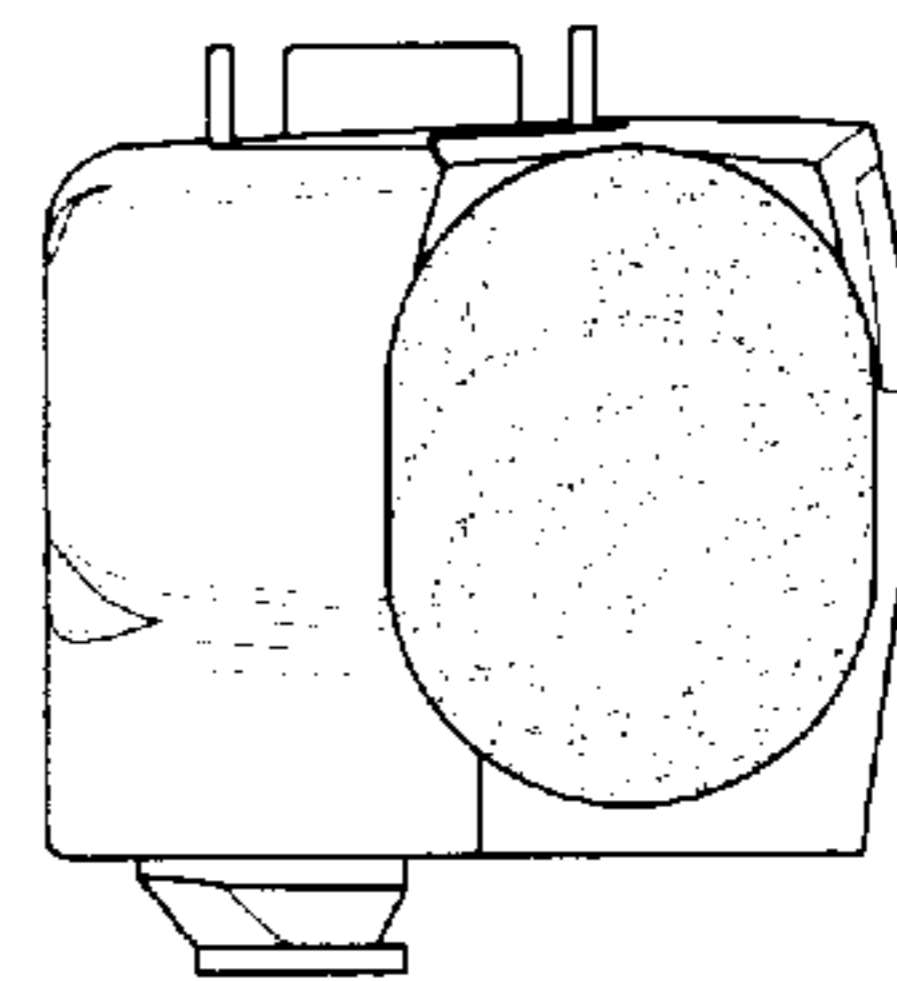




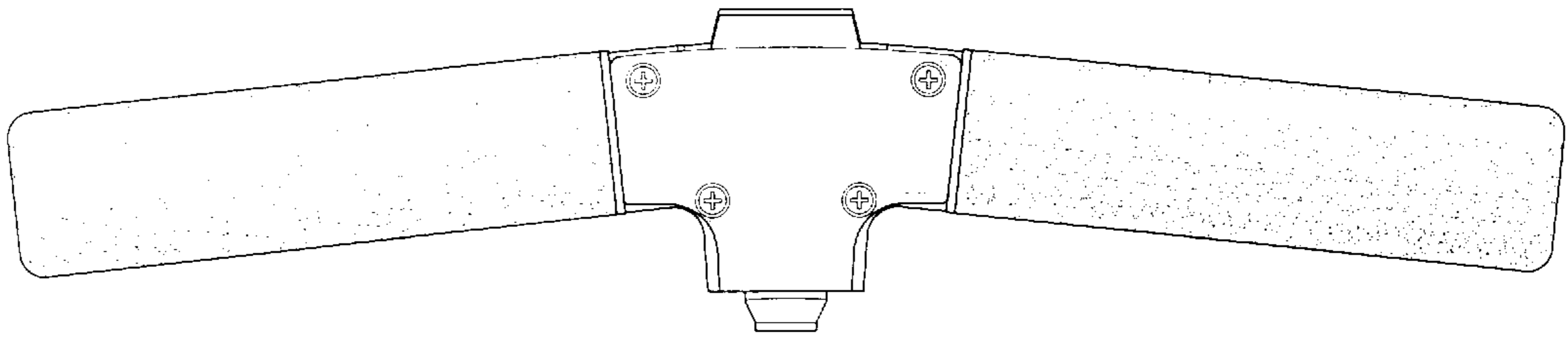
*Fig. 1*



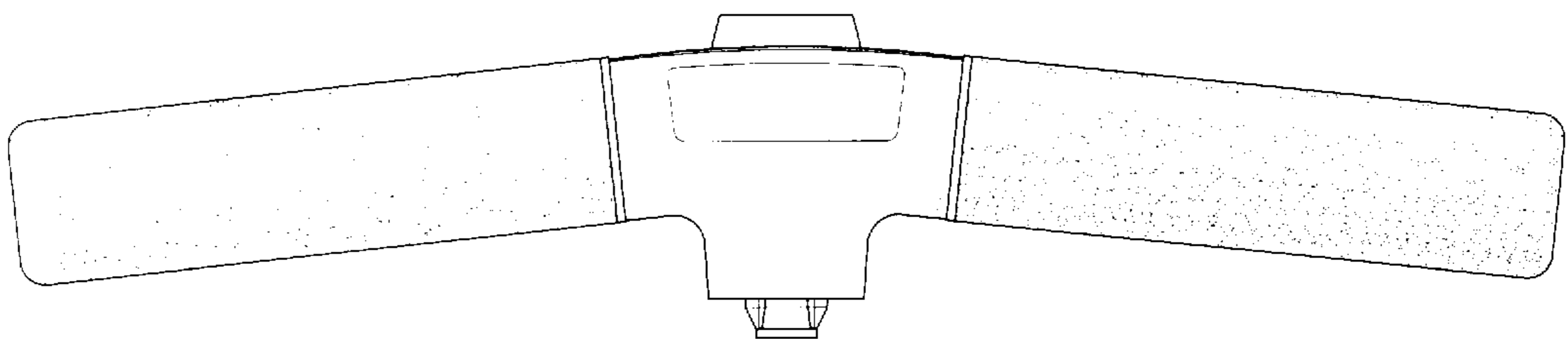
*Fig. 2*



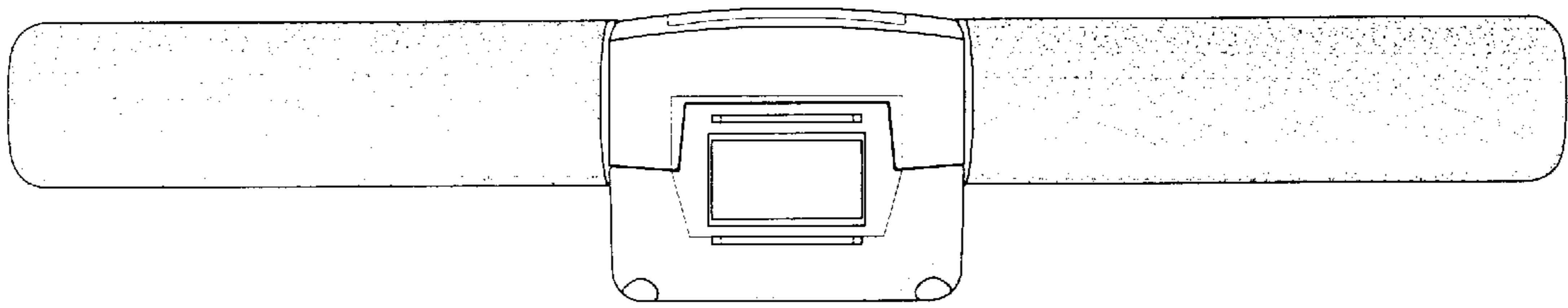
*Fig. 3*



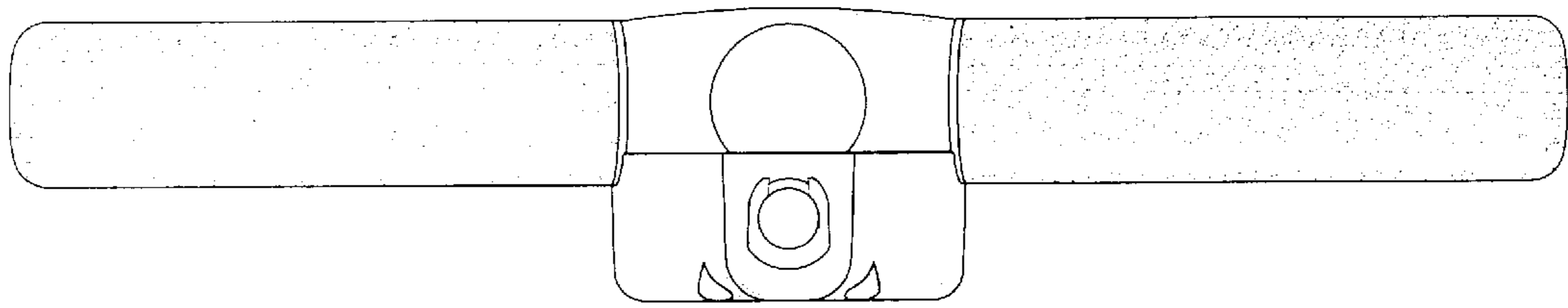
*Fig. 4*



*Fig. 5*



*Fig. 6*



*Fig. 7*

UNITED STATES PATENT AND TRADEMARK OFFICE  
**CERTIFICATE OF CORRECTION**

PATENT NO. : Des 437,093 S  
DATED : January 30, 2001  
INVENTOR(S) : Bruce M. Kiem

Page 1 of 1

It is certified that error appears in the above-identified patent and that said Letters Patent is hereby corrected as shown below:


Title page,

Item [56] **References Cited**, "D. 323,246" should read -- D. 232,246 7/1974  
Hauser --

Signed and Sealed this

Fifteenth Day of January, 2002

*Attest:*



*Attesting Officer*

JAMES E. ROGAN  
*Director of the United States Patent and Trademark Office*