



US00D437086S

(12) **United States Design Patent**  
**Dickert**

(10) **Patent No.:** **US D437,086 S**

(45) **Date of Patent:** **\*\* Jan. 30, 2001**

(54) **EYELASH CURLER**

5,097,598 \* 3/1992 Andreula ..... 132/217 X  
5,598,858 \* 2/1997 Wainer ..... 132/217

(76) Inventor: **JoAnne Dickert**, 608 Ann St.,  
Brundidge, AL (US) 36010

\* cited by examiner

(\*\*) Term: **14 Years**

*Primary Examiner*—Catherine Tuttle  
(74) *Attorney, Agent, or Firm*—Goldstein & Canino

(21) Appl. No.: **29/118,908**

(57) **CLAIM**

(22) Filed: **Feb. 17, 2000**

The ornamental design for an eyelash curler, as shown and described.

(51) **LOC (7) Cl.** ..... **28-03**

(52) **U.S. Cl.** ..... **D28/36**

(58) **Field of Search** ..... D28/36, 55; D8/57;  
132/216, 217, 218, 320

**DESCRIPTION**

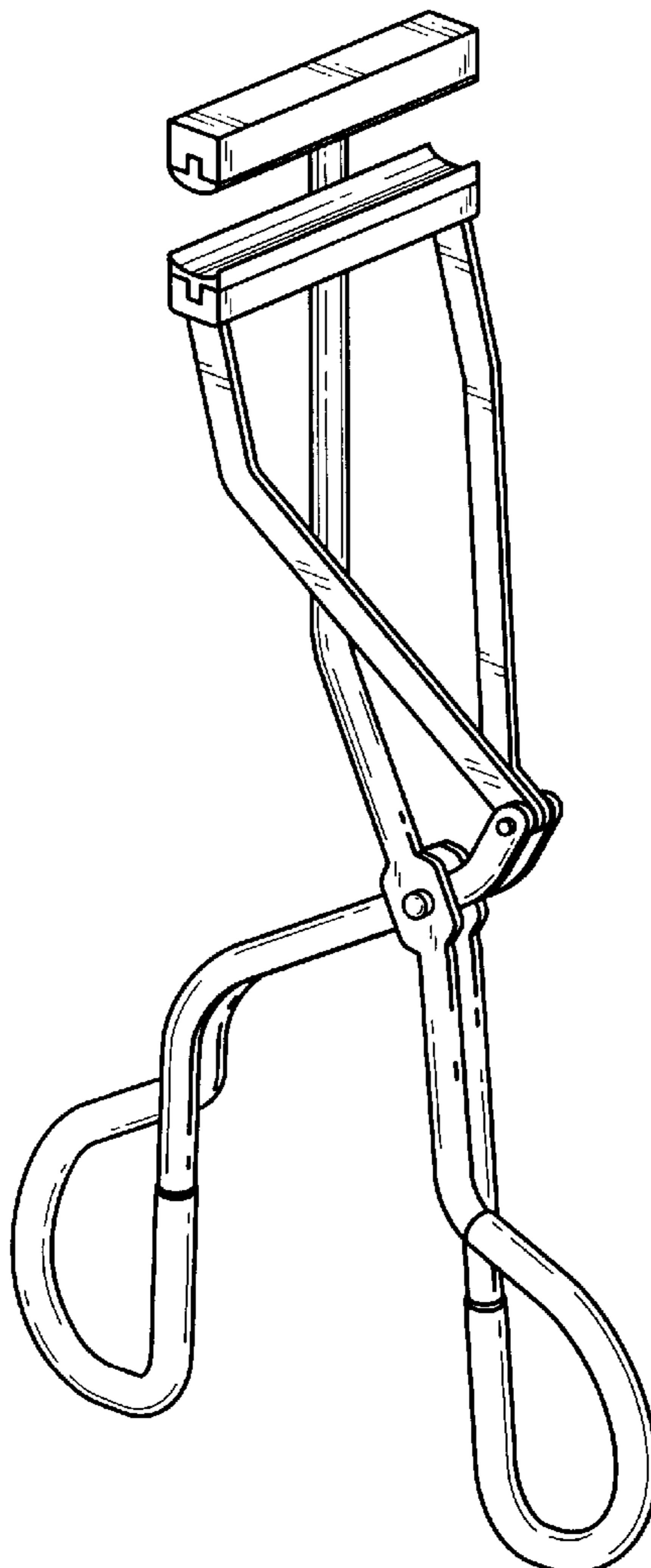
(56) **References Cited**

FIG. 1 is a perspective view of an eyelash curler;  
FIG. 2 is a front elevational view thereof;  
FIG. 3 is a rear elevational view thereof;  
FIG. 4 is a right side elevational view thereof;  
FIG. 5 is a left side elevational view thereof;  
FIG. 6 is a top plan view of the eyelash curler; and,  
FIG. 7 is a bottom plan view thereof.

**U.S. PATENT DOCUMENTS**

- D. 133,455 \* 8/1942 Tuttle et al. .... D28/36
- D. 328,504 \* 8/1992 Davies ..... D28/36
- D. 406,392 \* 3/1999 Walker ..... D28/36
- 3,339,561 \* 9/1967 Brickner ..... 132/217
- 4,791,944 \* 12/1988 Stein ..... 132/217

**1 Claim, 3 Drawing Sheets**



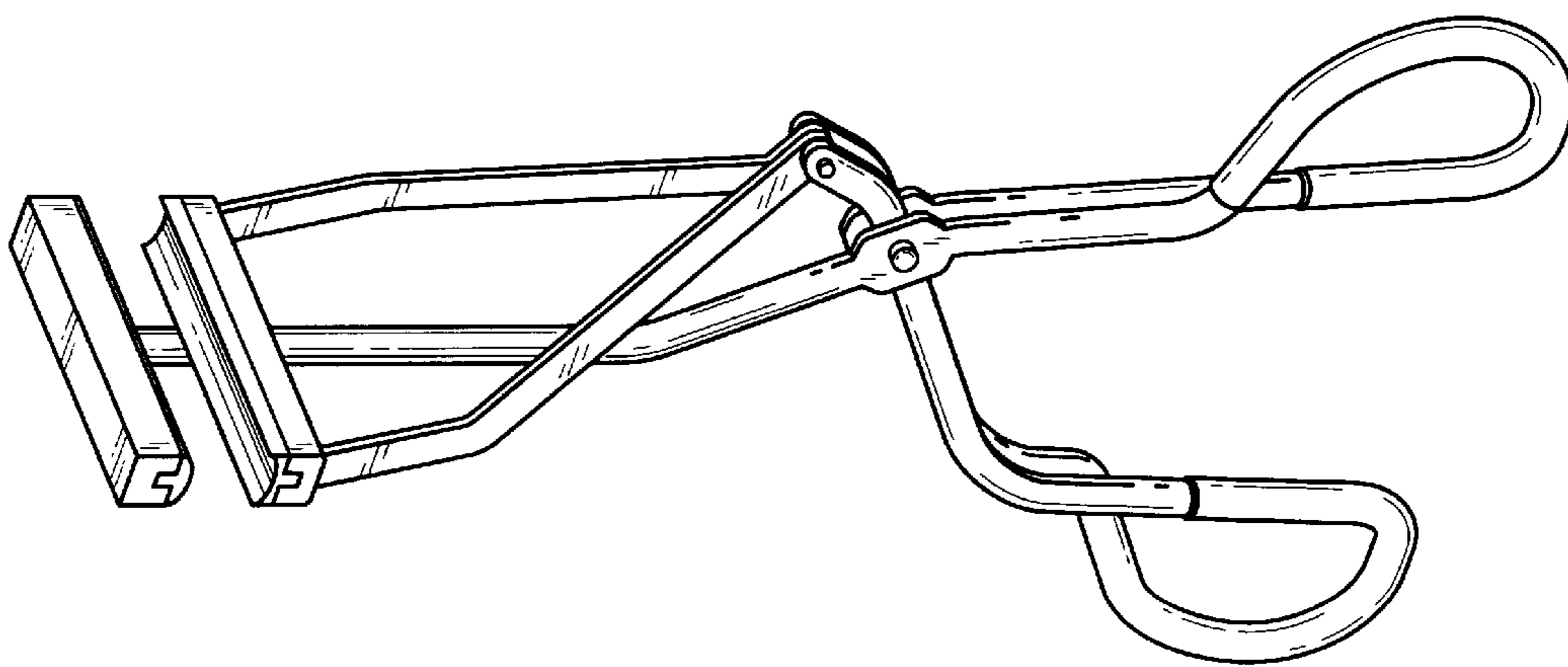


FIG. 1

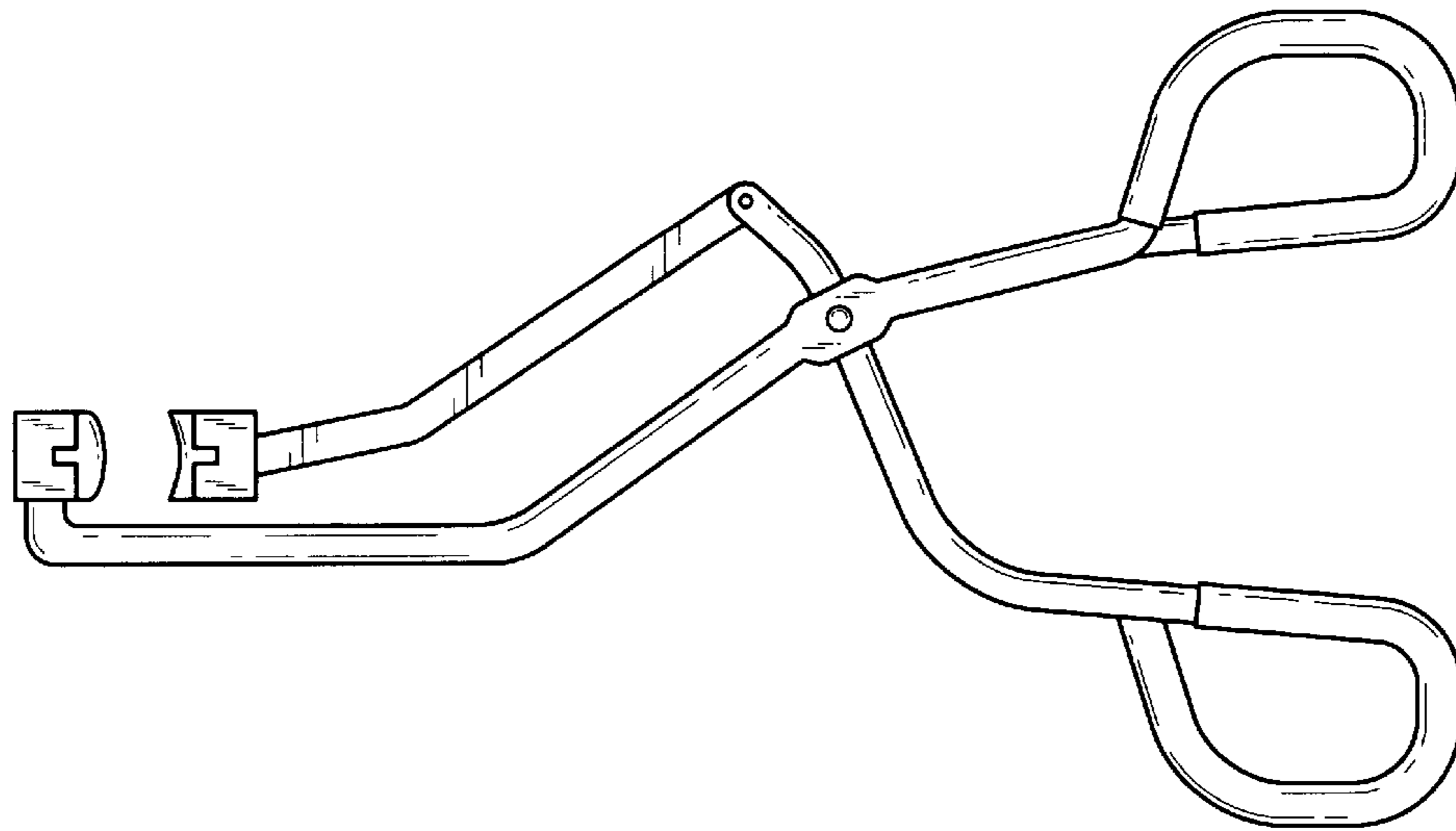


FIG. 2

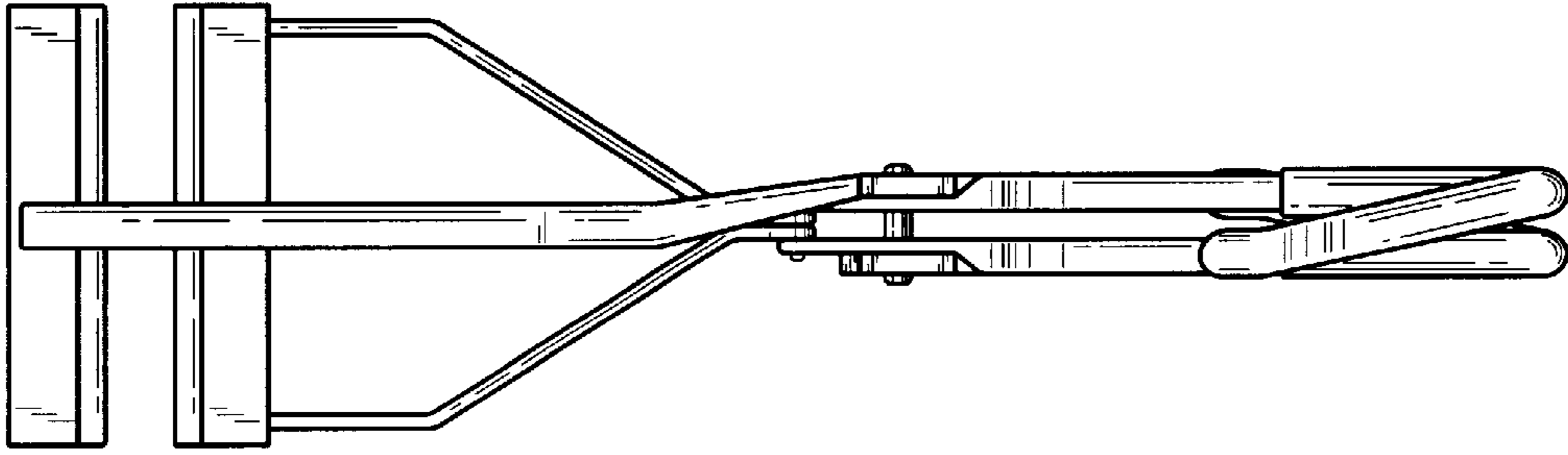


FIG. 5

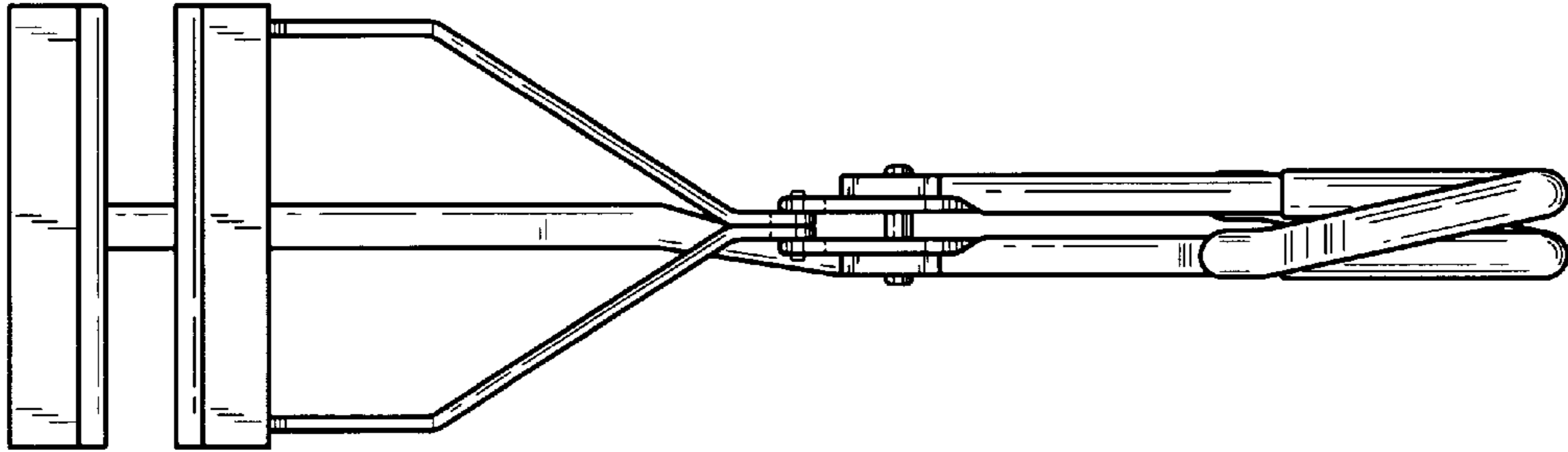


FIG. 4

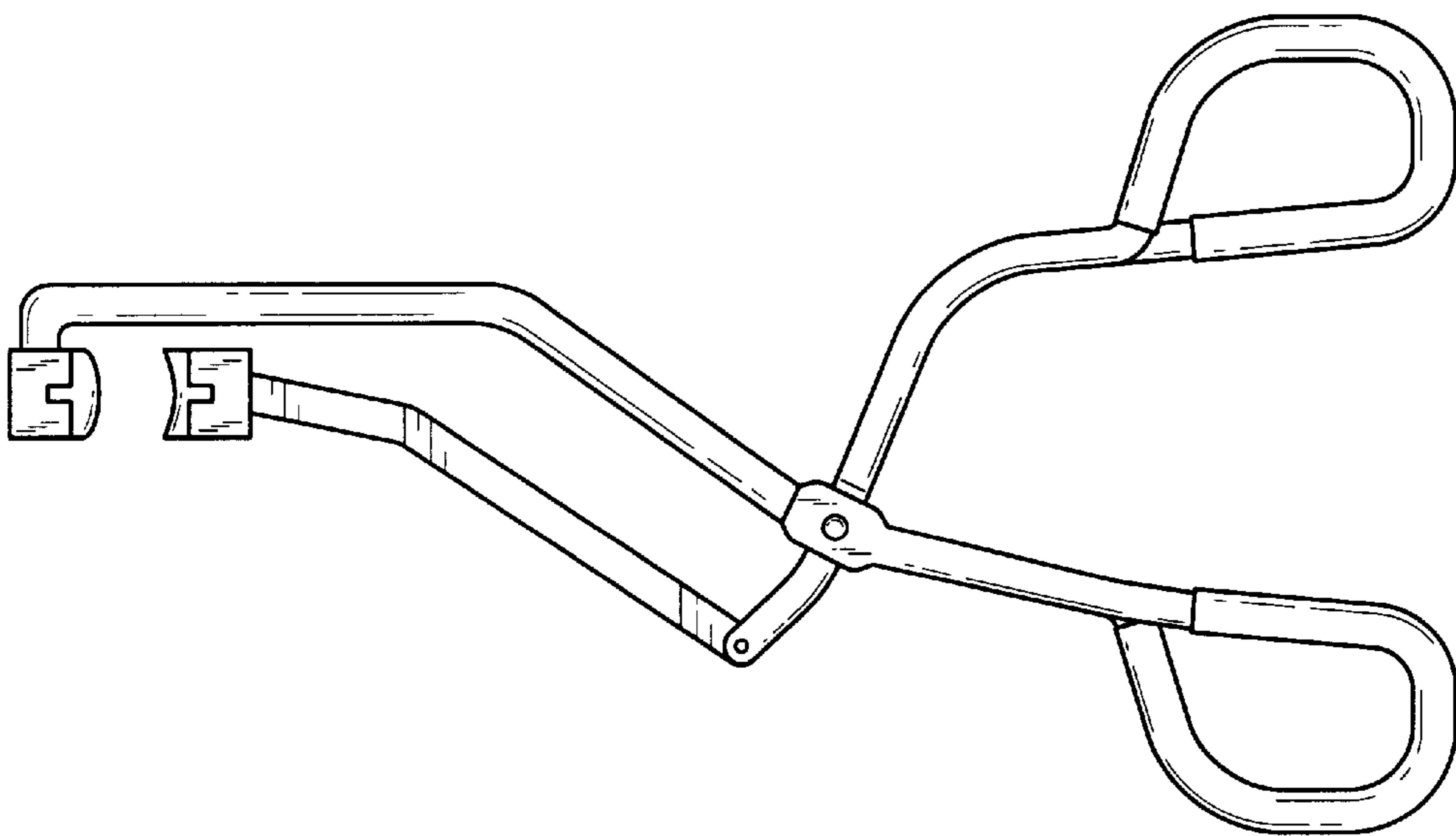


FIG. 3

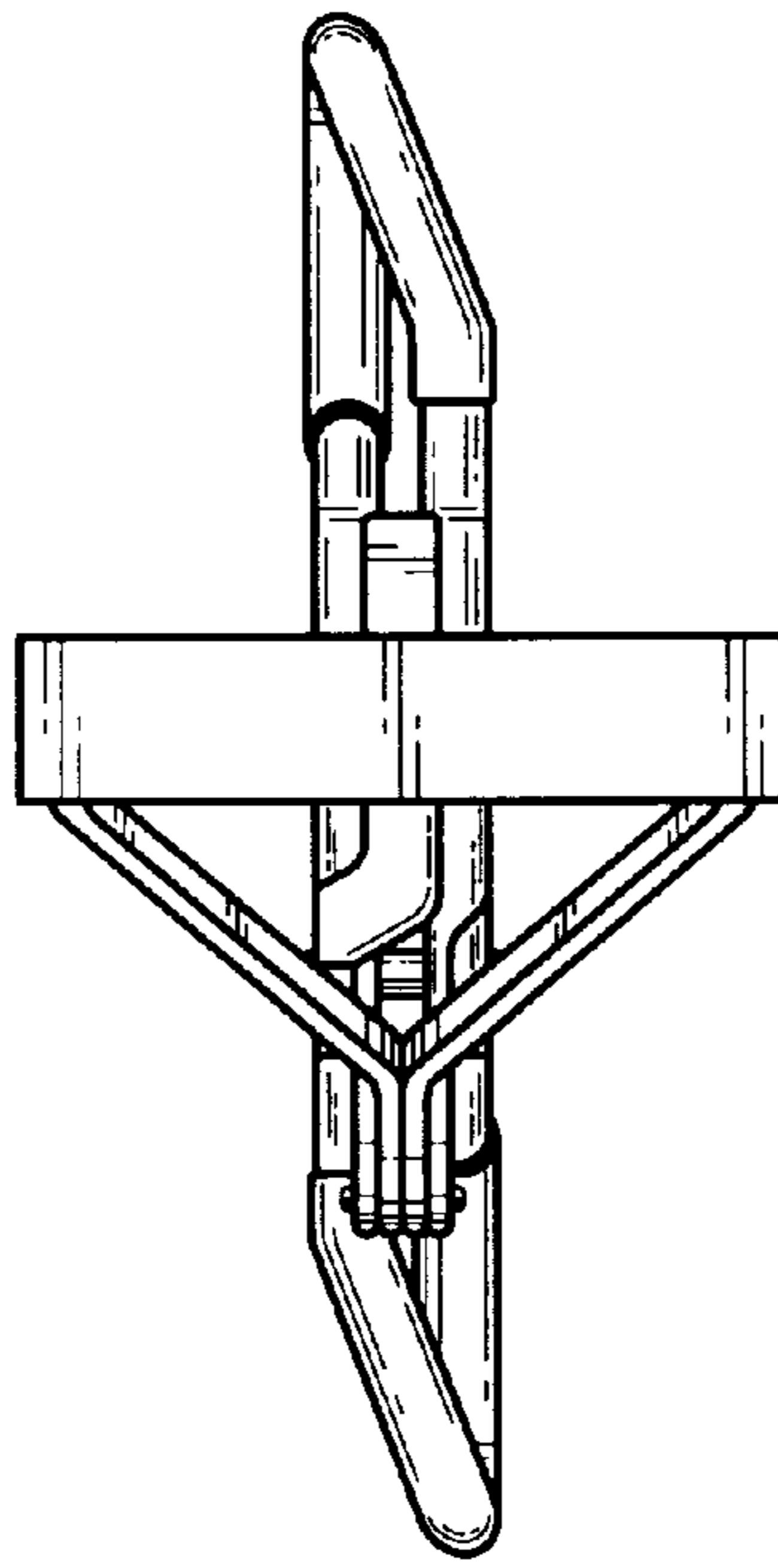


FIG. 6

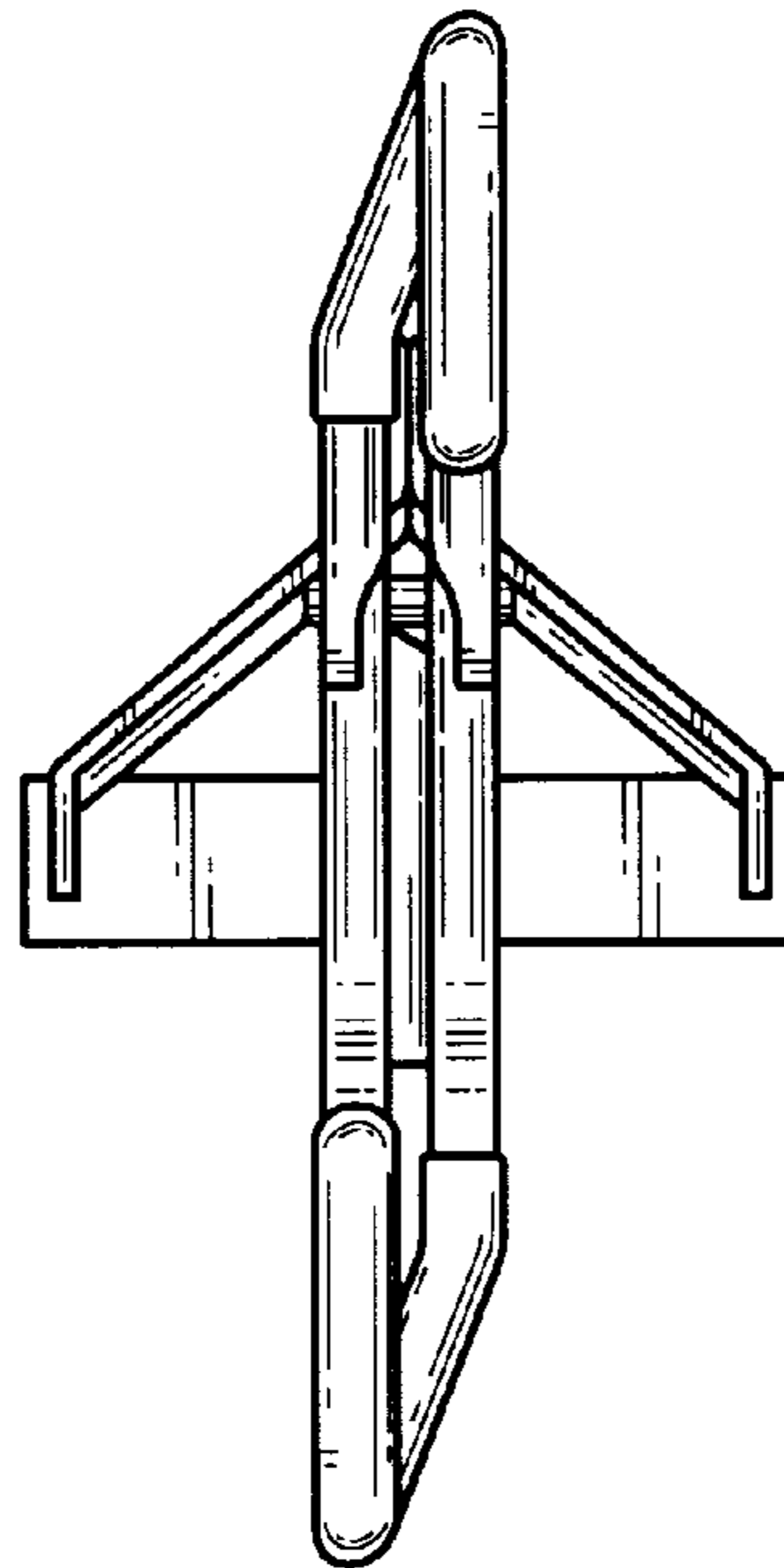


FIG. 7