



US00D437082S

(12) **United States Design Patent**  
**Miranda**

(10) **Patent No.:** **US D437,082 S**

(45) **Date of Patent:** **\*\* Jan. 30, 2001**

(54) **GLASS SHADE**

(76) Inventor: **Pasquale Miranda**, 63- 2<sup>nd</sup> St., Garden City, NY (US) 11530

(\*\*) Term: **14 Years**

(21) Appl. No.: **29/118,773**

(22) Filed: **Feb. 15, 2000**

(51) **LOC (7) Cl.** ..... **26-99**

(52) **U.S. Cl.** ..... **D26/131**

(58) **Field of Search** ..... D26/67, 128-137,  
D26/85, 88-91; D11/143; 362/404-408,  
147, 341, 346-356

(56) **References Cited**

**U.S. PATENT DOCUMENTS**

D. 26,640 \* 2/1897 Caldwell ..... D26/127  
D. 317,509 \* 6/1991 Hazerjian et al. .... D26/67

**OTHER PUBLICATIONS**

Illuminotecnica, glass lamp housing at top right corner of p. 341, May/Jun. 1998.\*

\* cited by examiner

*Primary Examiner*—Alan P. Douglas

*Assistant Examiner*—Linda Brooks

(57) **CLAIM**

The ornamental design for a glass shade, as shown and described.

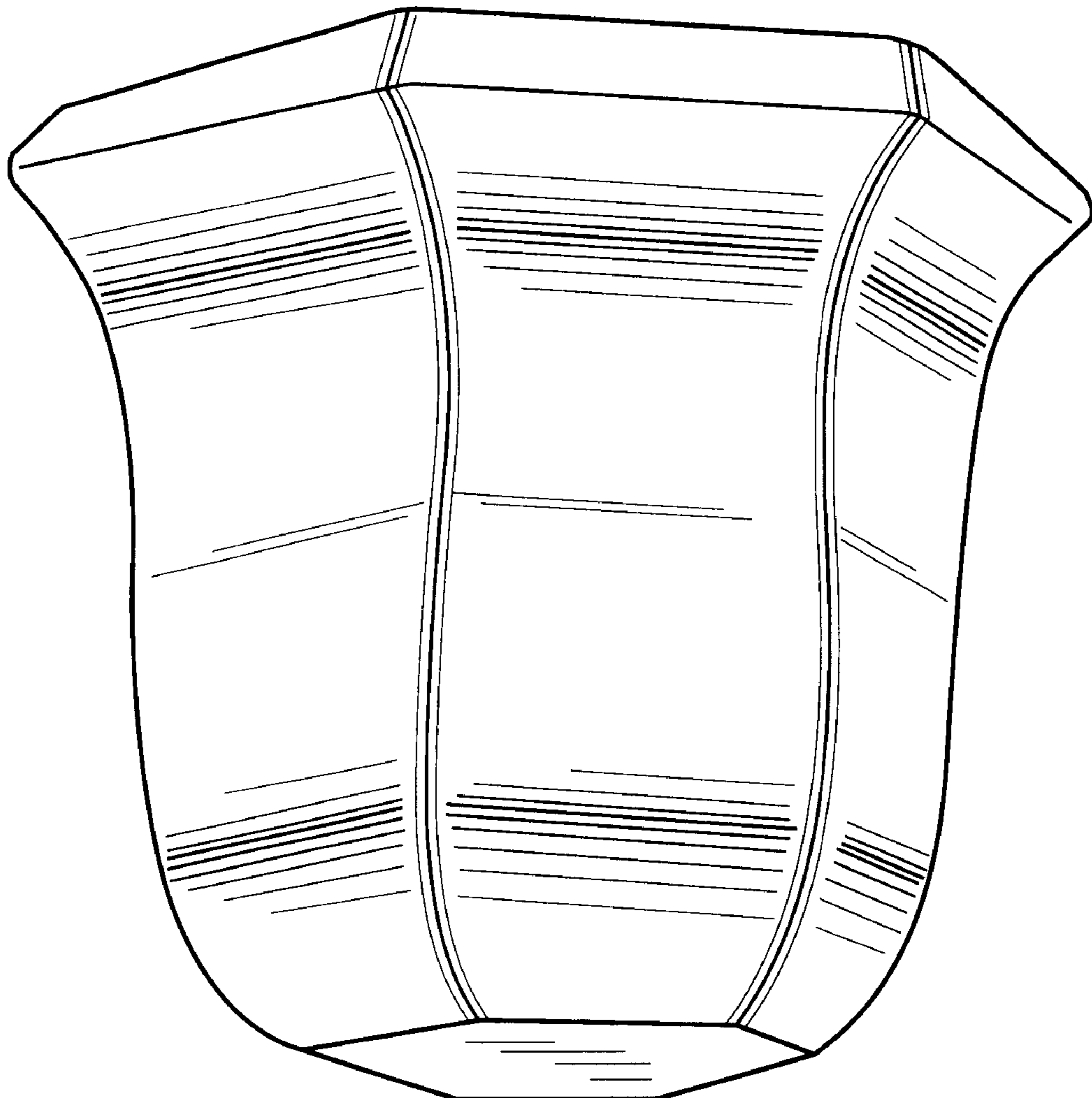
**DESCRIPTION**

FIG. 1 is a perspective view of glass shade showing my new design;

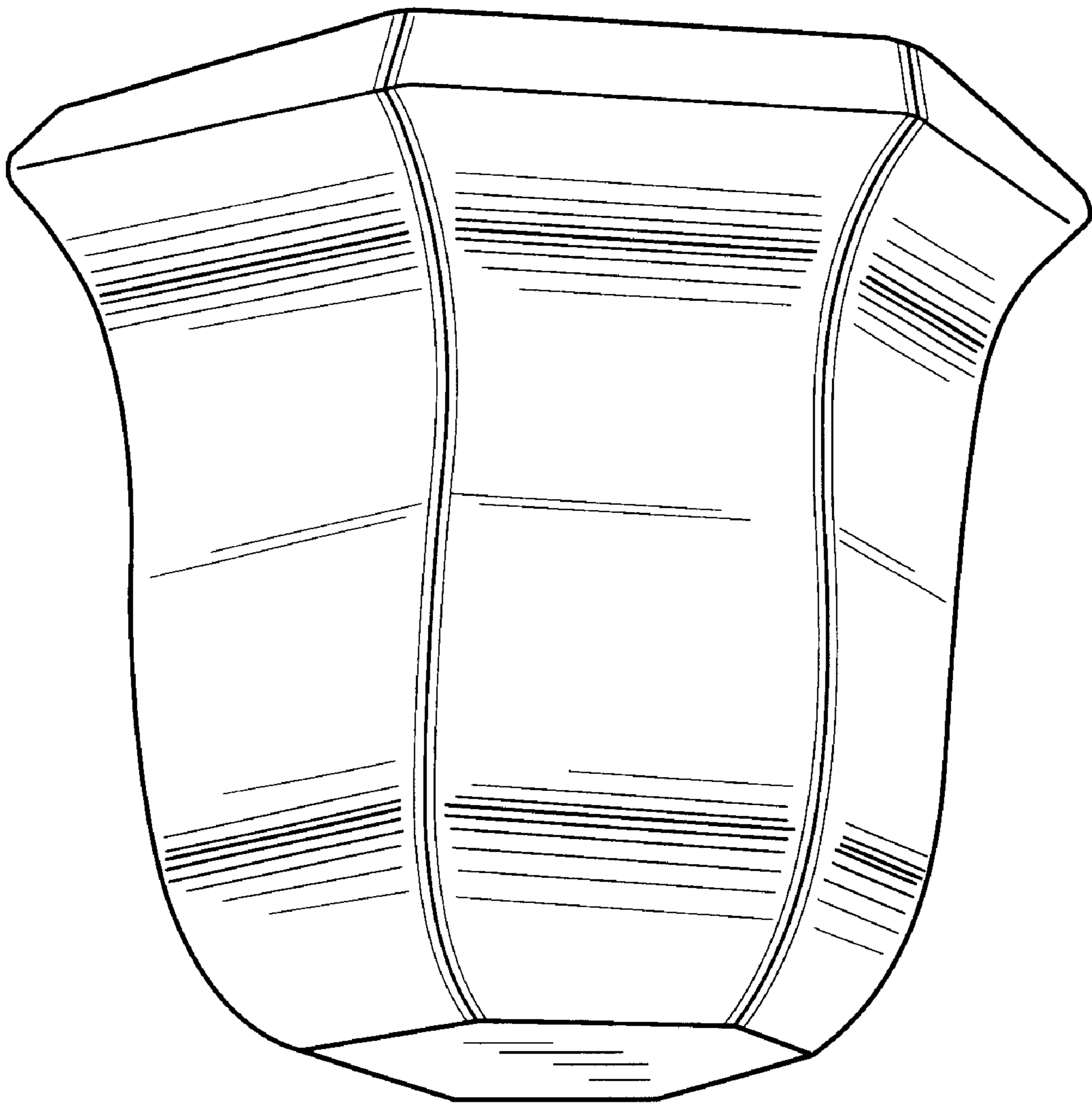
FIG. 2 is an elevational view thereof, all sides being identical; and,

FIG. 3 is a bottom plan view thereof, the top surface being flat.

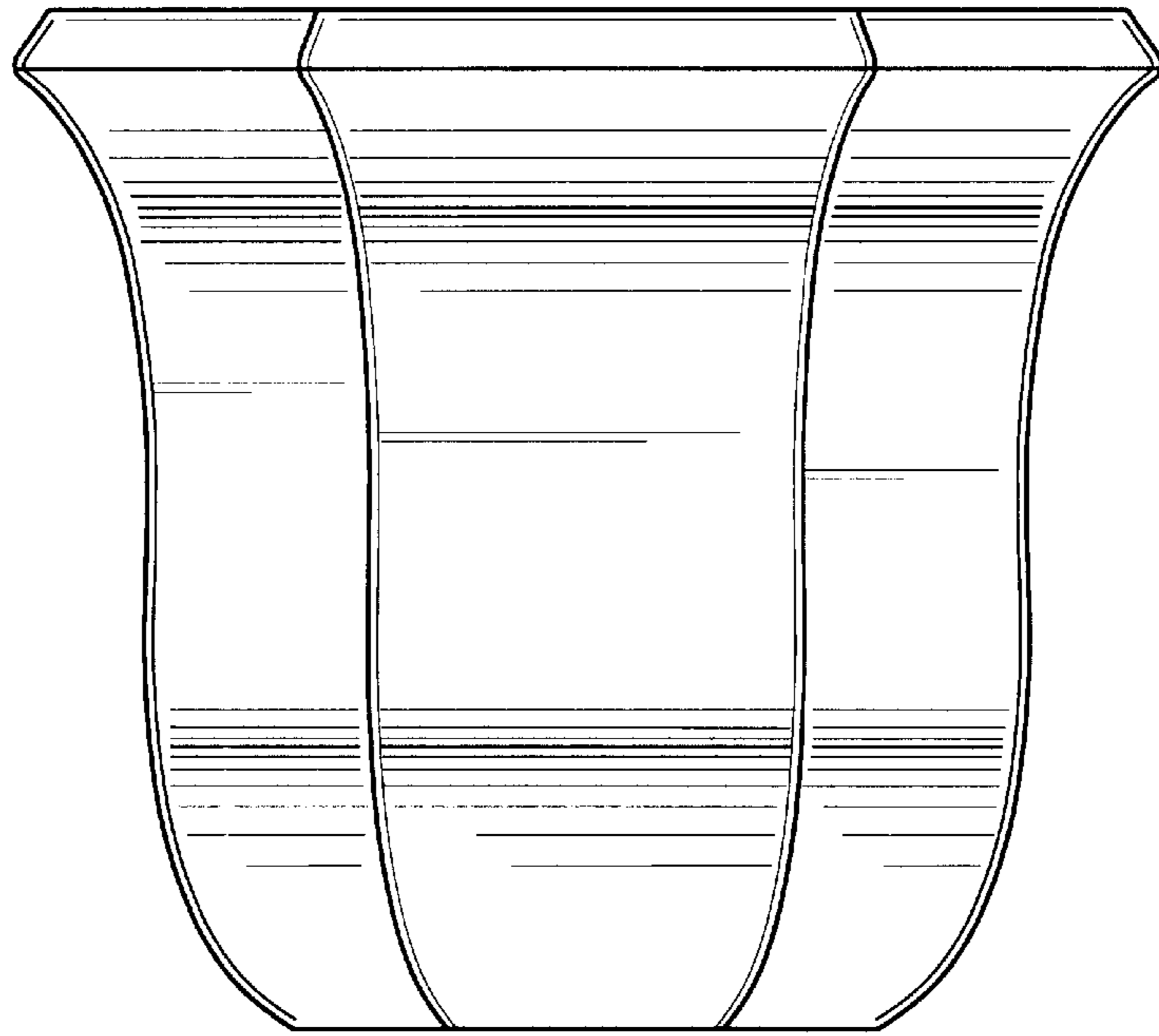
**1 Claim, 2 Drawing Sheets**



**FIG. 1**



**FIG. 2**



**FIG. 3**

