



US00D437081S

(12) **United States Design Patent**  
**Hsu**

(10) **Patent No.:** **US D437,081 S**

(45) **Date of Patent:** **\*\* Jan. 30, 2001**

(54) **LAMPSHADE**

(76) **Inventor:** **Hsiu-Hsiung Hsu**, No. 164, Min Chyuan West Road, Taipei (TW)

(\*\*) **Term:** **14 Years**

(21) **Appl. No.:** **29/120,314**

(22) **Filed:** **Mar. 17, 2000**

(51) **LOC (7) Cl.** ..... **26-99**

(52) **U.S. Cl.** ..... **D26/130**

(58) **Field of Search** ..... D26/93-112, 114-137;  
362/404-414, 361, 363, 367, 147

(56) **References Cited**

**U.S. PATENT DOCUMENTS**

D. 351,041 \* 9/1994 Porter ..... D26/130

**OTHER PUBLICATIONS**

Taiwan Lighting, lamp shade Nos. 111T13P and 111T14P, p. 104, Feb. 1999.\*

Taiwan Lighting, lamp shade No. 112T3 and lamp shades 53-53WP along bottom of p. 112, Nov. 1997.\*

Iluminotecnica, lamp shades at lower left corner of p. 186, Sep./Oct. 1997.\*

\* cited by examiner

*Primary Examiner*—Alan P. Douglas

*Assistant Examiner*—Linda Brooks

(74) *Attorney, Agent, or Firm*—Dougherty & Troxell

(57) **CLAIM**

The ornamental design for a lampshade, as shown and described.

**DESCRIPTION**

FIG. 1 is a perspective view of a lampshade showing my new design;

FIG. 2 is a side elevational view thereof;

FIG. 3 is a top plan view thereof;

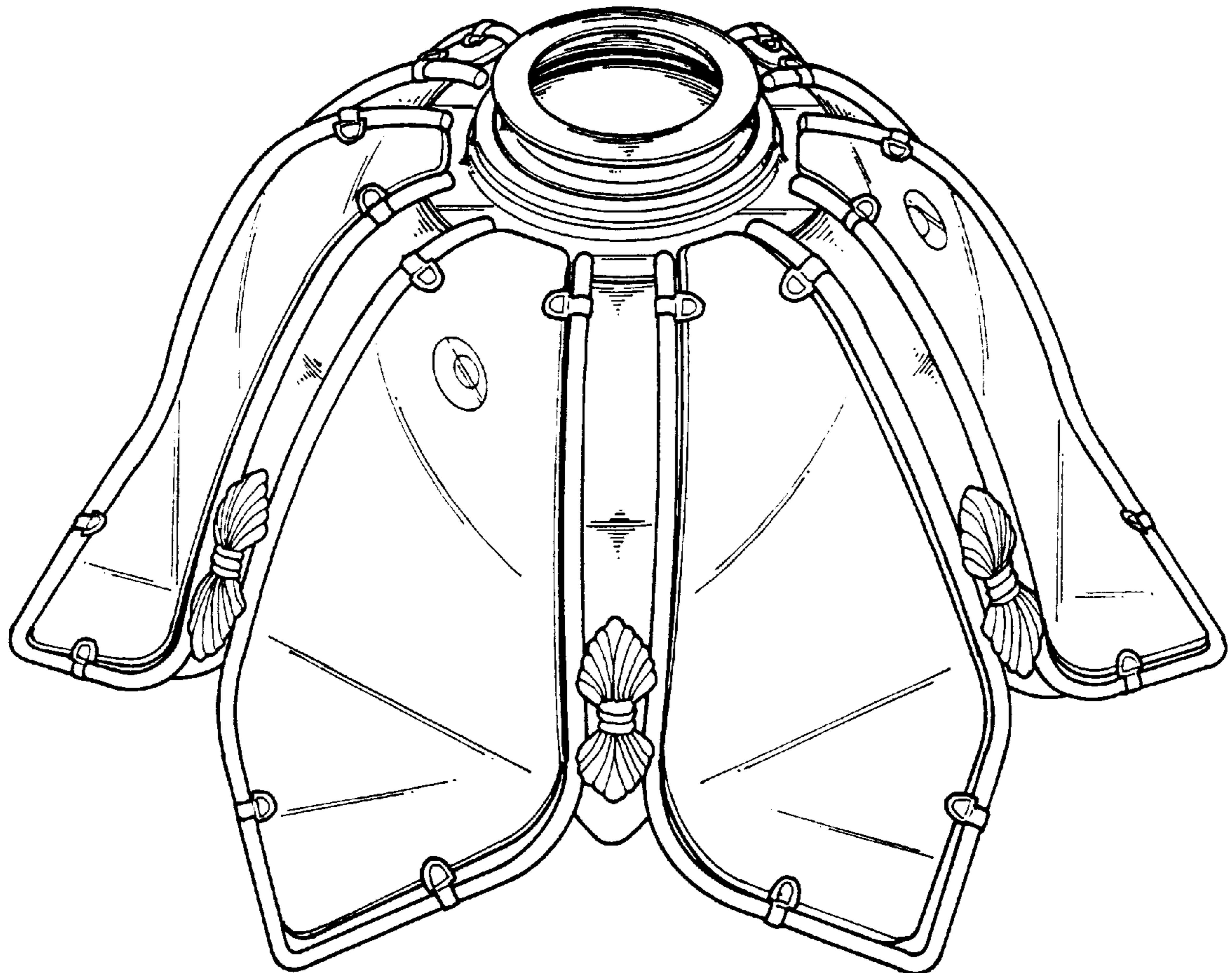
FIG. 4 is a front elevational view thereof;

FIG. 5 is a bottom plan view thereof;

FIG. 6 is an elevational view of the side opposite to FIG. 2; and,

FIG. 7 is a rear elevational view thereof.

**1 Claim, 7 Drawing Sheets**



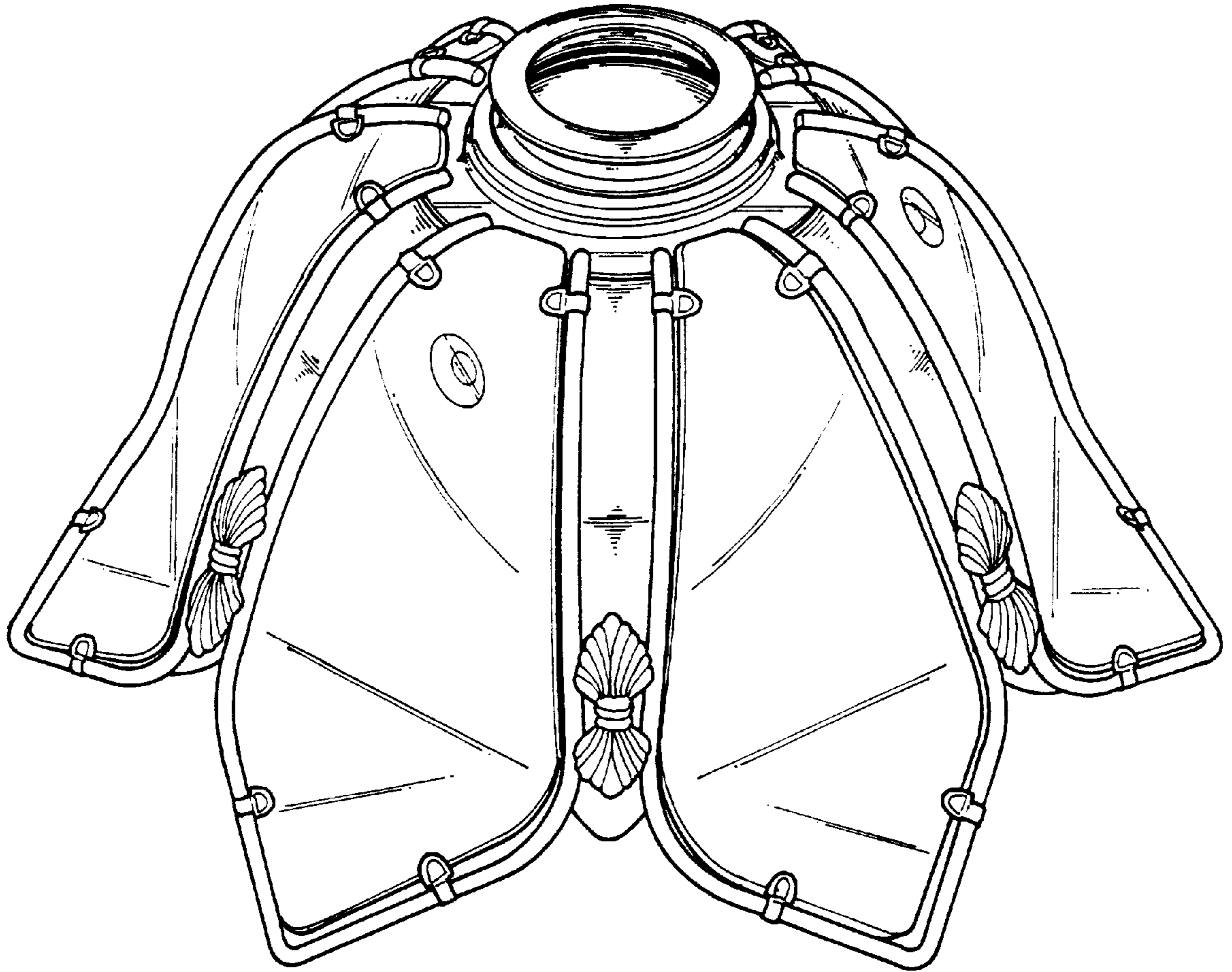
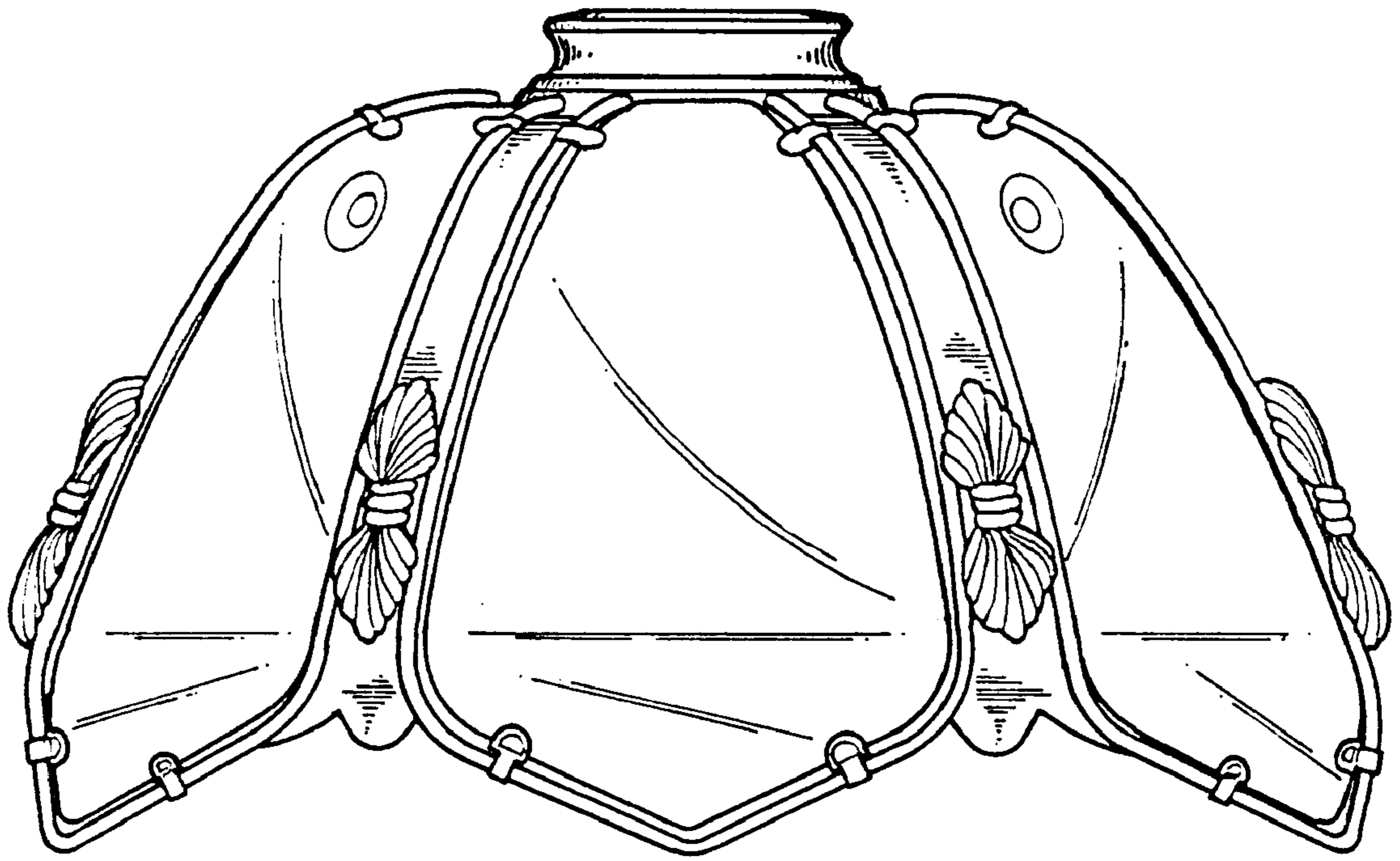


FIG. 1



*FIG. 2*



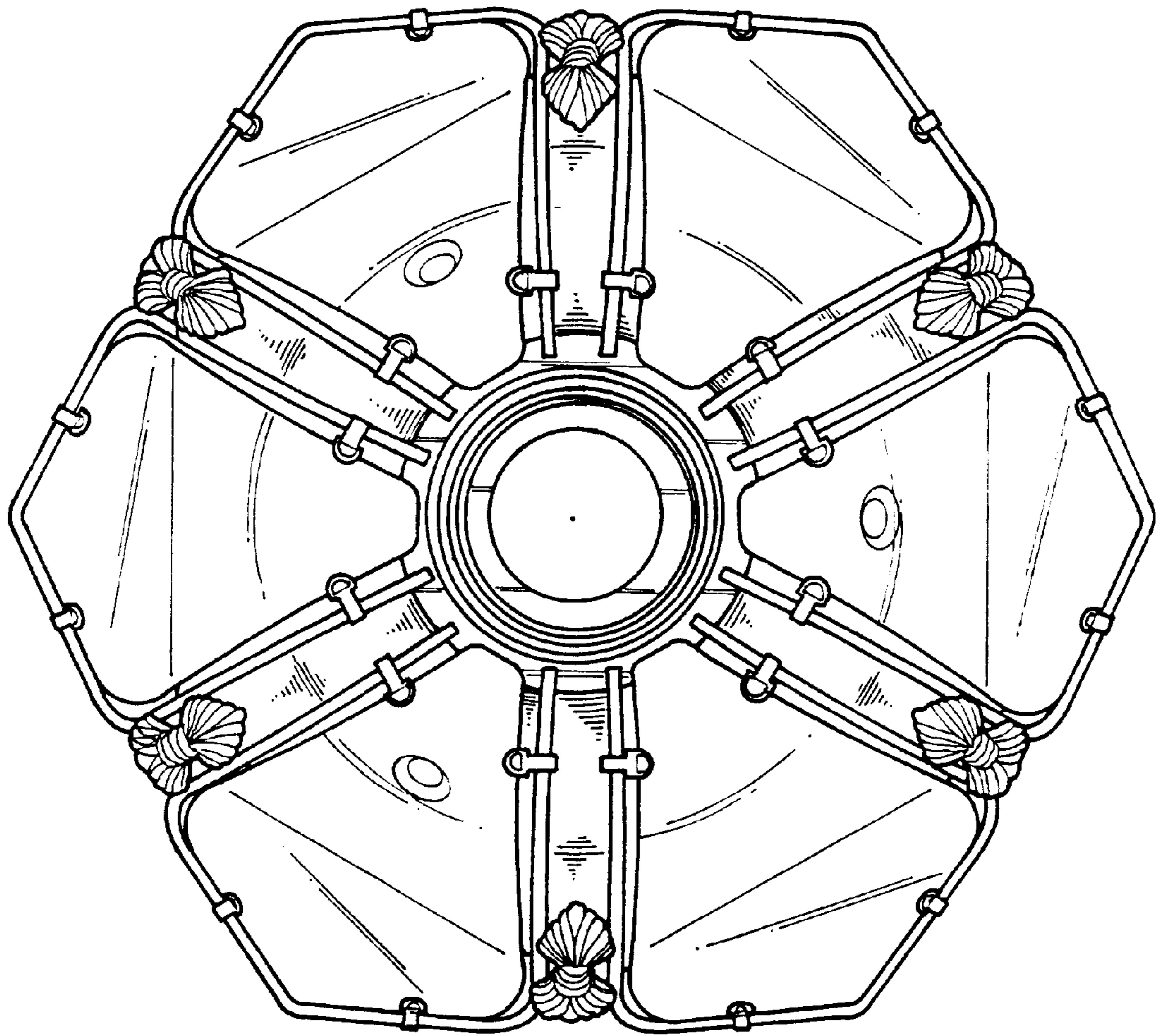


FIG. 3

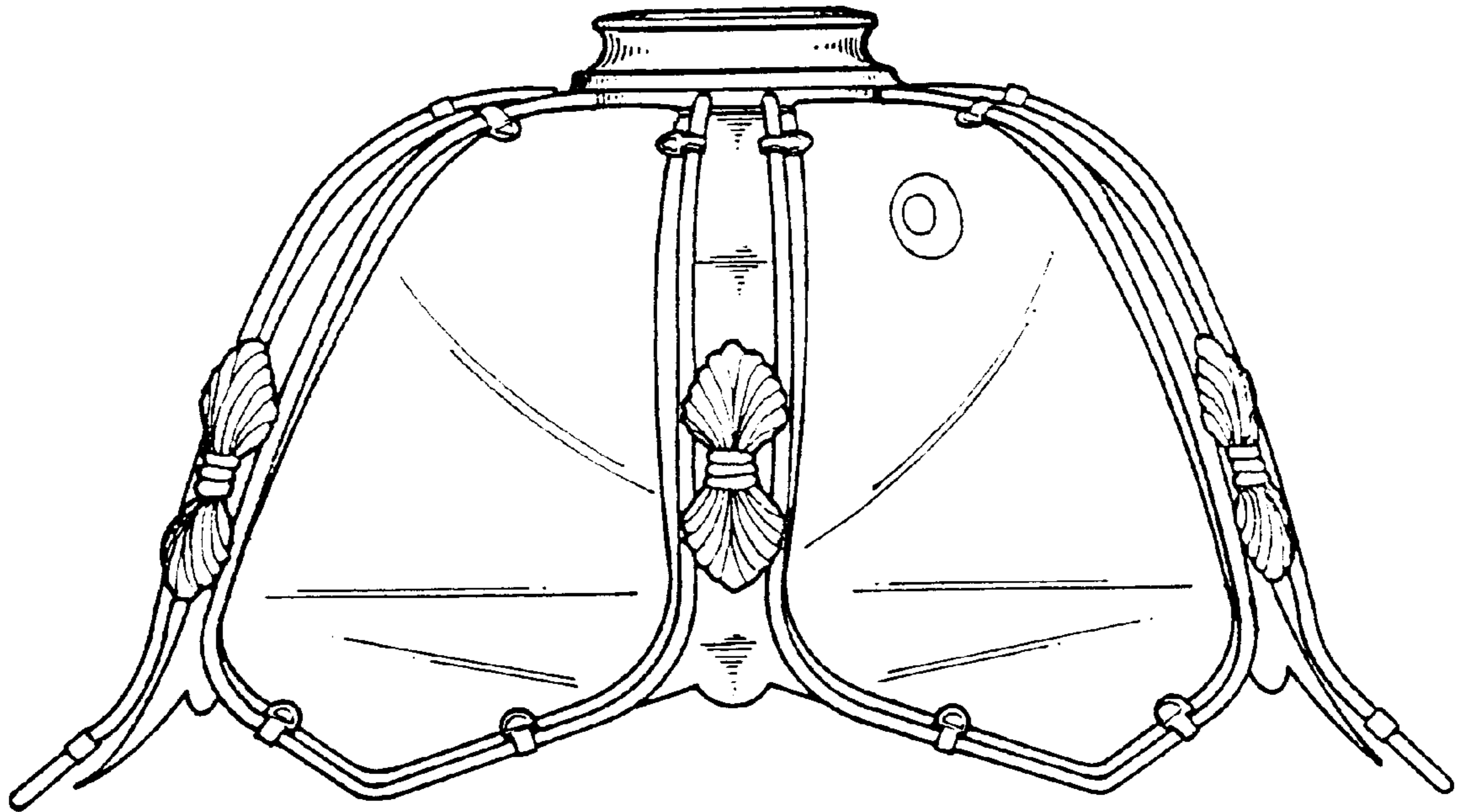


FIG. 4

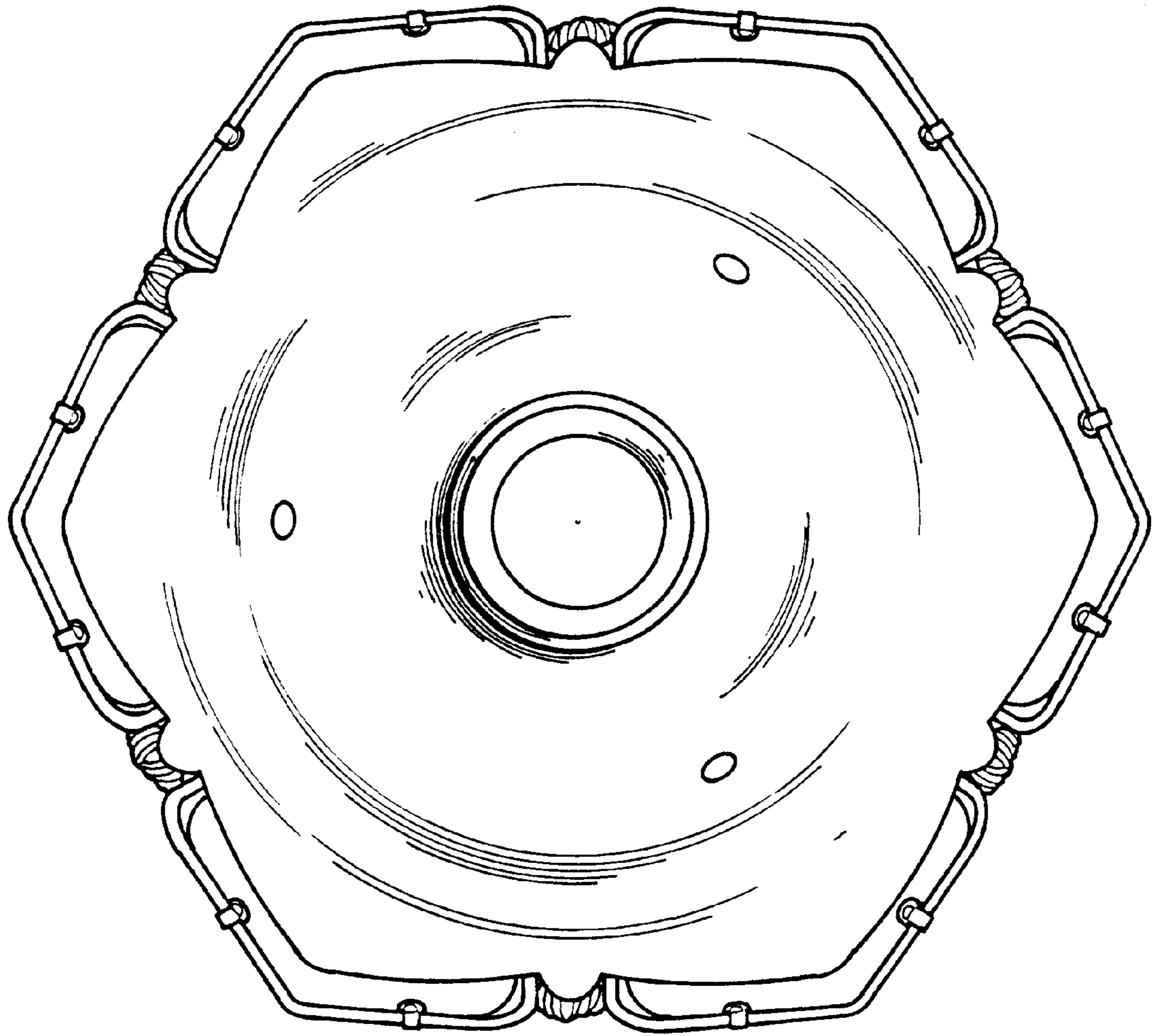
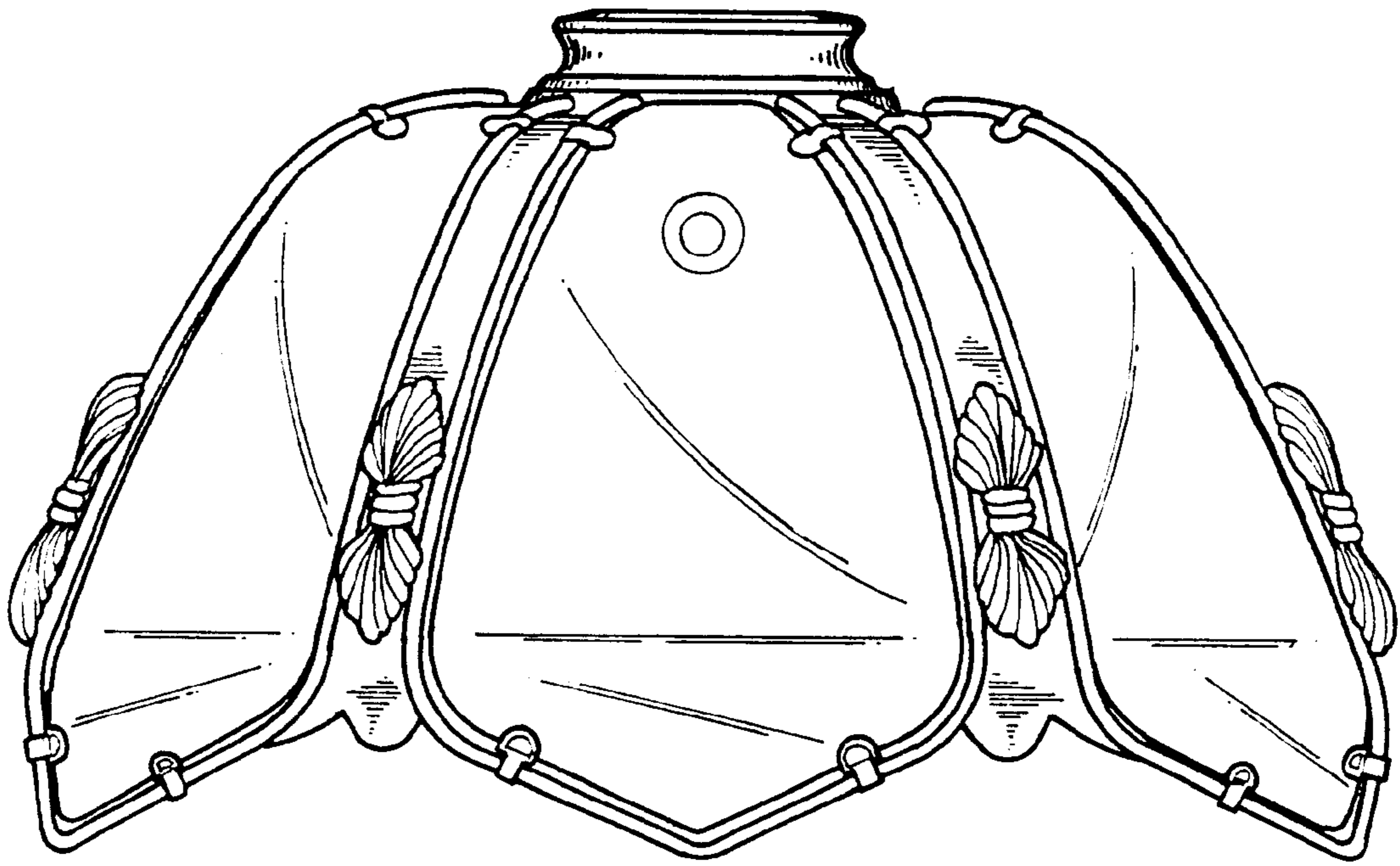


FIG.5



*FIG. 6*

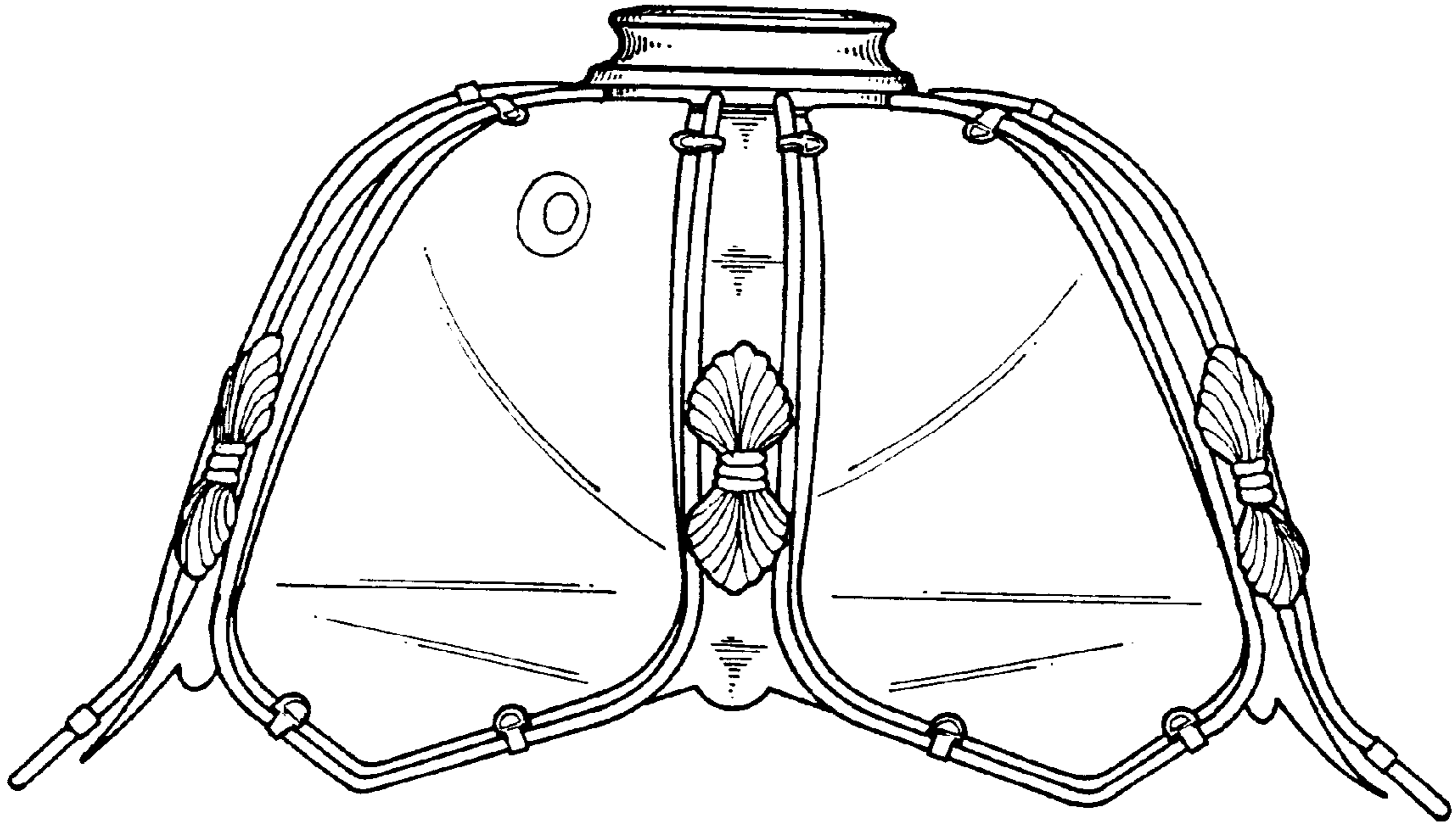


FIG. 7