



US00D437074S

(12) **United States Design Patent**  
**Johnson**

(10) **Patent No.:** **US D437,074 S**

(45) **Date of Patent:** **\*\* Jan. 30, 2001**

(54) **KITCHEN DOWN LIGHT**

(75) Inventor: **Aaron Johnson**, Fort Worth, TX (US)

(73) Assignee: **Davoil, Inc.**, Fort Worth, TX (US)

(\*\*) Term: **14 Years**

(21) Appl. No.: **29/125,325**

(22) Filed: **Jun. 22, 2000**

(51) **LOC (7) Cl.** ..... **26-05**

(52) **U.S. Cl.** ..... **D26/74**

(58) **Field of Search** ..... D26/72, 75, 76,  
D26/77, 78, 80-92; 362/147, 404-408,  
432

(56) **References Cited**

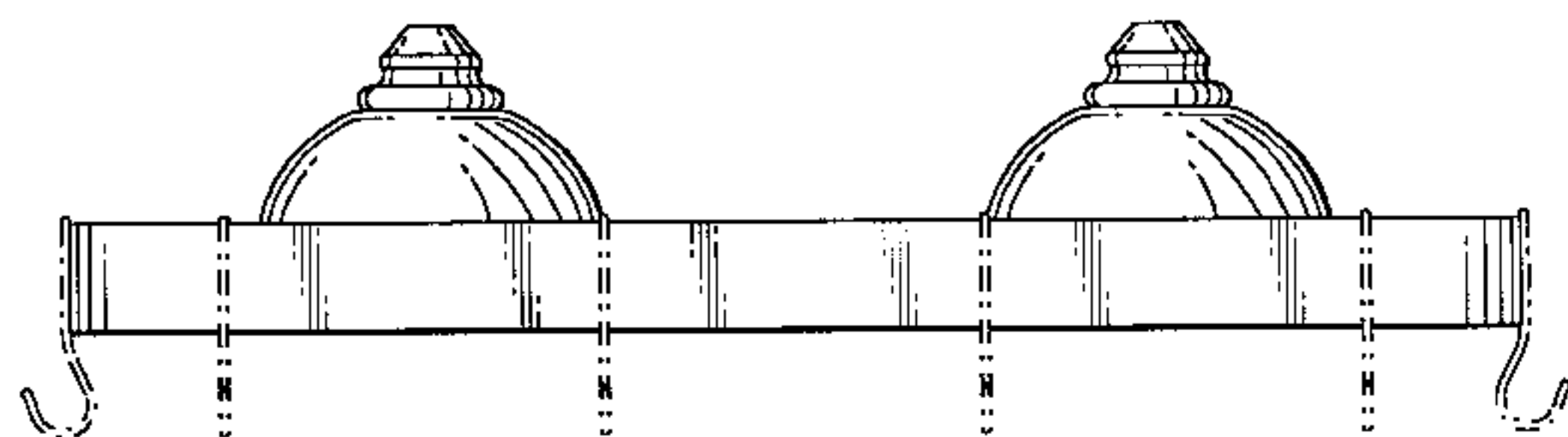
**U.S. PATENT DOCUMENTS**

- D. 411,031 \* 6/1999 Conn ..... D26/74 D
- D. 417,027 \* 11/1999 Cece ..... D26/74
- 939,062 \* 11/1909 Mygatt ..... D26/118
- 1,755,737 \* 4/1930 Kesselring ..... D26/118 X

**OTHER PUBLICATIONS**

Taiwan Lighting, Aug. 1997, p. 315, reflector P7.\*  
National Lighting Supply catalog, May 1997, metal holder #T-7.\*

\* cited by examiner



*Primary Examiner*—Susan J. Lucas

(74) *Attorney, Agent, or Firm*—Felsman, Bradley, Vaden, Gunter & Dillon, LLP

(57) **CLAIM**

The ornamental design for a kitchen down light, as shown and described.

**DESCRIPTION**

FIG. 1 is a front view of the kitchen down light, with the back view being a mirror image of FIG. 1 in accordance with the present invention;

FIG. 2 is a top view of the kitchen down light in accordance with the present invention;

FIG. 3 is a right side view of the kitchen down light in accordance with the present invention, with the left side view being a mirror image of FIG. 3;

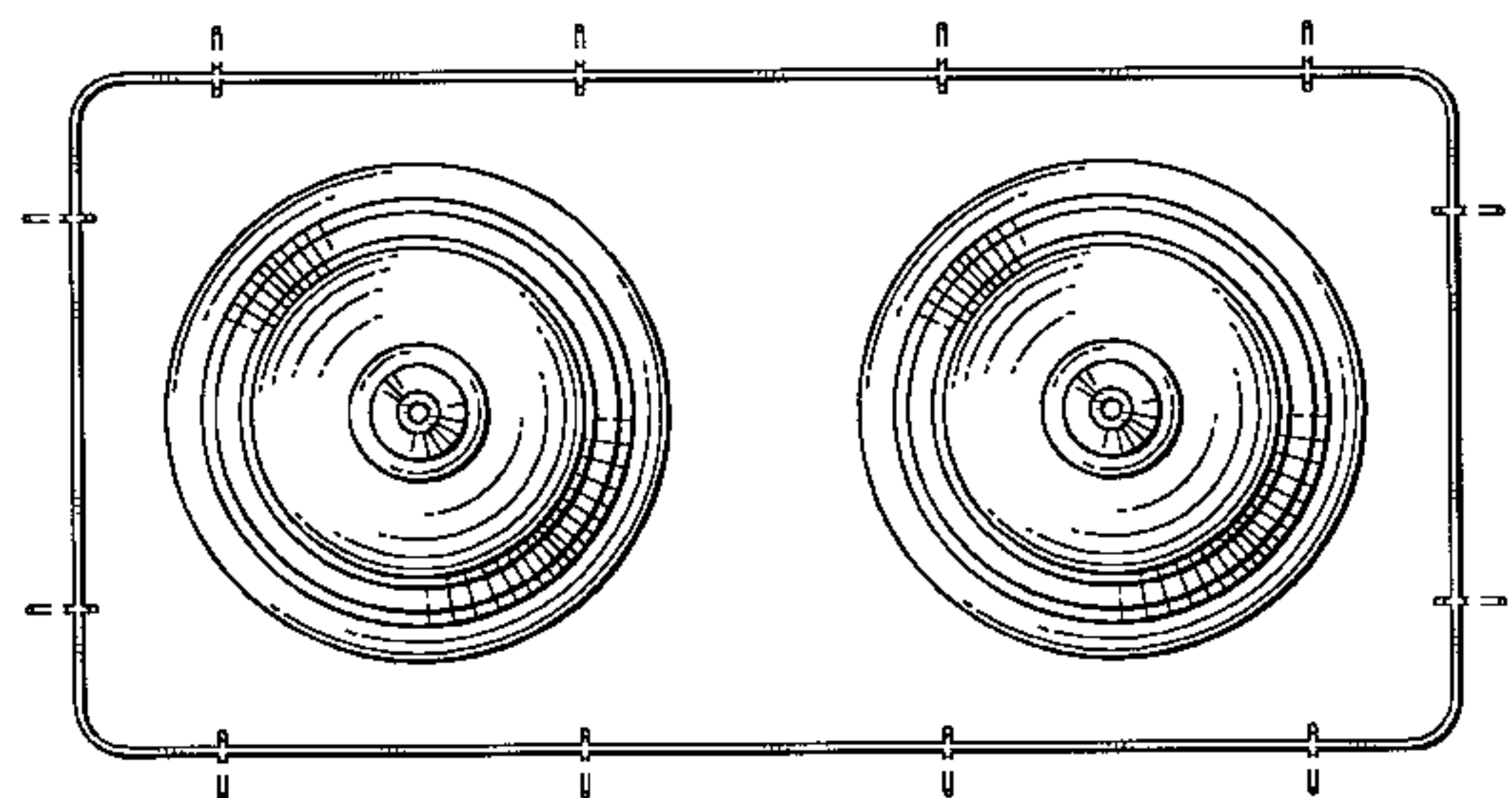
FIG. 4 is a bottom view of the kitchen down light in accordance with the present invention;

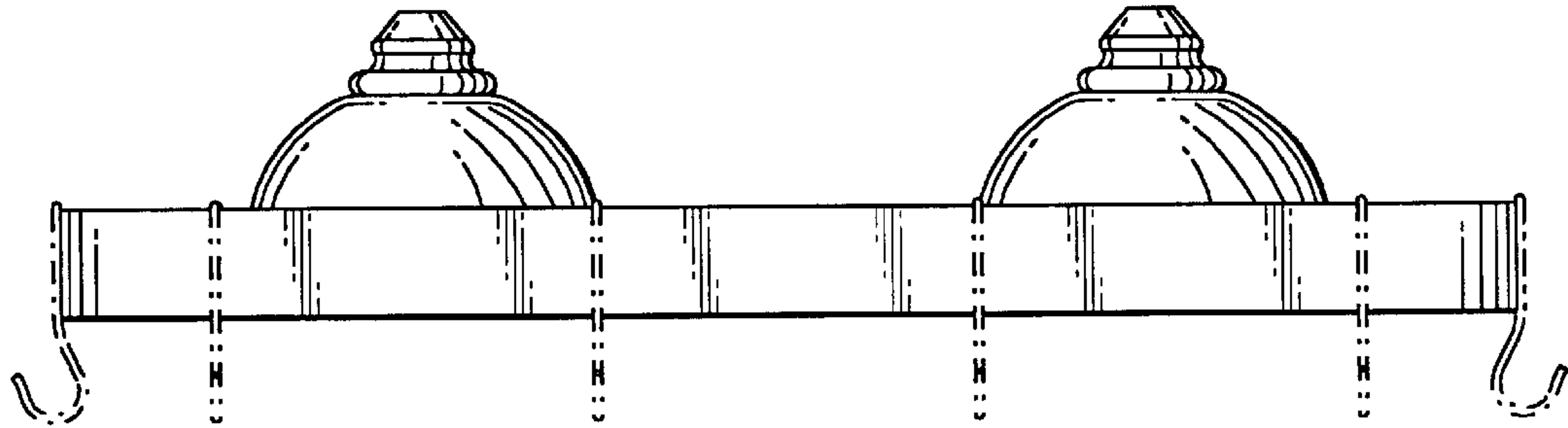
FIGS. 5, 6, and 7 are side, top, and bottom views, respectively, of an alternative kitchen down light in accordance with the present invention; and,

FIGS. 8, 9, and 10 are, side, top, and bottom views, respectively, of an alternative kitchen down light in accordance with the present invention.

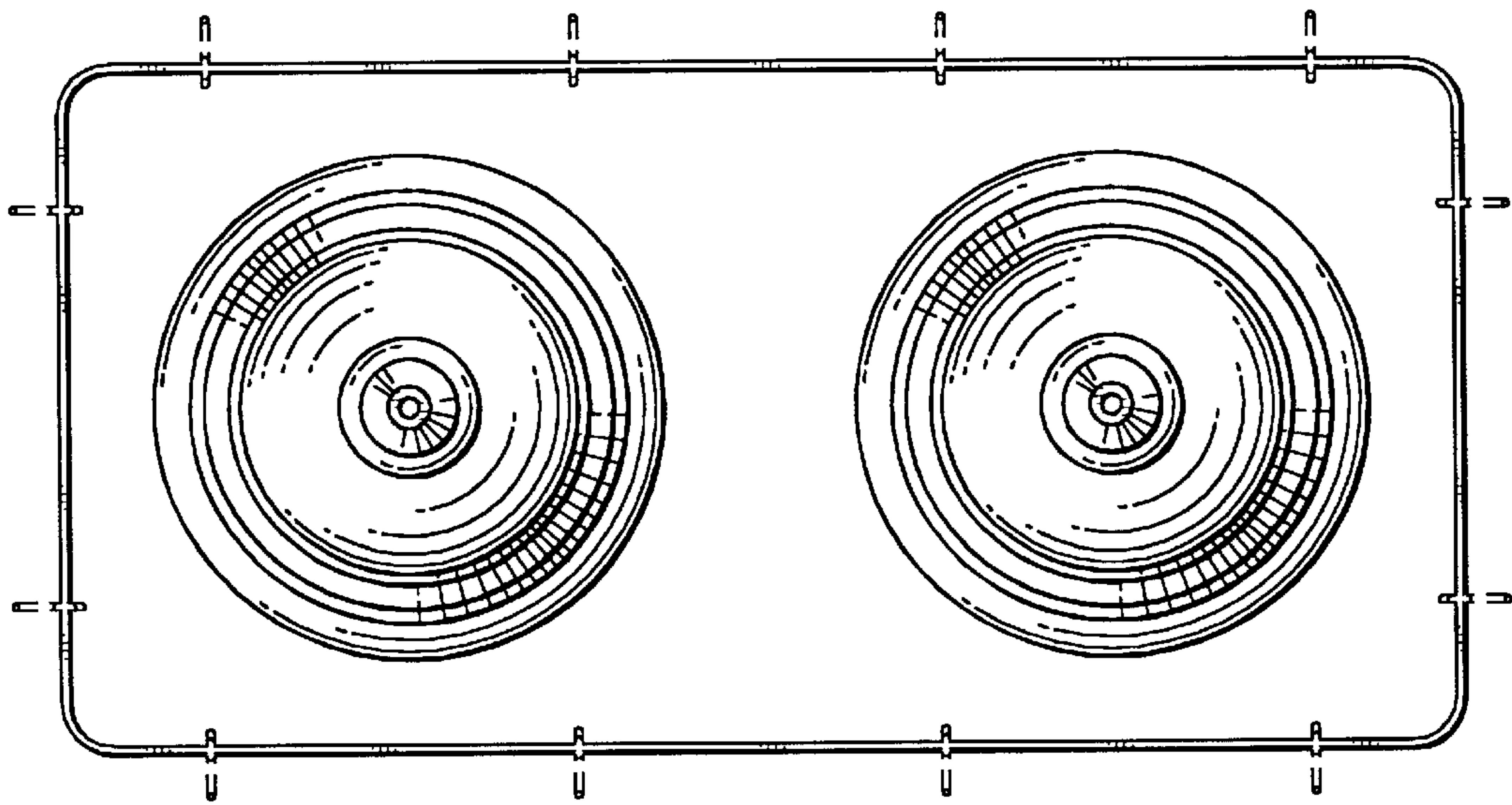
Any dashed lines depict environment and are not part of the claimed design. In addition, any stippling shown in the drawing is for shading purposes, and does not form a part of the claimed design.

**1 Claim, 4 Drawing Sheets**

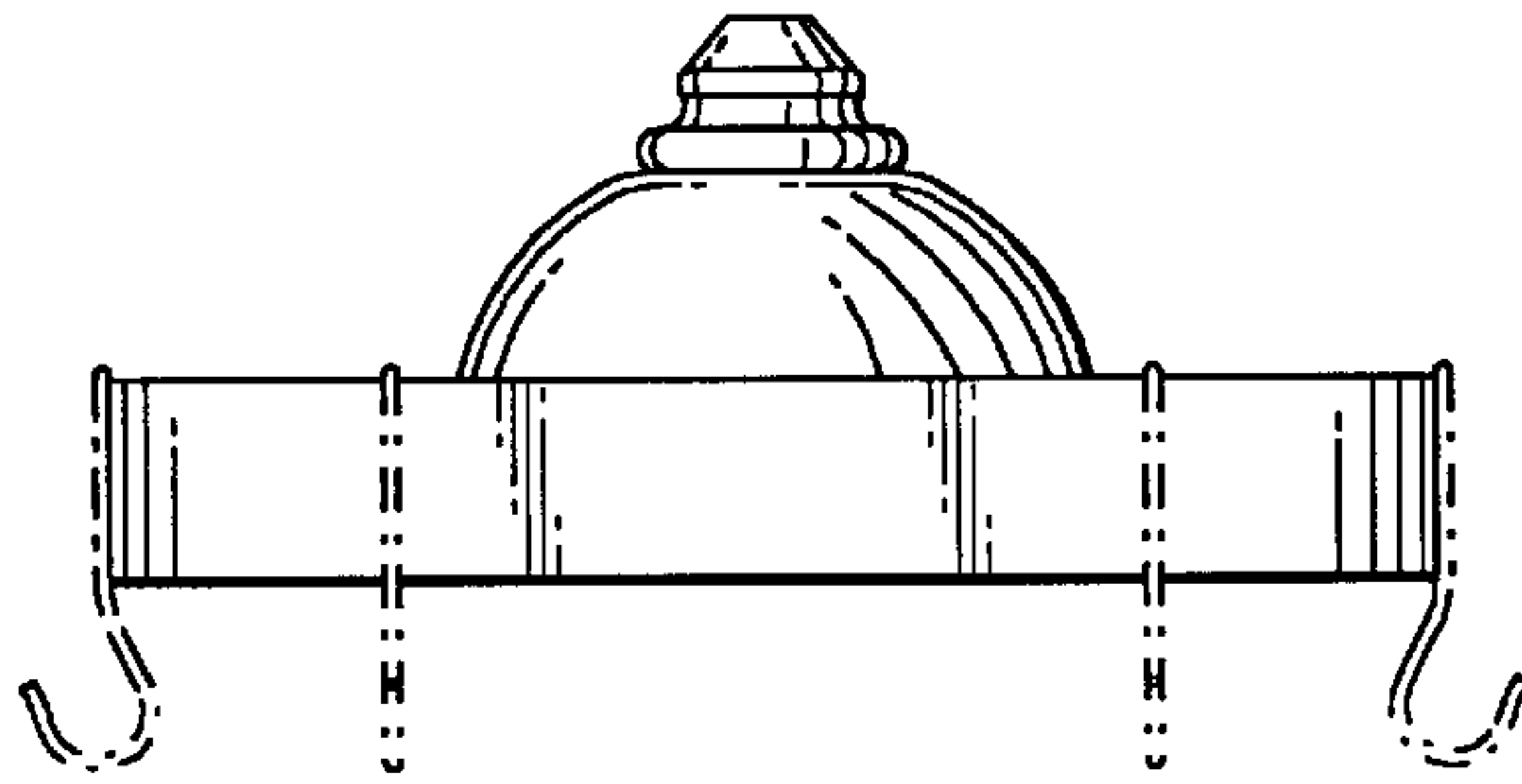




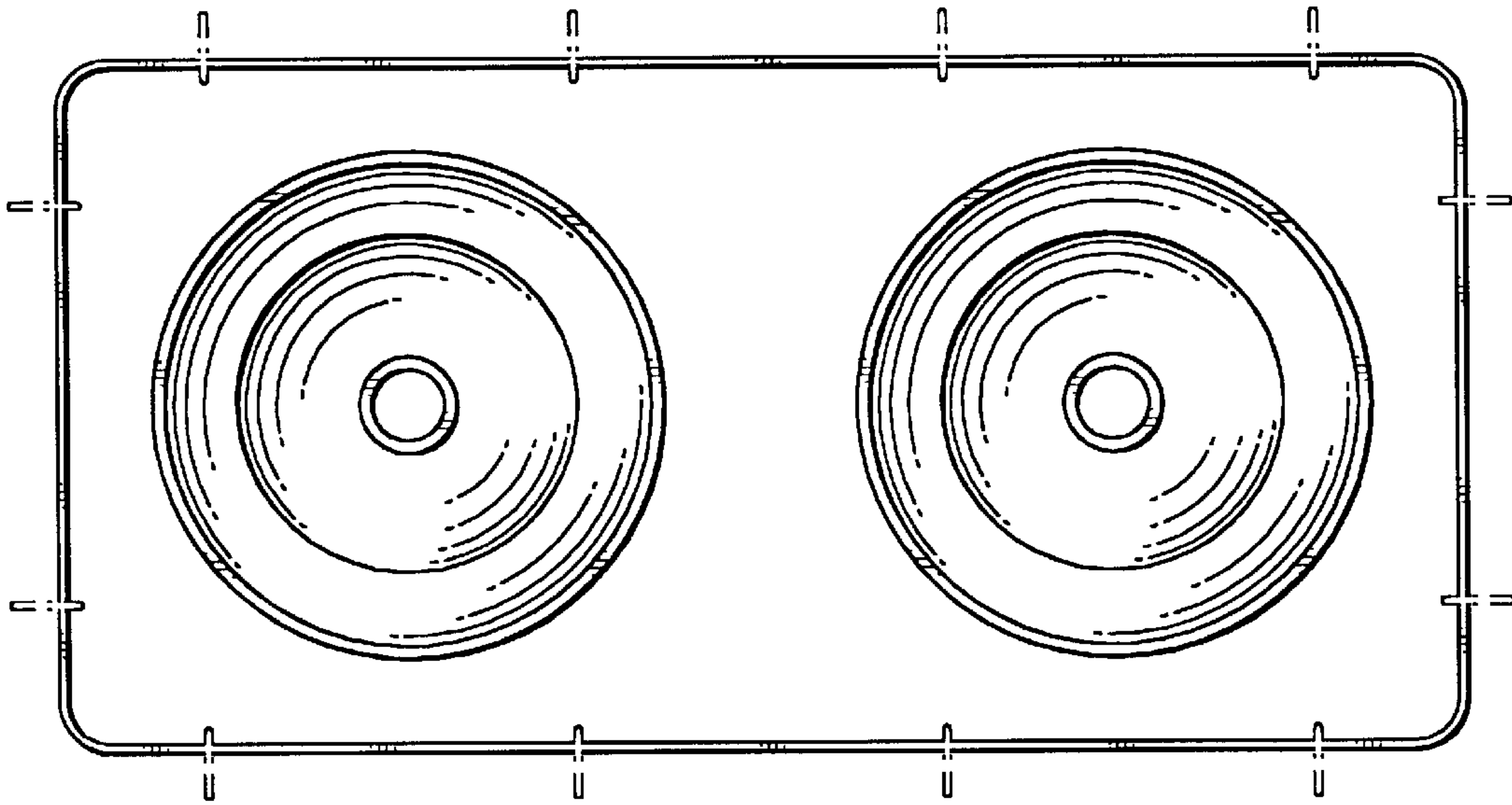
*Fig. 1*



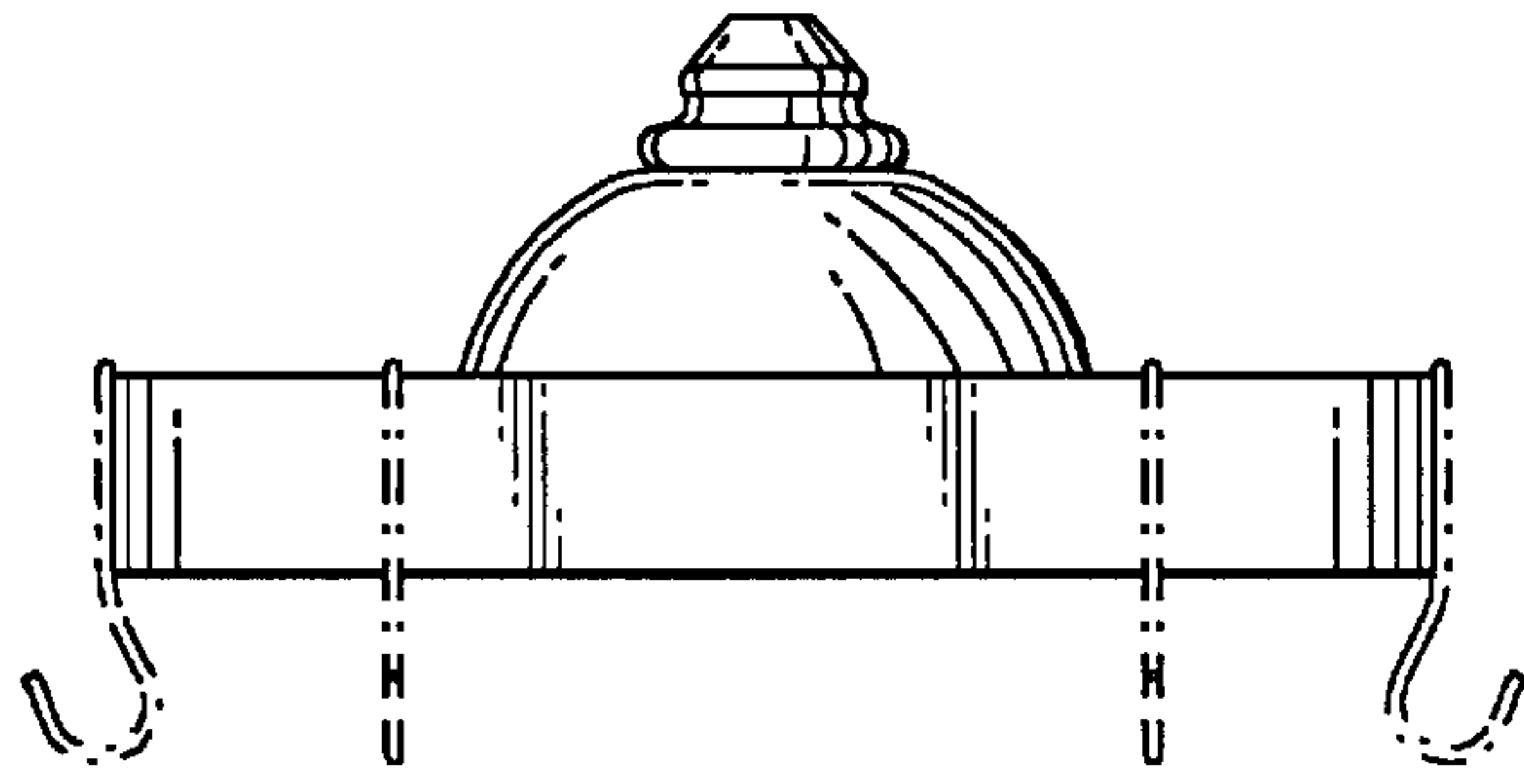
*Fig. 2*



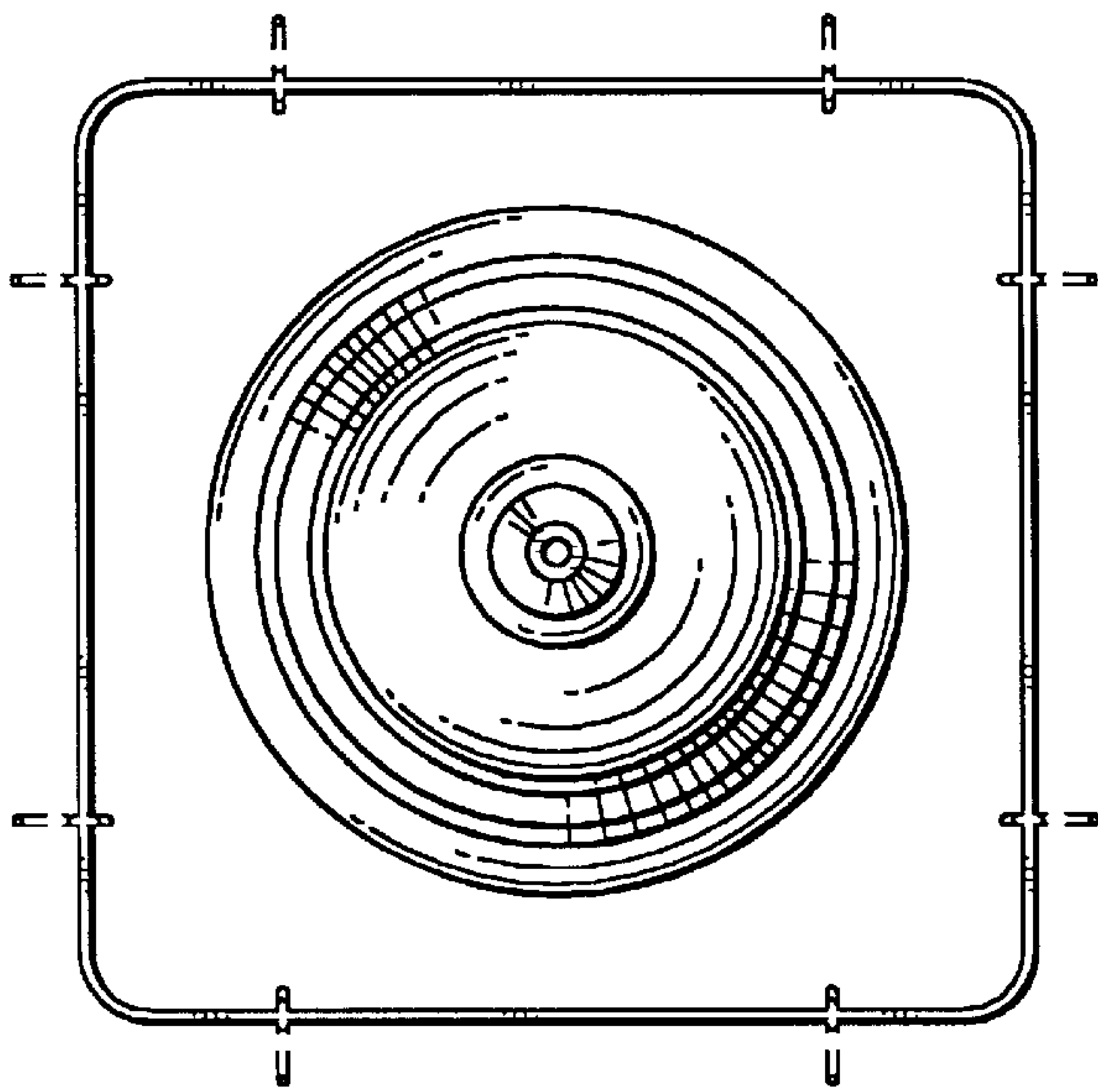
*Fig. 3*



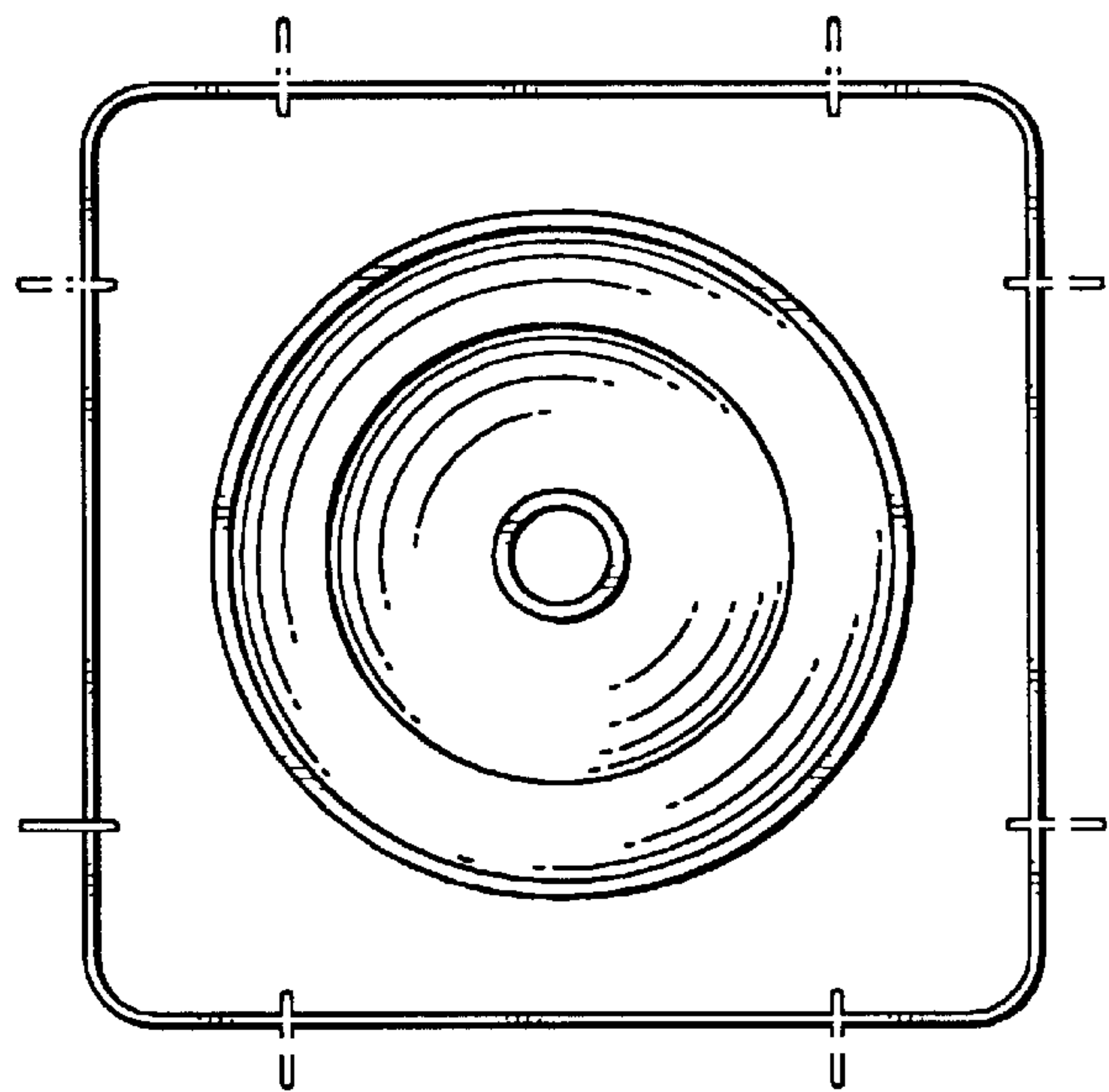
*Fig. 4*



*Fig. 5*

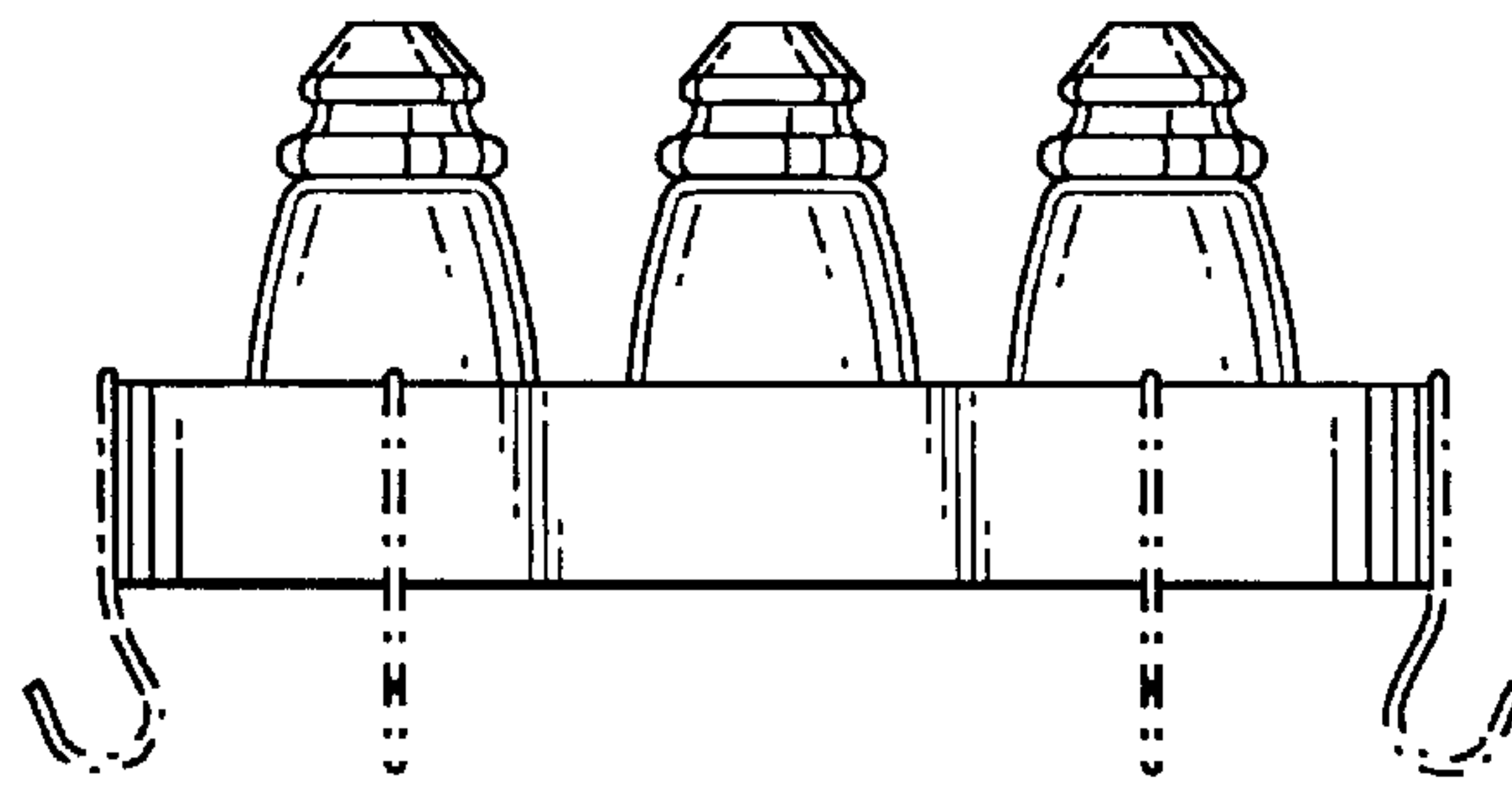


*Fig. 6*

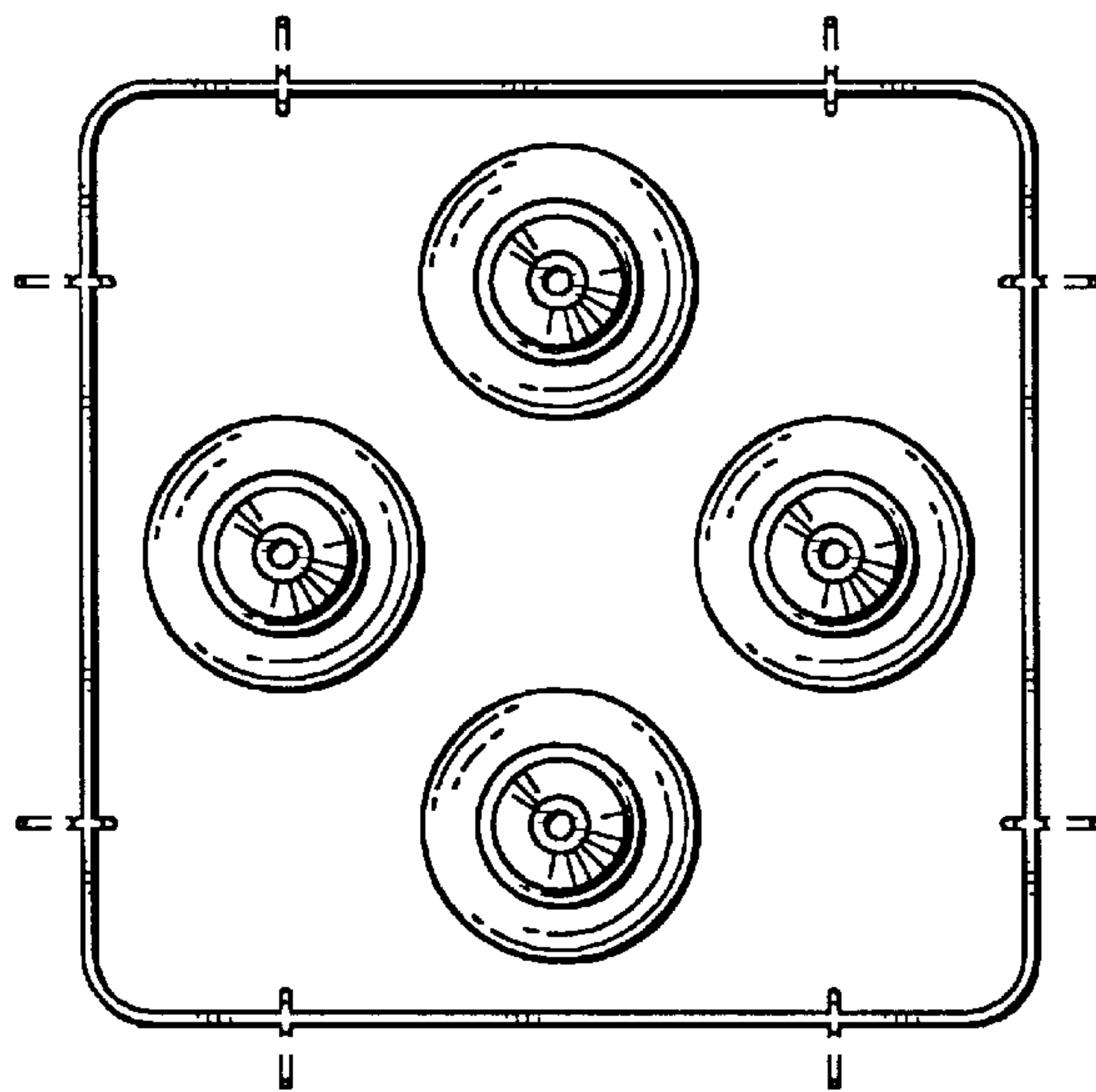


*Fig. 7*





*Fig. 8*



*Fig. 9*

*Fig. 10*

