



US00D437072S

(12) **United States Design Patent**  
**Newhouse**

(10) **Patent No.:** **US D437,072 S**

(45) **Date of Patent:** **\*\* Jan. 30, 2001**

(54) **DESK LAMP WITH ARTICULATING ARM**

**DESCRIPTION**

- (76) Inventor: **Thomas J. Newhouse**, 0-10923 2nd Ave., Grand Rapids, MI (US) 49544-6753
- (\*\*) Term: **14 Years**
- (21) Appl. No.: **29/119,421**
- (22) Filed: **Feb. 29, 2000**
- (51) **LOC (7) Cl.** ..... **26-60**
- (52) **U.S. Cl.** ..... **D26/63; 26/5**
- (58) **Field of Search** ..... D26/60-65, 118; 362/410-414, 269, 271, 272, 275, 281, 282, 285, 287, 418, 419, 427, 341, 347, 350, 361

FIG. 1 is a front perspective view of a desk lamp with articulating arm showing my new design with a desk top base;

FIG. 2 is a back perspective view thereof;

FIG. 3 is a front elevational view thereof;

FIG. 4 is a rear elevational view thereof;

FIG. 5 is a side elevational view thereof, the opposing side elevational view being a mirror image thereof;

FIG. 6 is a top plan view thereof; and

FIG. 7 is a bottom plan view thereof; and

FIG. 8 is a front perspective view of a desk lamp with articulating arm showing my new design with a desk top base and external wiring;

FIG. 9 is a back perspective view thereof;

FIG. 10 is a front elevational view thereof;

FIG. 11 is a rear elevational view thereof;

FIG. 12 is a side elevational view thereof, the opposing side elevational view being a mirror image thereof;

FIG. 13 is a top plan view thereof; and

FIG. 14 is a bottom plan view thereof; and

FIG. 15 is a front perspective view of a desk lamp with articulating arm showing my new design with a clamp base and external wiring;

FIG. 16 is a back perspective view thereof;

FIG. 17 is a front elevational view thereof;

FIG. 18 is a rear elevational view thereof;

FIG. 19 is a side elevational view thereof, the opposing side elevational view being a mirror image thereof;

FIG. 20 is a top plan view thereof; and

FIG. 21 is a bottom plan view thereof.

(56) **References Cited**

**U.S. PATENT DOCUMENTS**

D. 125,924	3/1941	Murray .	
D. 385,052 *	10/1997	Huang .....	D26/60
D. 392,068	3/1998	Newhouse .	
D. 408,577	4/1999	Arndt .	
D. 414,578 *	9/1999	Chen et al. ....	D26/65

**OTHER PUBLICATIONS**

Lizell Fall catalog, Fall, 1997, p. 28, table lamp.\*

\* cited by examiner

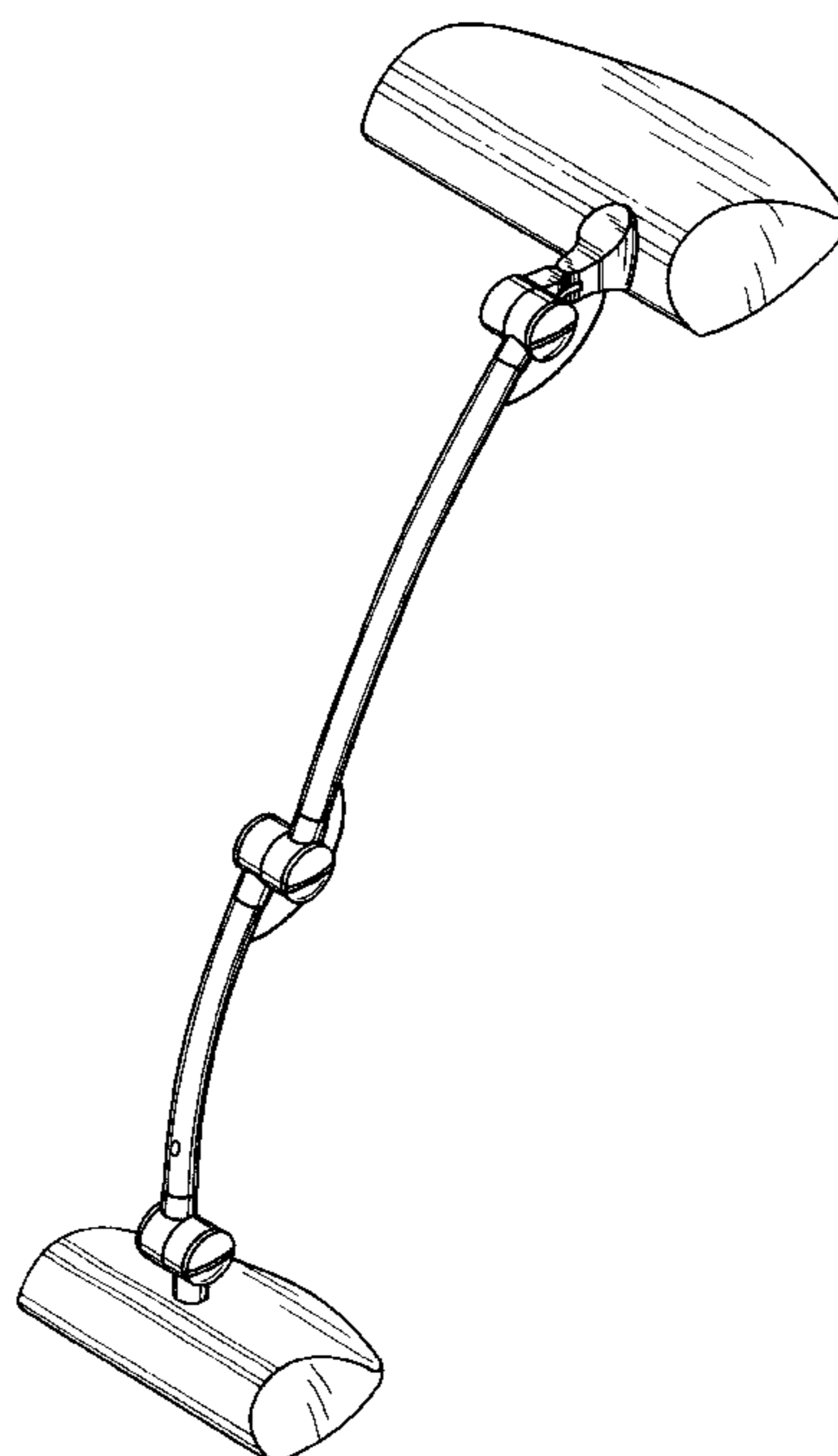
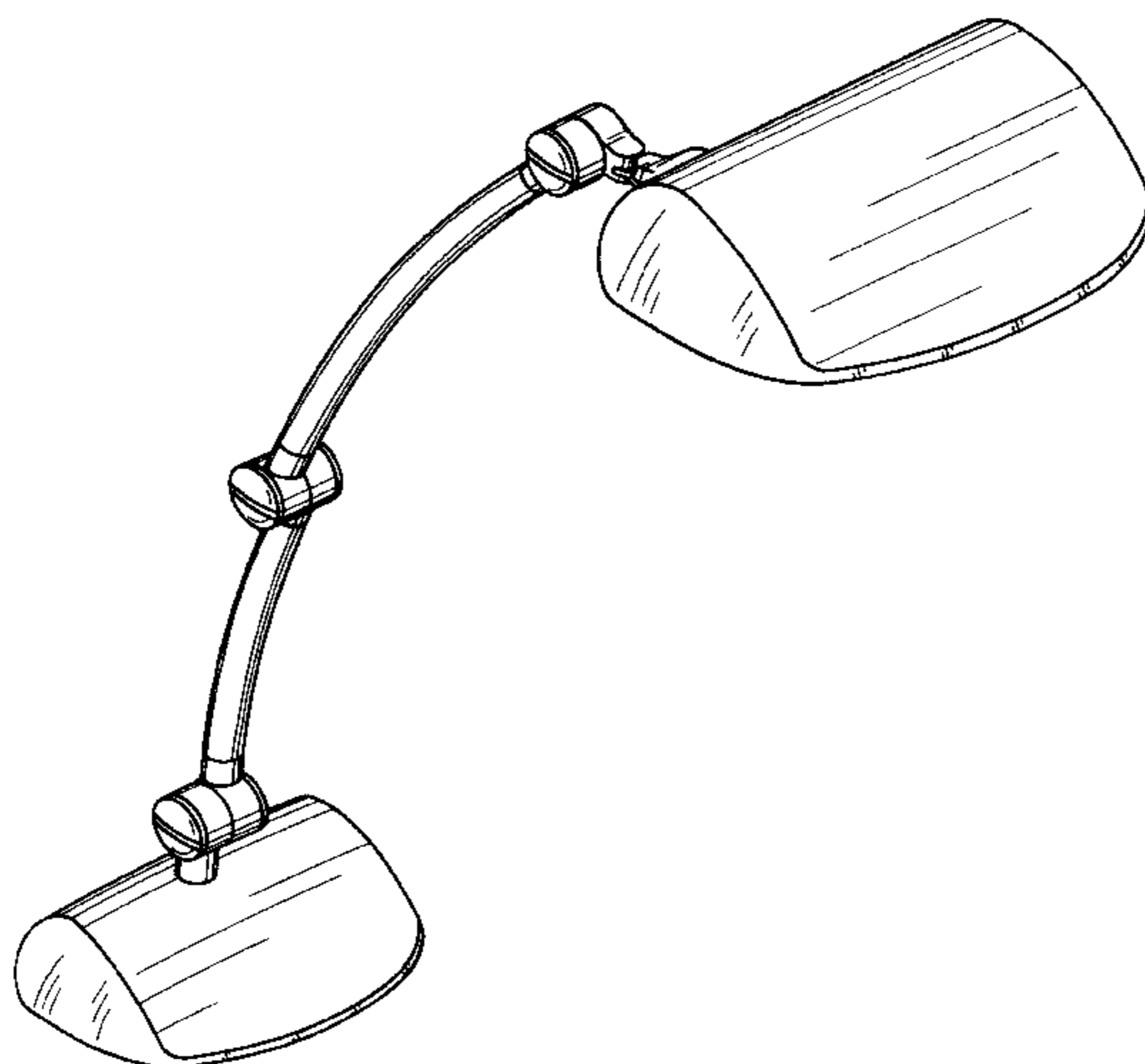
*Primary Examiner*—Susan J. Lucas

(74) *Attorney, Agent, or Firm*—Waters & Morse, P.C.

(57) **CLAIM**

The ornamental design for a desk lamp with articulating arm, as shown and described.

**1 Claim, 21 Drawing Sheets**



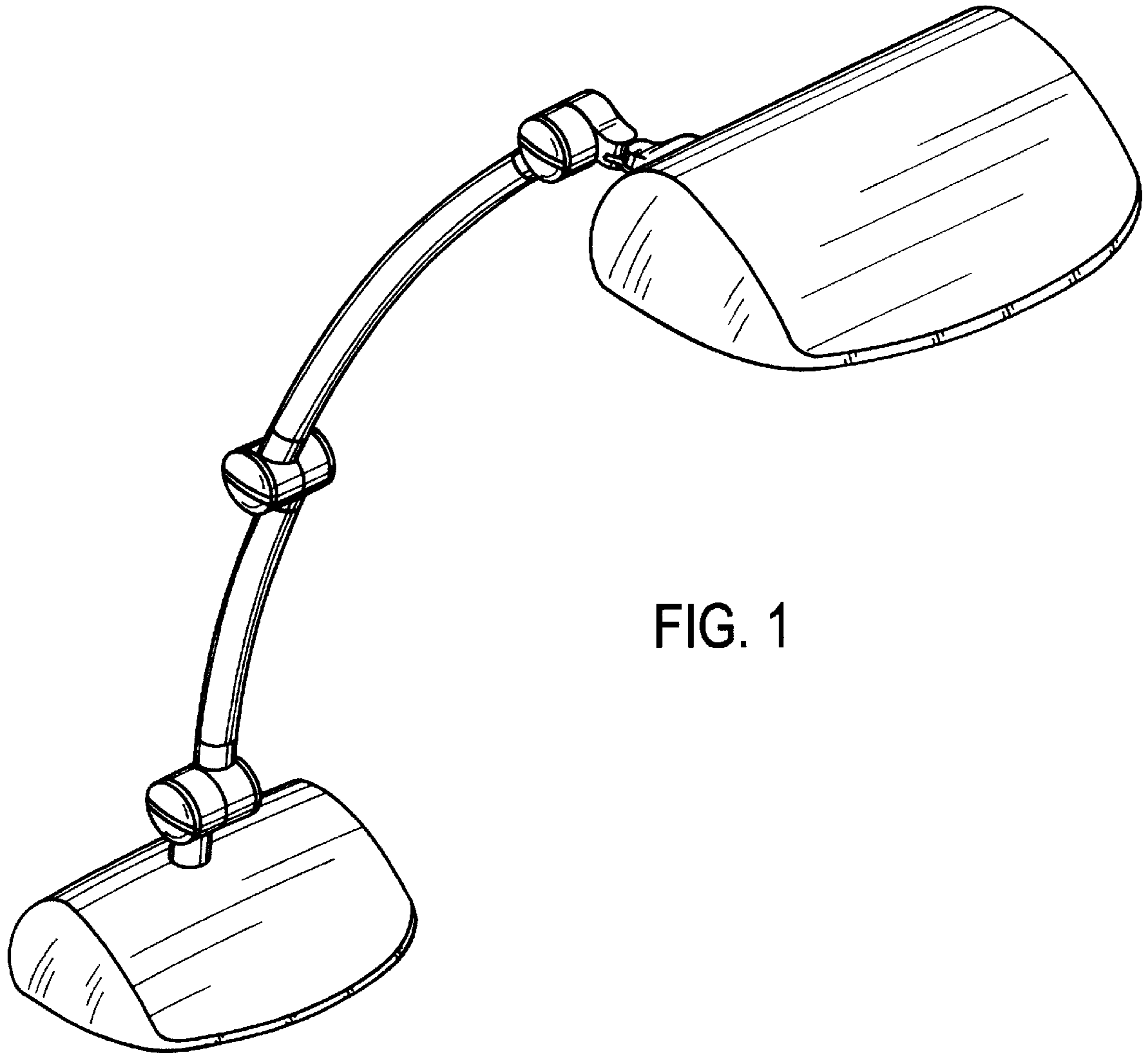


FIG. 1

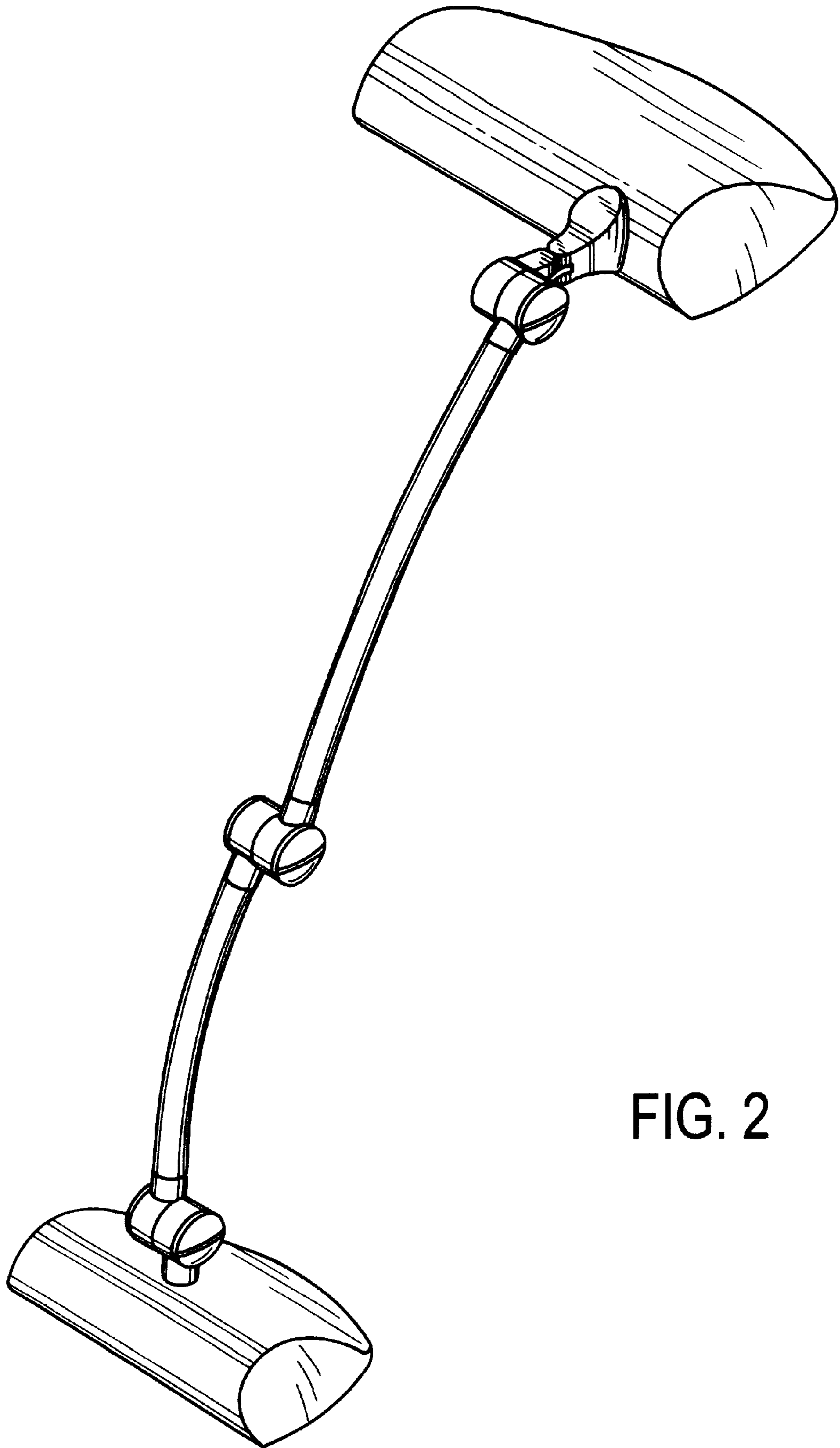


FIG. 2

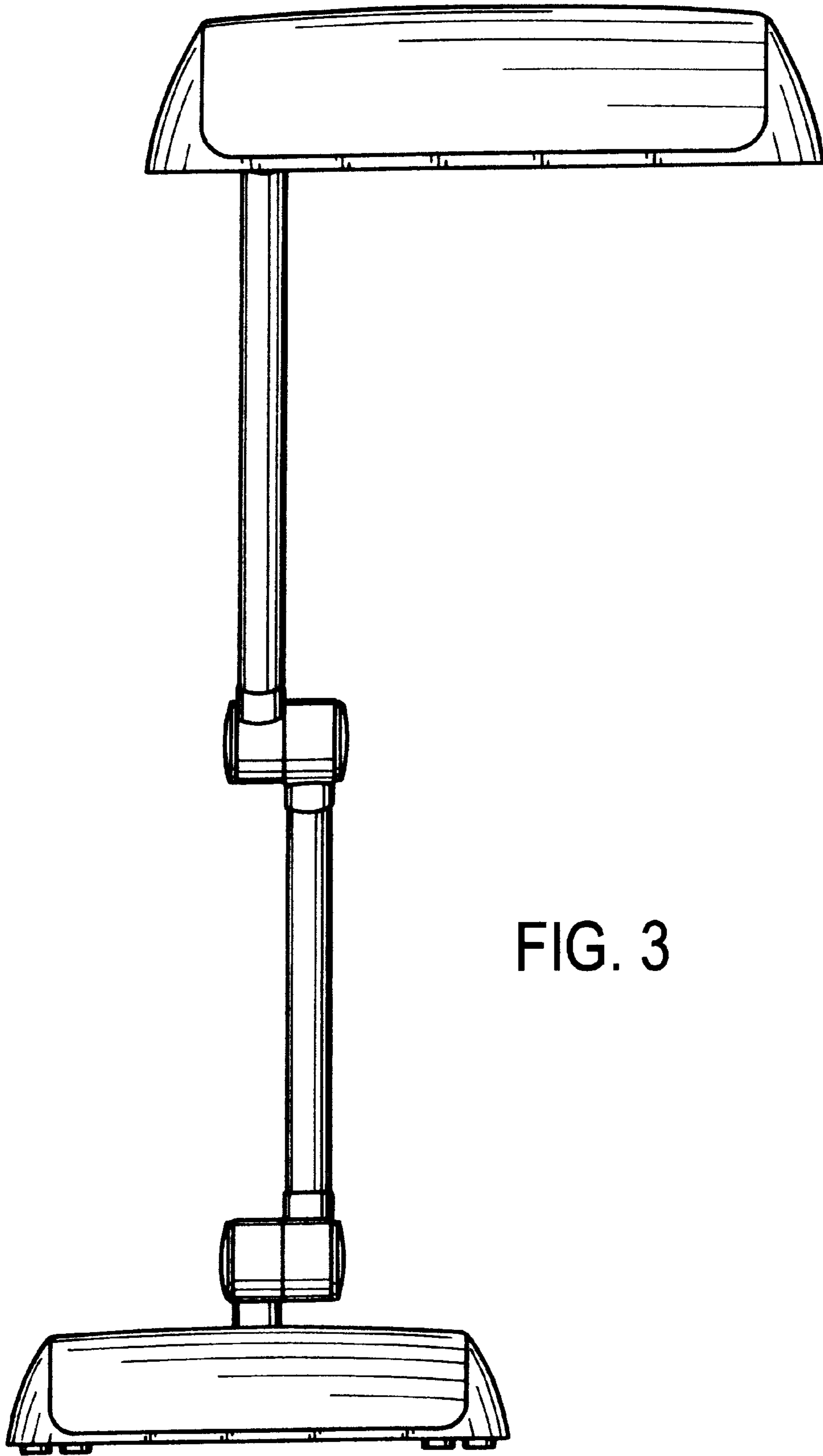


FIG. 3

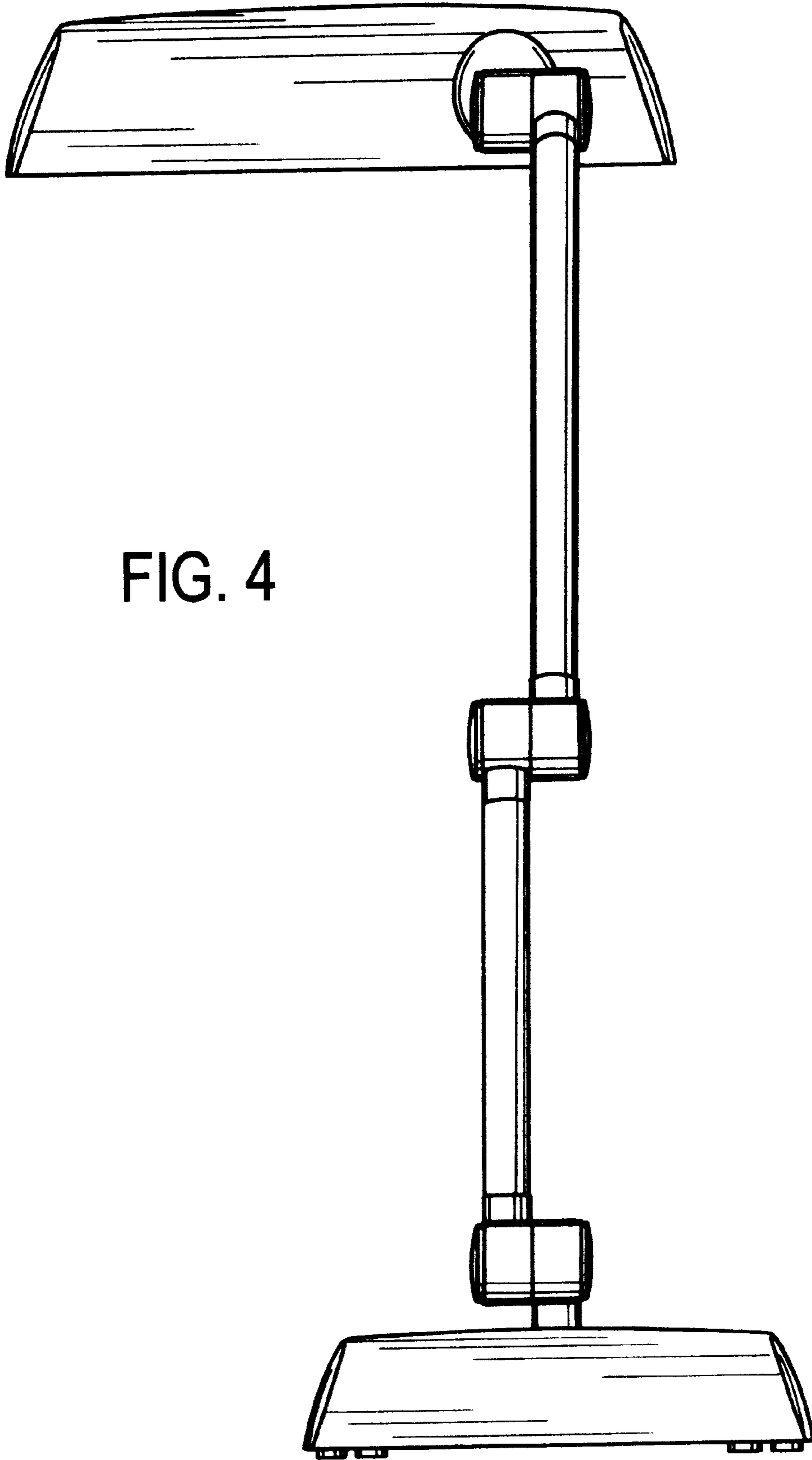


FIG. 4

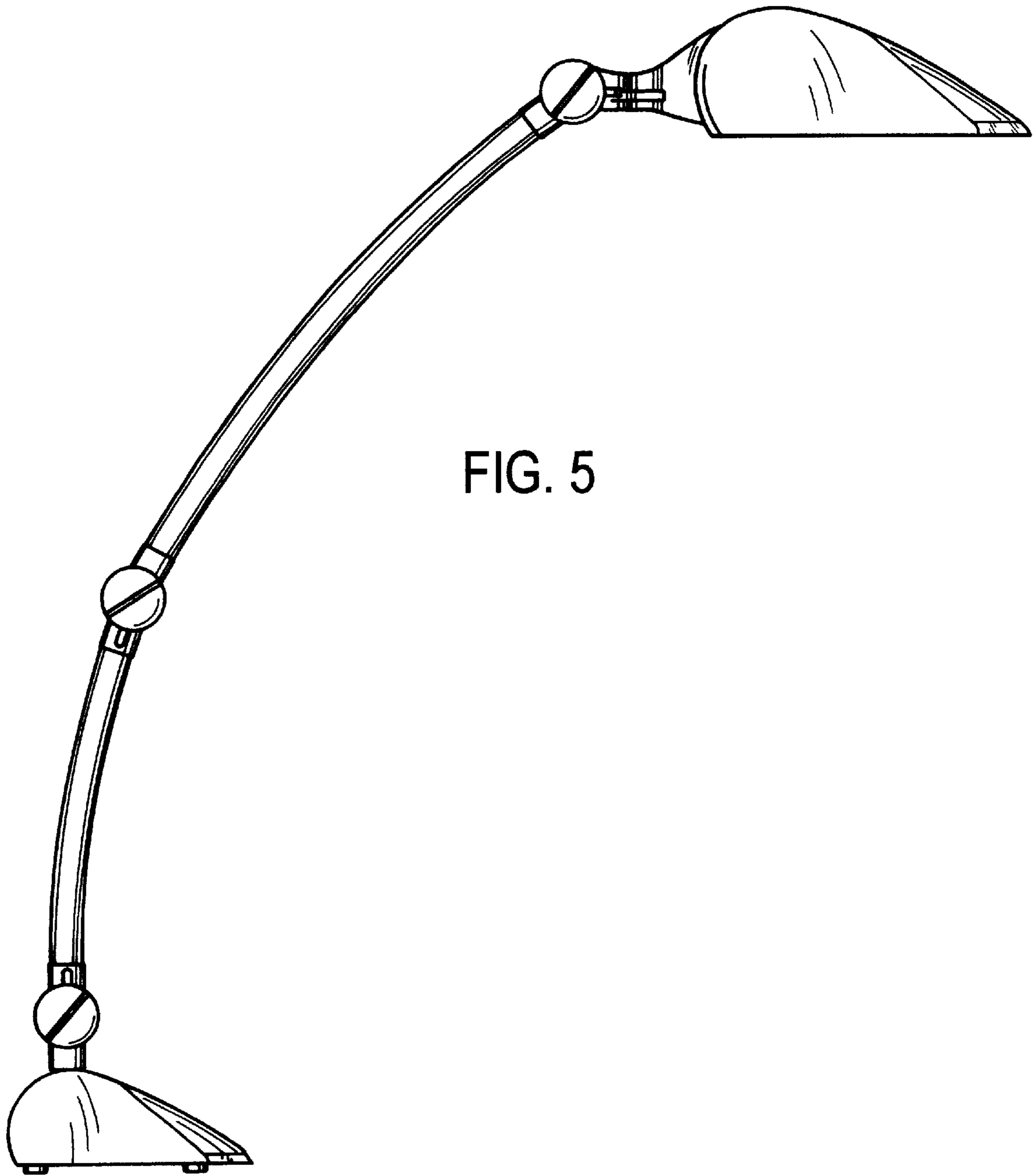


FIG. 5

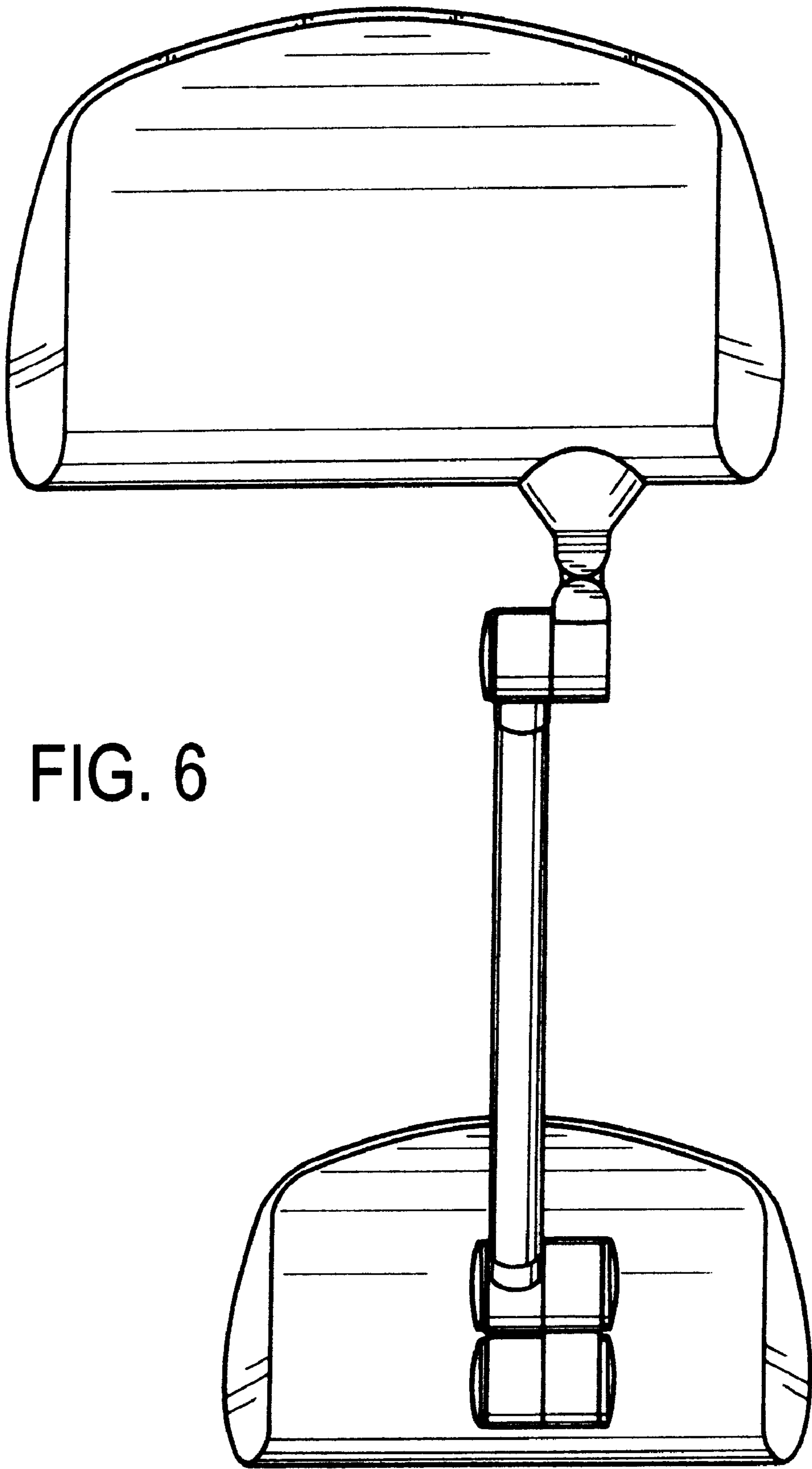


FIG. 6

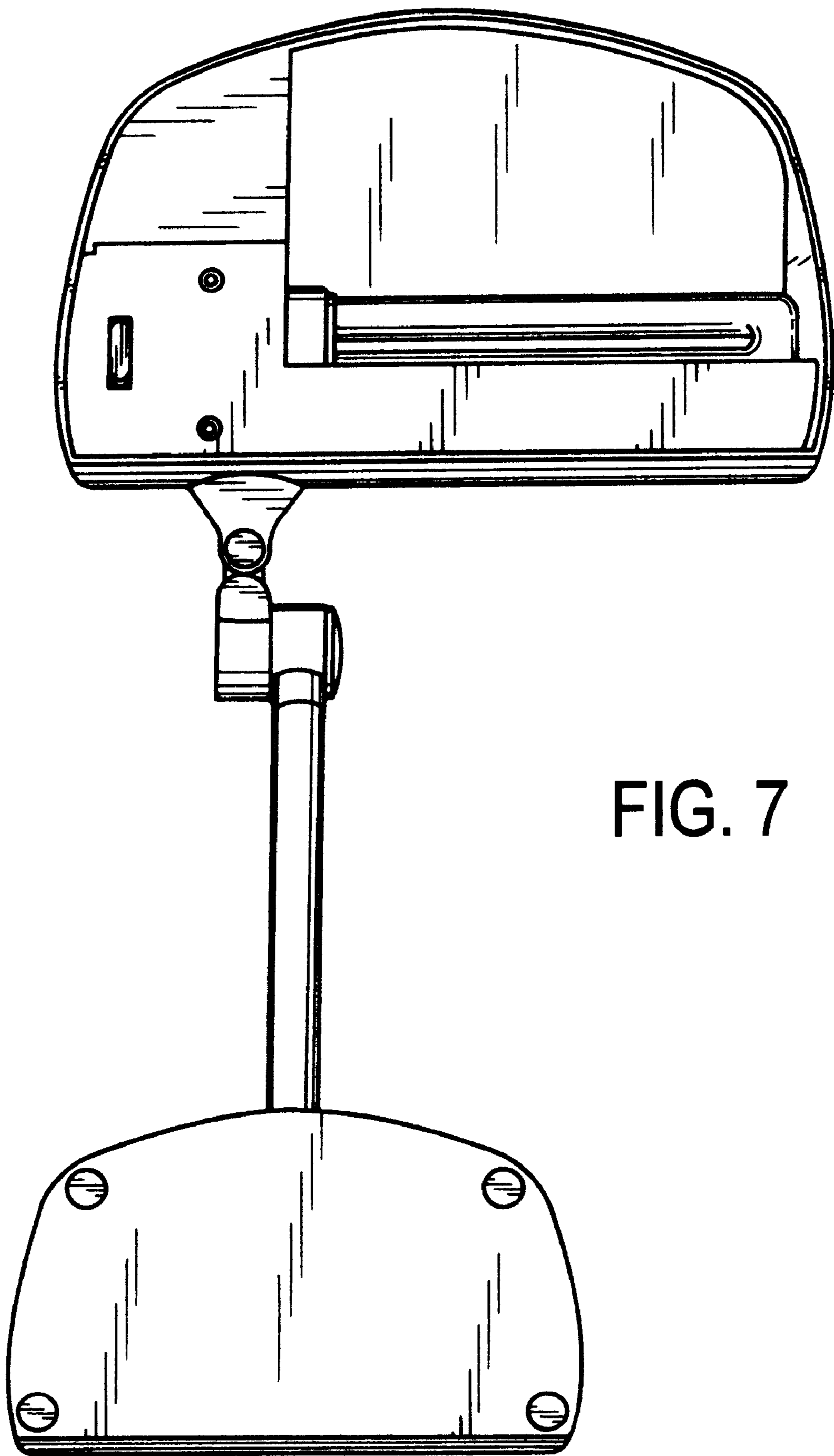


FIG. 7



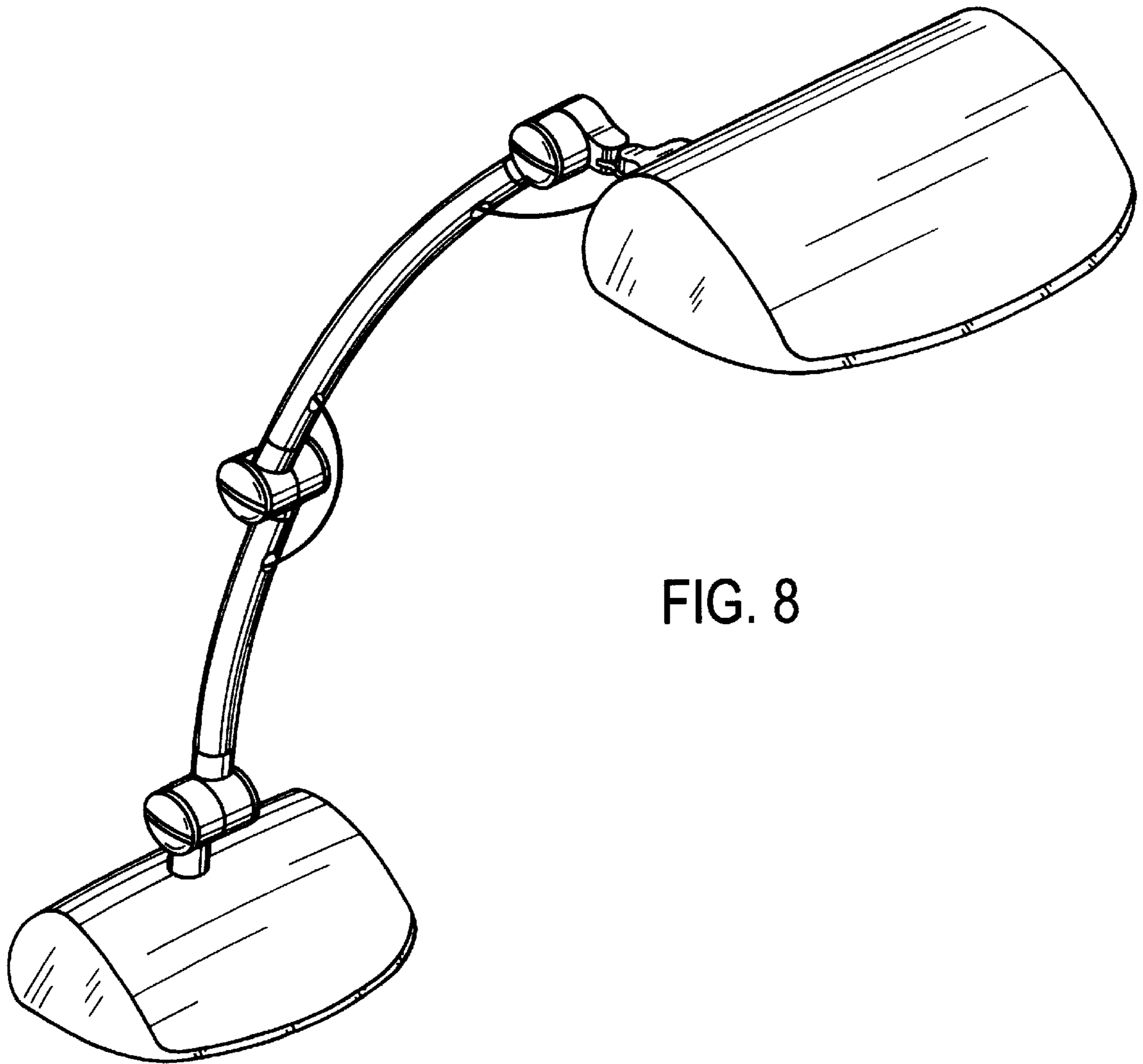


FIG. 8

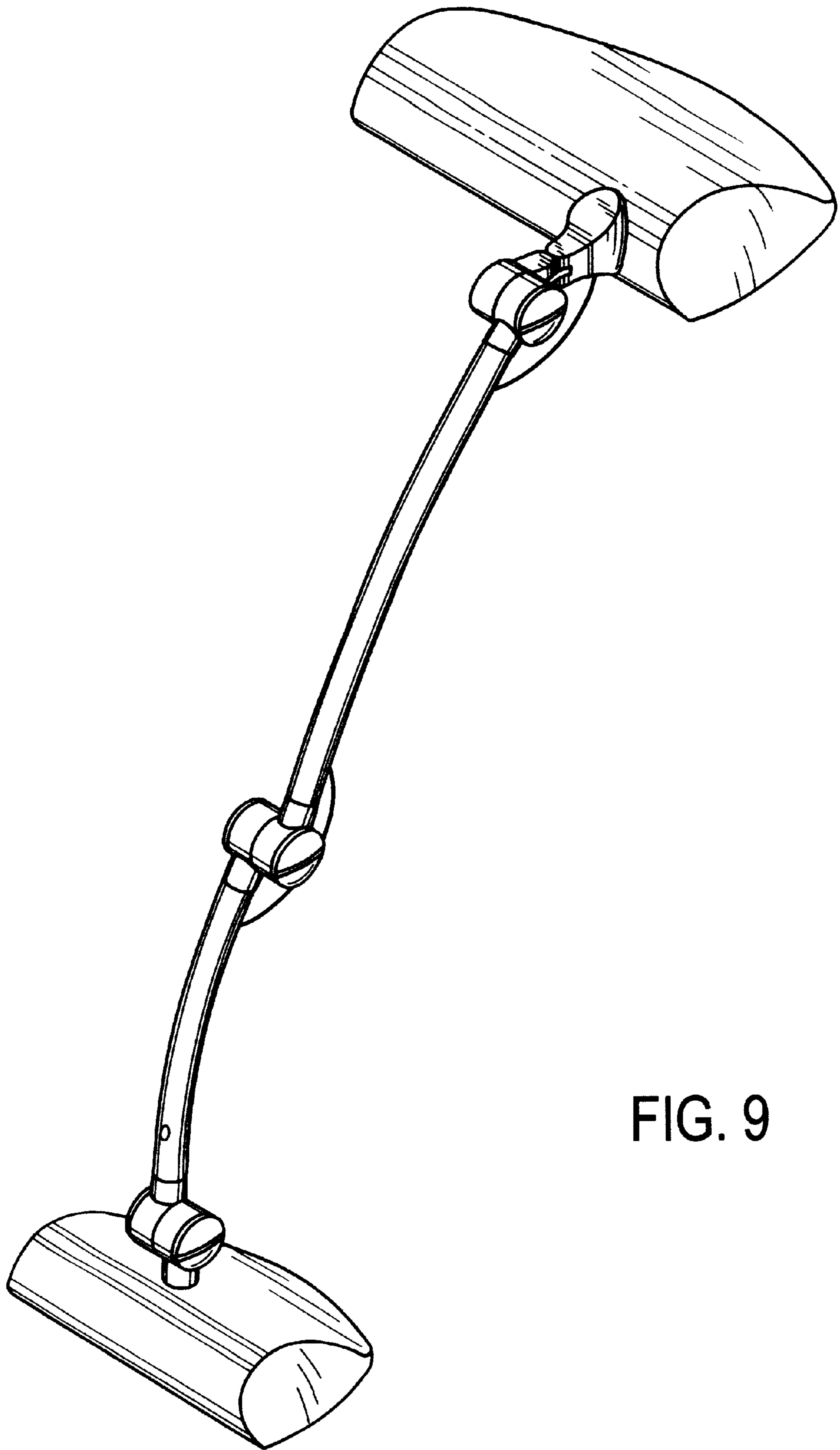


FIG. 9

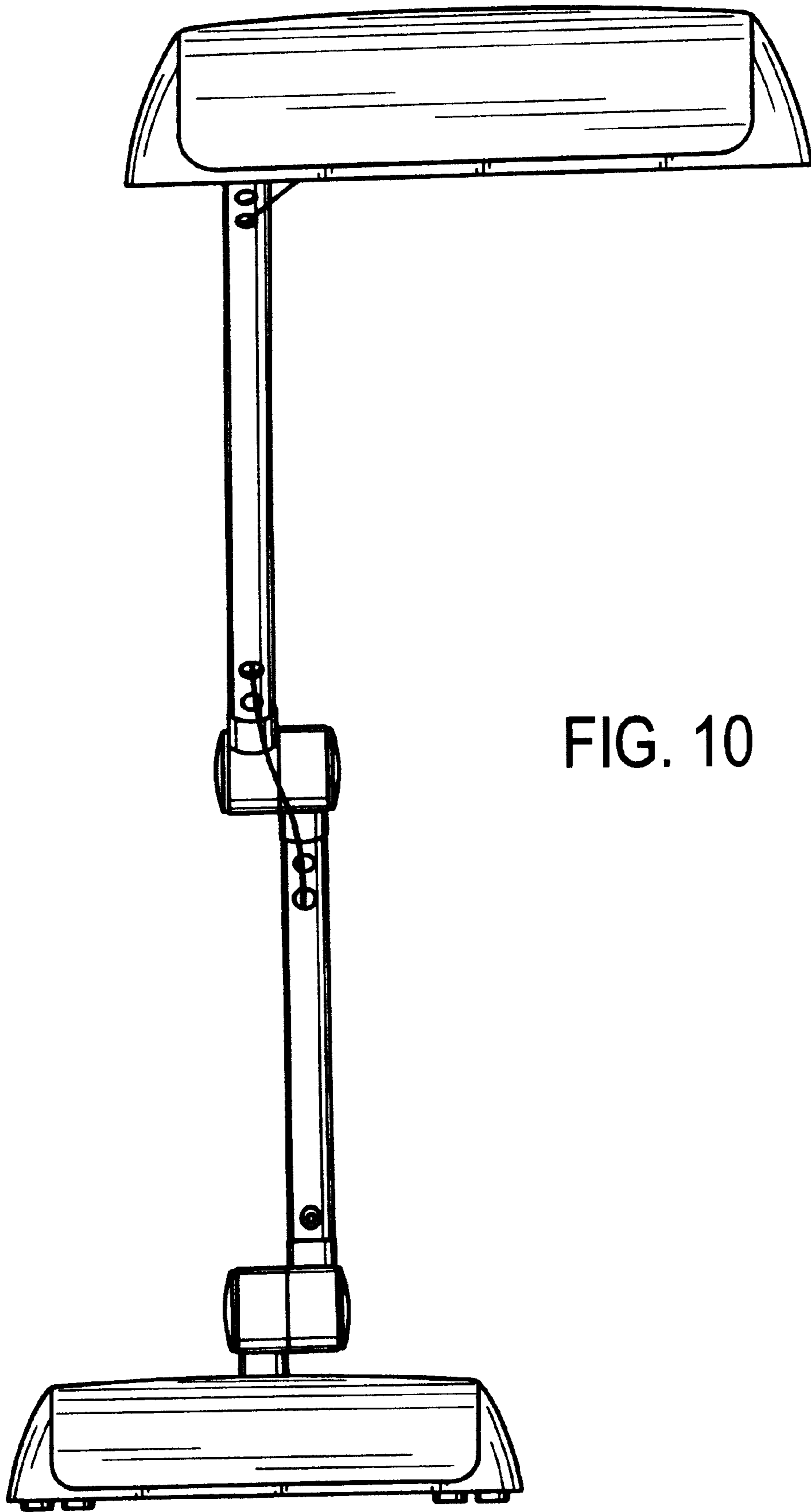


FIG. 10

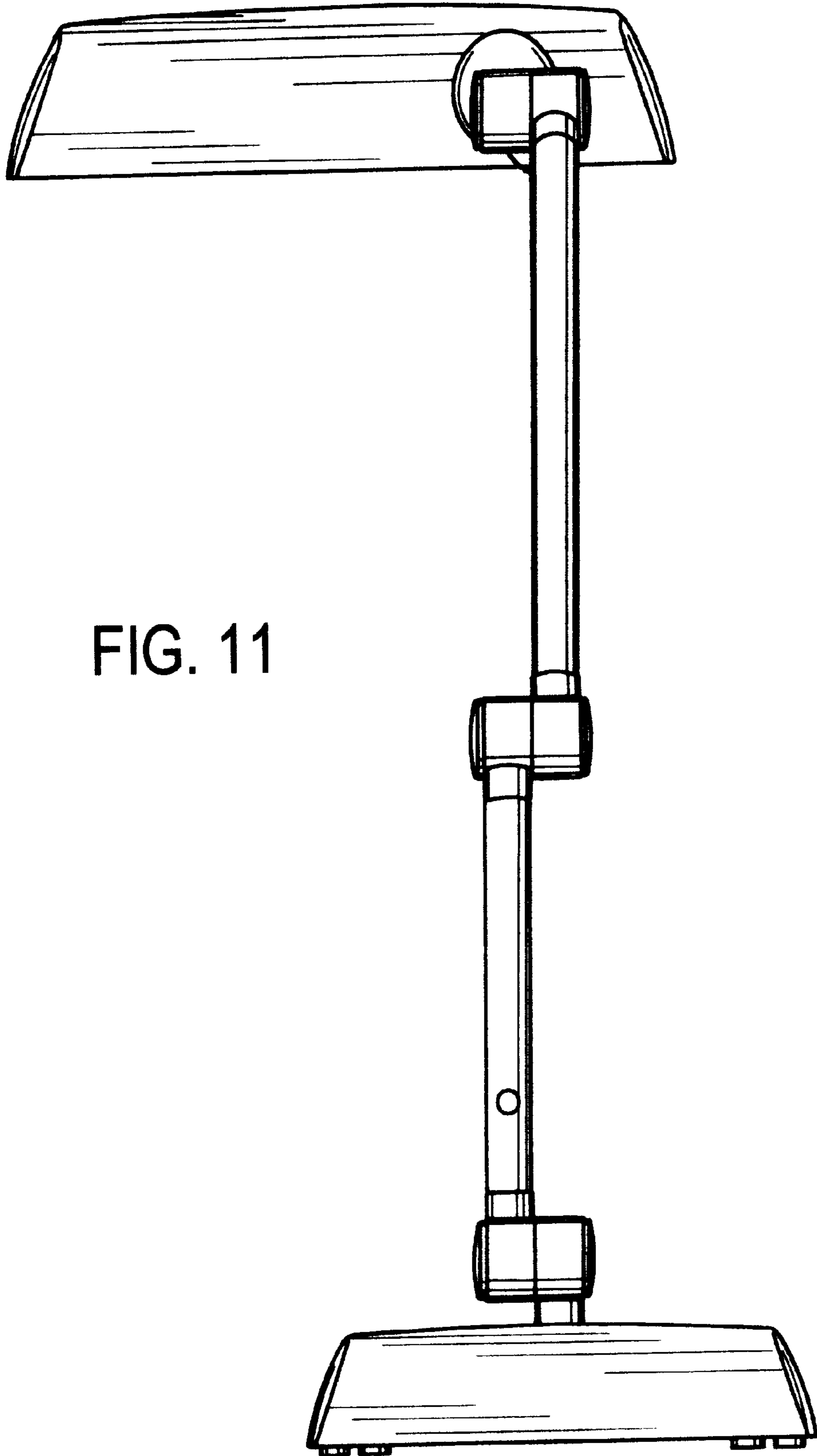


FIG. 11

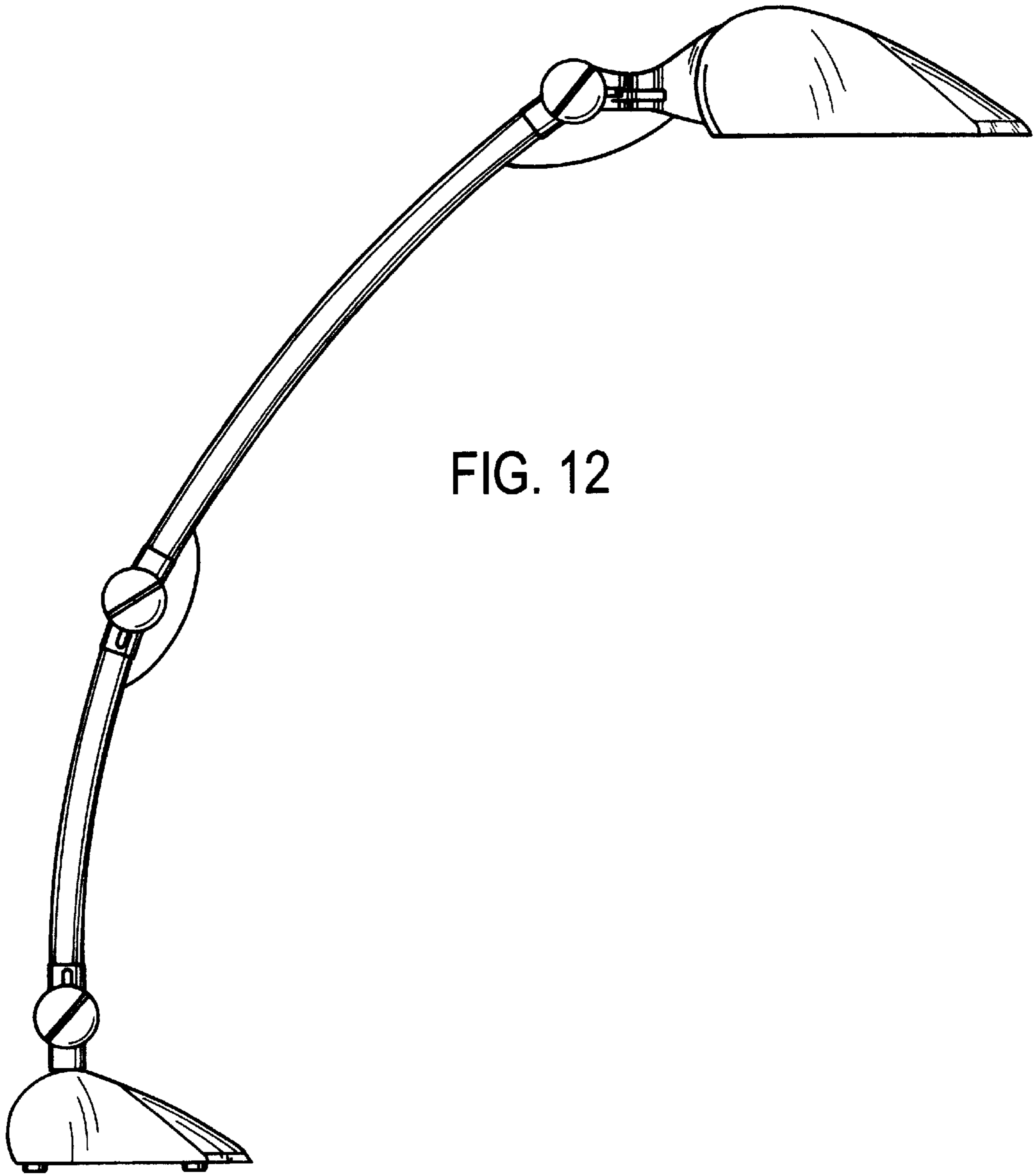


FIG. 12

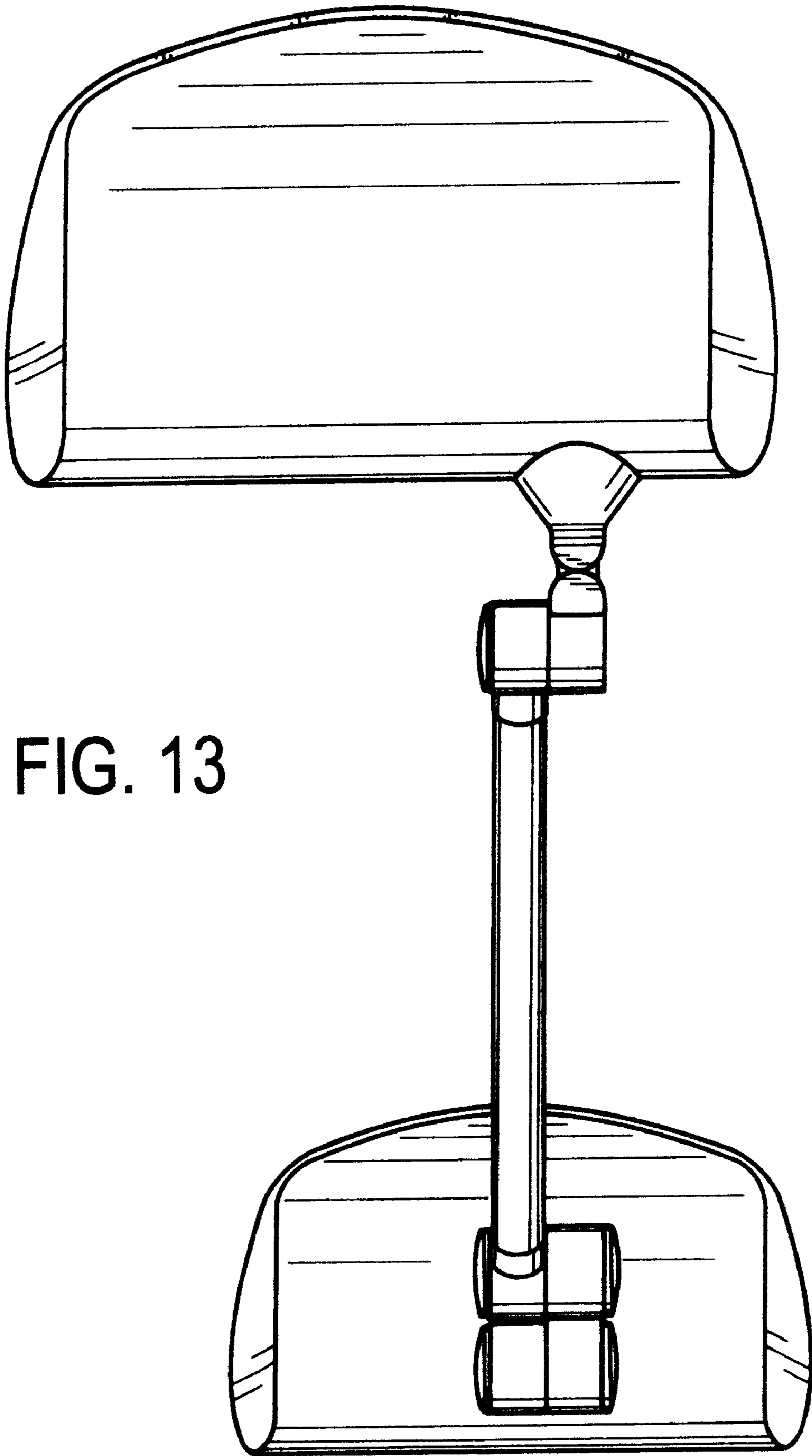


FIG. 13

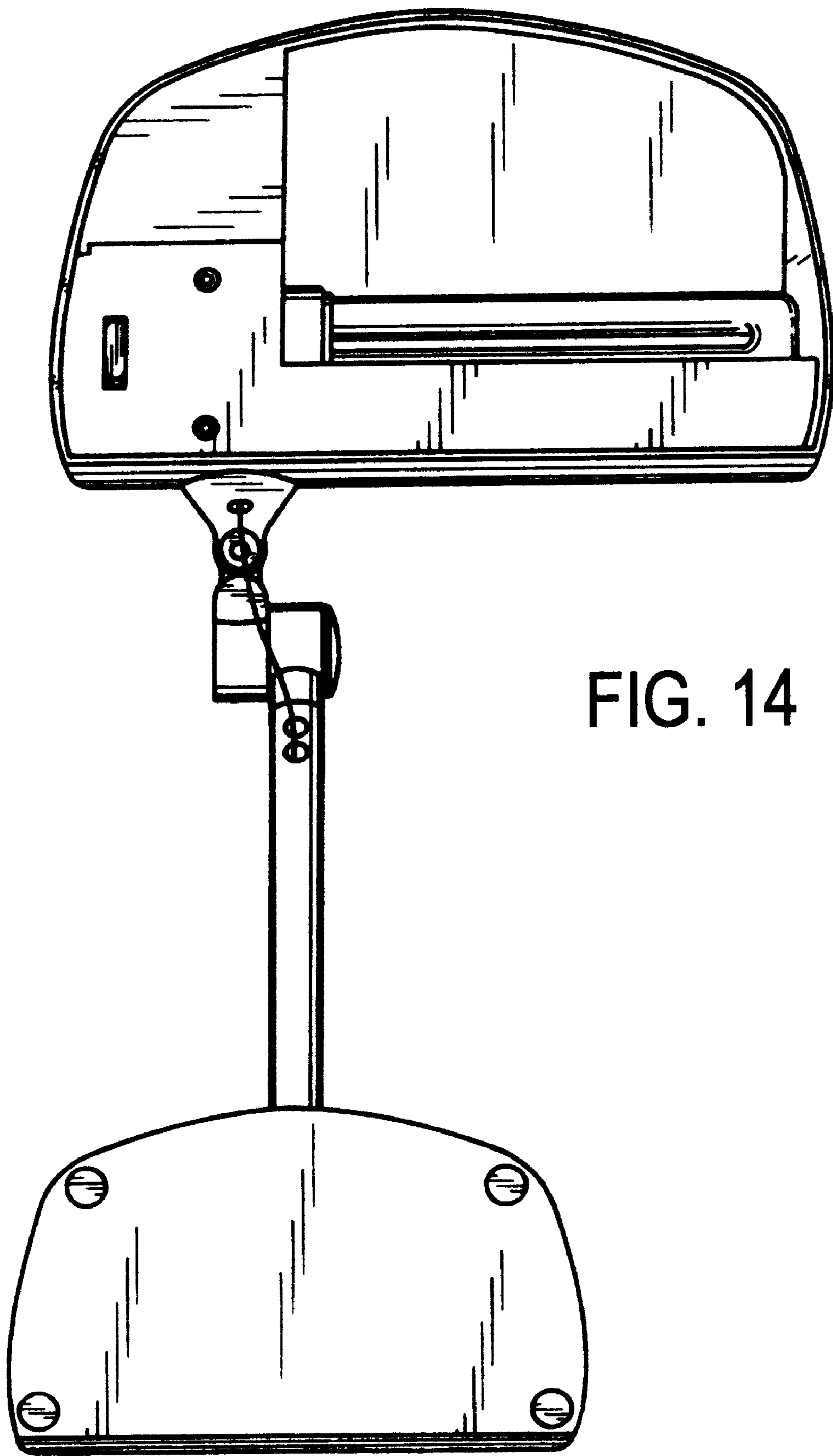


FIG. 14

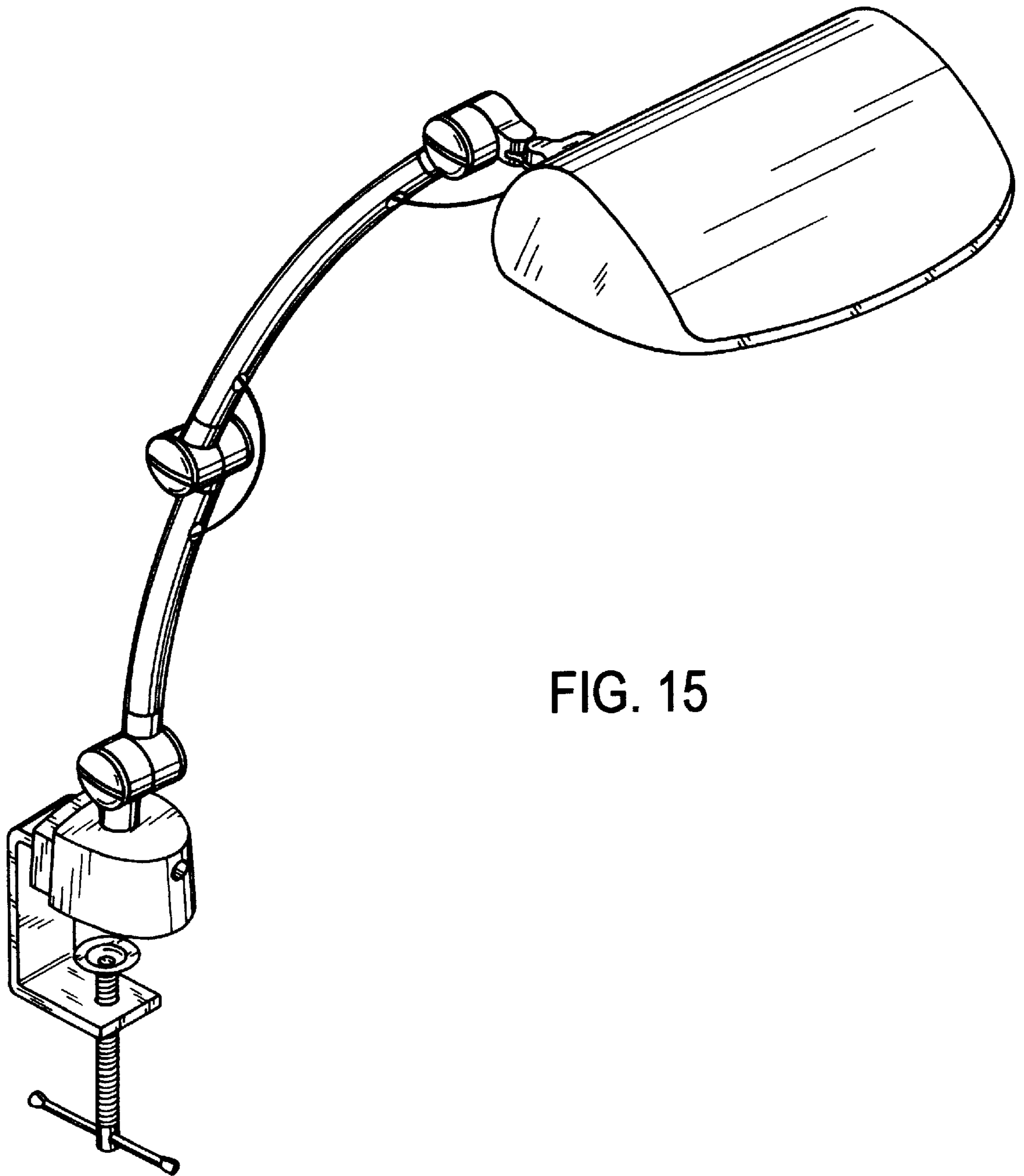


FIG. 15



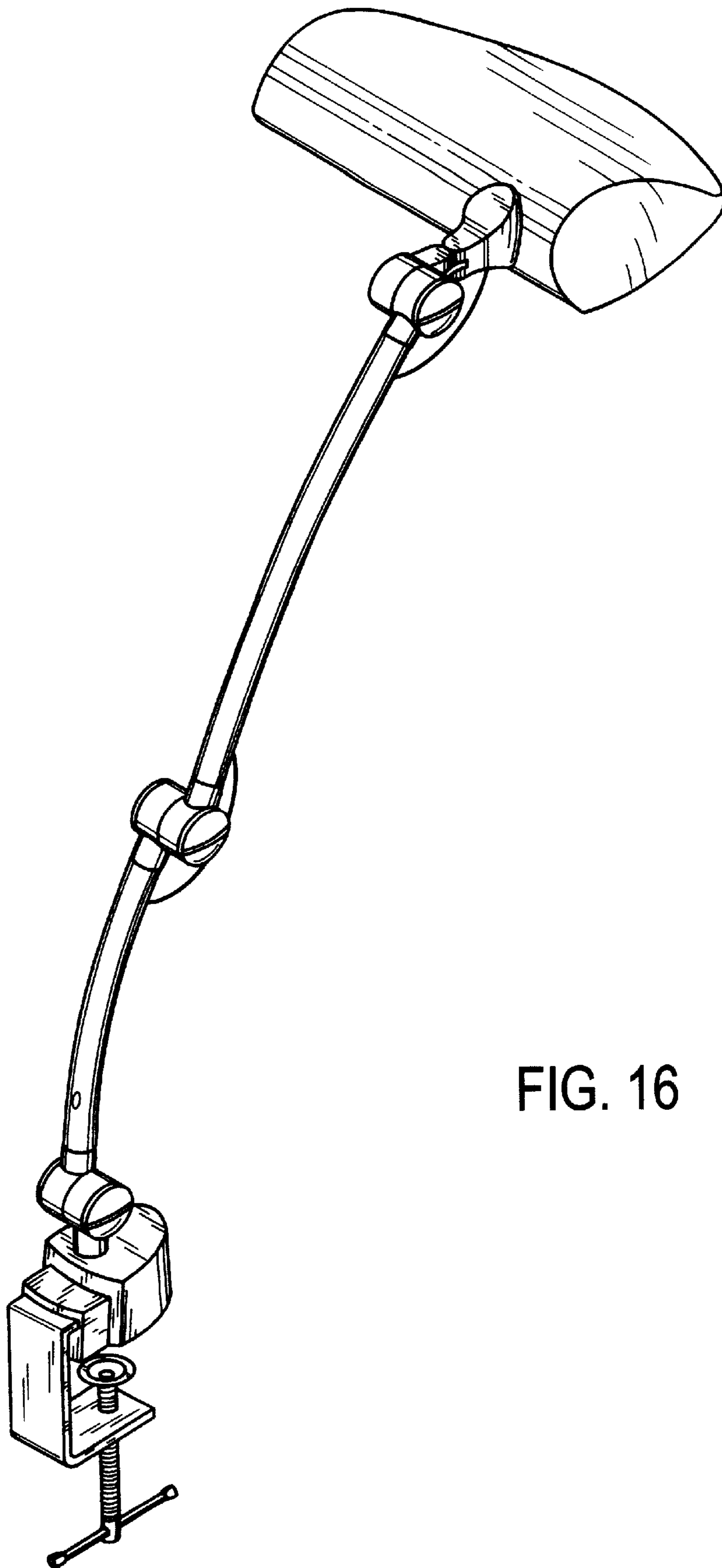


FIG. 16

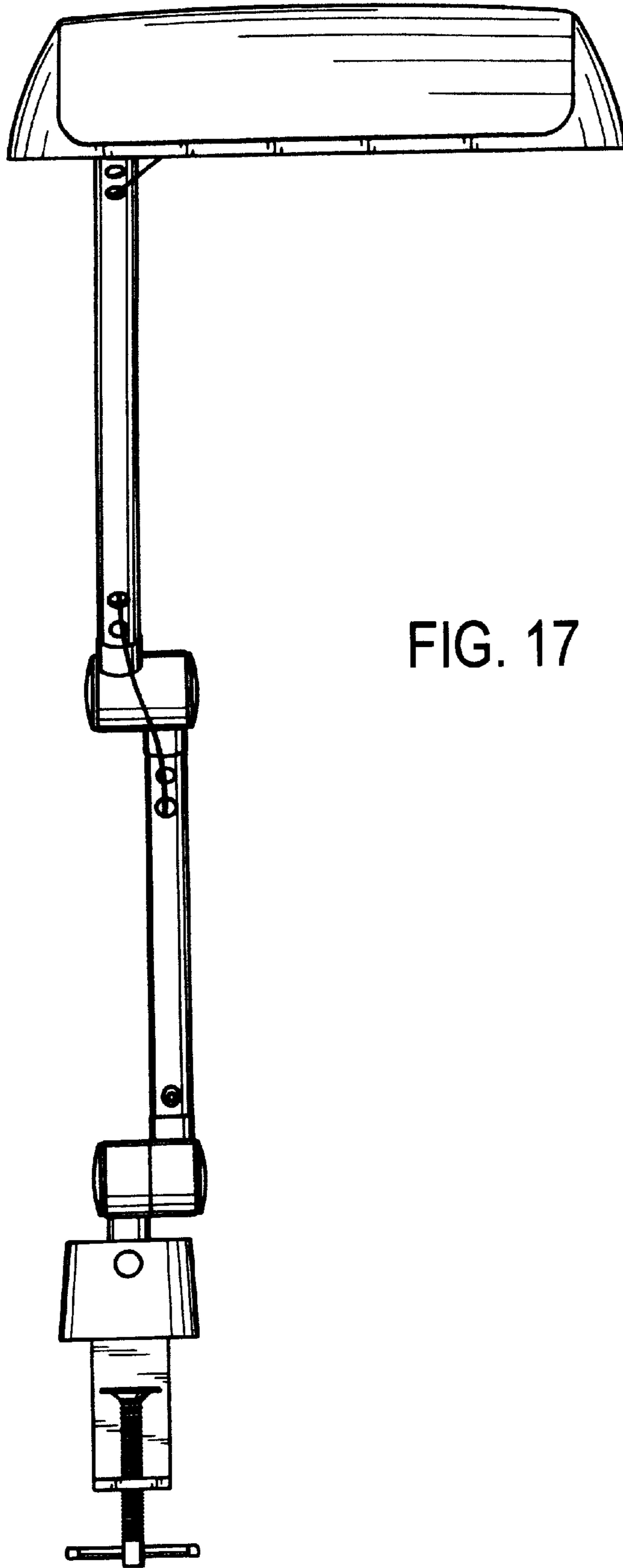


FIG. 17

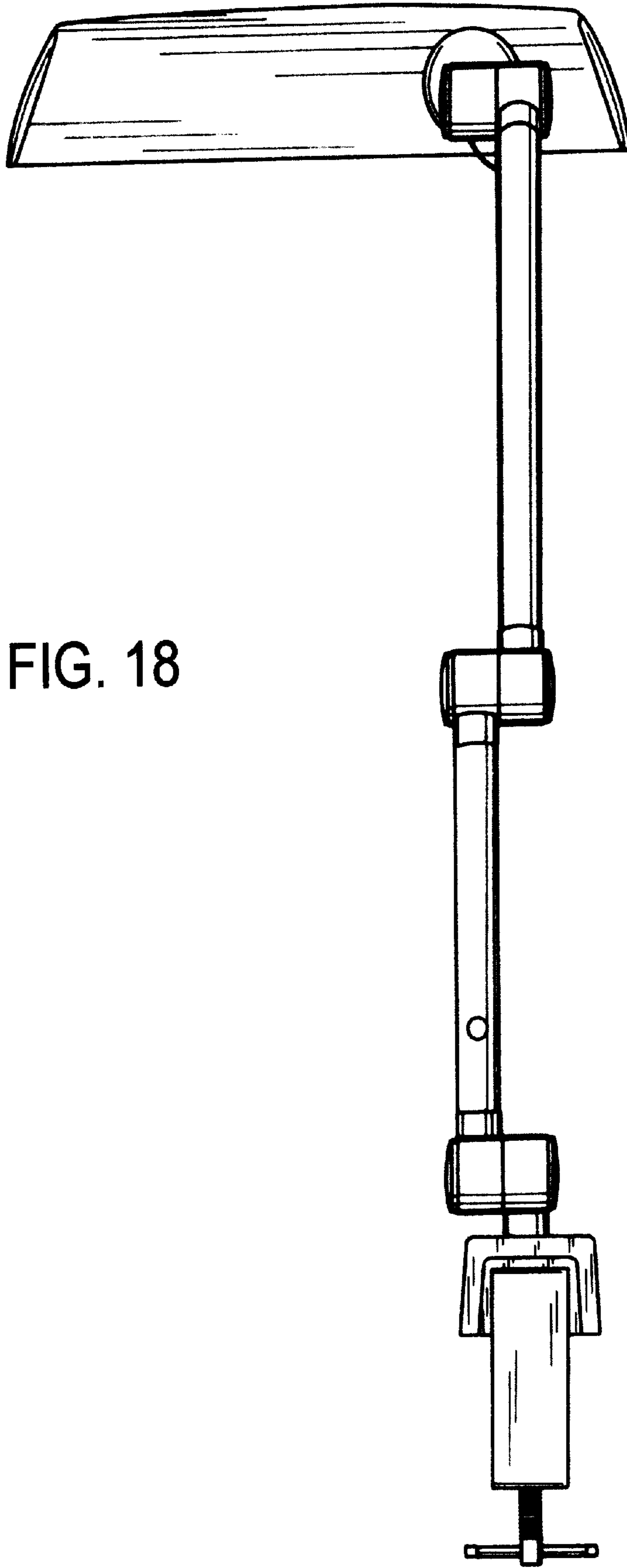
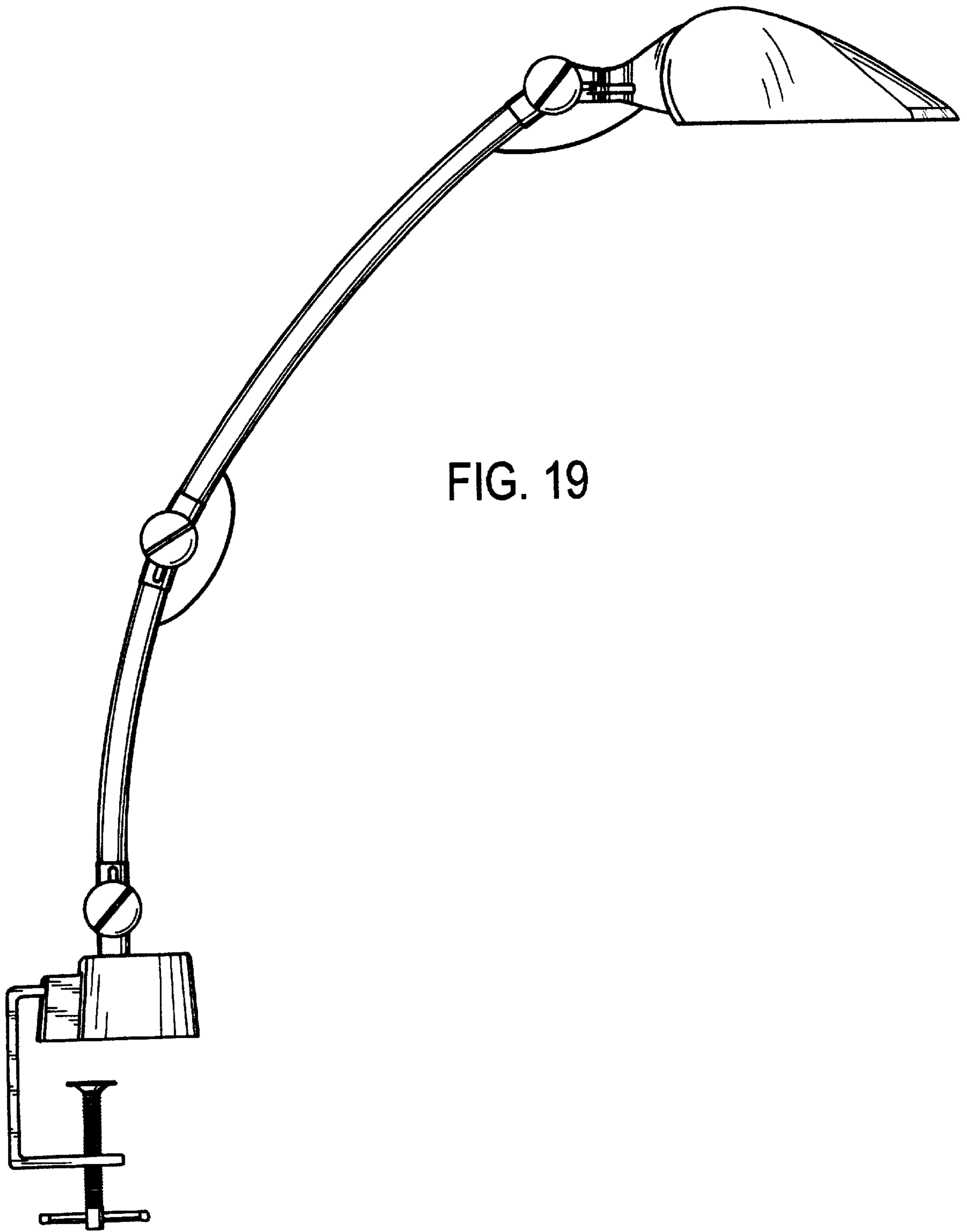


FIG. 18



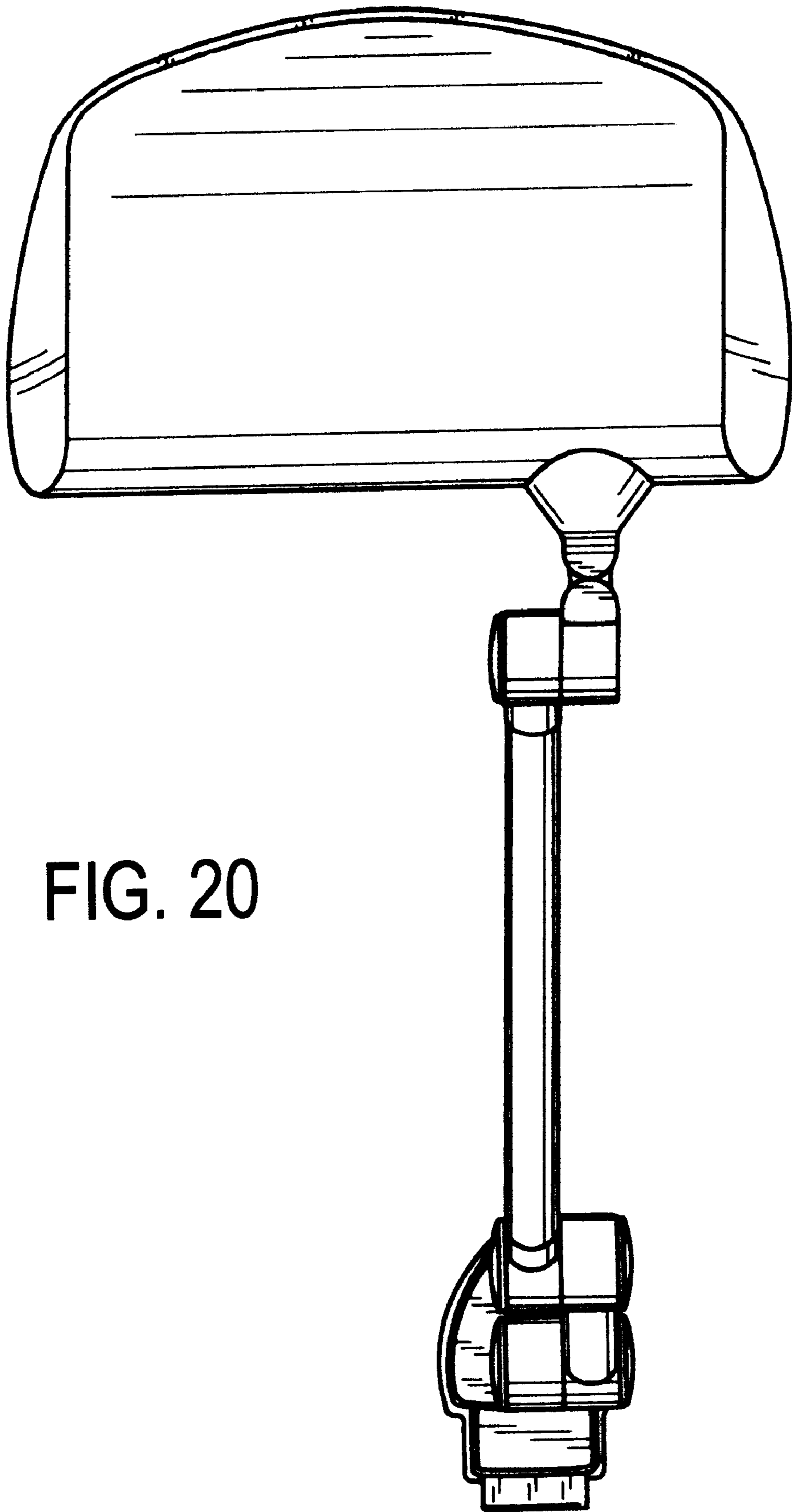


FIG. 20

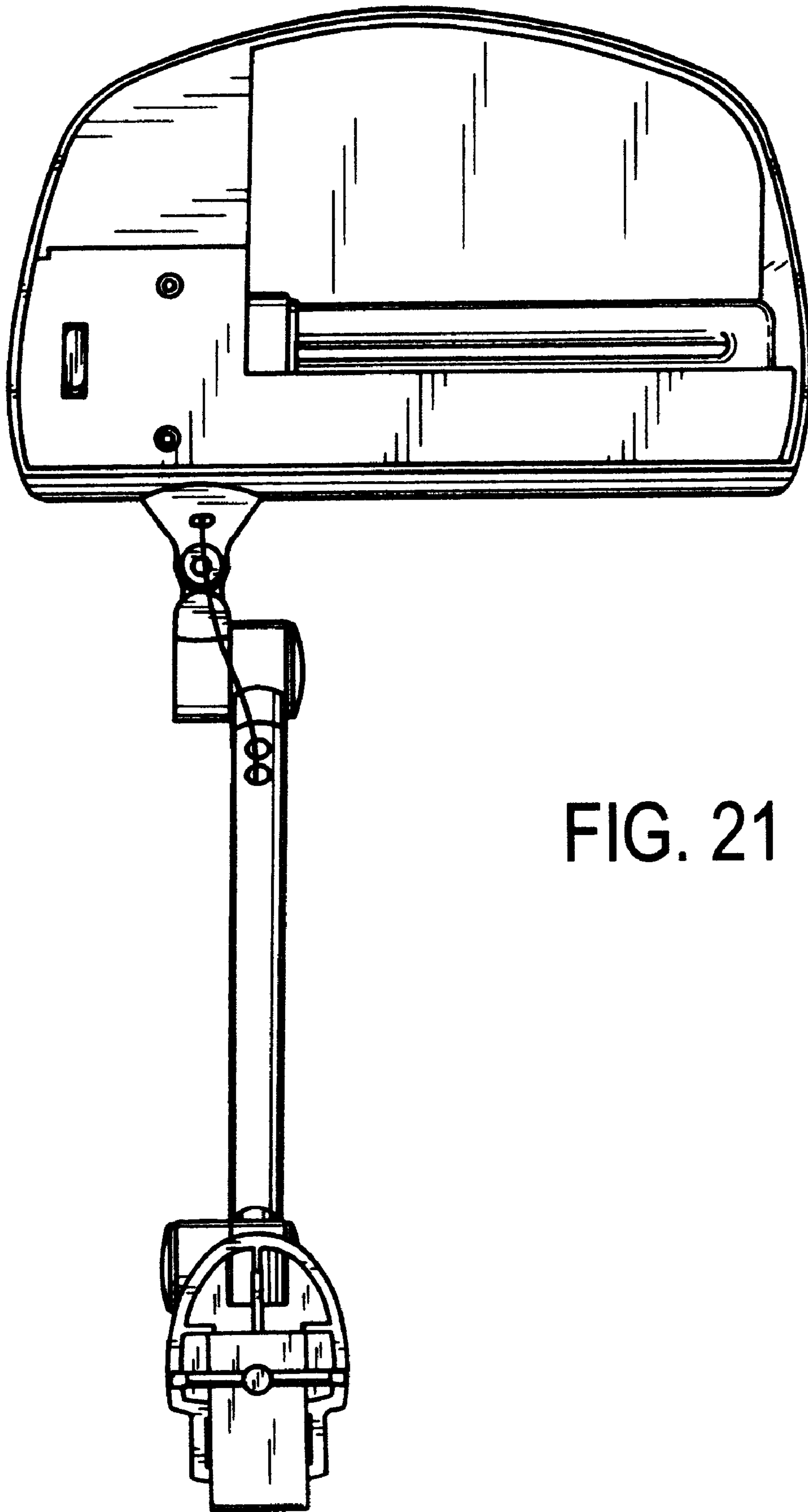


FIG. 21