



US00D437068S

(12) **United States Design Patent**
Townsend

(10) **Patent No.:** **US D437,068 S**

(45) **Date of Patent:** **** Jan. 30, 2001**

(54) **UTILITY LIGHT**

(76) **Inventor:** **Walter C. Townsend**, 2716 N. 19th St.,
Milwaukee, WI (US) 53206

(**) **Term:** **14 Years**

(21) **Appl. No.:** **29/120,980**

(22) **Filed:** **Mar. 29, 2000**

(51) **LOC (7) Cl.** **26-02**

(52) **U.S. Cl.** **D26/40**

(58) **Field of Search** D26/37-50; 362/157,
362/158, 183-208, 376, 377, 378, 404,
407

(56) **References Cited**

U.S. PATENT DOCUMENTS

- D. 335,756 * 5/1993 Gaynor D26/42
- D. 418,238 * 12/1999 Offiler D26/42
- D. 421,143 * 2/2000 Kovacik et al. D26/42

* cited by examiner

Primary Examiner—Marcus A. Jackson

(74) *Attorney, Agent, or Firm*—Ryan Kromholz & Manion,
S.C.

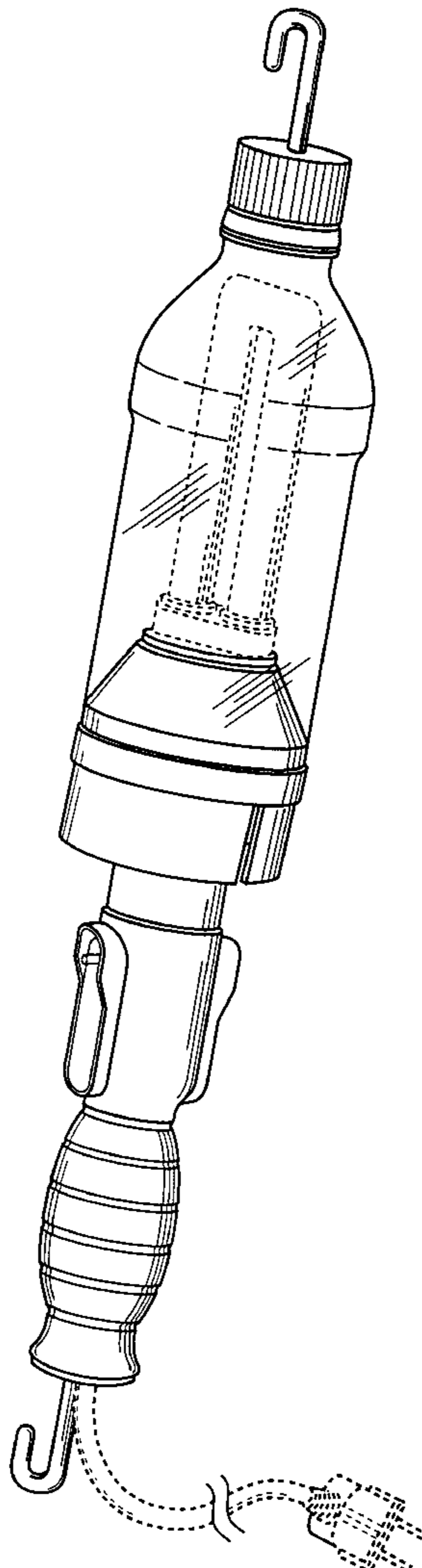
(57) **CLAIM**

The ornamental design of a utility light, as shown and described.

DESCRIPTION

FIG. 1 is a perspective view of the utility light of my design, with the broken line showing for illustrative purposes only and forming no part of the claimed design, and with the cord shown broken away to indicate indeterminate length;
 FIG. 2 is a front elevational view of the utility light, the rear elevational view being a mirror image thereof;
 FIG. 3 is a top plan view;
 FIG. 4 is a bottom plan view; and,
 FIG. 5 is a left side elevational view, the right side elevational view being a mirror image thereof.

1 Claim, 3 Drawing Sheets



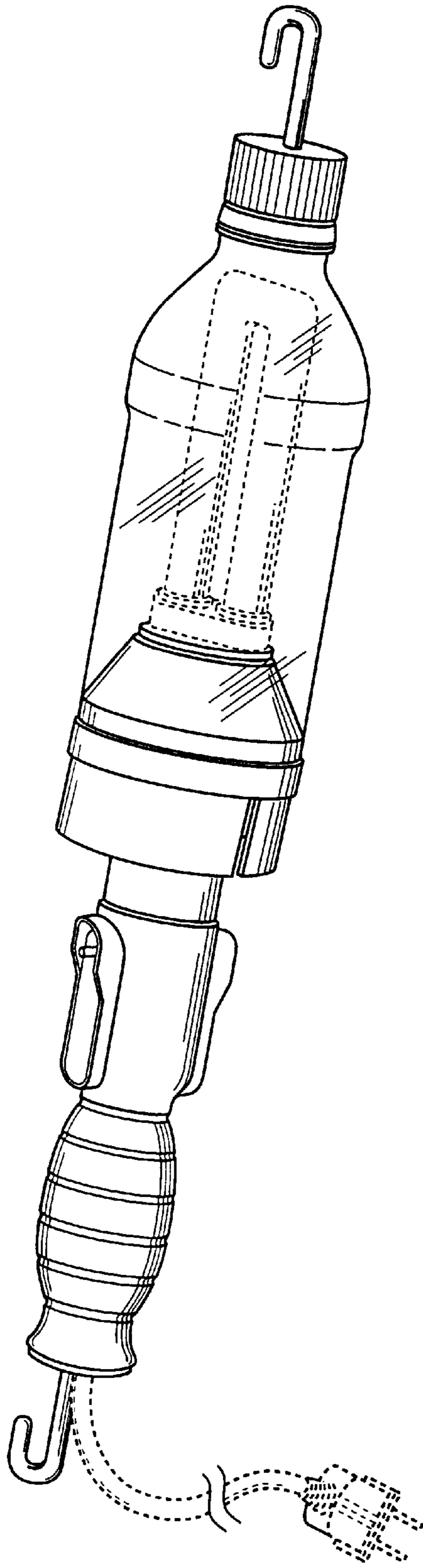


Fig. 1

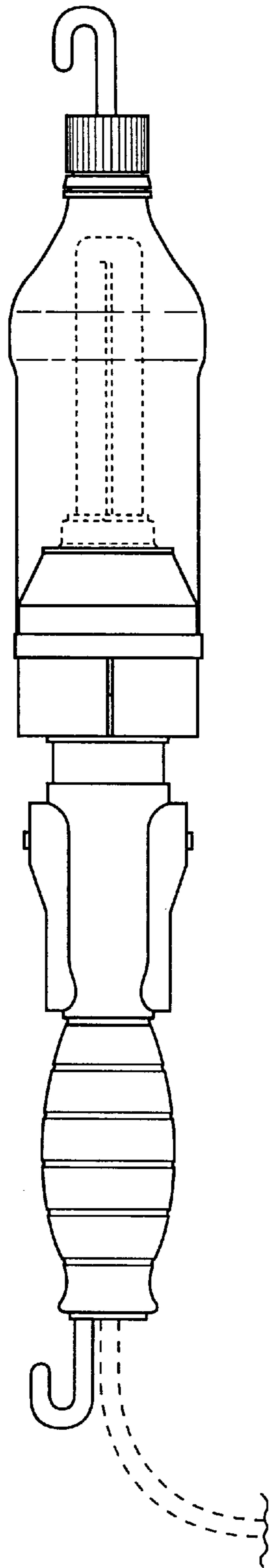


Fig. 2

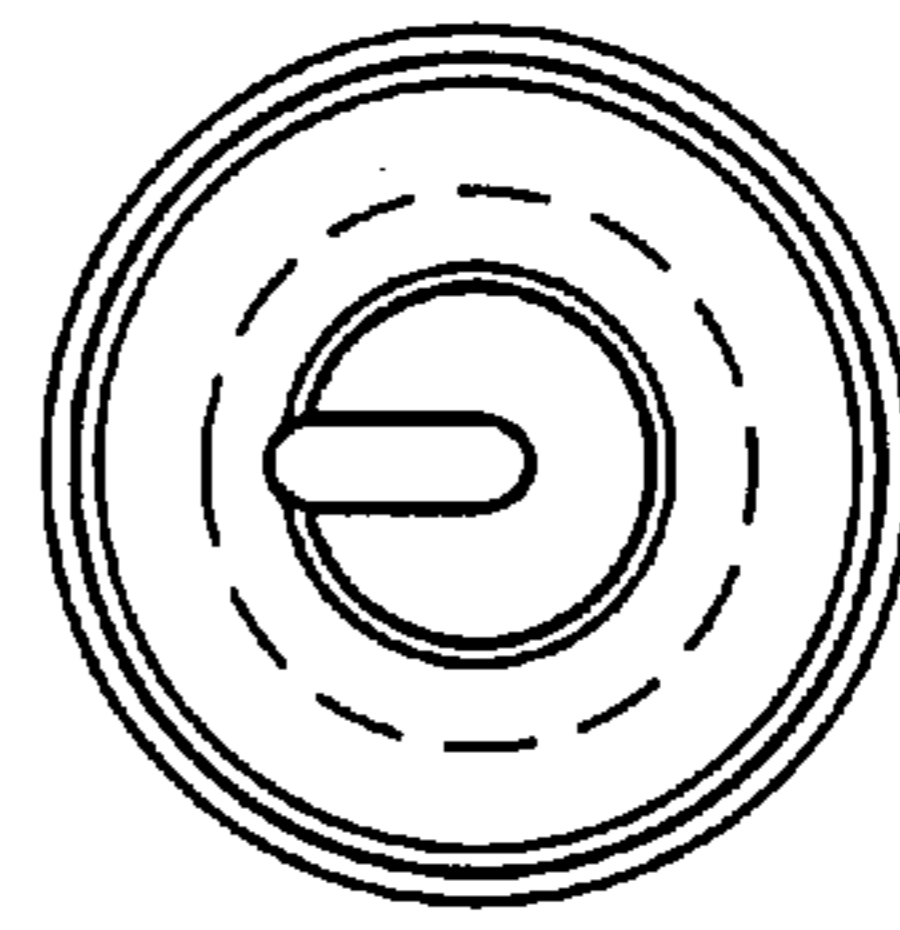


Fig. 3

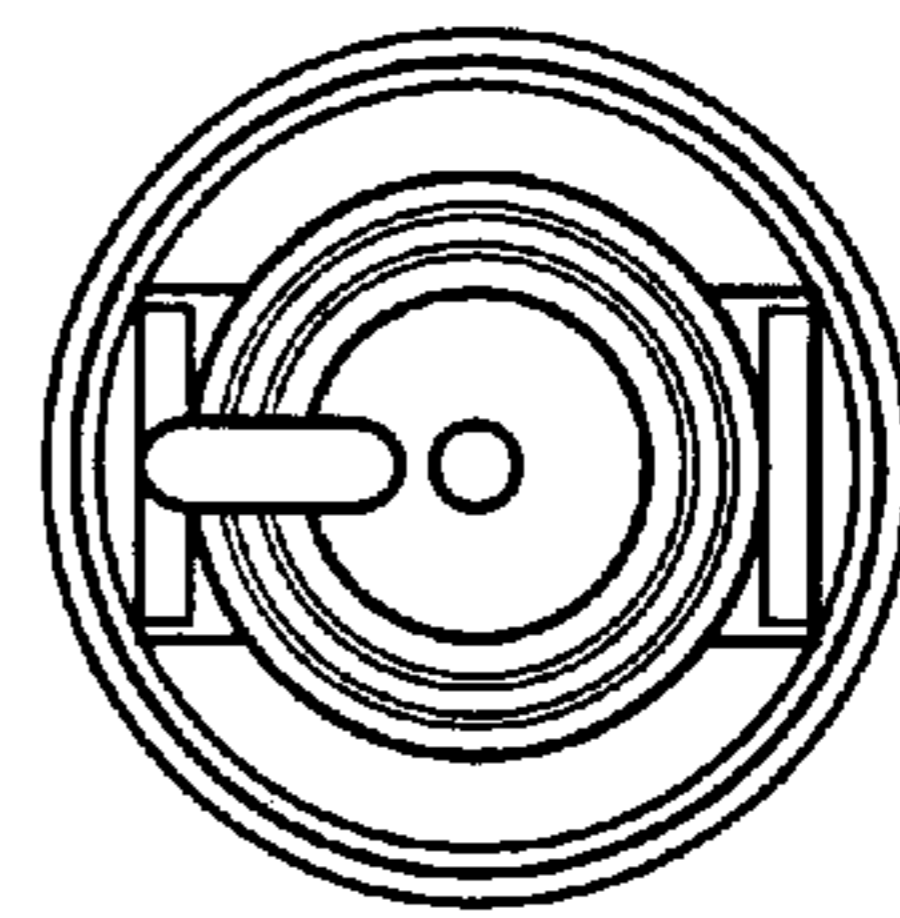


Fig. 4

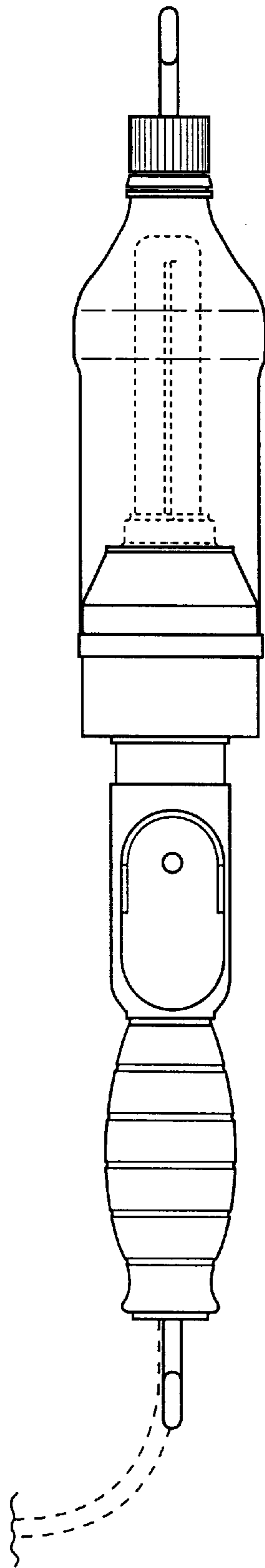


Fig. 5