



US00D437065S

**(12) United States Design Patent**  
**Parker**

**(10) Patent No.: US D437,065 S**

**(45) Date of Patent: \*\* Jan. 30, 2001**

(54) **FLASHLIGHT**

D. 422,734 \* 4/2000 Stephens ..... D26/49

(75) Inventor: **David H. Parker**, Torrance, CA (US)

\* cited by examiner

(73) Assignee: **Pelican Products, Inc.**, Torrance, CA (US)

*Primary Examiner*—Marcus A. Jackson

(74) *Attorney, Agent, or Firm*—Oppenheimer, Wolff & Donnelly LLP

(\*\*) Term: **14 Years**

**(57) CLAIM**

(21) Appl. No.: **29/111,087**

The ornamental design for a flashlight, as shown and described.

(22) Filed: **Sep. 20, 1999**

(51) **LOC (7) Cl.** ..... **26-02**

(52) **U.S. Cl.** ..... **D26/37**

(58) **Field of Search** ..... D26/37-50; 362/157, 362/158, 183-208

**DESCRIPTION**

FIG. 1 is a side elevational view thereof, with the opposite side being a mirror image.

FIG. 2 is a side view through 90° of the flashlight.

FIG. 3 is a top view of the flashlight.

FIG. 4 is an underview of the flashlight; and,

FIG. 5 is an enlarge perspective view thereof.

**(56) References Cited**

**U.S. PATENT DOCUMENTS**

D. 392,402 \* 3/1998 Chen ..... D26/37

**1 Claim, 2 Drawing Sheets**

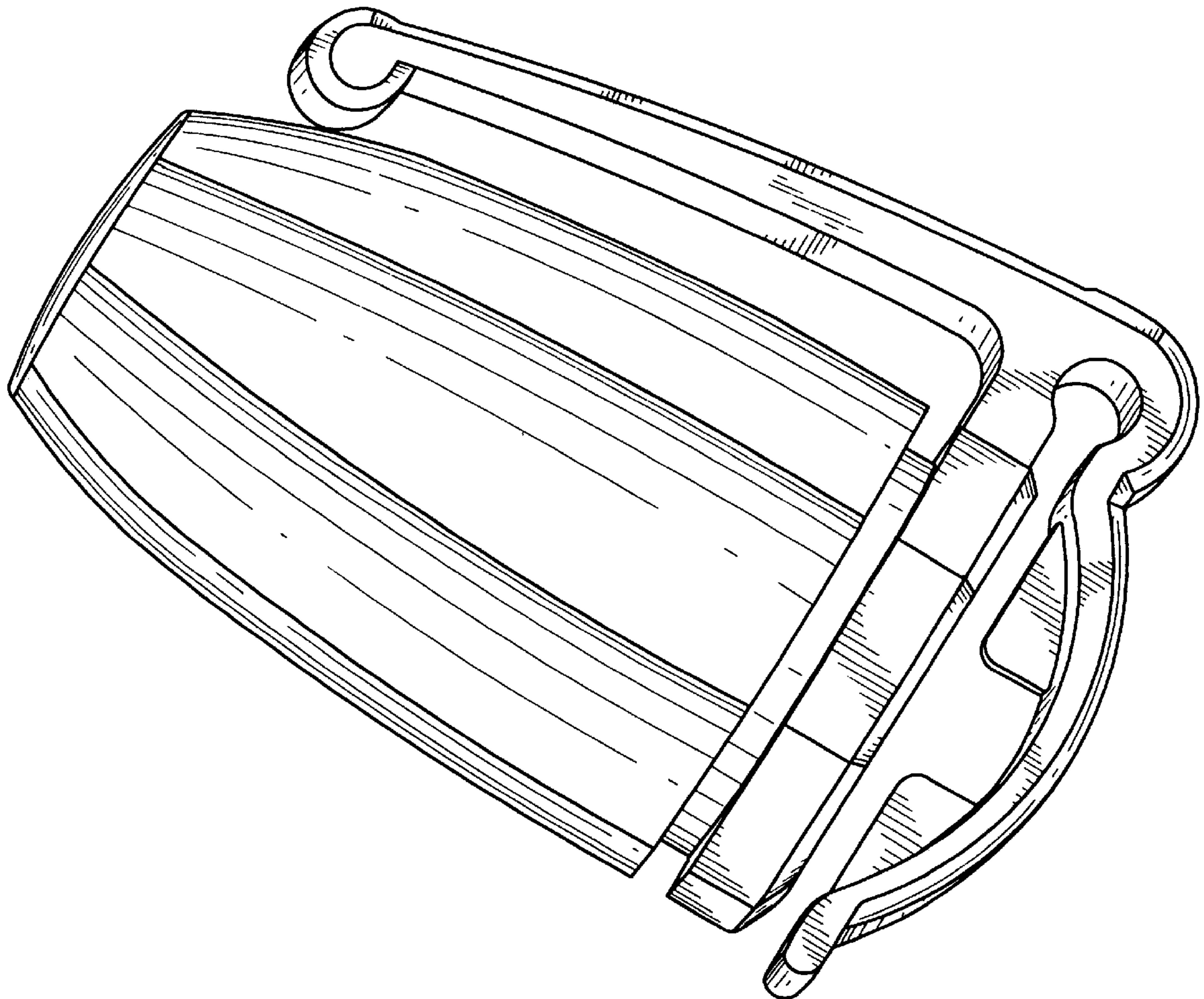


FIG. 1

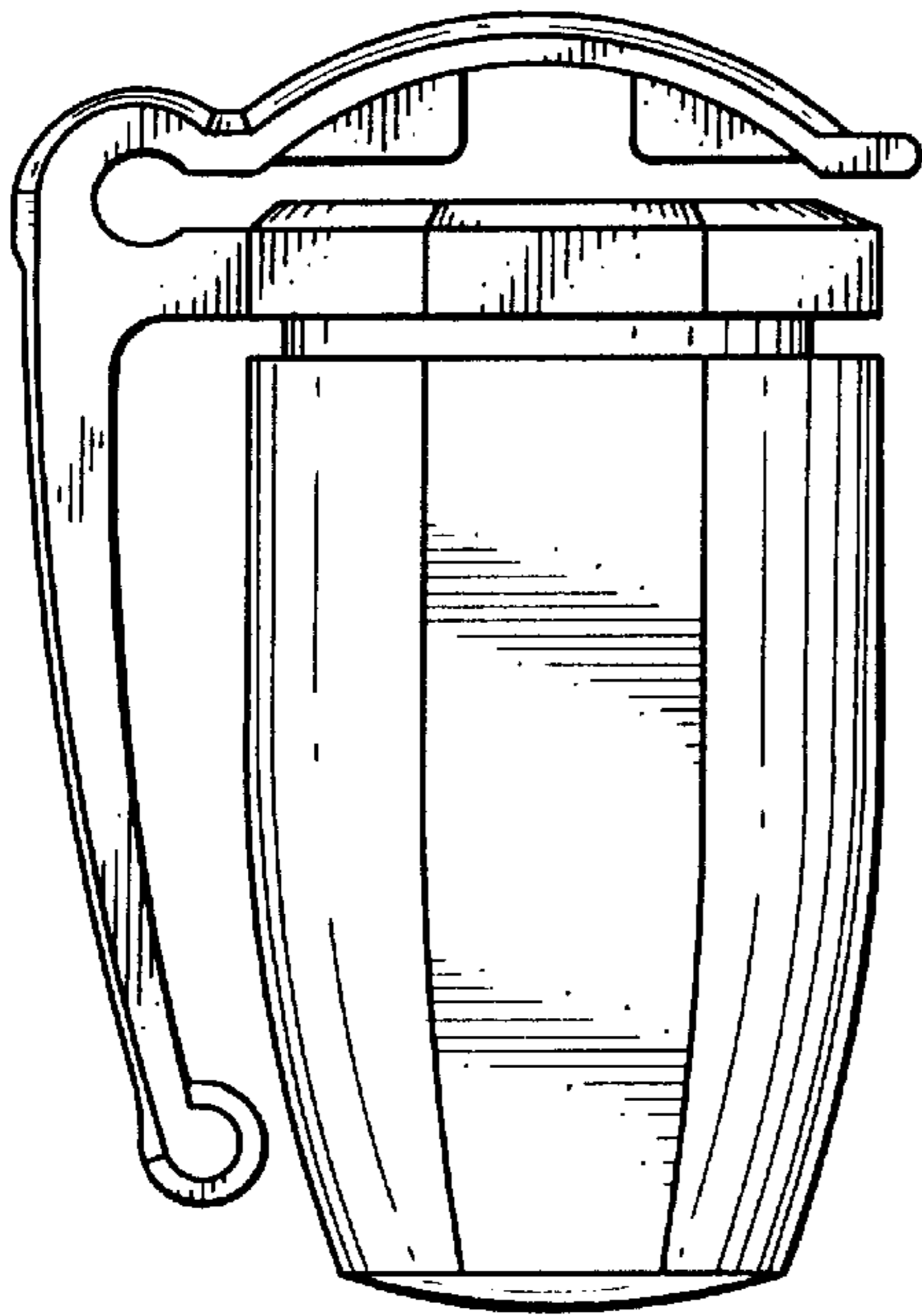


FIG. 2

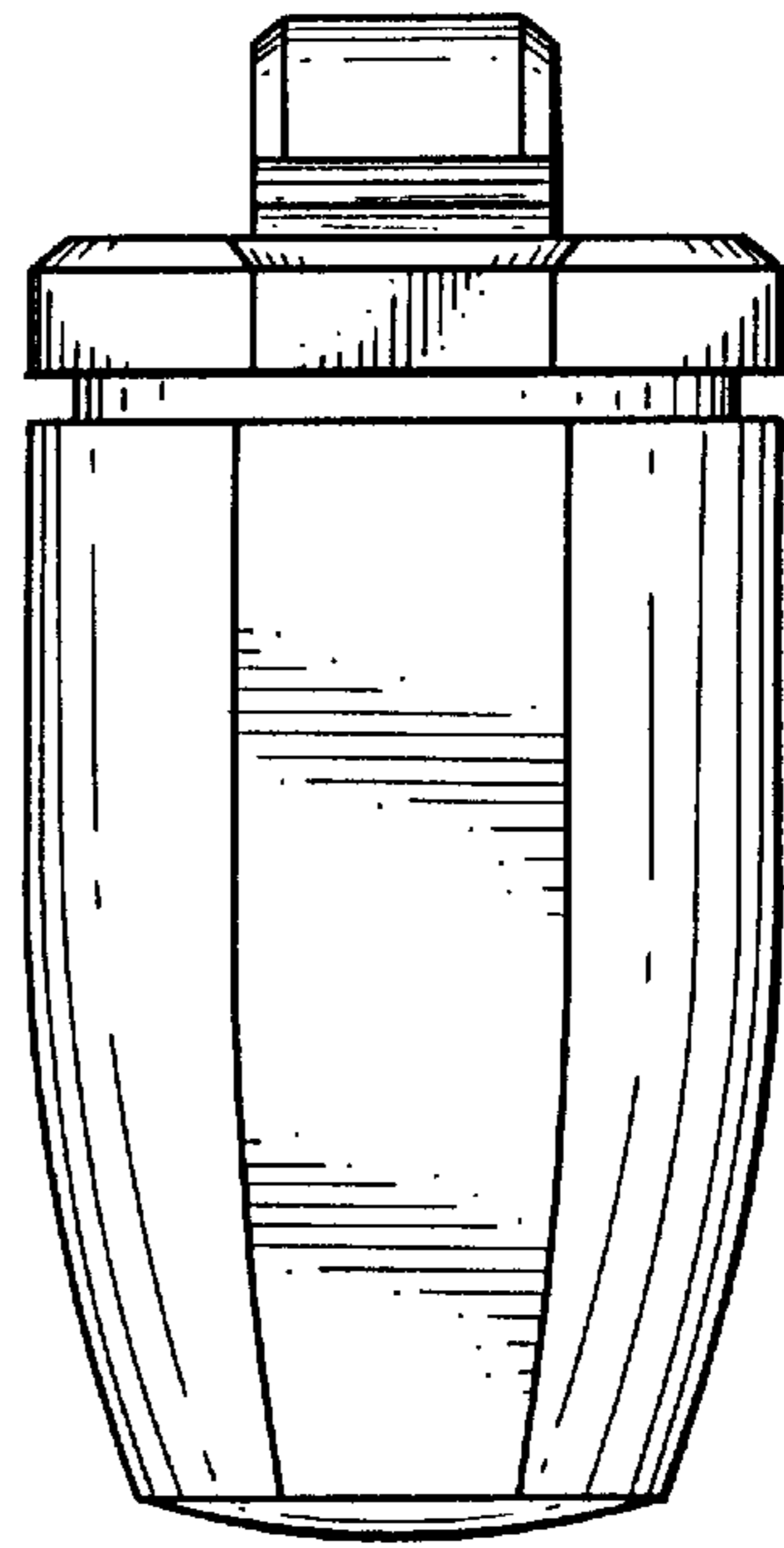


FIG. 3

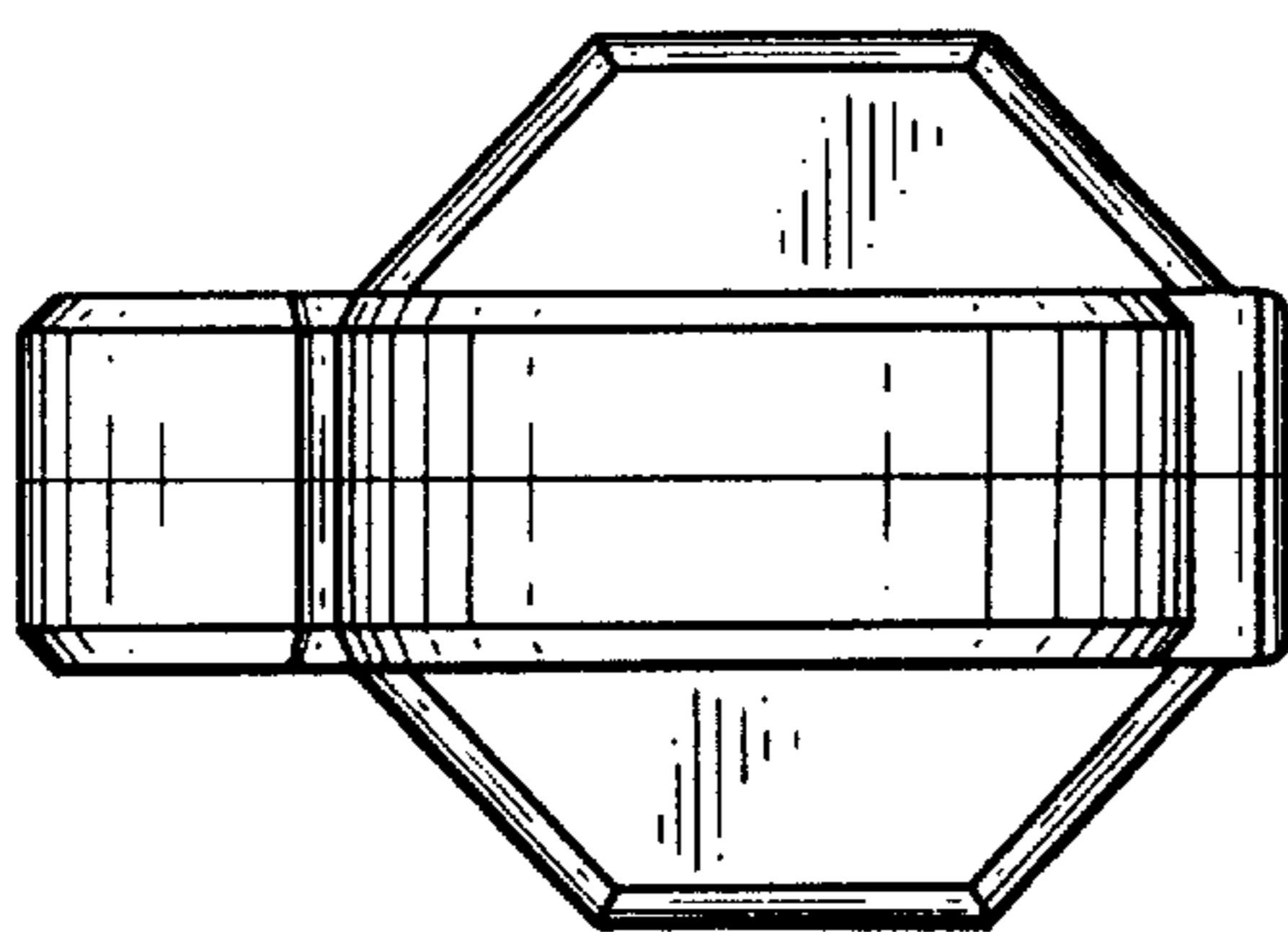
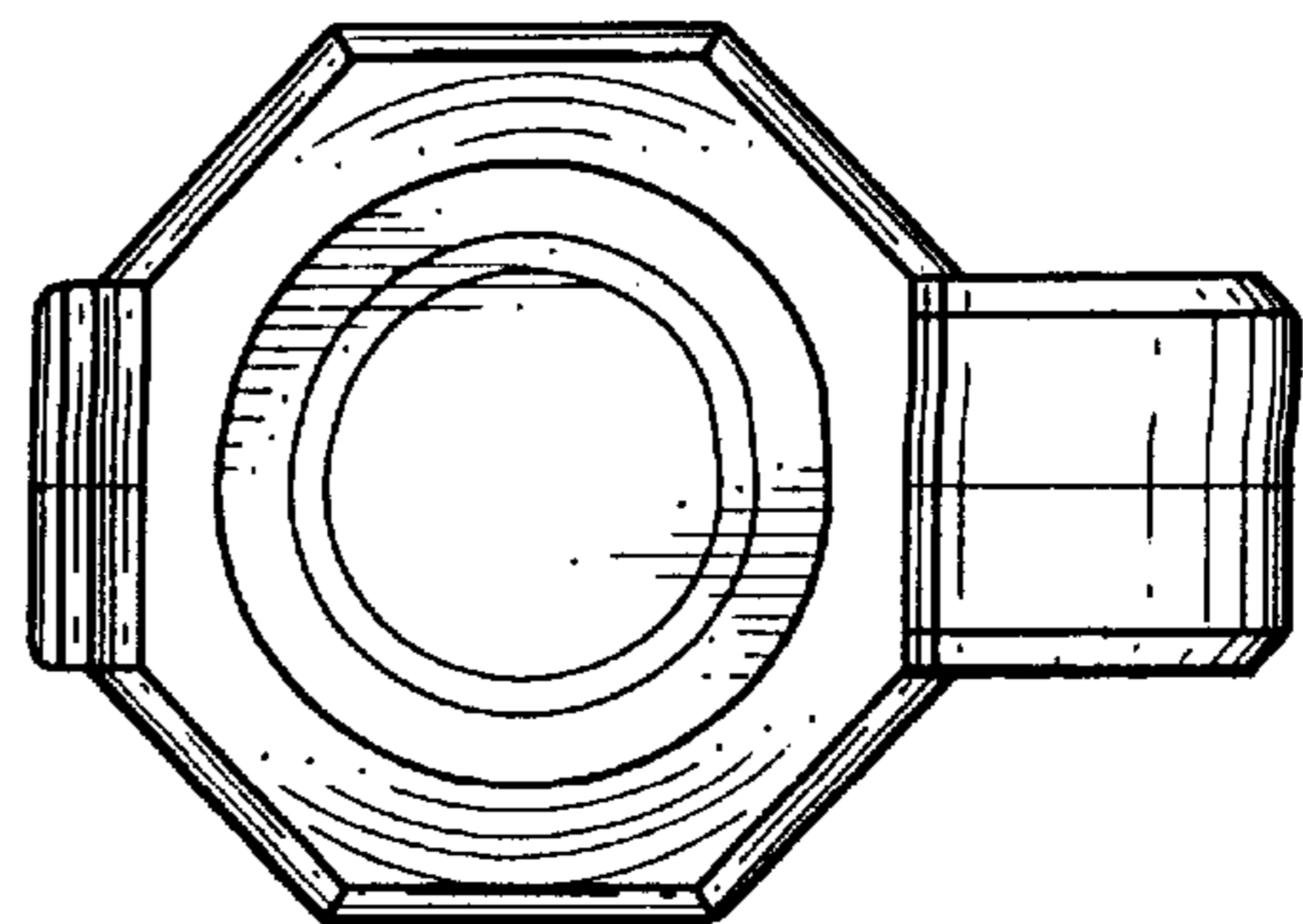


FIG. 4



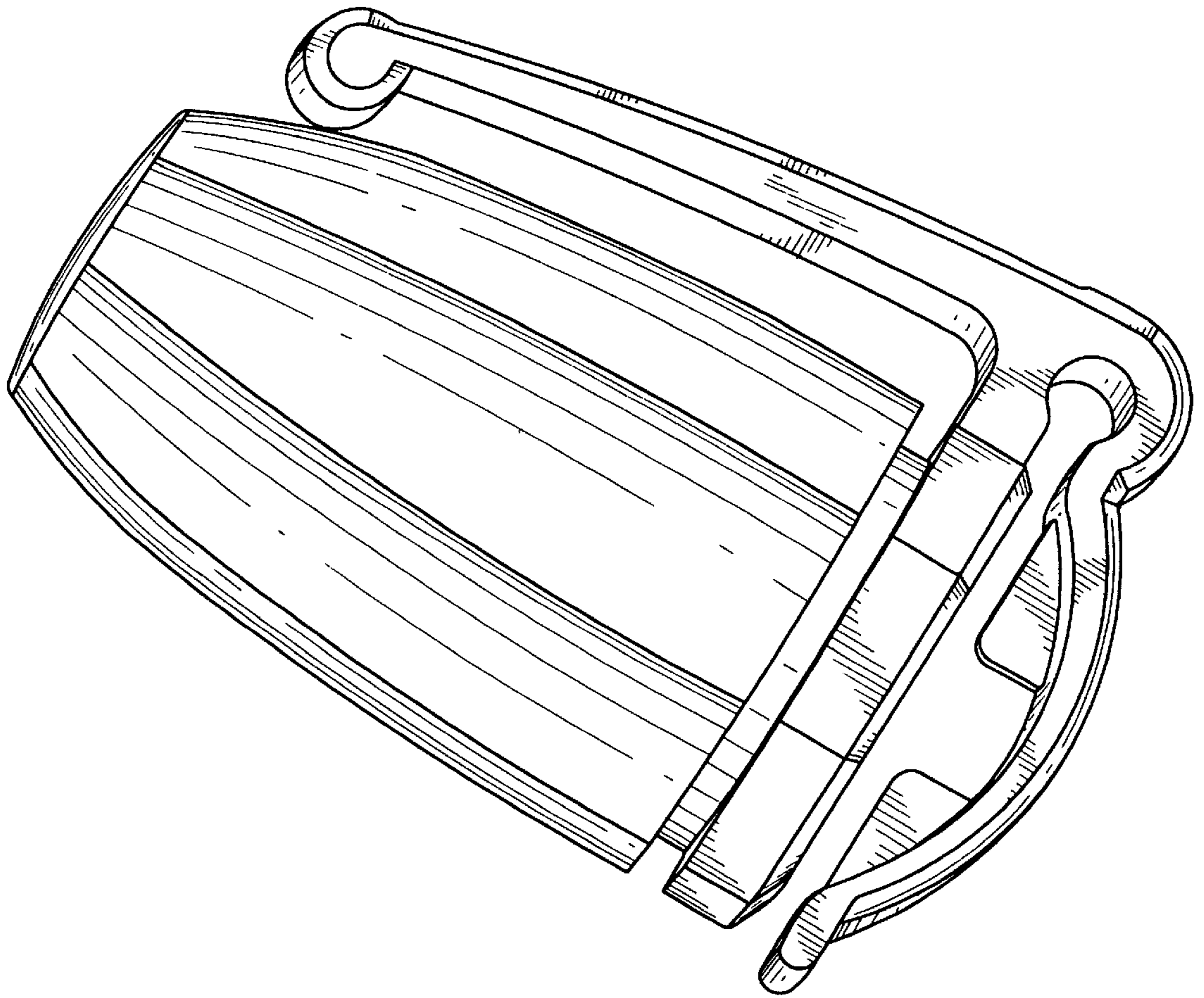


FIG. 5