



US00D437061S

(12) **United States Design Patent**  
**Habeck et al.**

(10) **Patent No.:** **US D437,061 S**

(45) **Date of Patent:** **\*\* \*Jan. 30, 2001**

(54) **BENDABLE PICTURE FRAME FOR PICTURE WINDOW**

(75) Inventors: **Jerome Carl Habeck**, Holt; **Dennis C. Westphal**, Parma, both of MI (US); **David S. Levine**, King of Prussia; **Stanley Gursky**, Yardley, both of PA (US)

(73) Assignee: **CertainTeed Corporation**, Valley Forge, PA (US)

(\* ) Notice: This patent is subject to a terminal disclaimer.

(\*\* ) Term: **14 Years**

(21) Appl. No.: **29/119,367**

(22) Filed: **Feb. 28, 2000**

(51) **LOC (7) Cl.** ..... **25-01**

(52) **U.S. Cl.** ..... **D25/124**

(58) **Field of Search** ..... 52/777-779, 764, 52/204.5, 204.55, 656.4, 656.6, 656.7; D25/124, 125, 60, 52; 49/504, DIG. 2

(56) **References Cited**

**U.S. PATENT DOCUMENTS**

D. 369,419 \* 4/1996 Franson ..... D25/125  
D. 377,533 \* 1/1997 Dallaire et al. .... D25/124  
4,944,118 \* 7/1990 Biro ..... 49/504

\* cited by examiner

*Primary Examiner*—Doris Clark

(74) *Attorney, Agent, or Firm*—Duane Morris & Heckscher LLP

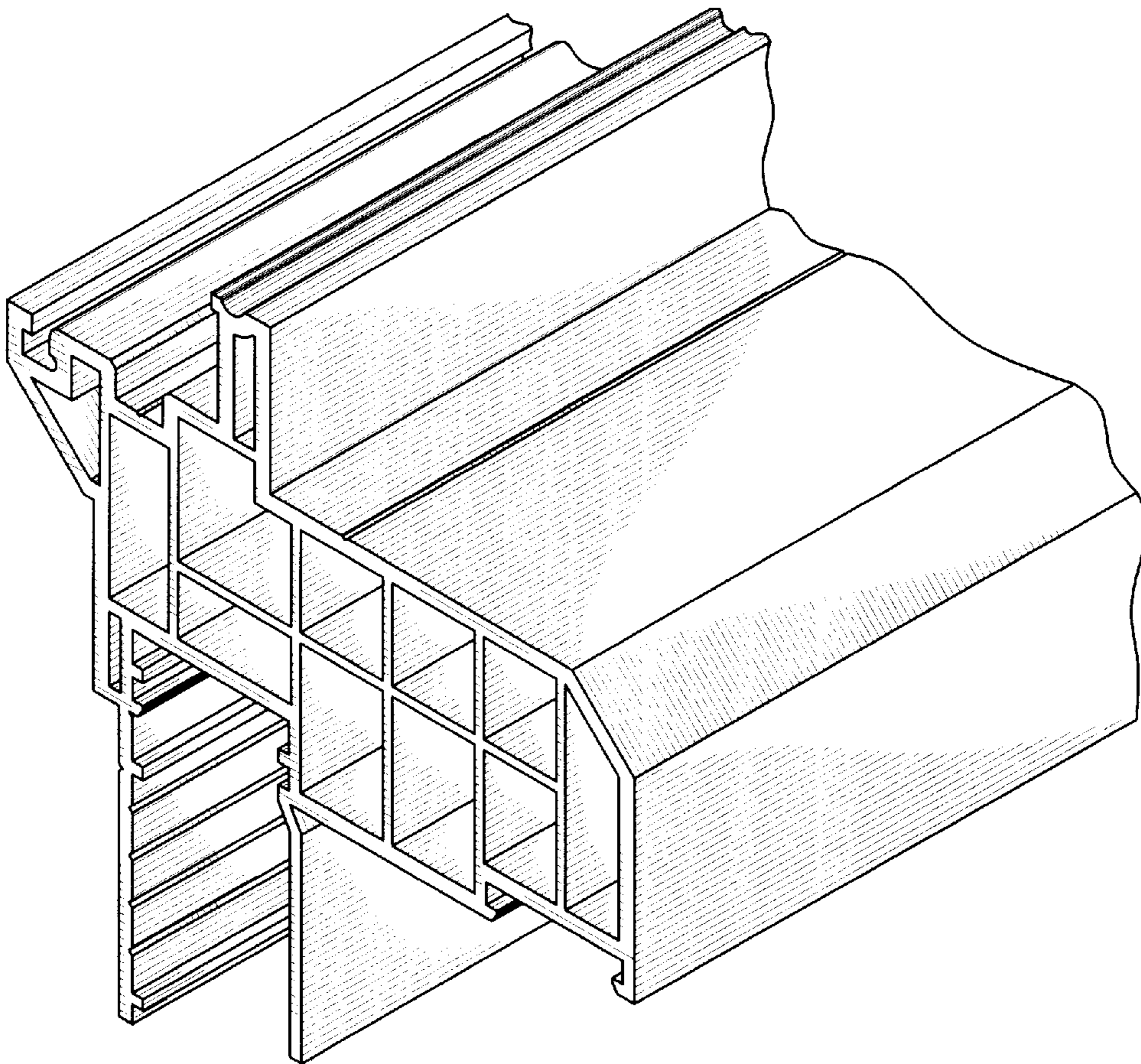
(57) **CLAIM**

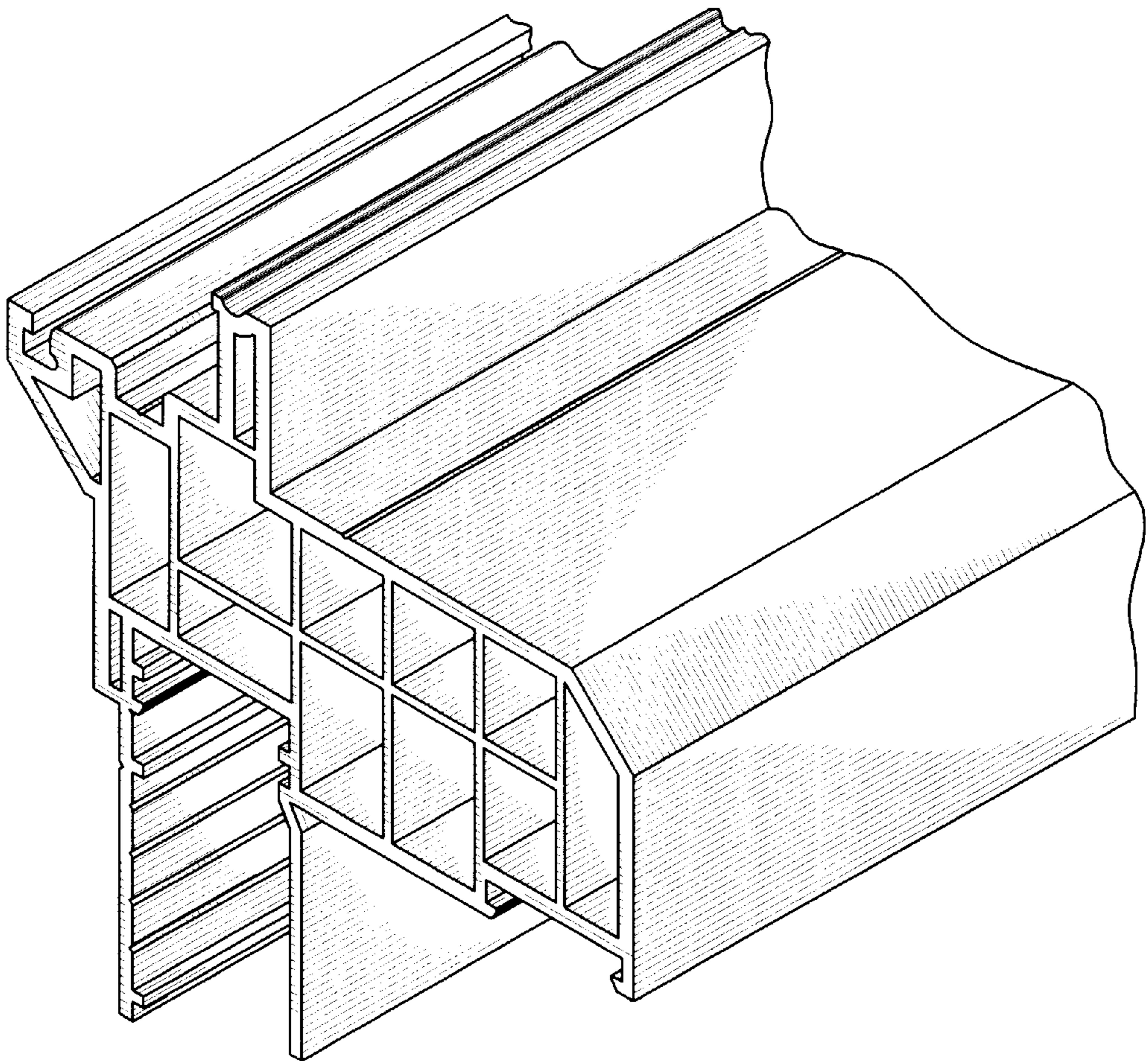
The ornamental design for a bendable picture frame for picture window, as shown and described.

**DESCRIPTION**

The FIGURE is a front perspective view of a bendable picture frame for picture window, showing our new design, the rear perspective view being a mirror image and is shown fragmented indicating indefinite length.

**1 Claim, 1 Drawing Sheet**





THE FIGURE