



US00D437060S

(12) **United States Design Patent**
Mayer

(10) **Patent No.:** **US D437,060 S**

(45) **Date of Patent:** **** Jan. 30, 2001**

(54) **COMPACT CASSETTE, RETAINER AND COMBINED ASSEMBLY FOR DENTAL INSTRUMENTS**

(75) Inventor: **Stanley E. Mayer**, Middletown, NY (US)

(73) Assignee: **Coltene/Whaledent, Inc.**, Mahwah, NJ (US)

(**) Term: **14 Years**

(21) Appl. No.: **29/115,801**

(22) Filed: **Dec. 21, 1999**

(51) **LOC (7) Cl.** **24-01**

(52) **U.S. Cl.** **D24/217**

(58) **Field of Search** D24/217, 229, D24/227, 176, 127, 128; 206/565, 480, 370, 63.5, 368, 369, 557, 560, 564; 422/297, 300

(56) **References Cited**

U.S. PATENT DOCUMENTS

3,285,409	*	11/1966	Loran	206/63.5
4,577,755	*	3/1986	Ramsay	206/370
5,340,551	*	8/1994	Berry, Jr.	422/300
5,422,067	*	6/1995	Barney	206/63.5
5,451,380	*	9/1995	Zinnanti	422/300
5,762,202	*	6/1998	Atad	422/300
5,843,388	*	12/1998	Arroyo et al.	422/300
6,113,867	*	9/2000	Mayer	422/300

* cited by examiner

Primary Examiner—Ian Simmons

(74) *Attorney, Agent, or Firm*—Helfgott & Karas, P.C.

(57) **CLAIM**

The ornamental design for a compact cassette, retainer and combined assembly for dental instruments, as shown and described.

DESCRIPTION

FIG. 1 is a top view of the cassette of the compact cassette and retainer of my new design.

FIG. 2 is a side view of the cassette of FIG. 1.

FIG. 3 is an end view of the cassette of FIG. 1.

FIG. 4 is a bottom view of the cassette of FIG. 1.

FIG. 5 is an end view of the retainer of the compact cassette and retainer of my new design.

FIG. 6 is a top view of the retainer of FIG. 5.

FIG. 7 is a side view of the retainer of FIG. 5.

FIG. 8 is a bottom view of the retainer of FIG. 5.

FIG. 9 is a top view of the assembled compact cassette and retainer of my new design.

FIG. 10 is a side view of the assembled compact cassette and retainer of FIG. 9.

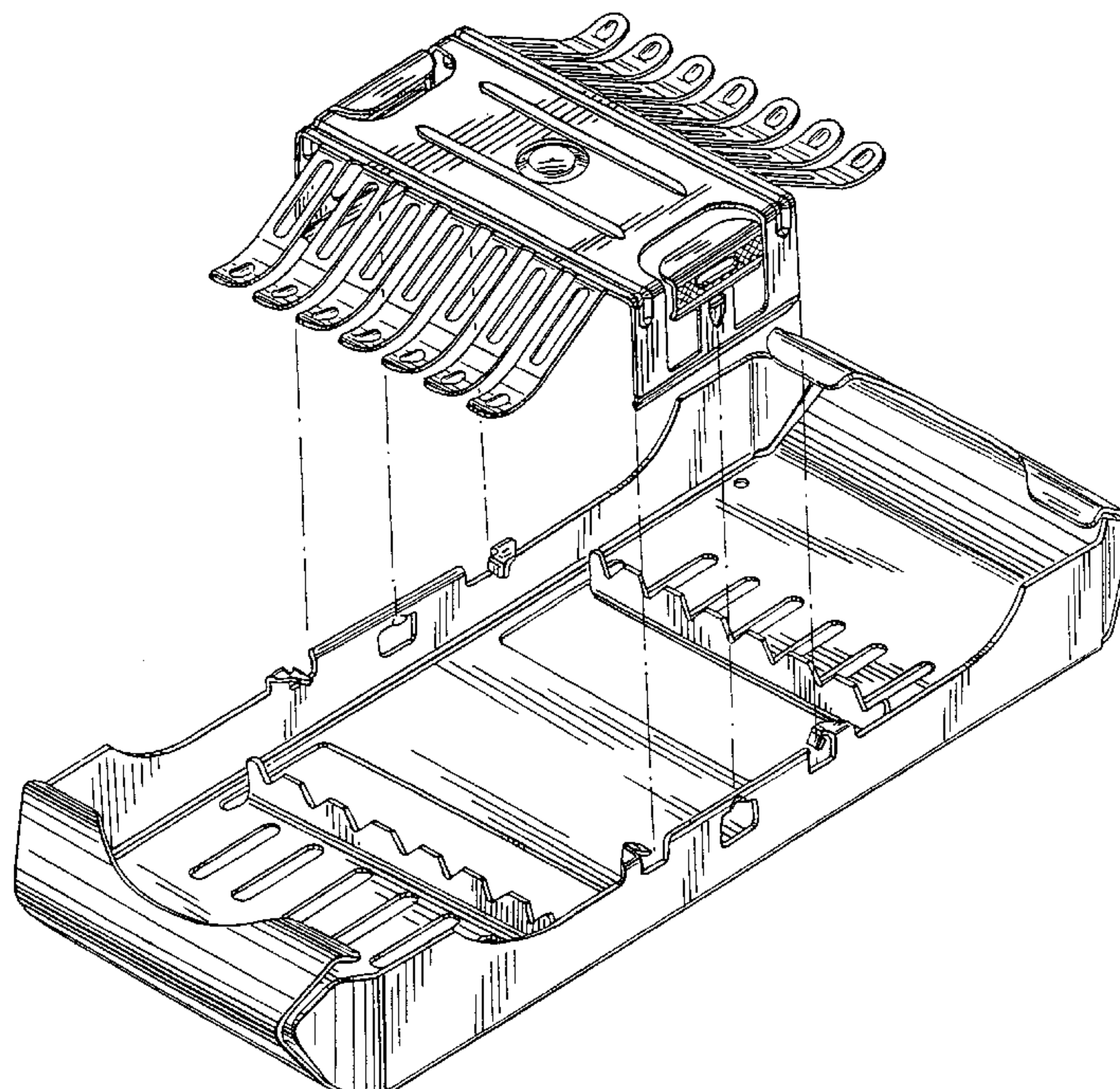
FIG. 11 is an end view of the assembled compact cassette and retainer of FIG. 9.

FIG. 12 is a bottom view of the assembled compact cassette and retainer of FIG. 9.

FIG. 13 is an exploded view of the assembled compact cassette of my new design showing the attachment of the retainer to the cassette; and,

FIG. 14 is an isometric view of the assembled compact cassette and retainer of my new design with dental instruments shown in phantom retained therein.

1 Claim, 8 Drawing Sheets



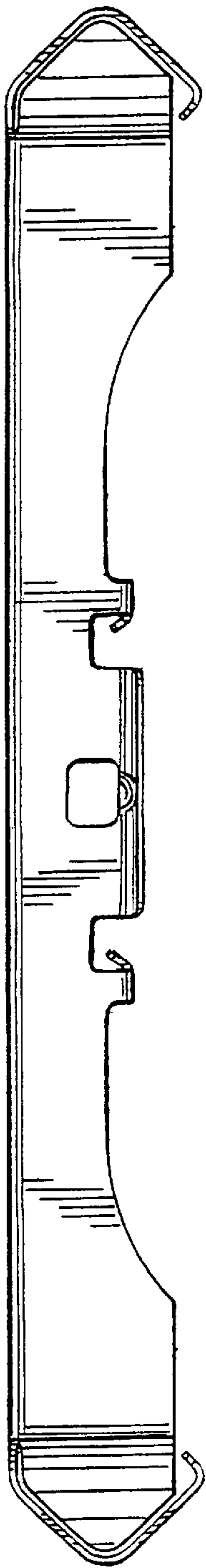


FIG. 2

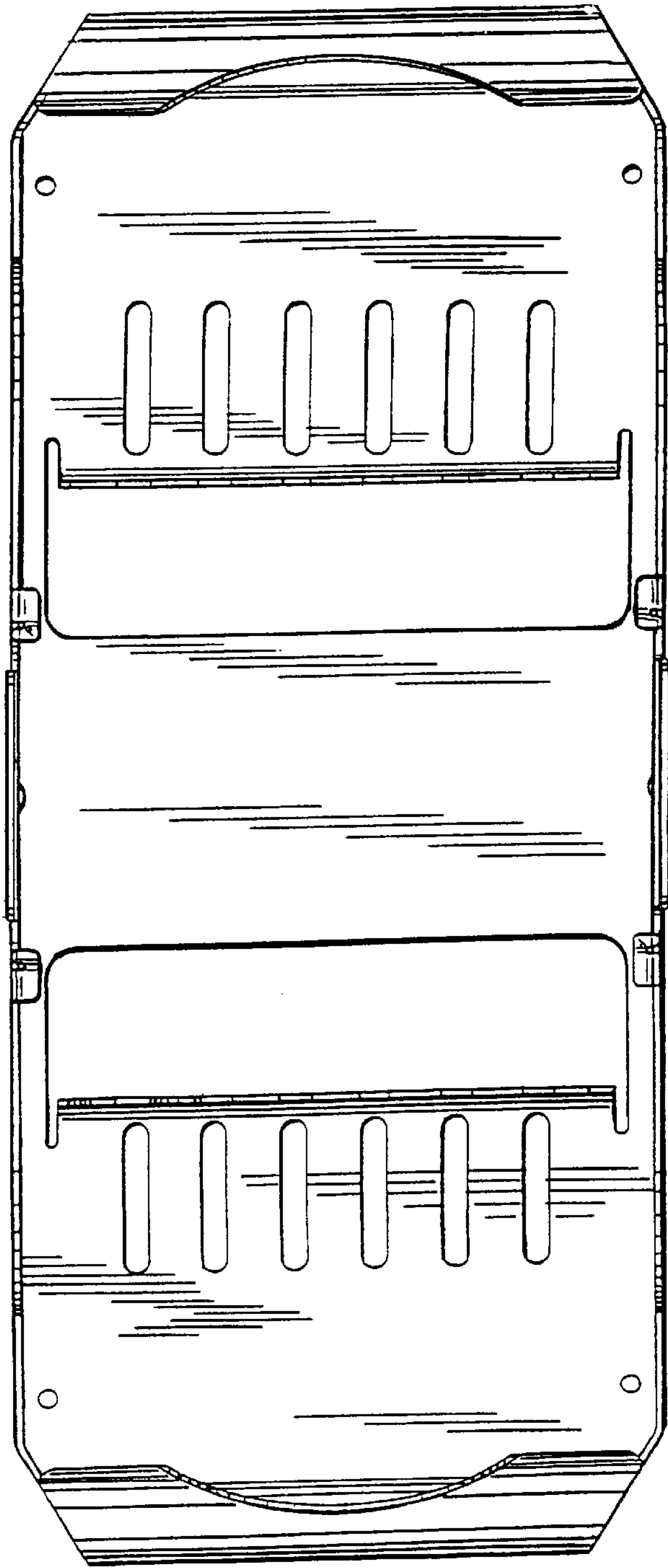


FIG. 1

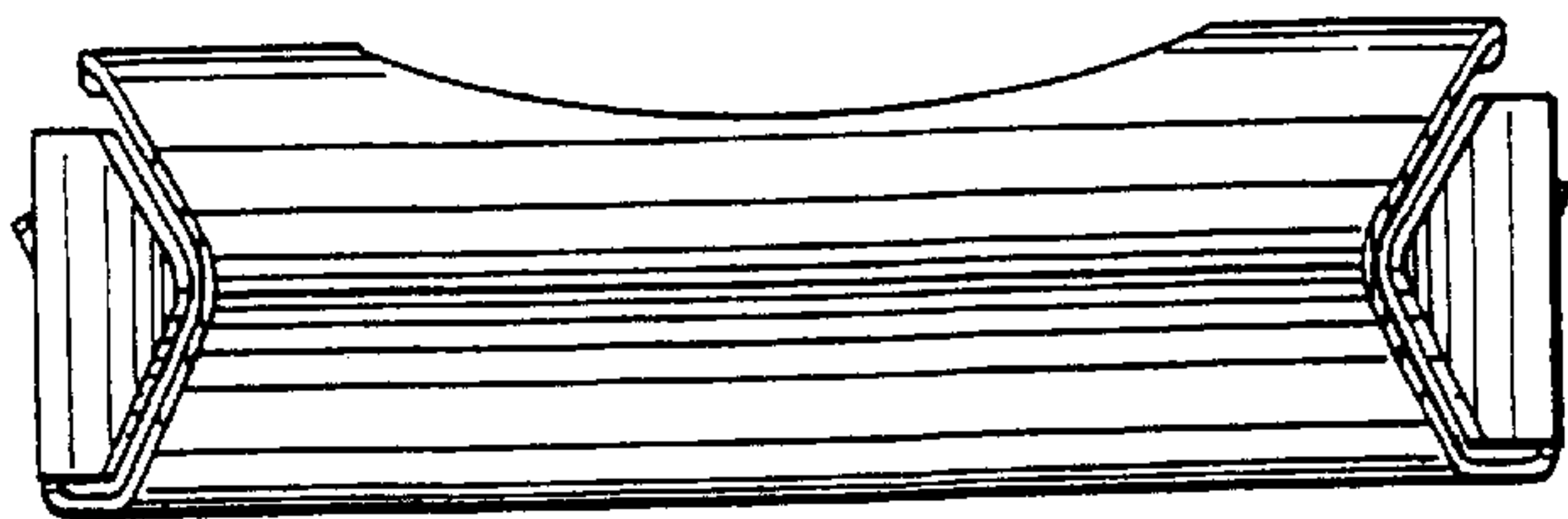


FIG. 3

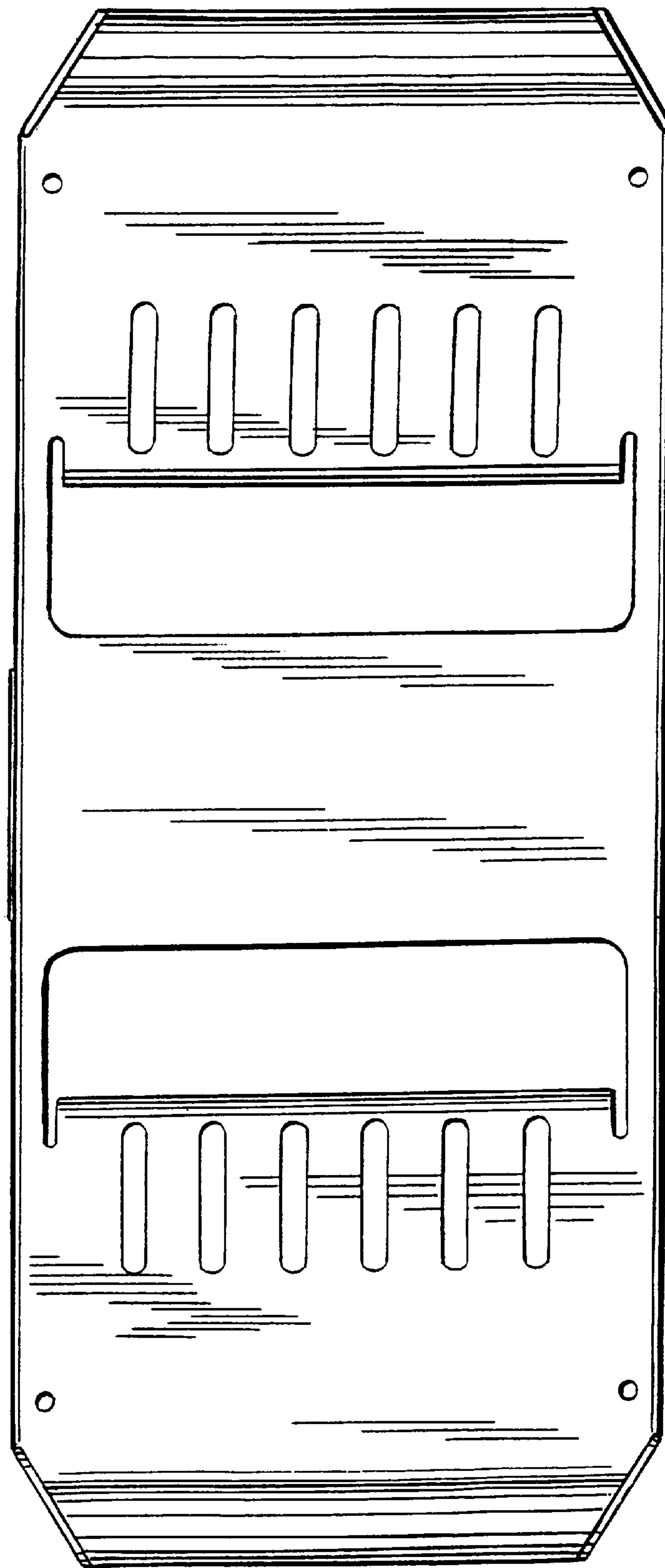


FIG.4

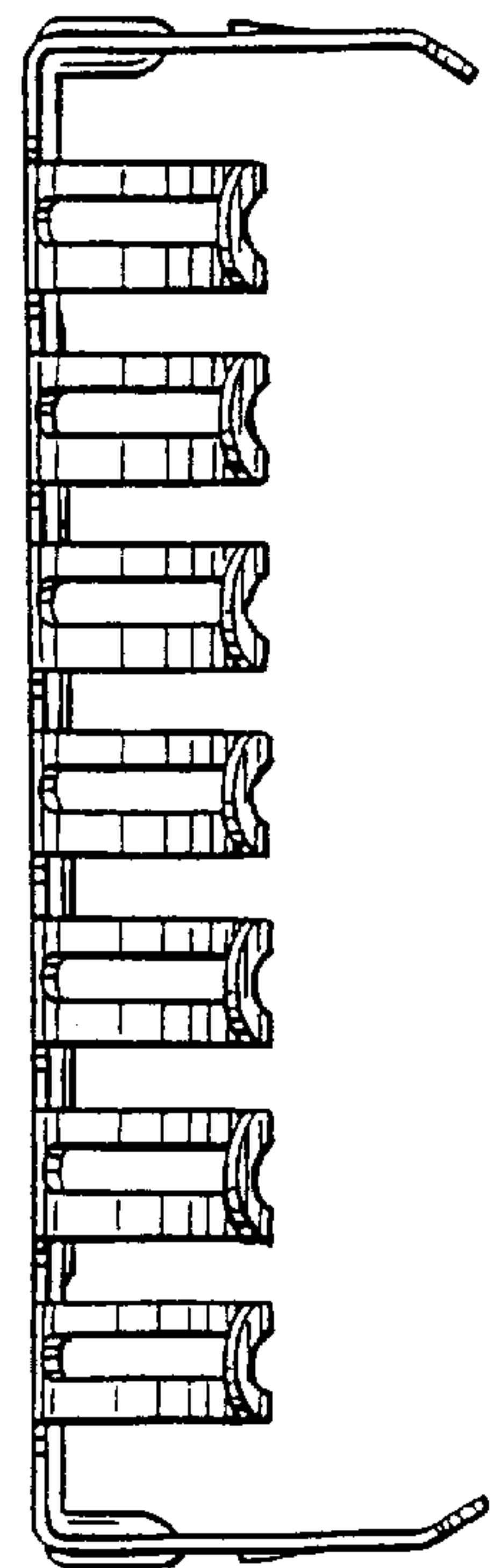
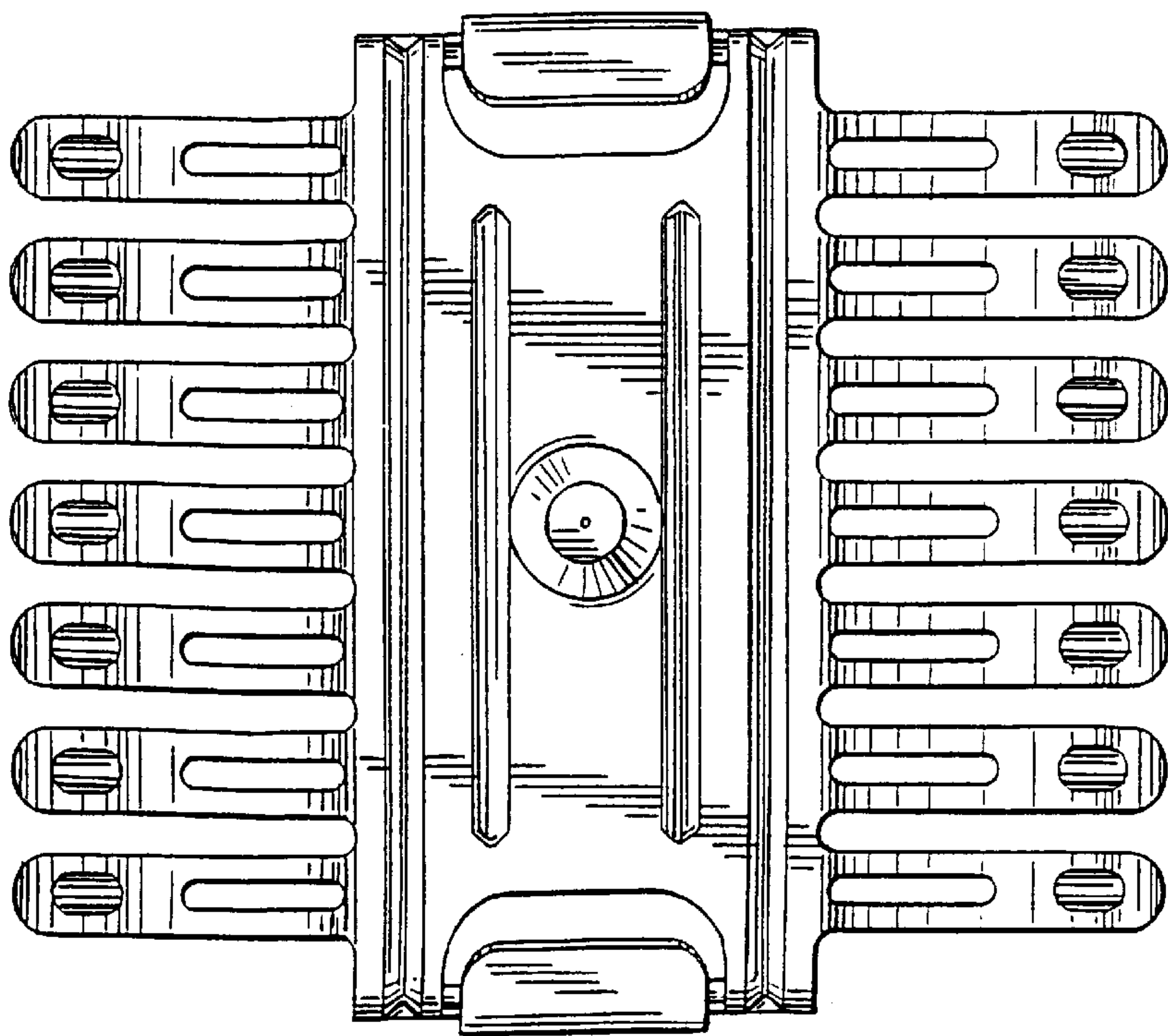
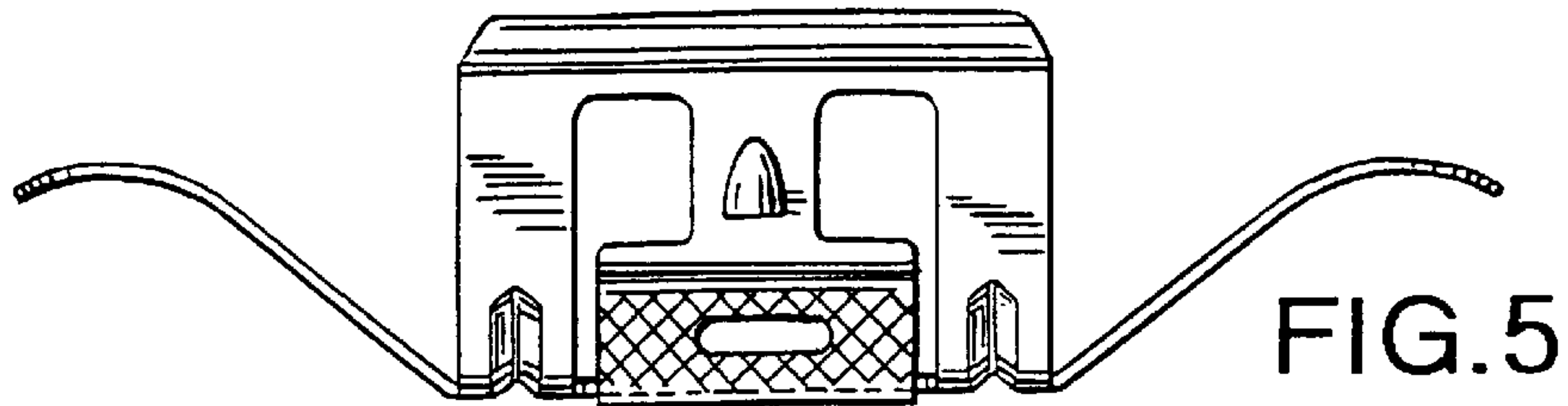


FIG. 6

FIG. 7

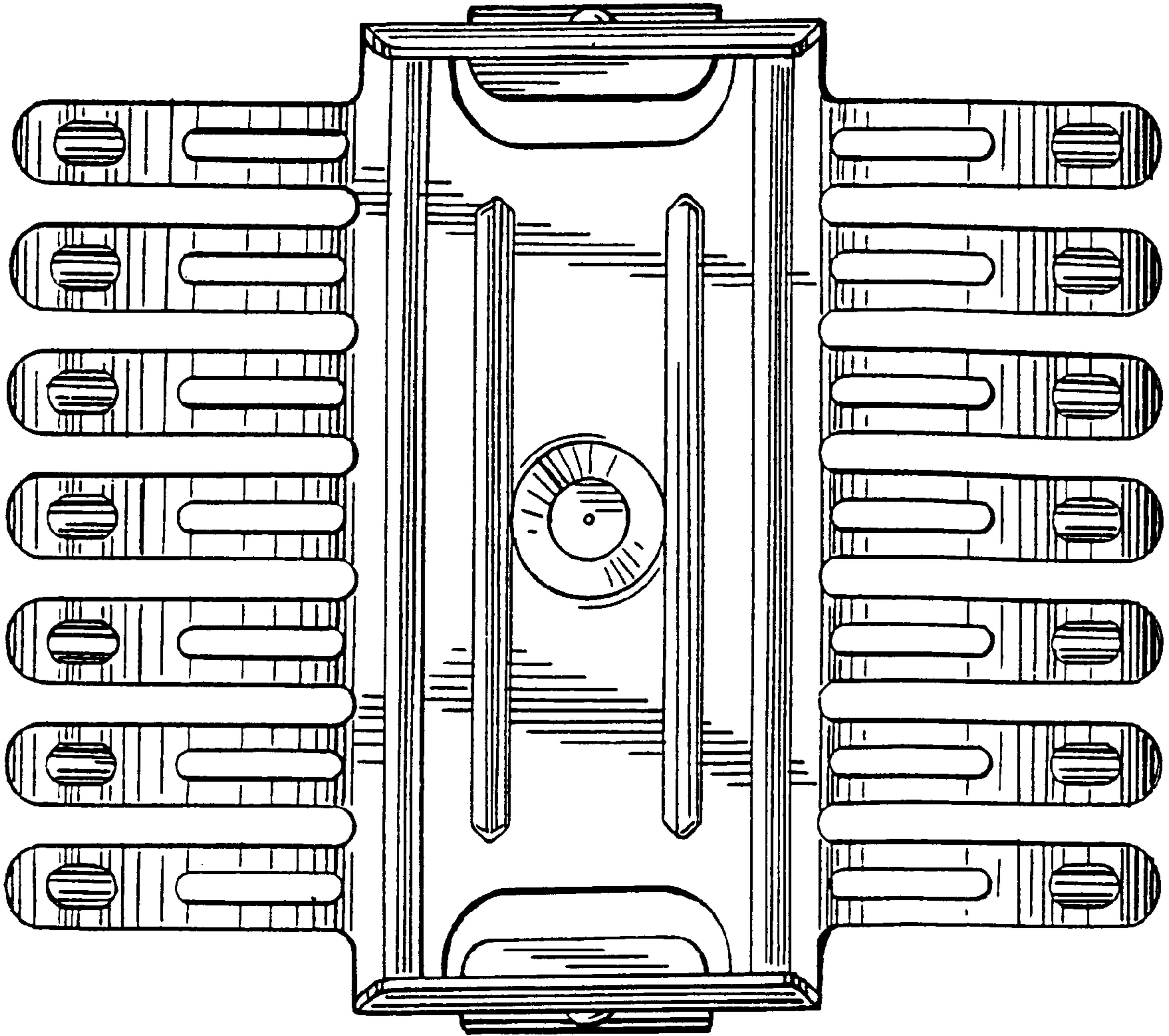


FIG.8

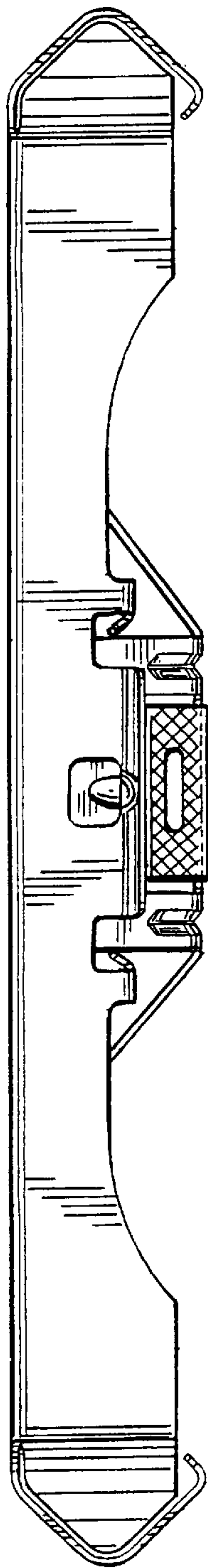


FIG. 10

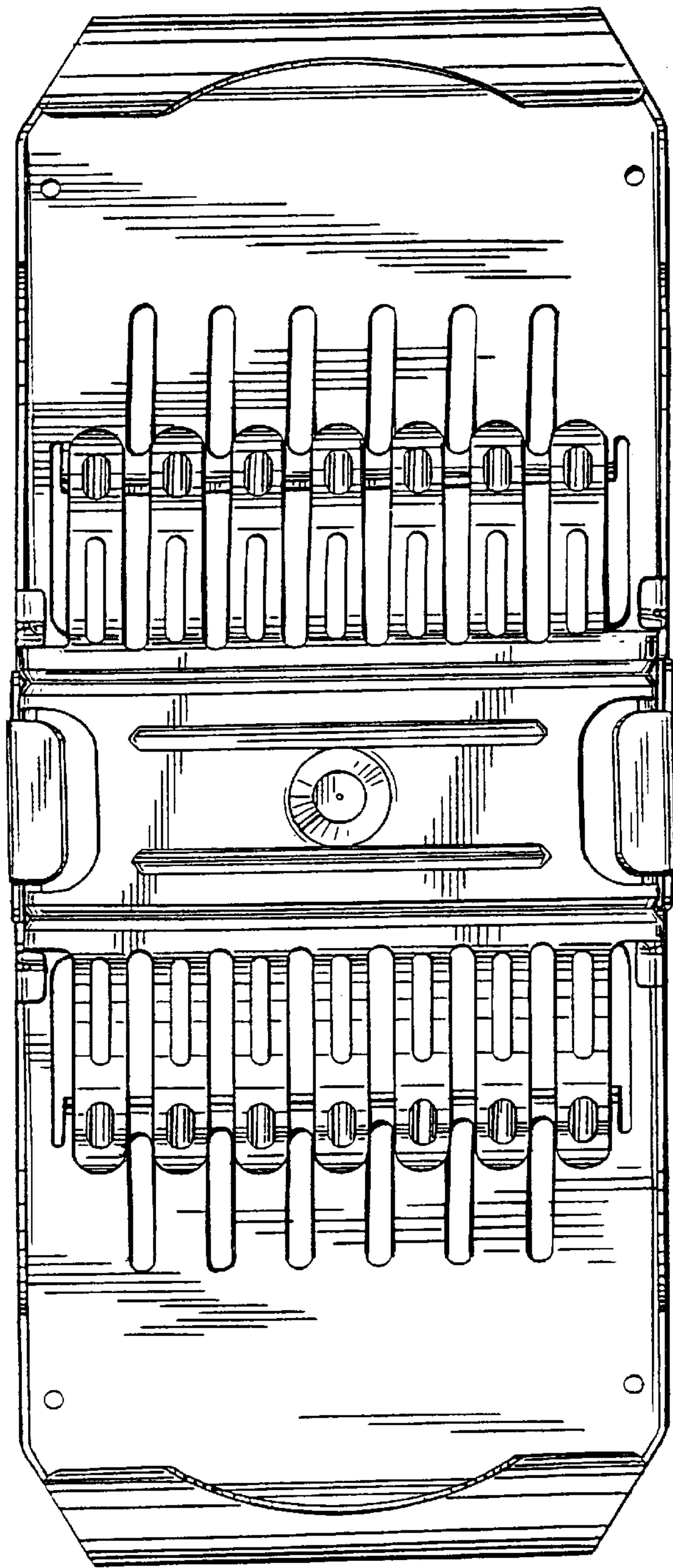


FIG. 9

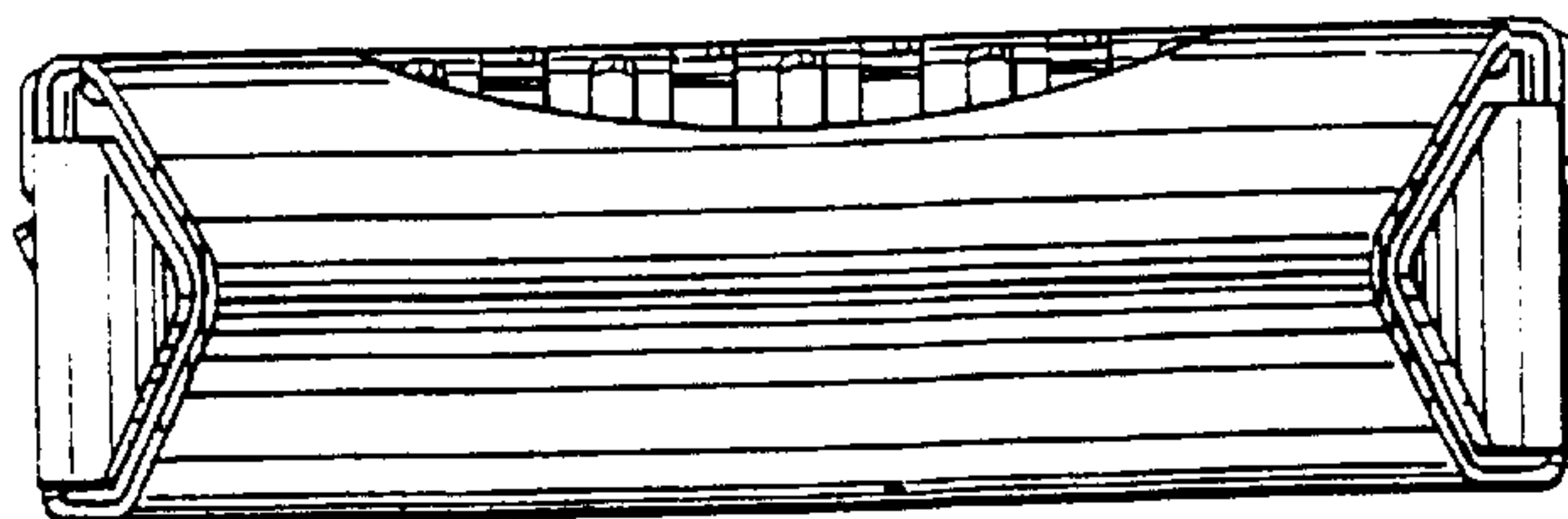


FIG. 11

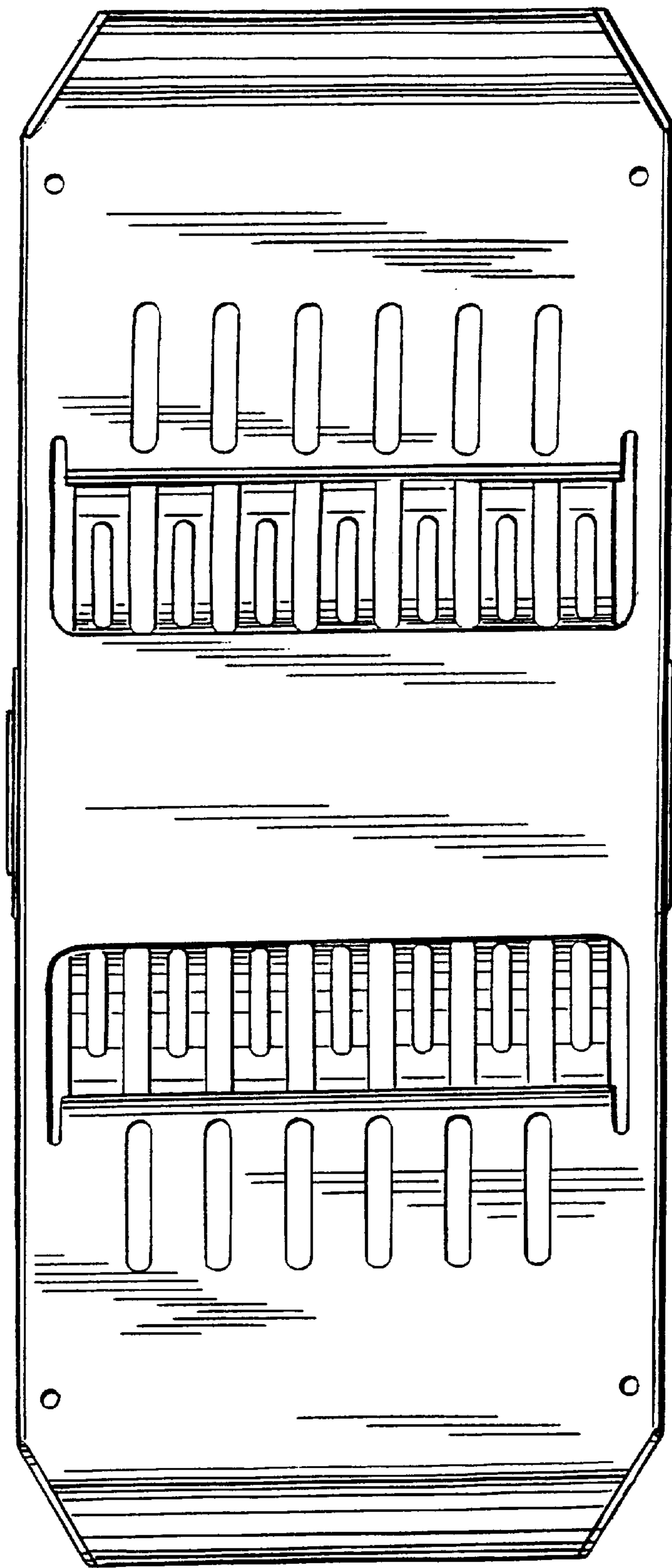


FIG.12

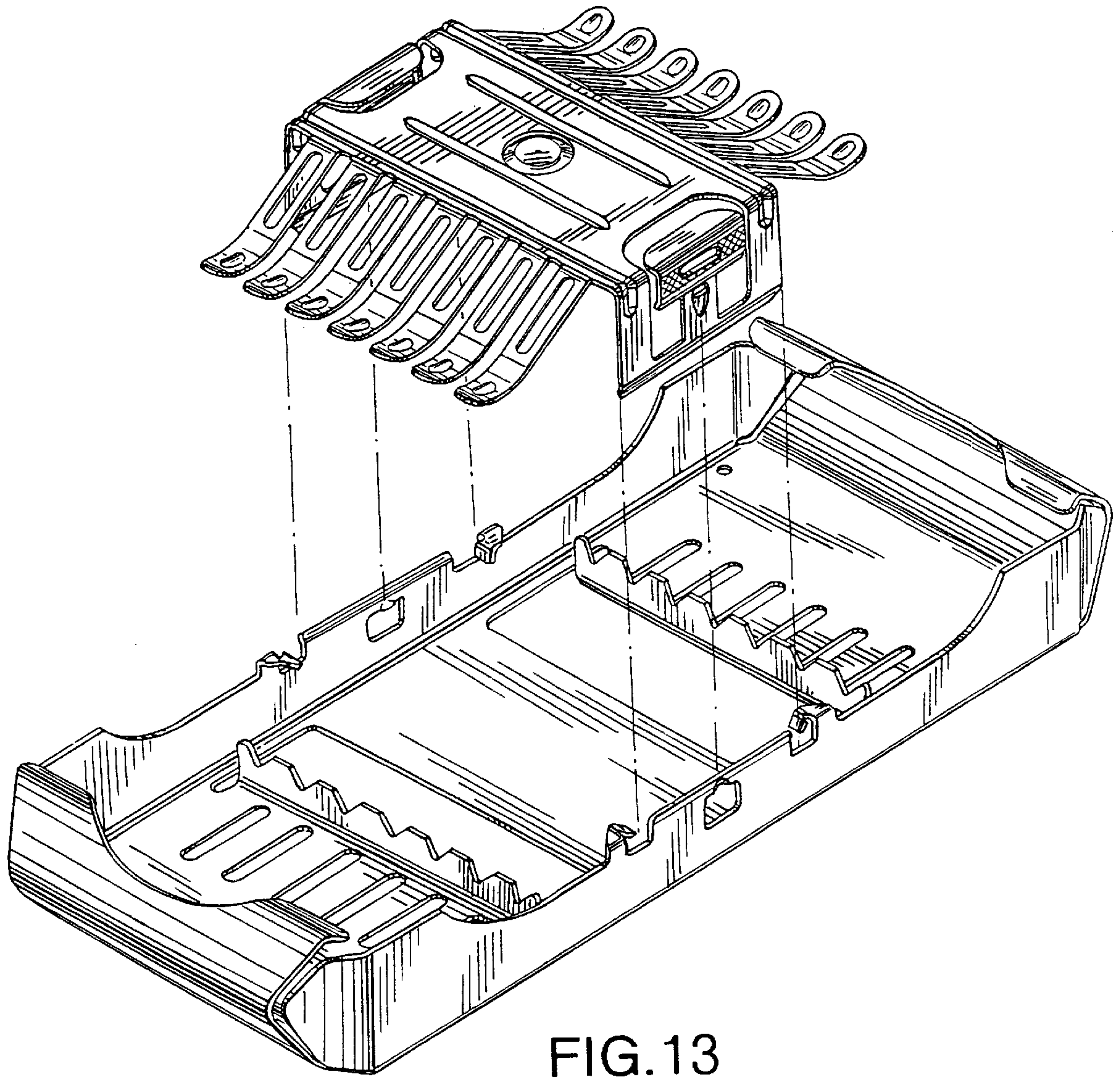


FIG.13

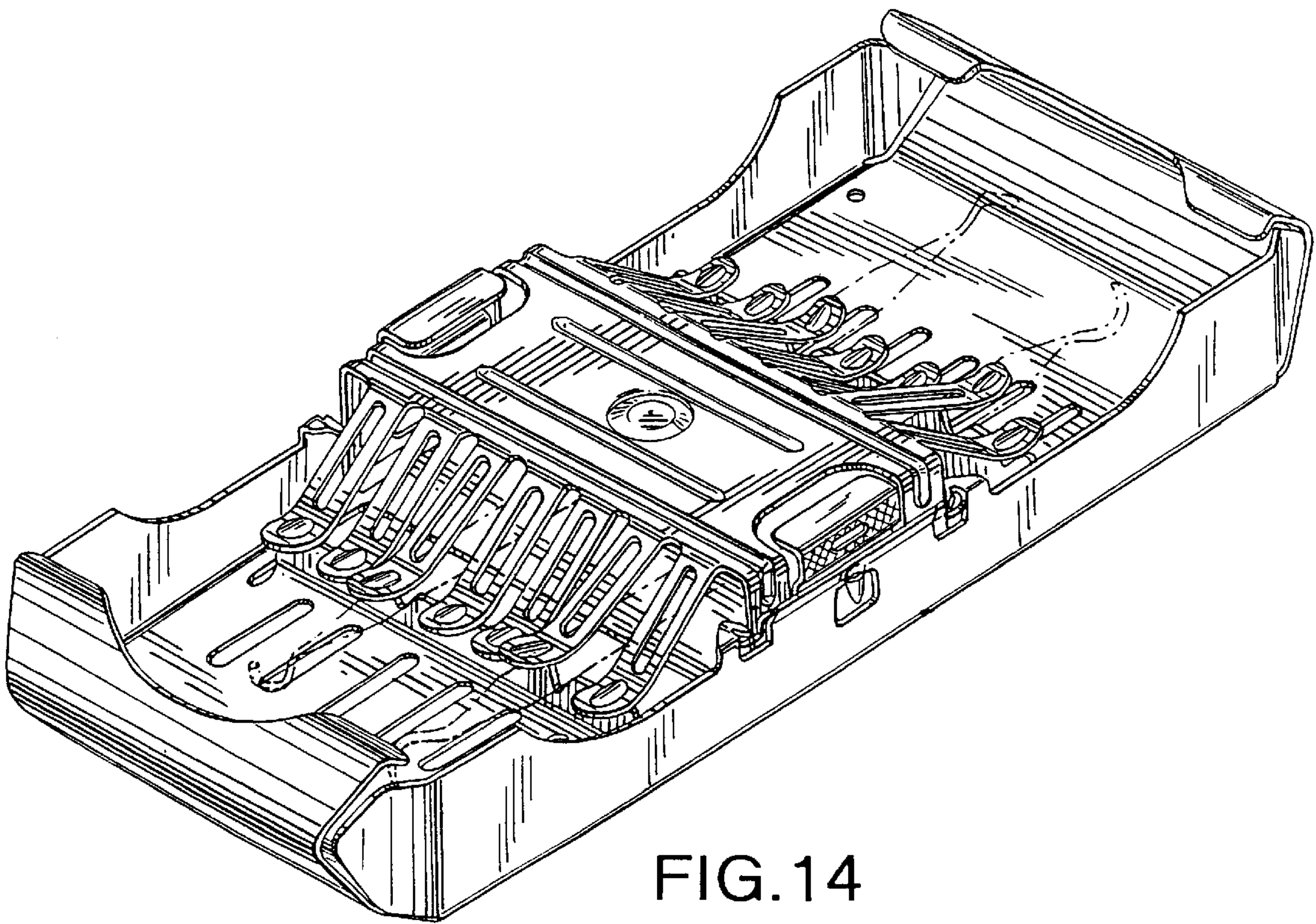


FIG.14