



US00D437059S

(12) **United States Design Patent**
Williams

(10) **Patent No.:** **US D437,059 S**

(45) **Date of Patent:** **** Jan. 30, 2001**

(54) **FOOT SPLINT**

5,143,058 * 9/1992 Luber et al. 602/28

5,154,695 * 10/1992 Farris et al. 602/27

5,224,925 * 7/1993 Varn 602/28

(75) Inventor: **Paul J. Williams**, Tampa, FL (US)

(73) Assignee: **Restorative Care of America**
Incorporated, Clearwater, FL (US)

* cited by examiner

(**) Term: **14 Years**

Primary Examiner—Stella Reid

(74) *Attorney, Agent, or Firm*—Zarley, McKee, Thomte,
Voorhees & Sease

(21) Appl. No.: **07/667,052**

(57) **CLAIM**

(22) Filed: **Mar. 8, 1991**

I claim the ornamental design for a foot splint, substantially
as shown.

(51) **LOC (7) Cl.** **24-04**

(52) **U.S. Cl.** **D24/192; D24/190**

(58) **Field of Search** D24/192, 190;
602/5, 6, 23, 27, 28, 29

DESCRIPTION

(56) **References Cited**

U.S. PATENT DOCUMENTS

D. 269,908	*	7/1983	Payton	D24/192
D. 317,651	*	6/1991	Farris et al.	D24/192
D. 338,273	*	8/1993	Williams	D24/192
D. 351,912	*	10/1994	Turtzo et al.	D24/192
3,976,059		8/1976	Lonardo	128/80

FIG. 1 is a perspective view of a foot splint, showing my
new design;

FIG. 2 is a side elevational view thereof, on an enlarged
scale;

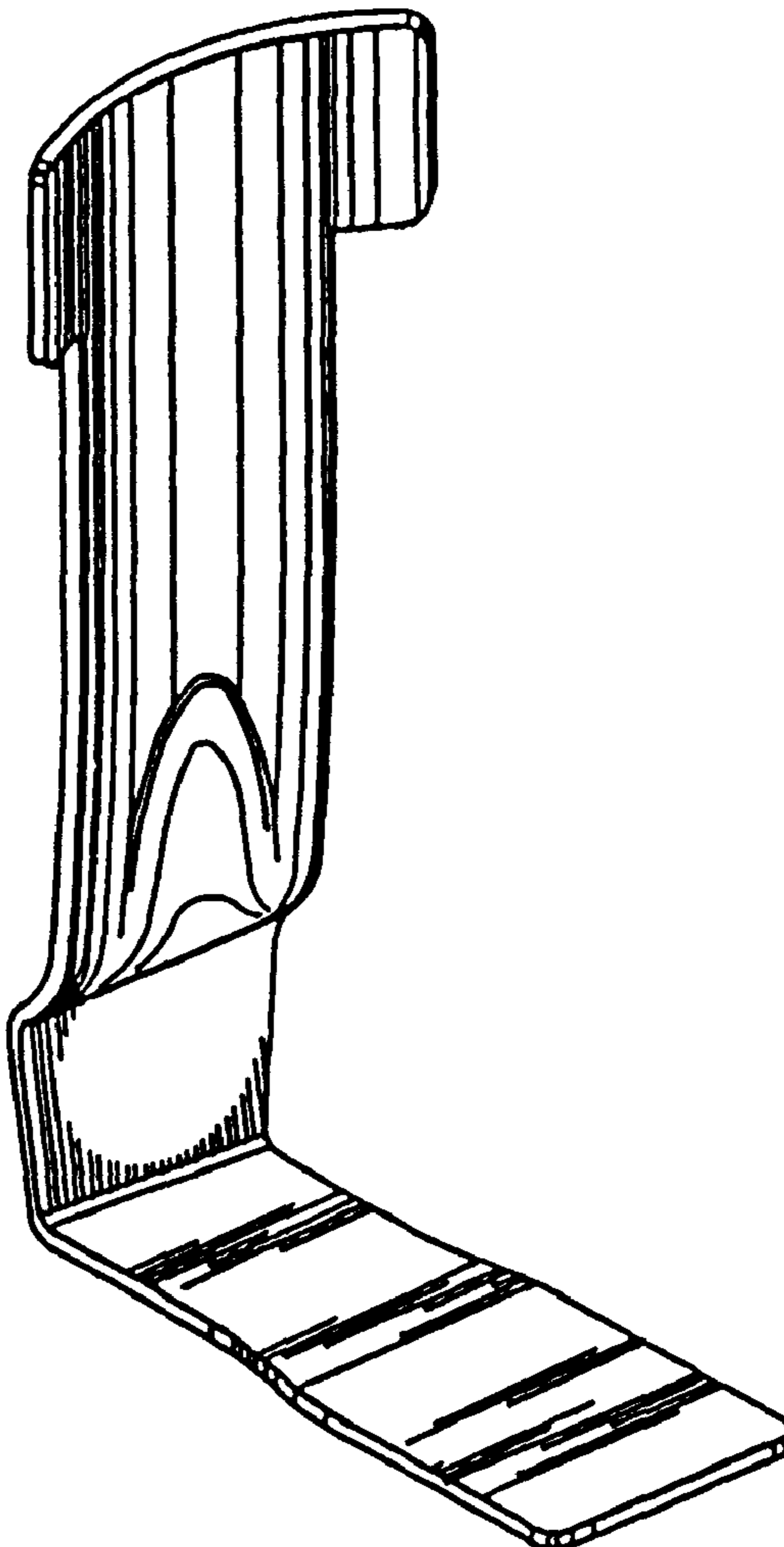
FIG. 3 is a rear elevational view thereof;

FIG. 4 is a front elevational view thereof;

FIG. 5 is a top plan view thereof; and,

FIG. 6 is a bottom plan view thereof.

1 Claim, 1 Drawing Sheet



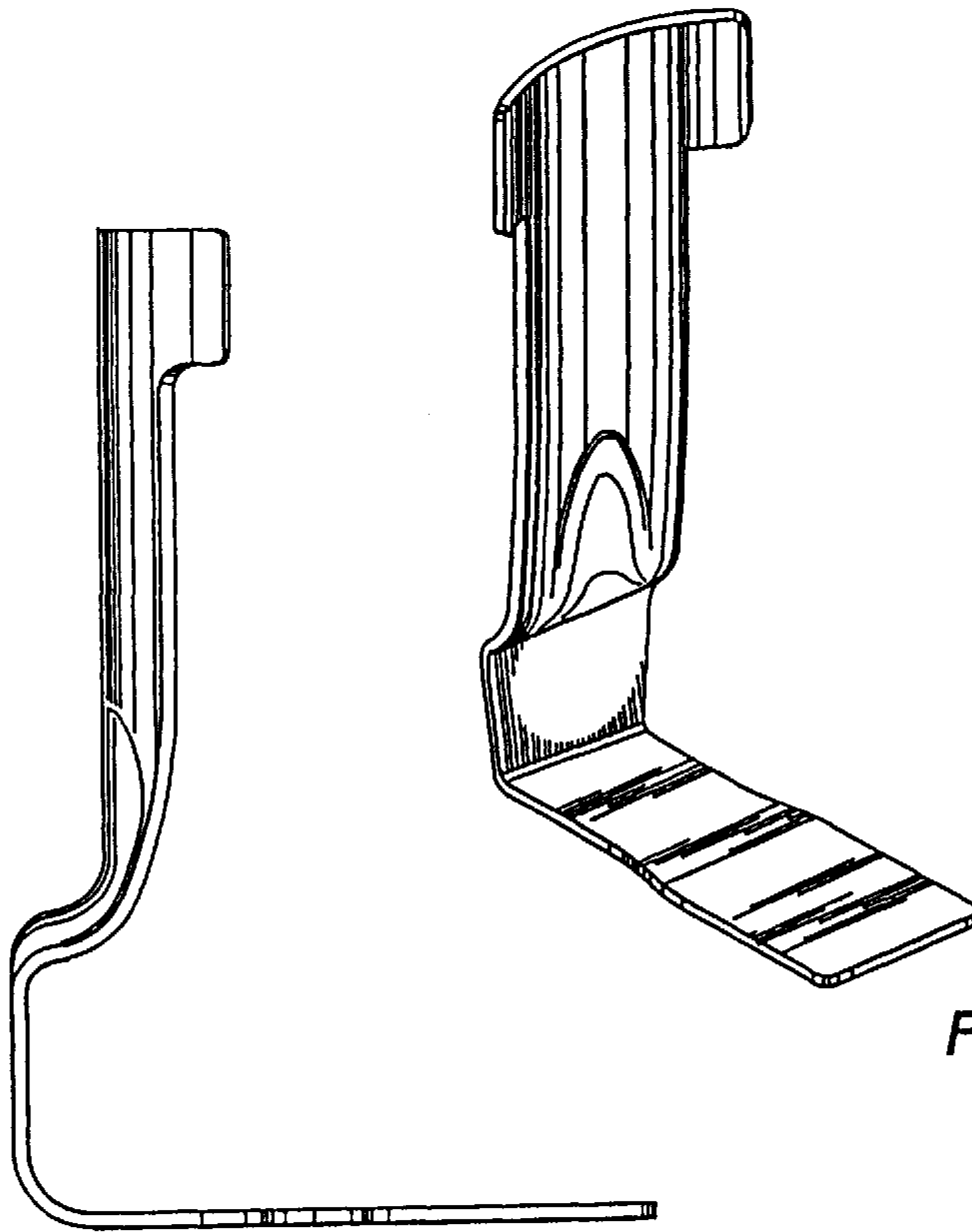


Fig. 1

Fig. 2

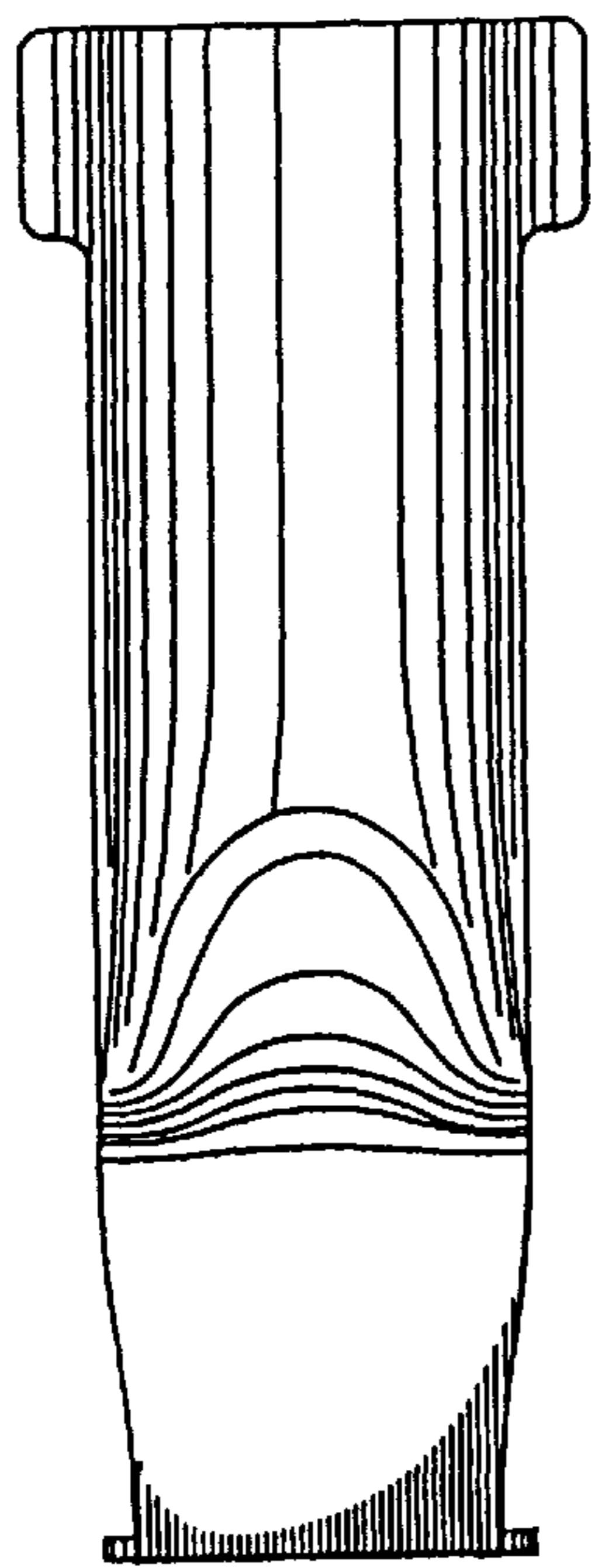


Fig. 3

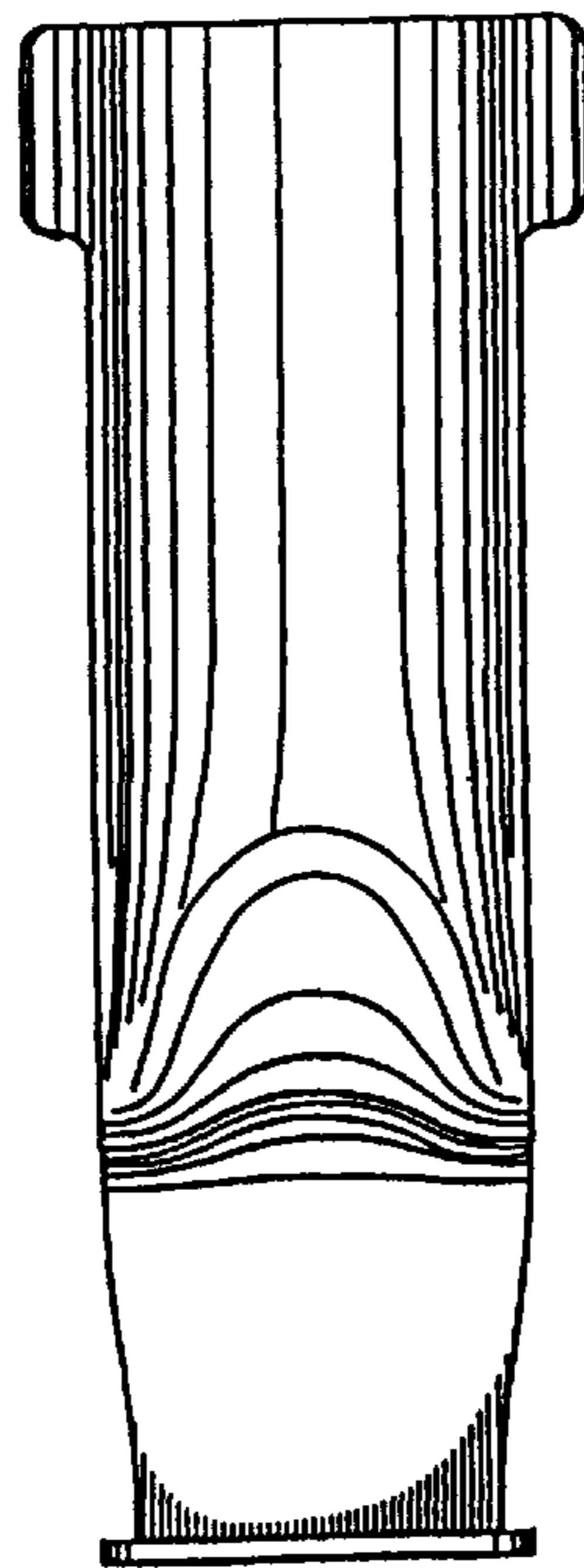


Fig. 4

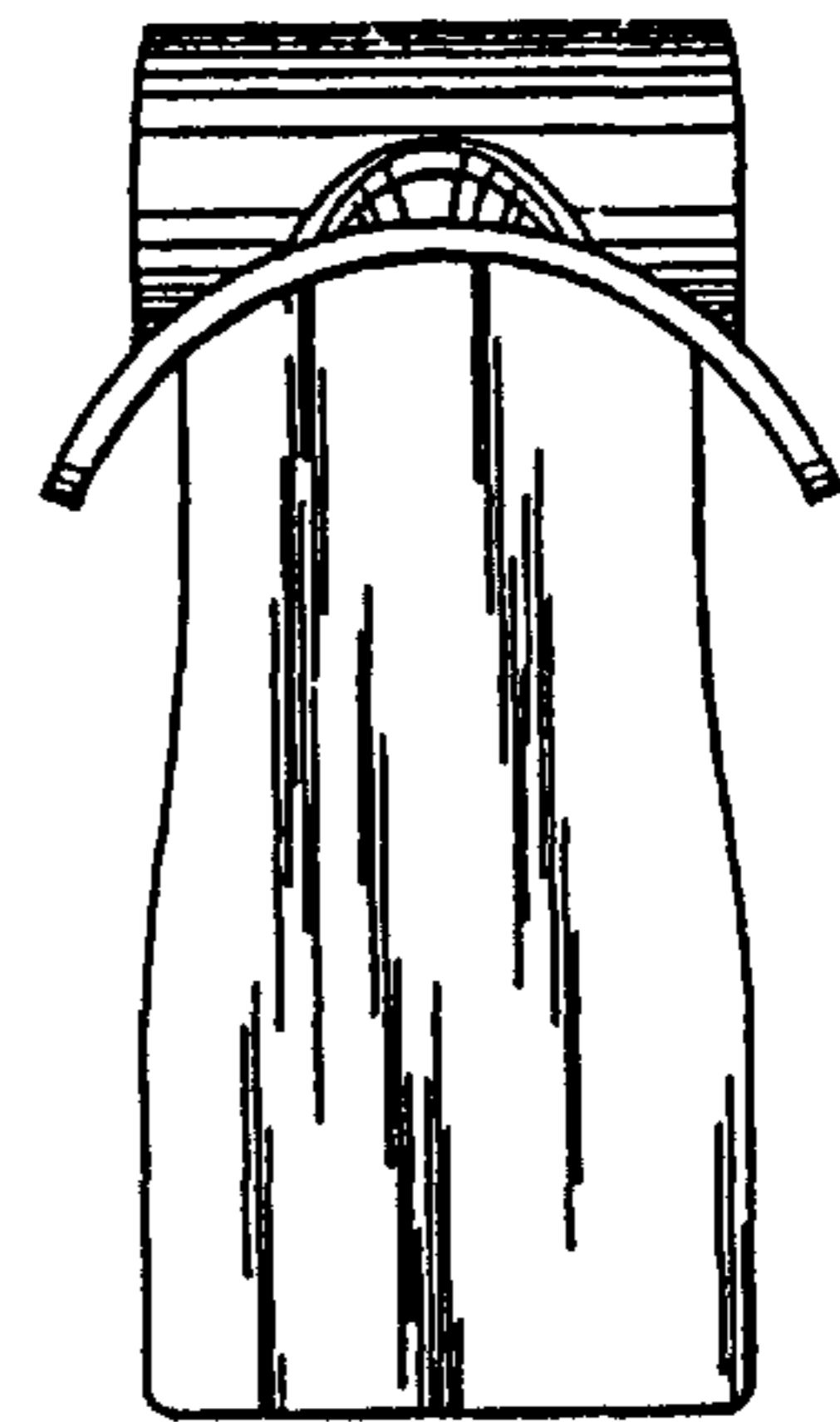


Fig. 5

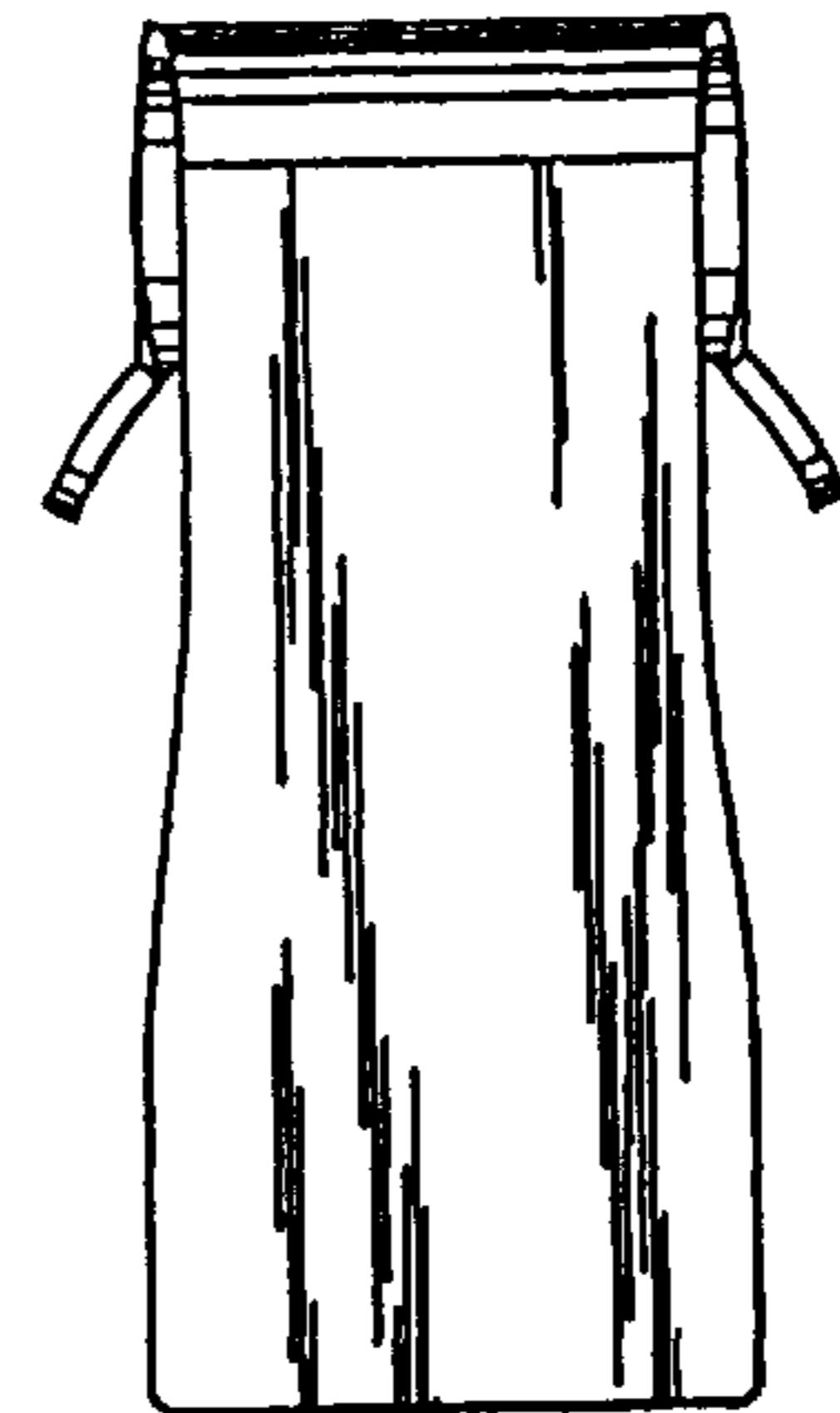


Fig. 6