



US00D437055S

(12) **United States Design Patent**
Michelson

(10) **Patent No.:** **US D437,055 S**
(45) **Date of Patent:** **** Jan. 30, 2001**

(54) **TRAILING END OF A SPINAL IMPLANT**

(76) Inventor: **Gary K. Michelson**, 438 Sherman Canal, Venice, CA (US) 90291

(**) Term: **14 Years**

(21) Appl. No.: **29/115,228**

(22) Filed: **Dec. 9, 1999**

(51) **LOC (7) Cl.** **24-03**

(52) **U.S. Cl.** **D24/155; D24/135**

(58) **Field of Search** D24/135, 155;
606/60, 61, 72, 73; 134/3, 32, 41; 128/92 R,
926; 623/10, 11, 12, 16, 17, 66

(56) **References Cited**

U.S. PATENT DOCUMENTS

D. 377,095	12/1996	Michelson .	
D. 377,096	12/1996	Michelson .	
D. 397,439	8/1998	Koros et al. .	
D. 425,989	5/2000	Michelson .	
4,501,269	2/1985	Bagby .	
4,704,126	* 11/1987	Baswell et al.	623/12 X
5,015,247	5/1991	Michelson .	
5,776,196	7/1998	Matsuzaki et al. .	
5,860,973	1/1999	Michelson .	

* cited by examiner

Primary Examiner—Antoine Duval Davis

(74) *Attorney, Agent, or Firm*—Martin & Ferraro, LLP

(57) **CLAIM**

The ornamental design for a trailing end of a spinal implant, substantially as shown and described.

DESCRIPTION

FIG. 1 is a perspective view of the trailing end of a spinal implant in accordance with a third embodiment of my claimed design with the remainder of the implant shown in hidden line and forming no part of the claimed design;

FIG. 2 is an end view of FIG. 1;

FIG. 3 is a side elevational view of FIG. 2 with the remainder of the implant shown in hidden line and forming no part of the claimed design;

FIG. 4 is a perspective view of the trailing end of a spinal implant in accordance with a fourth embodiment of my claimed design with the remainder of the implant shown in hidden line and forming no part of the claimed design;

FIG. 5 is an end view of FIG. 4;

FIG. 6 is a side elevational view of FIG. 4 with the remainder of the implant shown in hidden line and forming no part of the claimed design;

FIG. 7 is a perspective view of the trailing end of a spinal implant in accordance with a fifth embodiment of my claimed design with the remainder of the implant shown in hidden line and forming no part of the claimed design;

FIG. 8 is an end view of FIG. 7;

FIG. 9 is a side elevational view of FIG. 7 with the remainder of the implant shown in hidden line and forming no part of the claimed design;

FIG. 10 is a perspective view of the trailing end of a spinal implant in accordance with a sixth embodiment of my claimed design with the remainder of the implant shown in hidden line and forming no part of the claimed design;

FIG. 11 is an end view of FIG. 10;

FIG. 12 is a side elevational view of FIG. 10 with the remainder of the implant shown in hidden line and forming no part of the claimed design;

FIG. 13 is a perspective view of the trailing end of a spinal implant in accordance with a seventh embodiment of my claimed design with the remainder of the implant shown in hidden line and forming no part of the claimed design;

FIG. 14 is an end view of FIG. 13; and,

FIG. 15 is a side elevational view of FIG. 13 with the remainder of the implant shown in hidden line and forming no part of the claimed design.

The broken line showing is for illustrative purposes only and forms no part of the claimed design.

1 Claim, 5 Drawing Sheets

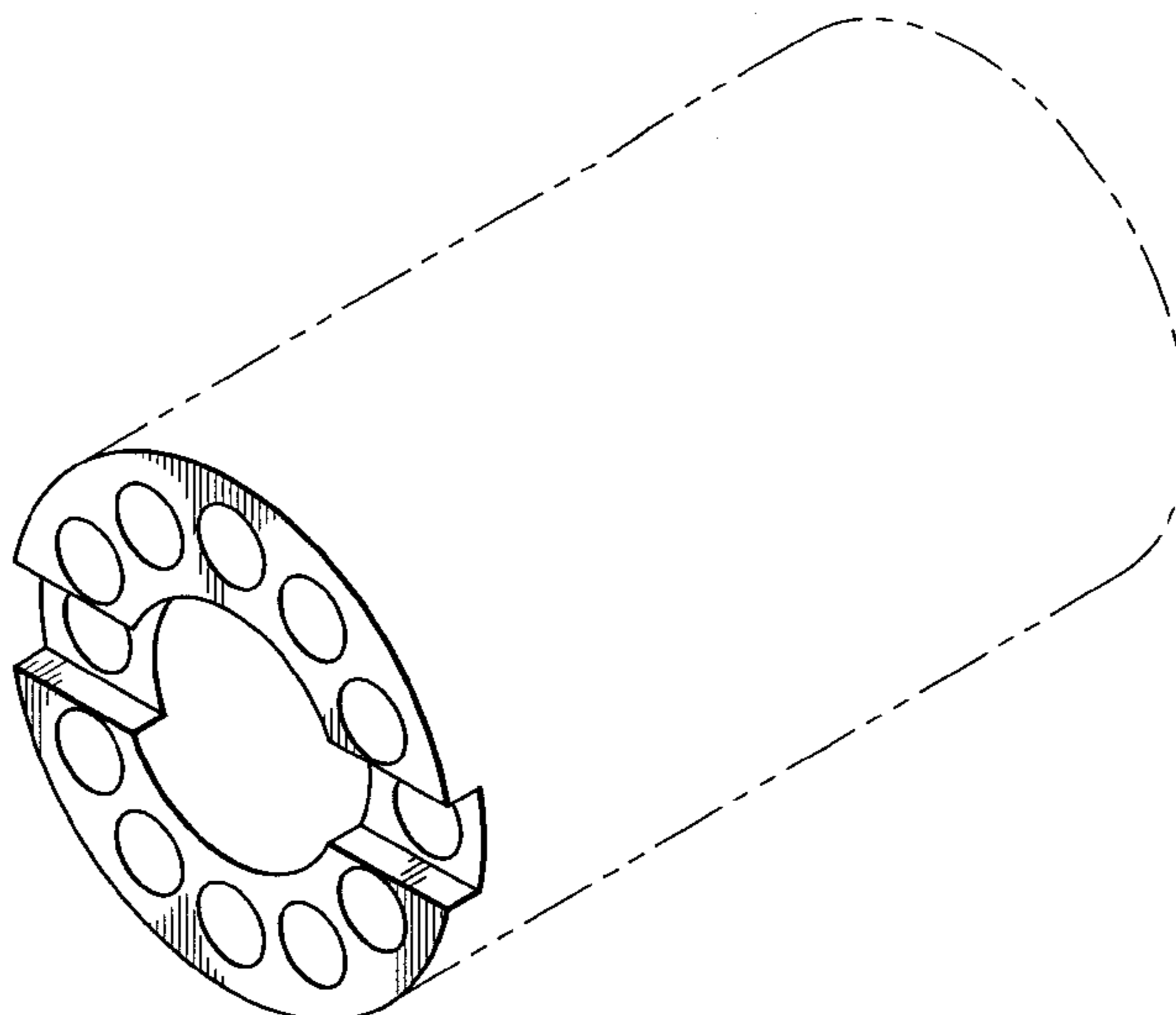


FIG. 1

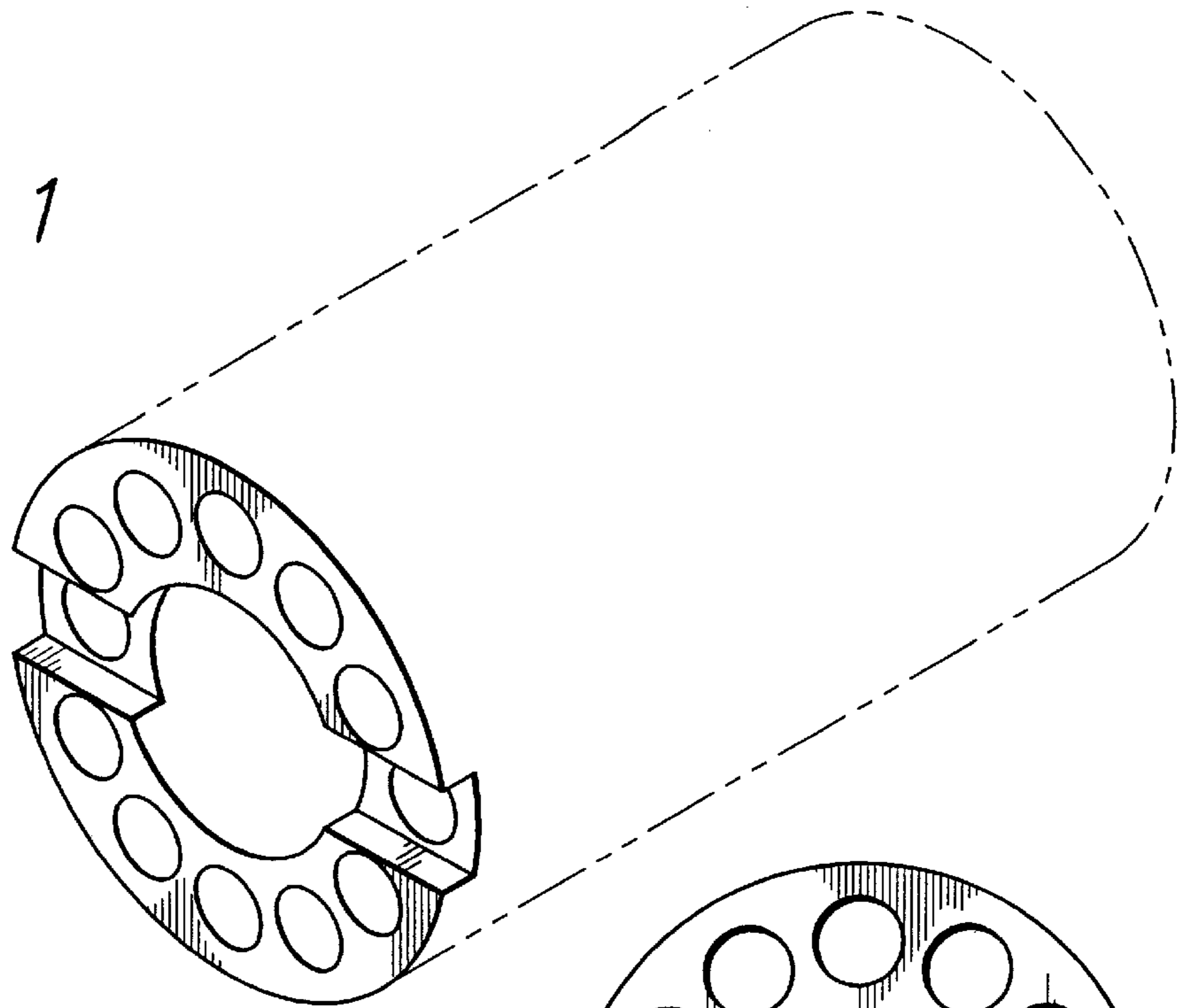


FIG. 2

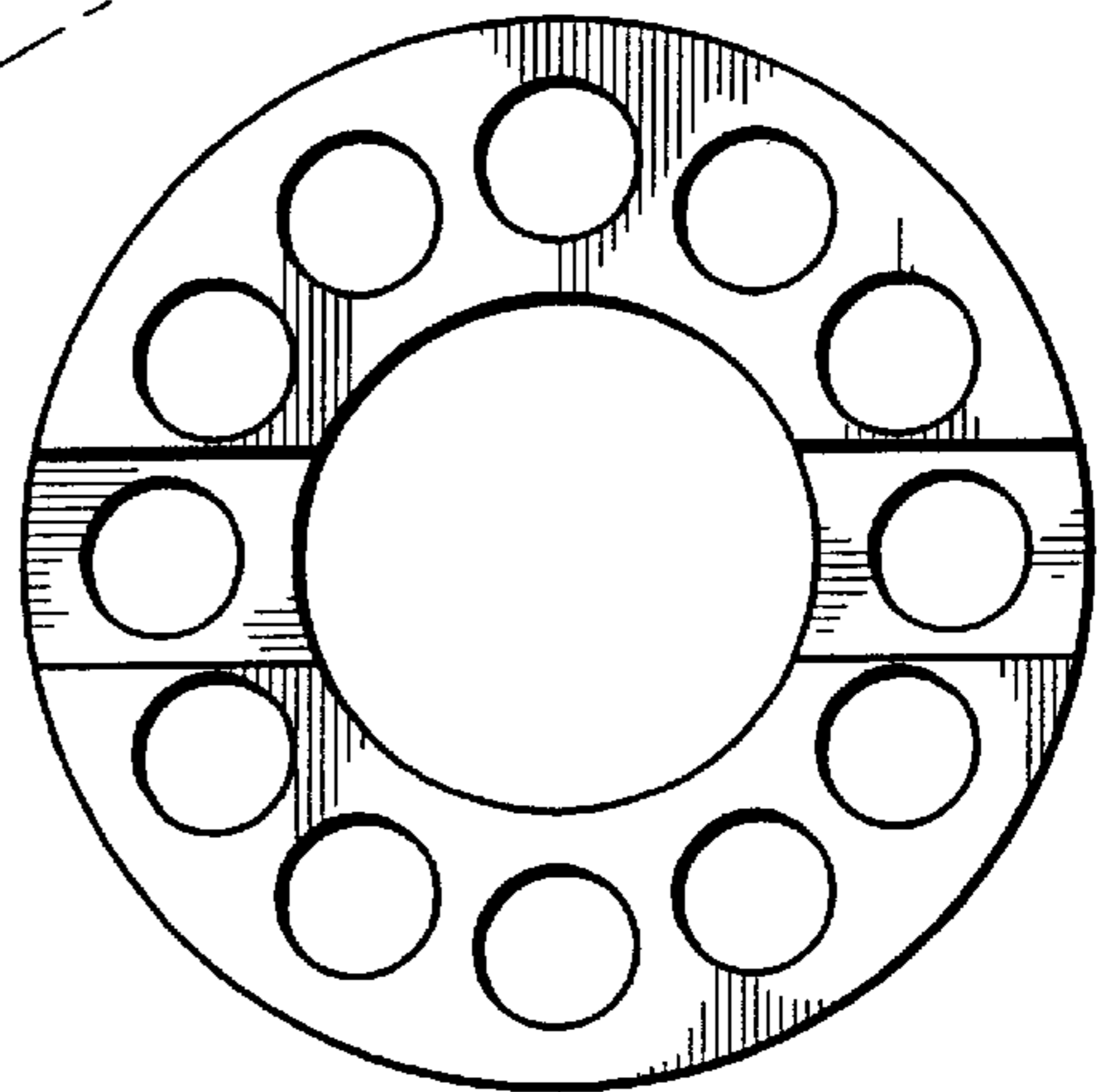


FIG. 3

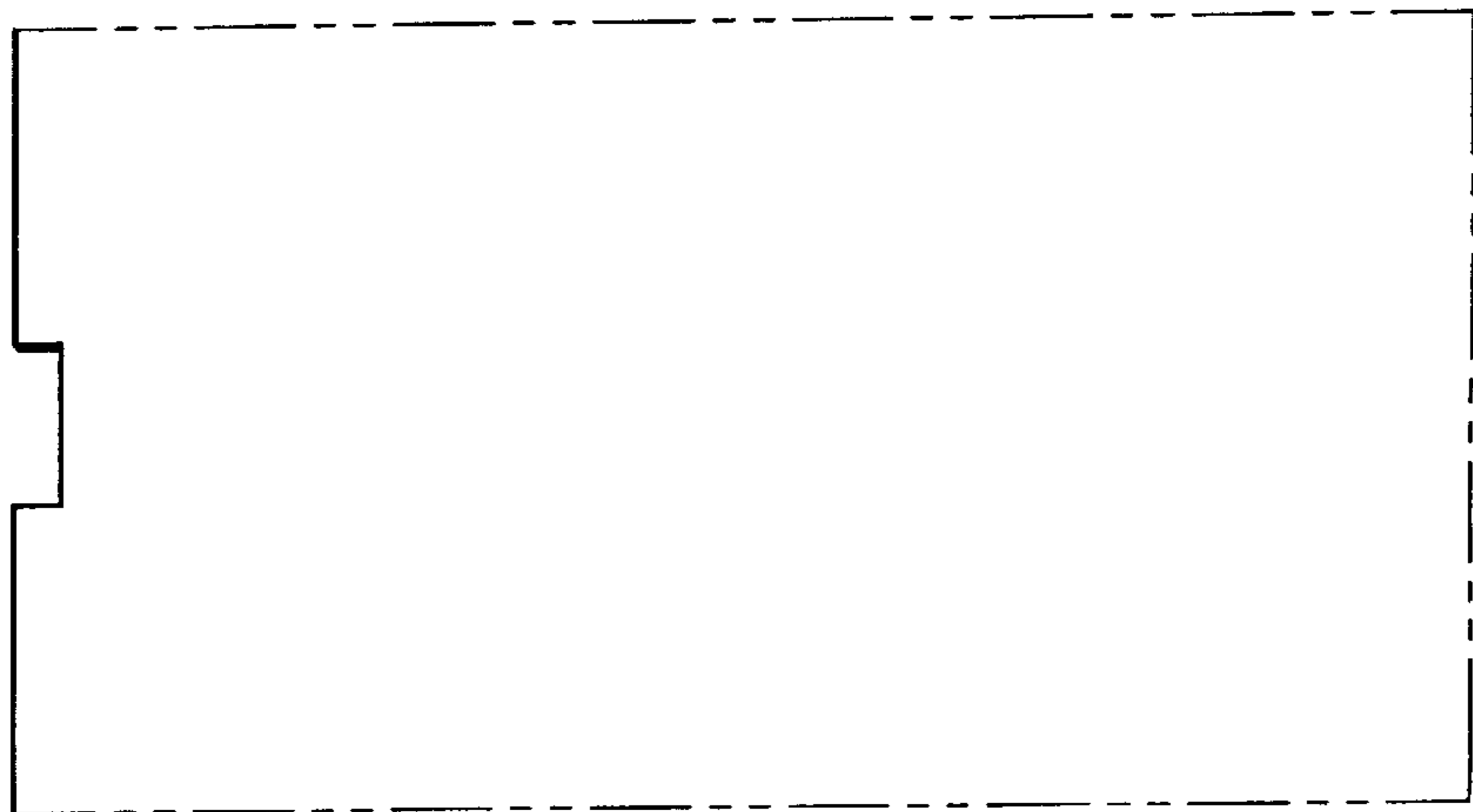


FIG. 4

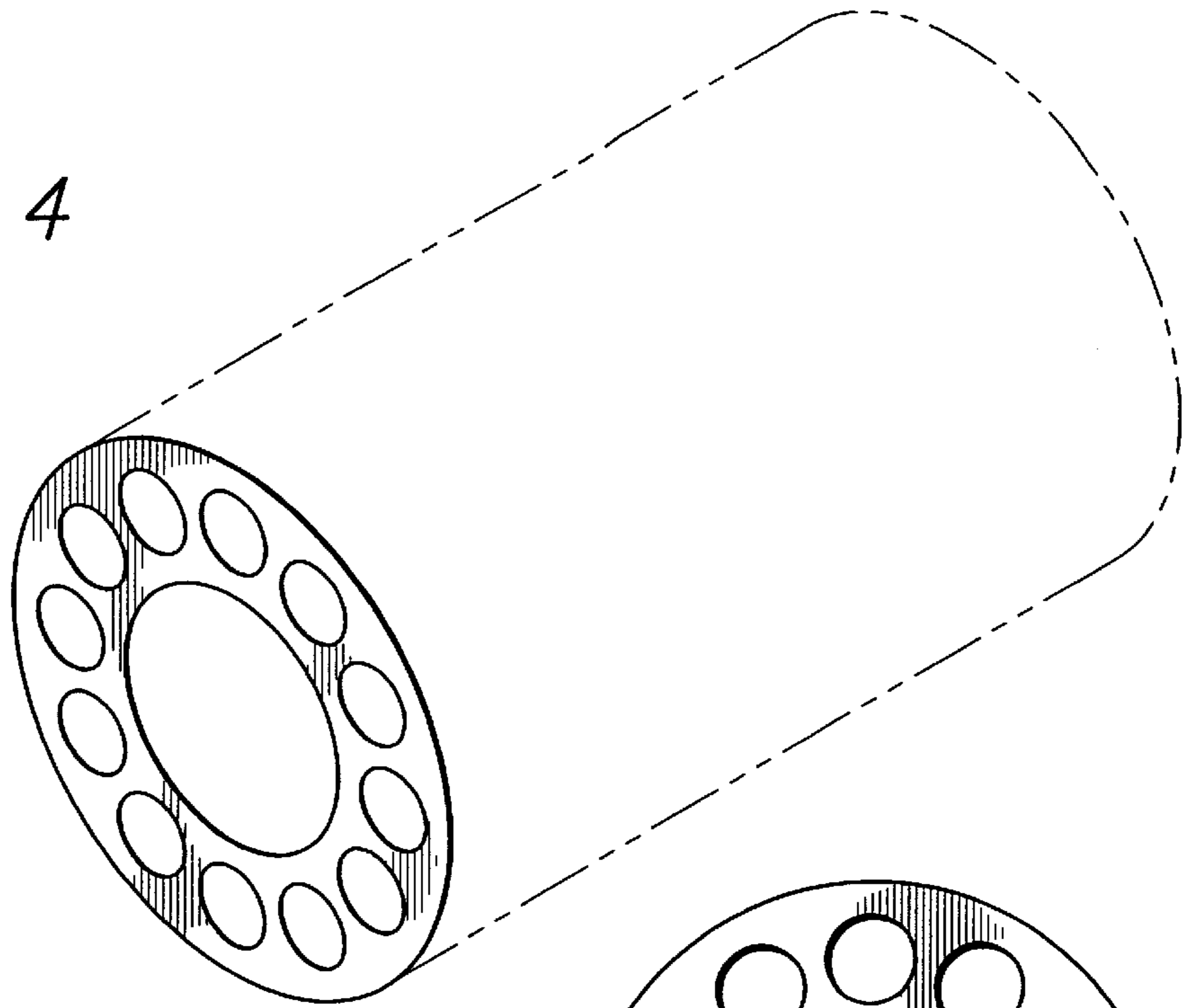


FIG. 5

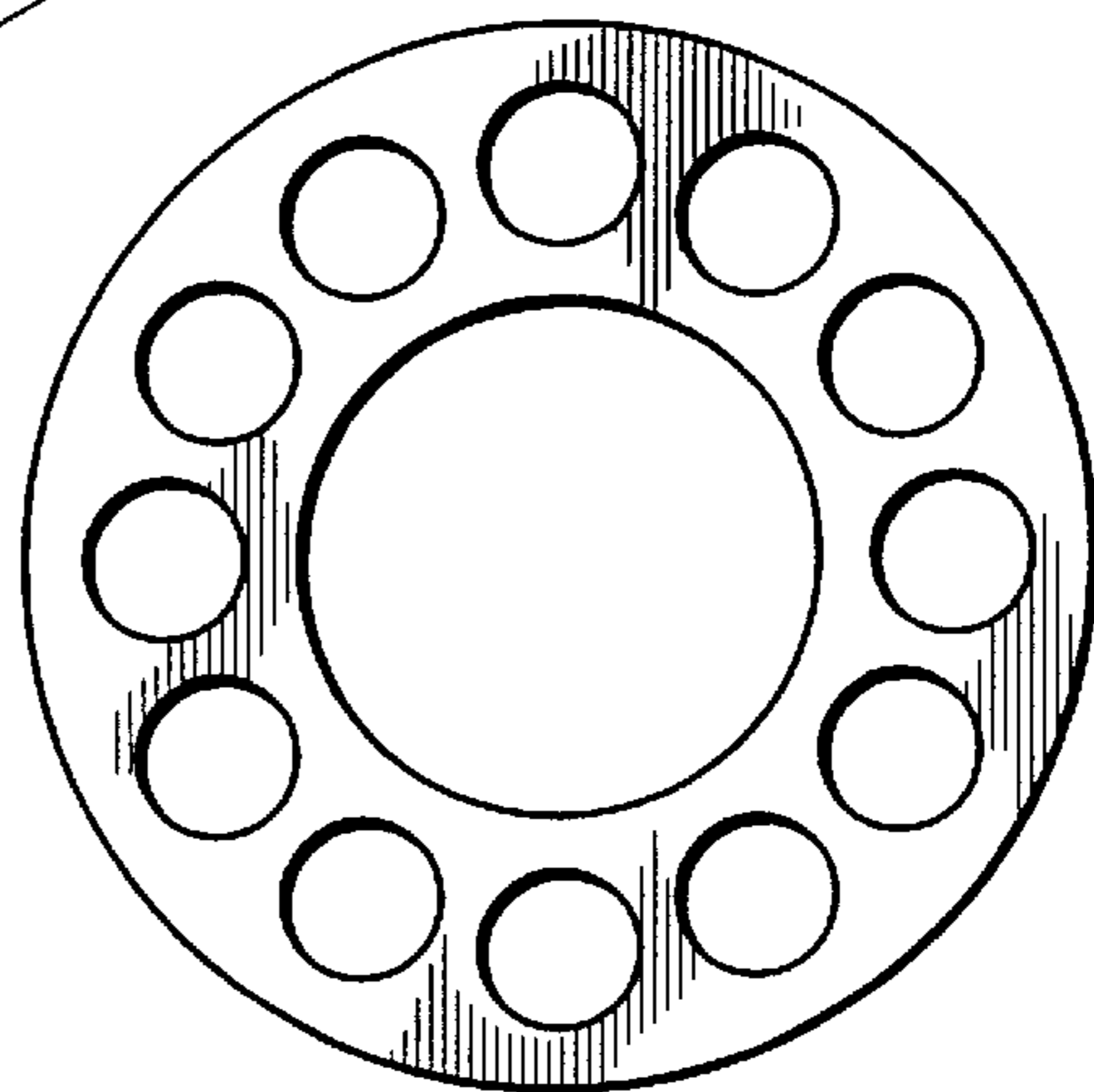


FIG. 6

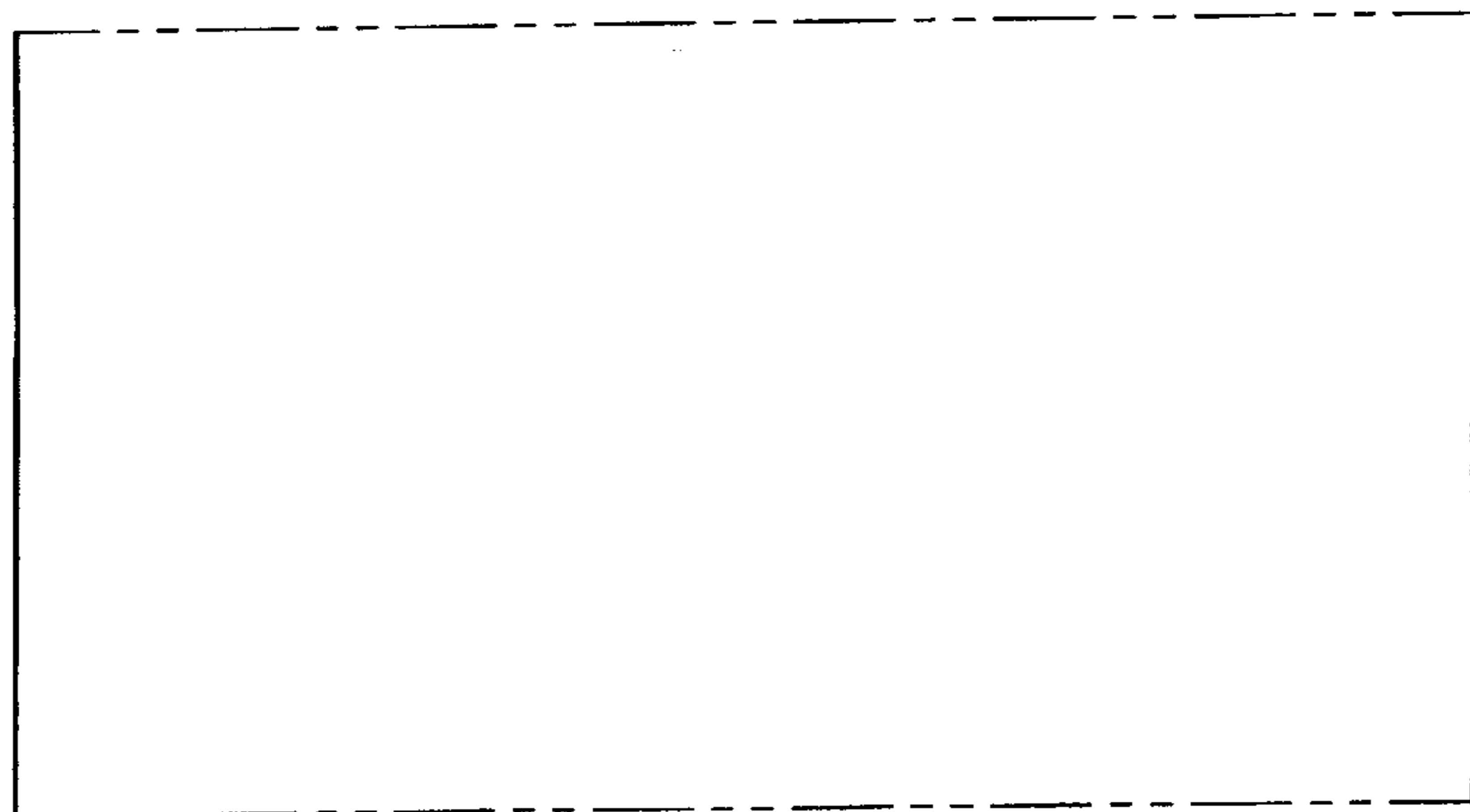


FIG. 7

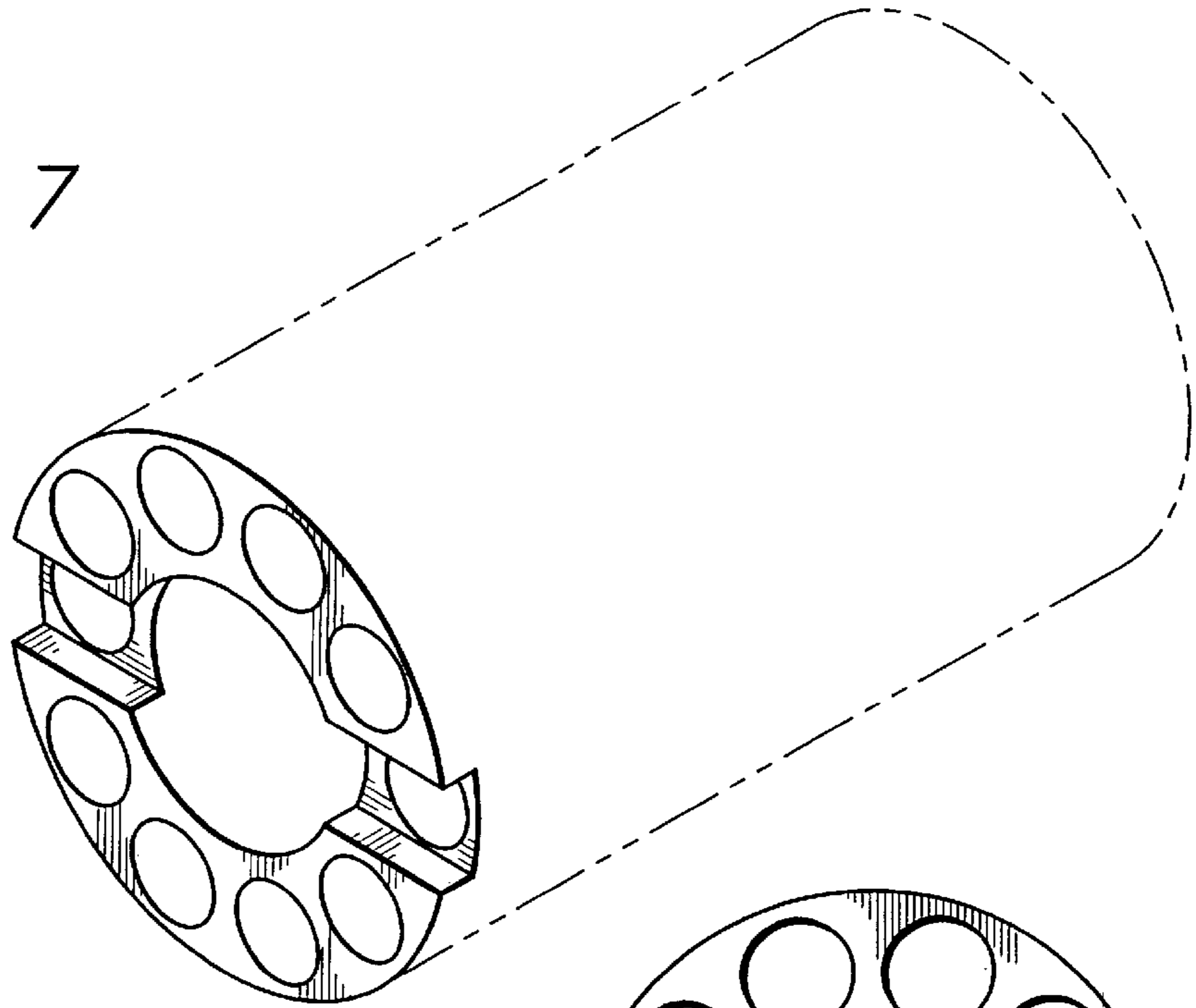


FIG. 8

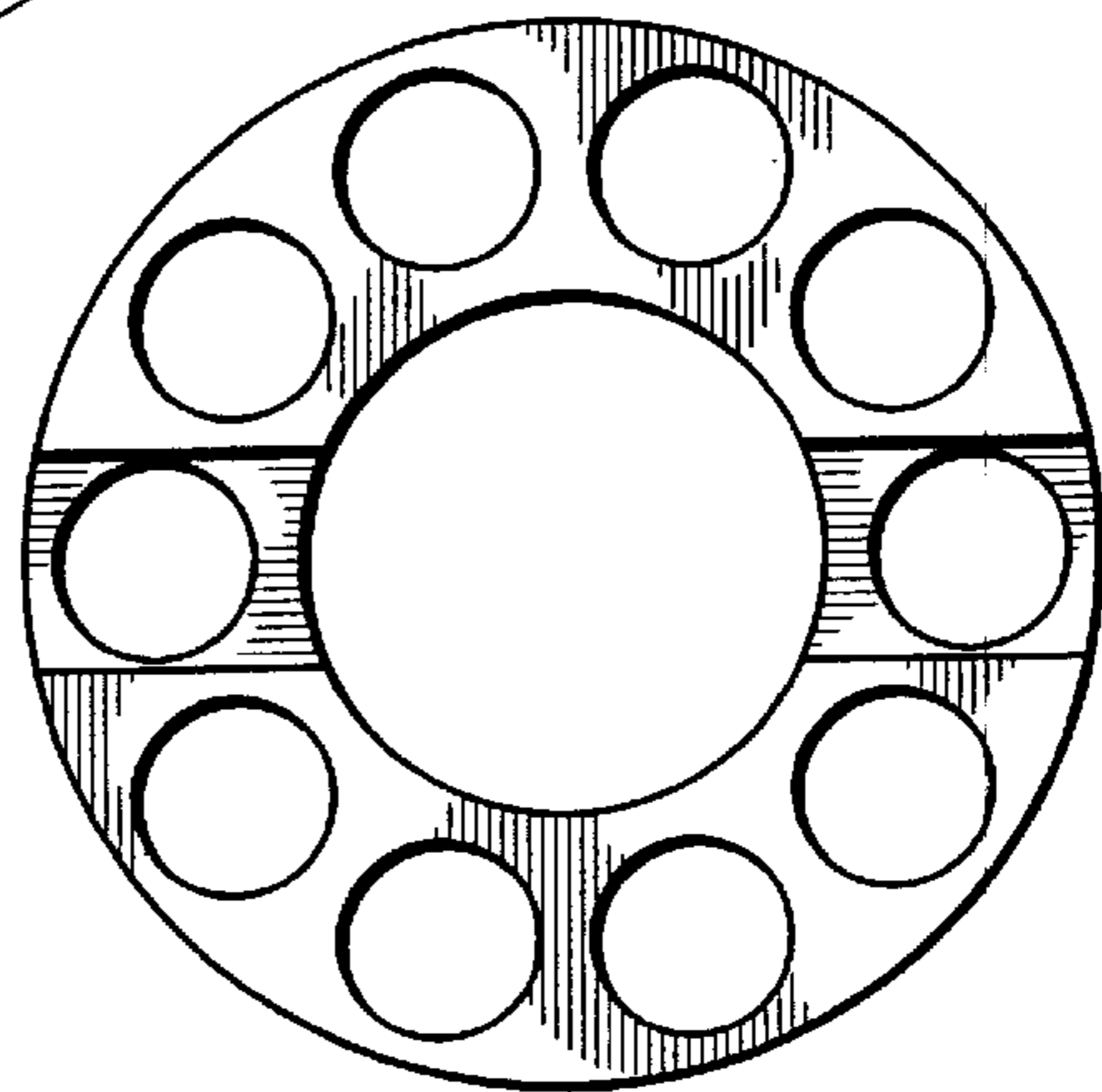


FIG. 9

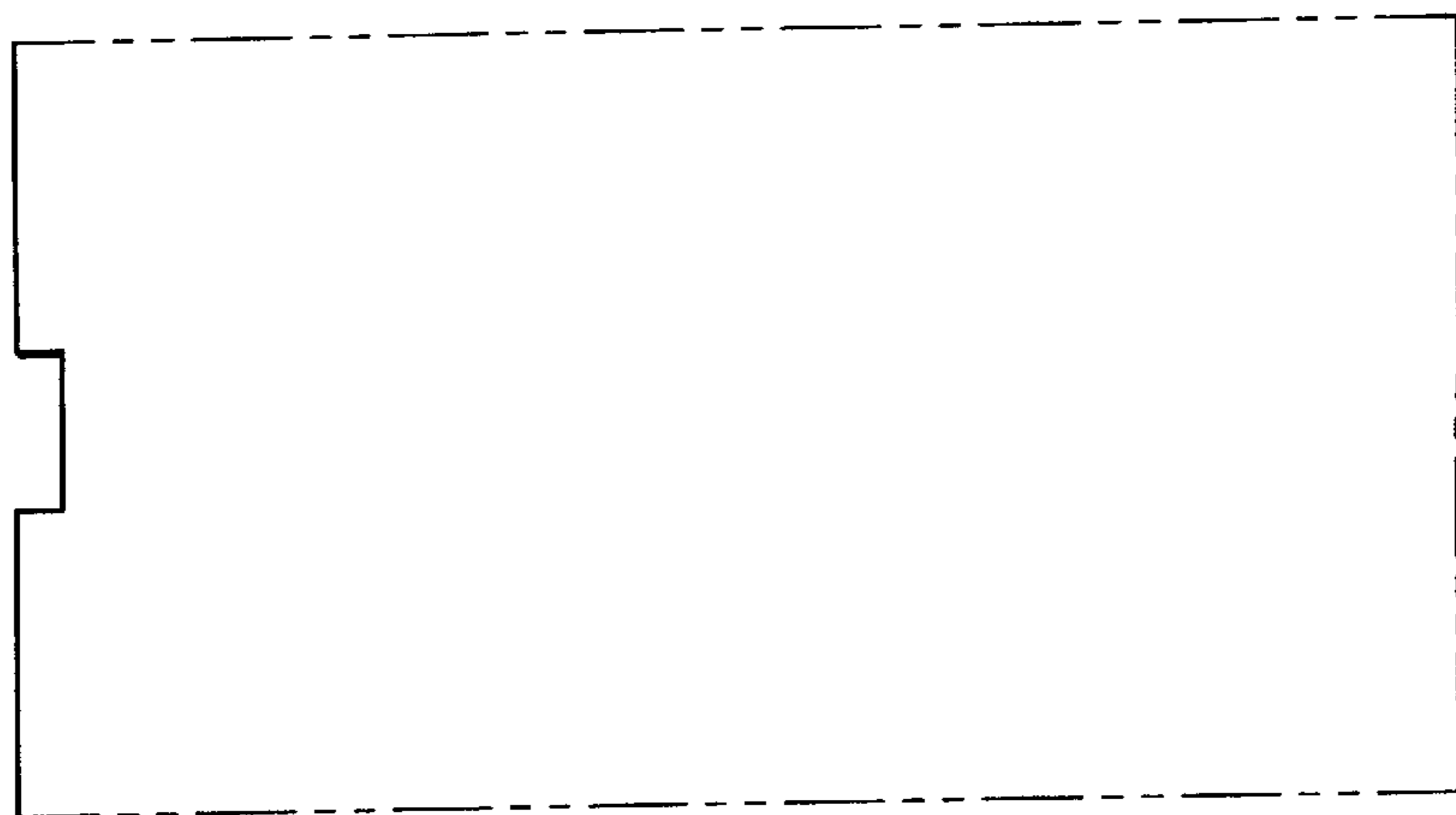


FIG. 10

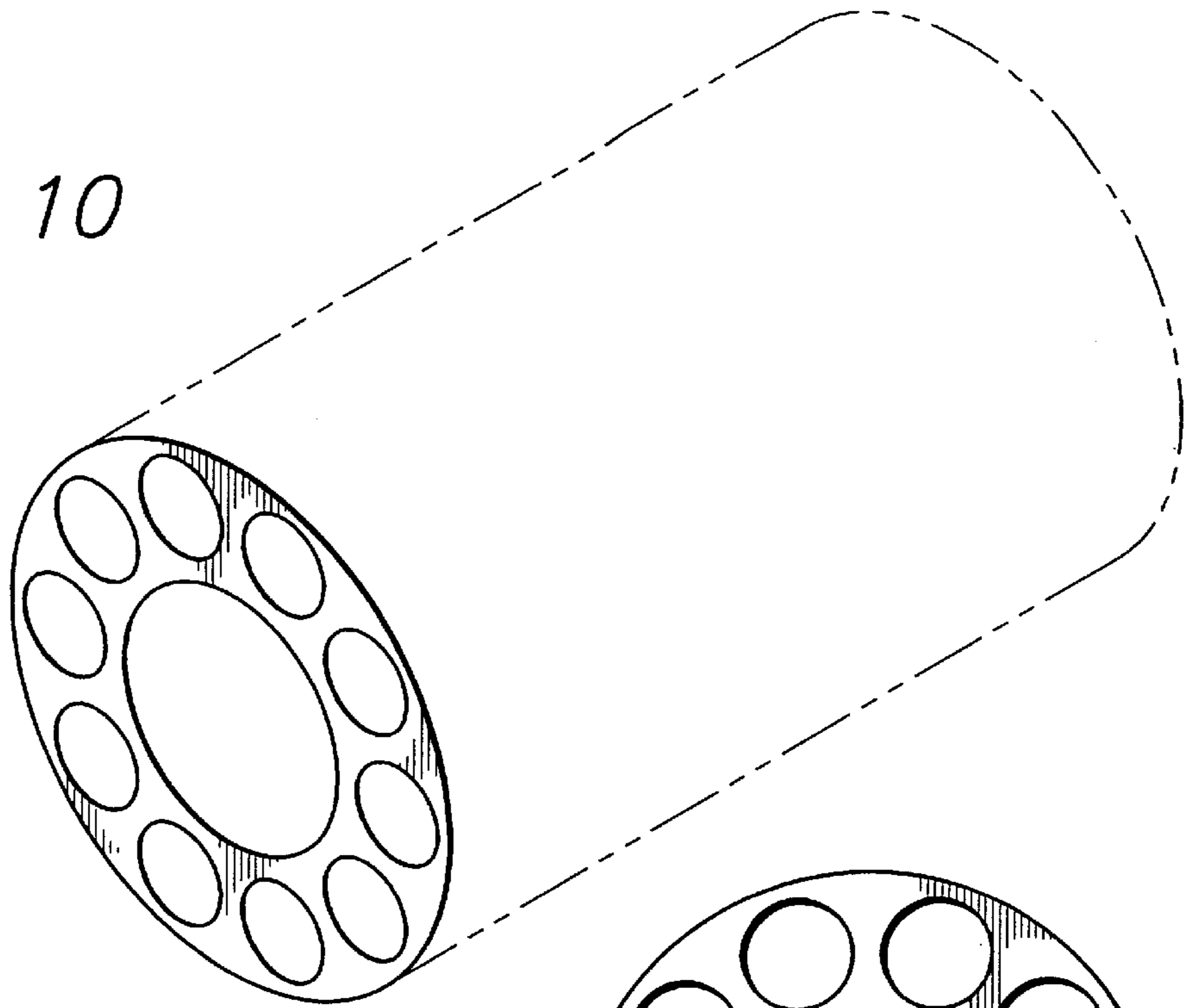


FIG. 11

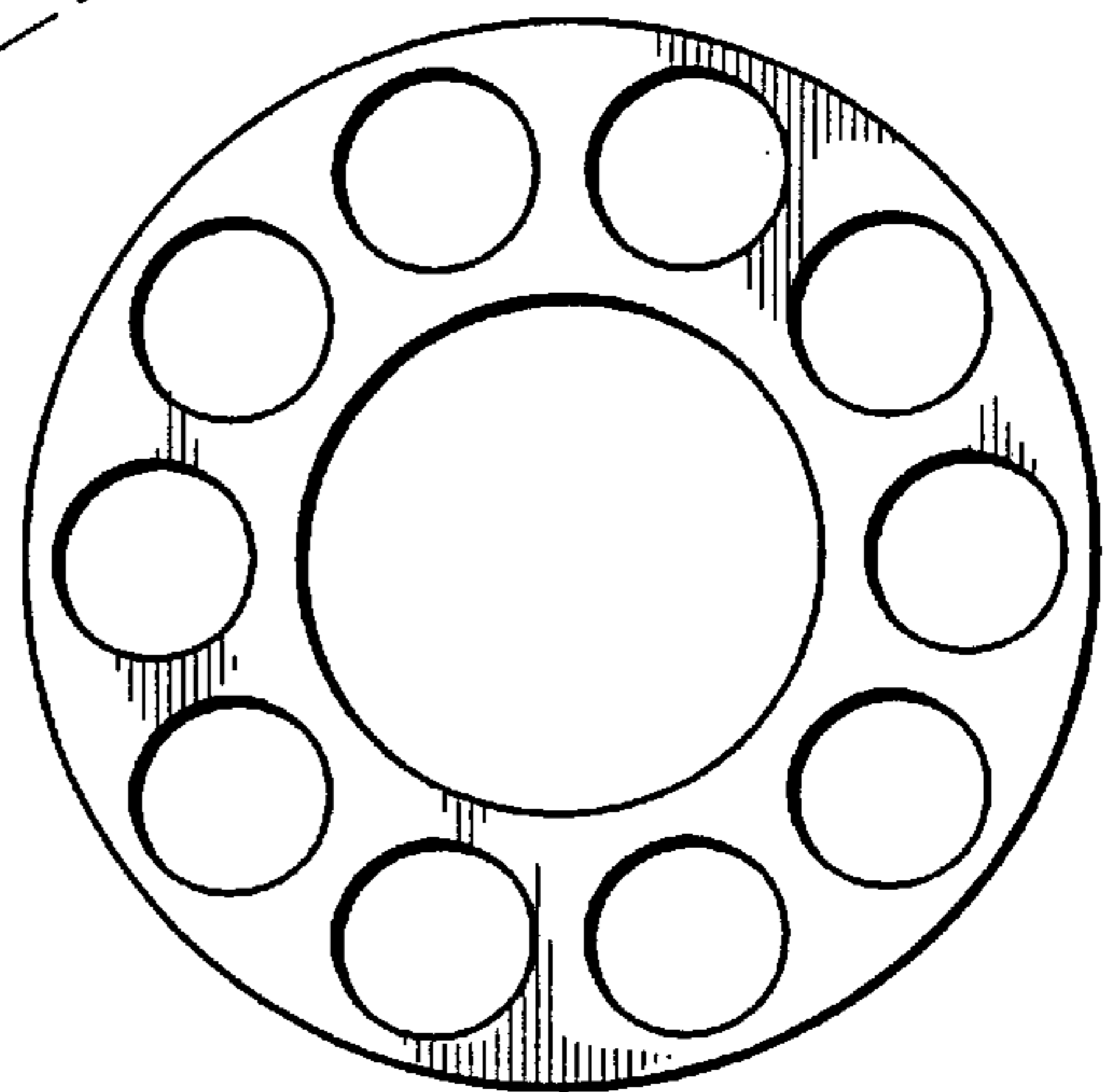


FIG. 12

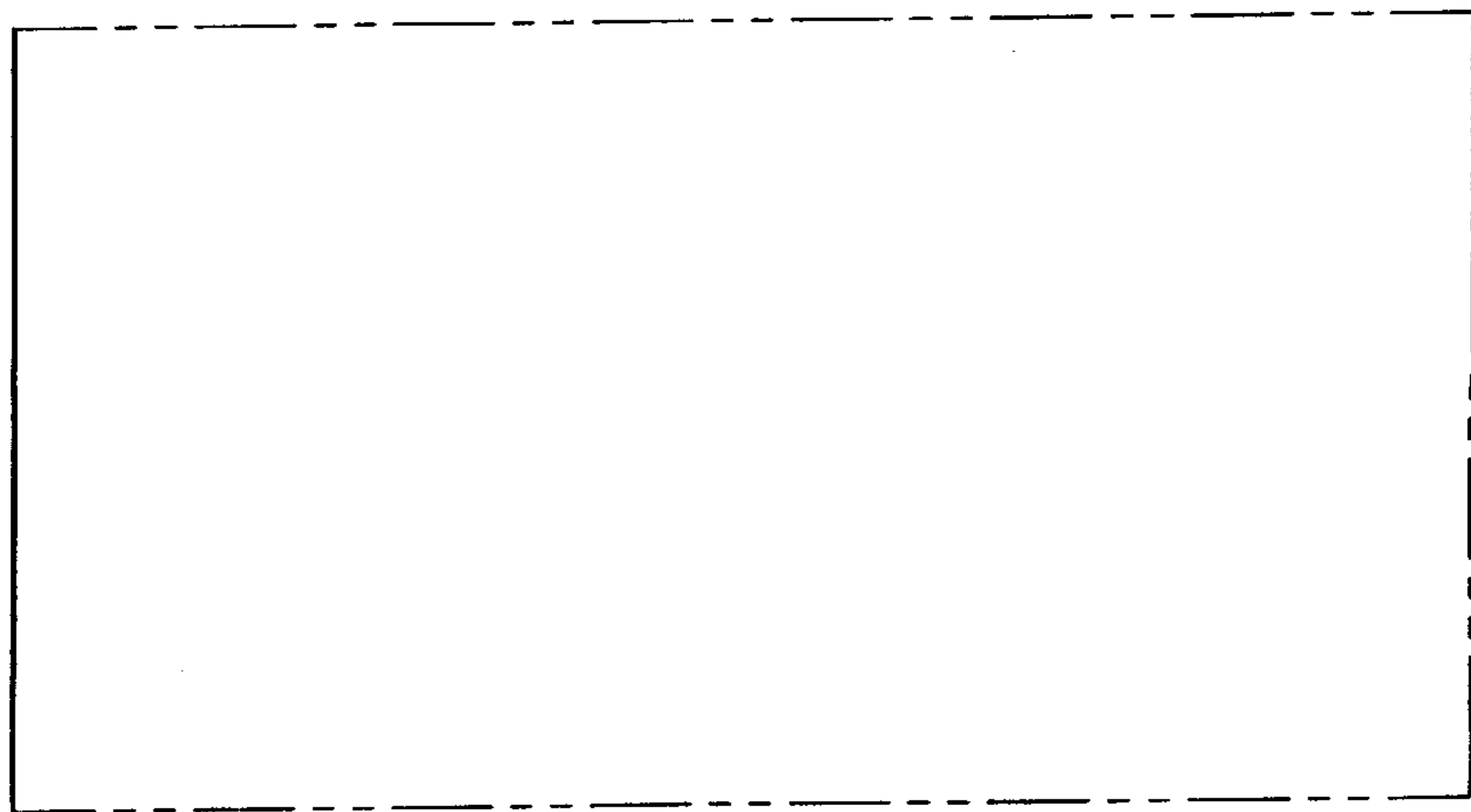


FIG. 13

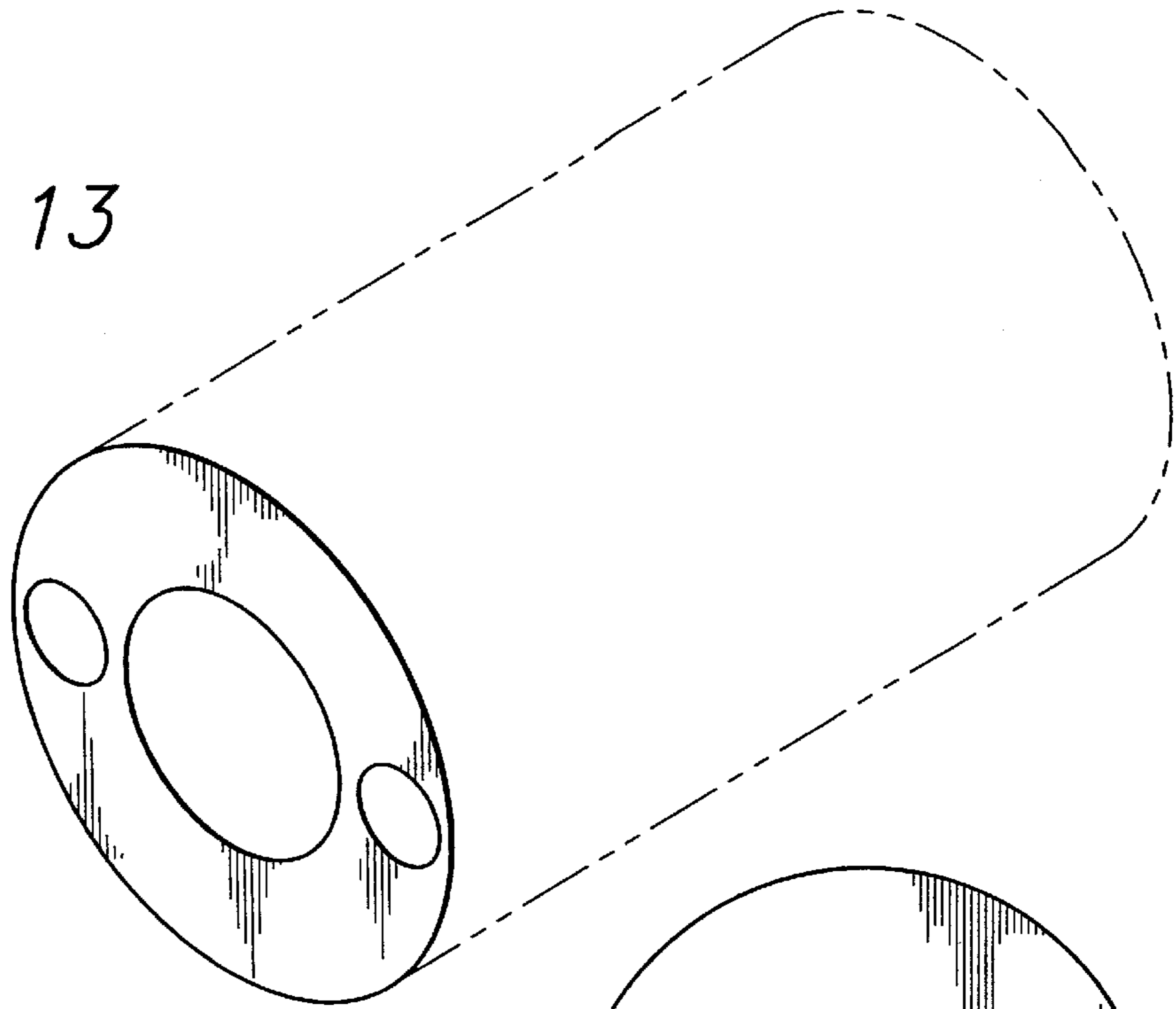


FIG. 14

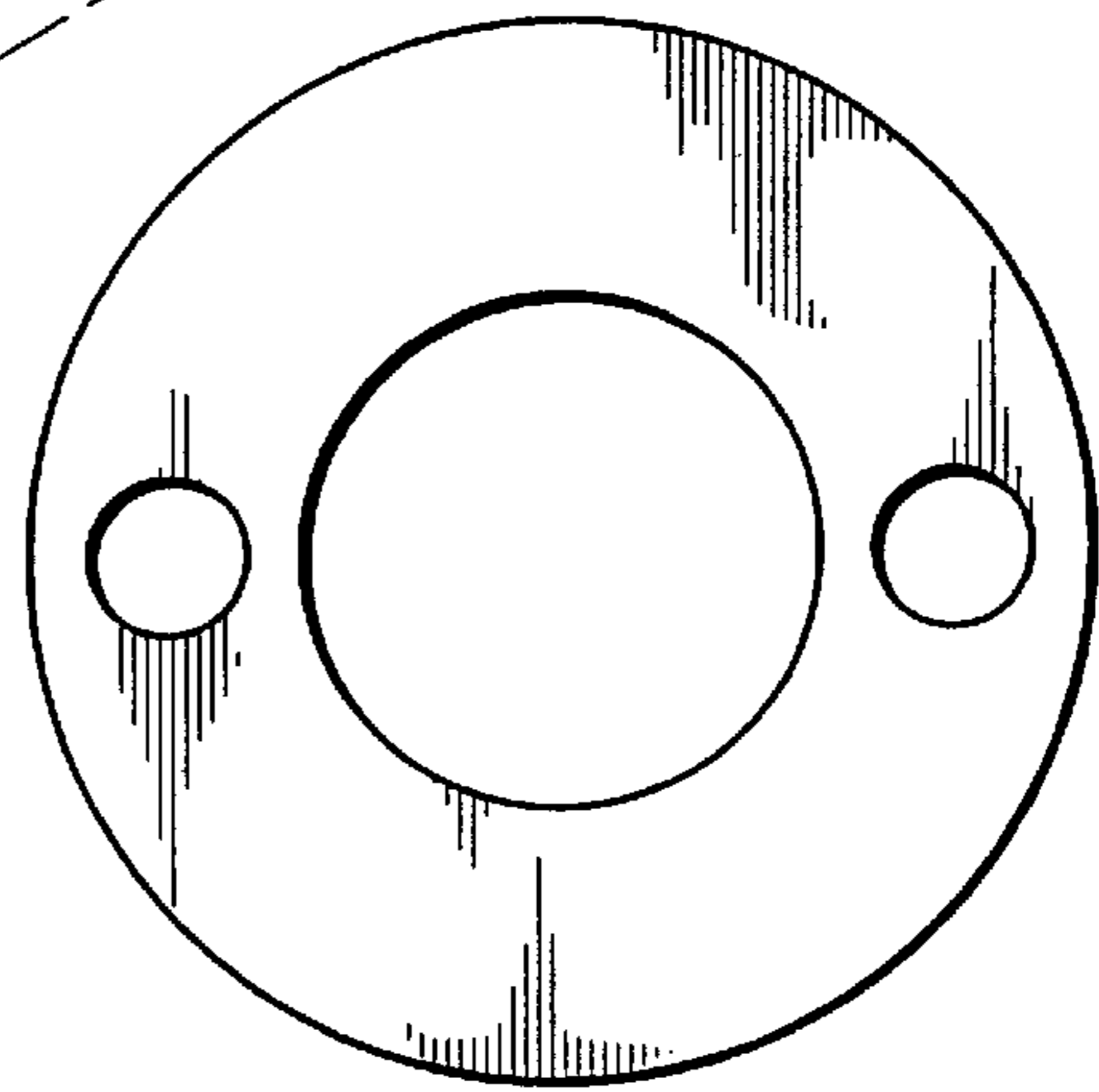


FIG. 15

