



US00D437052S

(12) **United States Design Patent**
Newsom

(10) **Patent No.:** **US D437,052 S**

(45) **Date of Patent:** **** Jan. 30, 2001**

(54) **VACUUM CONNECTOR**

(76) **Inventor:** **Cosby M. Newsom**, 15517 S. Seaforth Ave., Norwalk, CA (US) 90650

(**) **Term:** **14 Years**

(21) **Appl. No.:** **29/110,003**

(22) **Filed:** **Aug. 26, 1999**

(51) **LOC (7) Cl.** **24-01**

(52) **U.S. Cl.** **D24/129; D24/217**

(58) **Field of Search** 156/382, 285, 156/583.3; D24/231, 127, 129, 117, 217; D23/387; 100/211; 249/65; 264/102; 425/389

(56) **References Cited**

U.S. PATENT DOCUMENTS

D. 328,123	*	7/1992	Hiller	D23/231
D. 402,765	*	12/1998	Smith et al.	D24/231
4,732,415	*	3/1988	Matin et al.	285/148.28
4,842,912	*	6/1989	Hutter III	428/66.6
4,917,353	*	4/1990	Riley	428/66.6
4,920,629	*	5/1990	Perdue et al.	29/428
4,997,511	*	3/1991	Newsom	156/382
5,046,762	*	9/1991	Konishi	285/38
5,882,471	*	3/1999	Chandler et al.	156/394.1
5,968,445	*	10/1999	McCarville et al.	264/571

* cited by examiner

Primary Examiner—Ruth McInroy

(74) *Attorney, Agent, or Firm*—Cislo & Thomas LLP

(57) **CLAIM**

The ornamental design for a vacuum connector, as shown and described.

DESCRIPTION

FIG. 1 is a perspective view of a vacuum connector showing my new design;

FIG. 2 is a right side elevational view thereof;

FIG. 3 is a top plan view thereof;

FIG. 4 is a left side elevational view thereof;

FIG. 5 is a bottom plan view thereof;

FIG. 6 is a perspective view of a second embodiment thereof;

FIG. 7 is a right side elevational view of FIG. 6, the left side being a mirror image;

FIG. 8 is a bottom plan view of FIG. 6;

FIG. 9 is a top plan view of FIG. 6;

FIG. 10 is a perspective view of a third embodiment thereof;

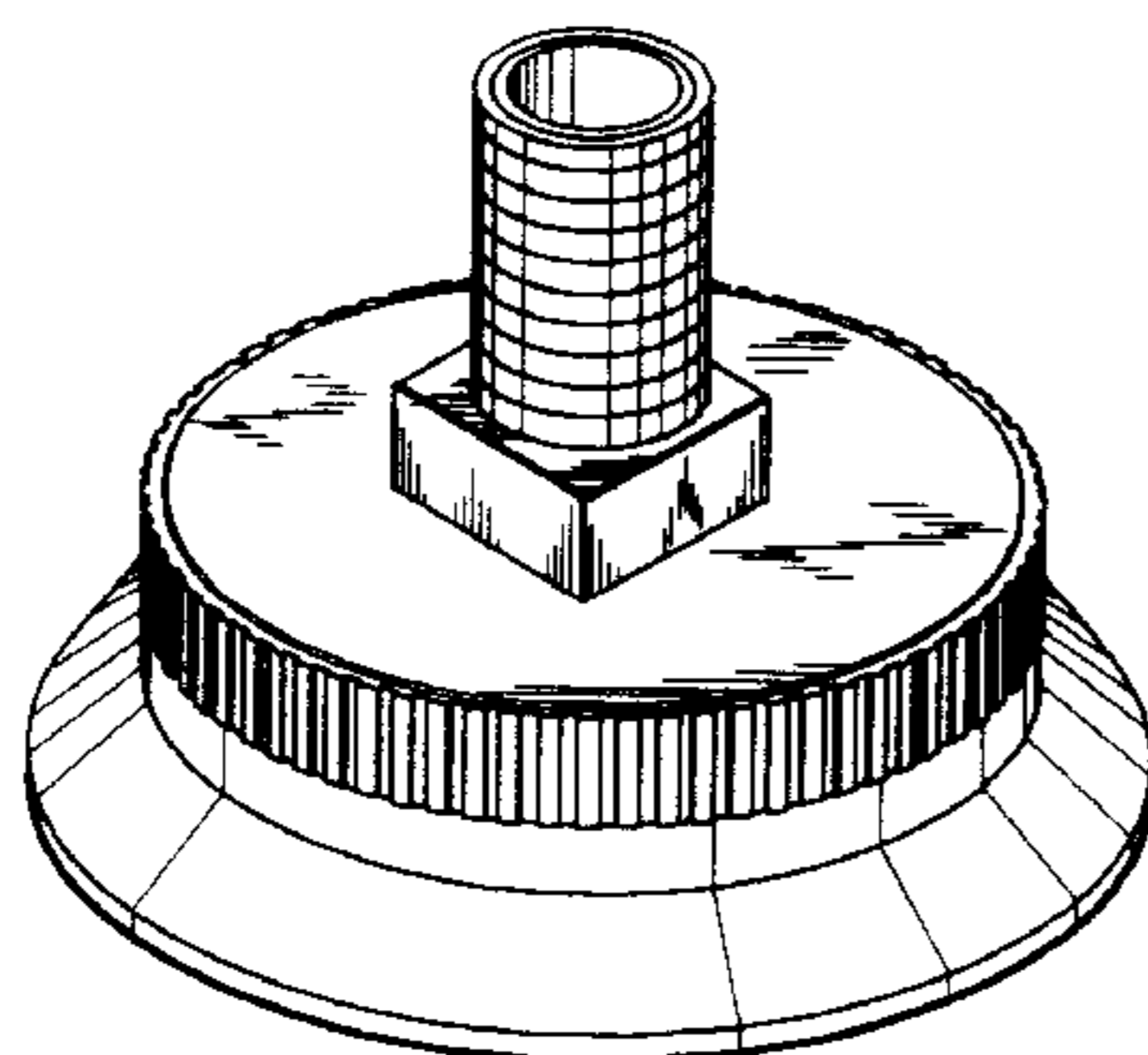
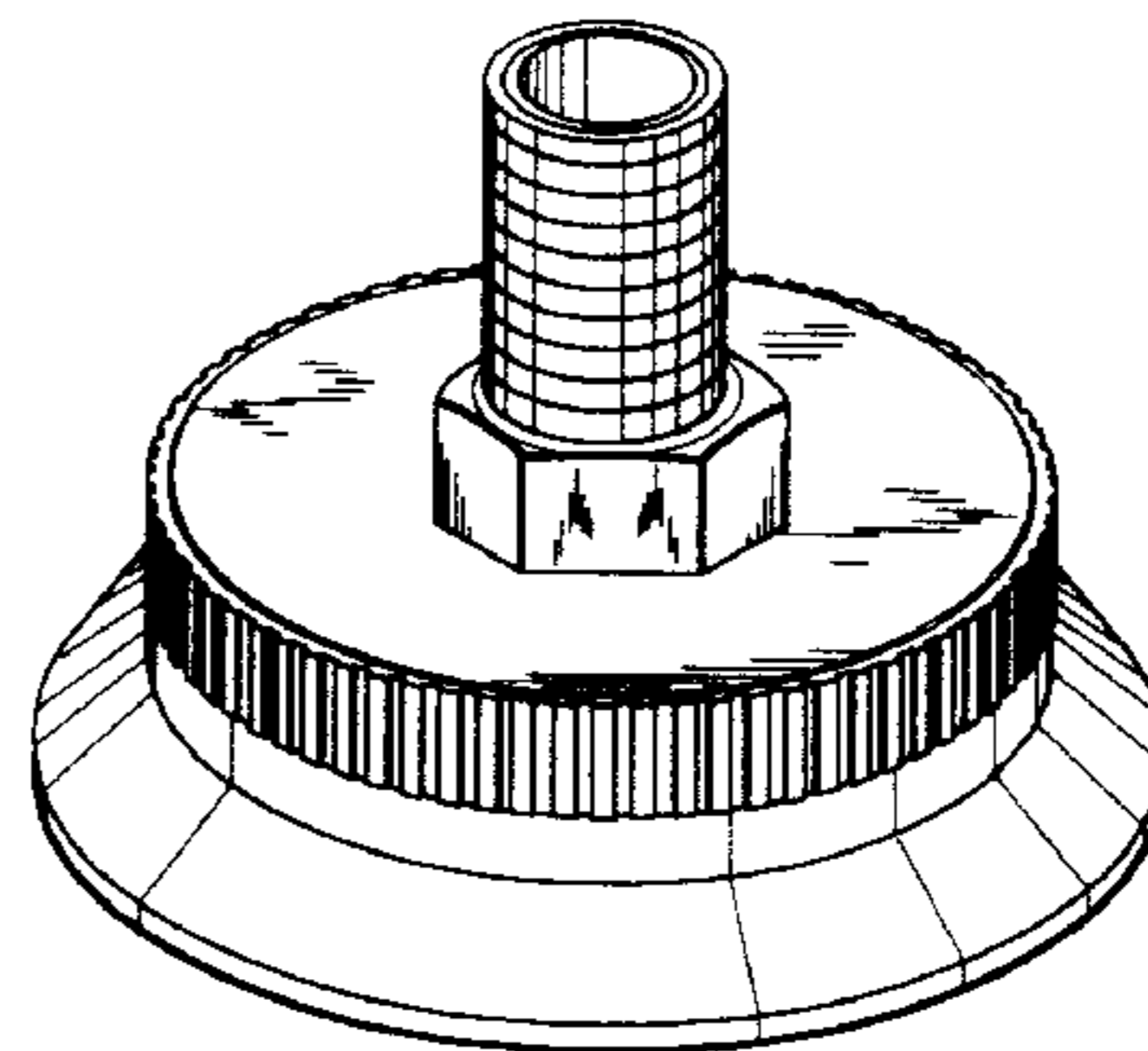
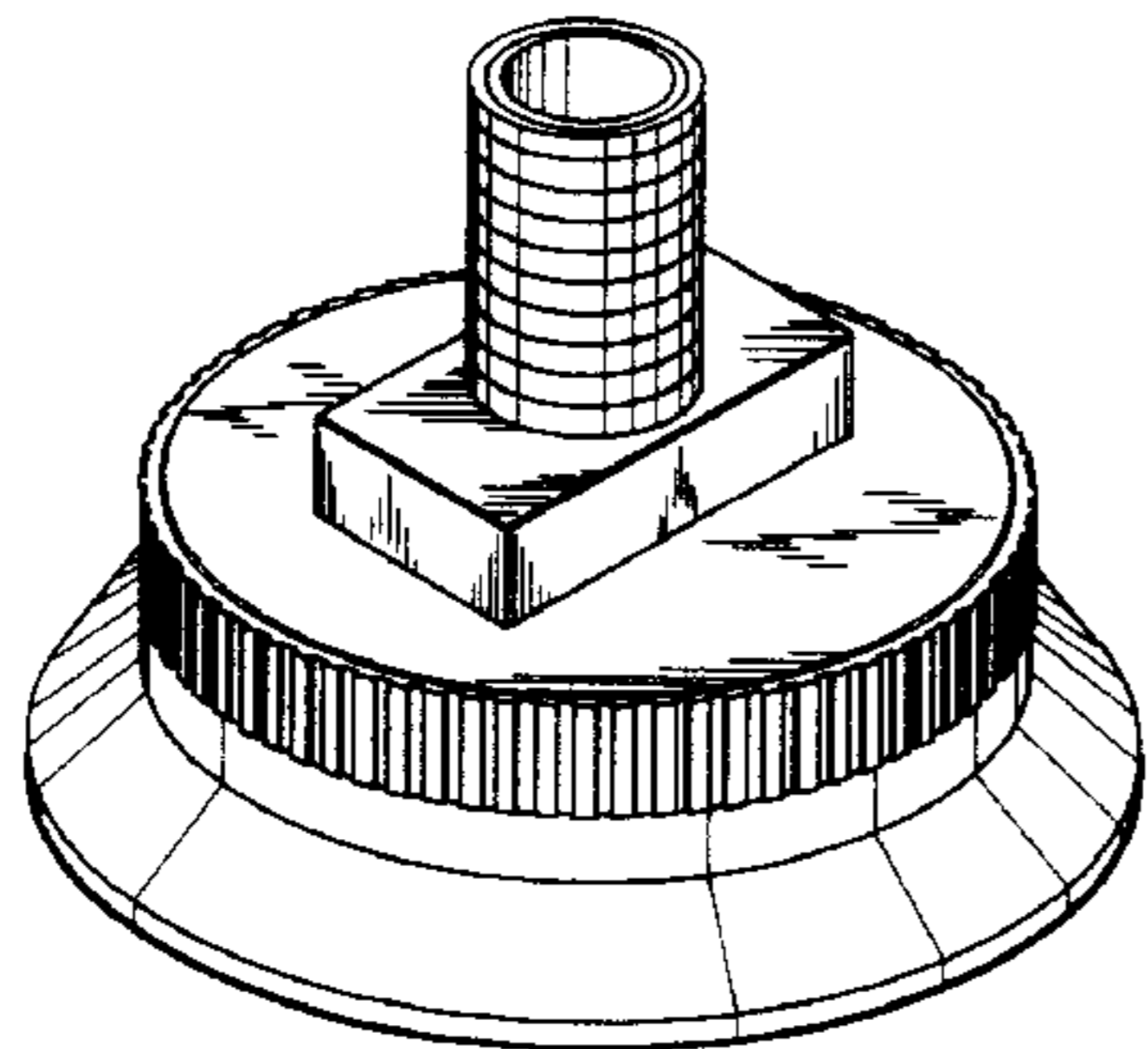
FIG. 11 is a right side elevational view of FIG. 10;

FIG. 12 is a top plan view of FIG. 10;

FIG. 13 is a bottom plan view of FIG. 10; and,

FIG. 14 is a left side elevational view of FIG. 10.

1 Claim, 3 Drawing Sheets



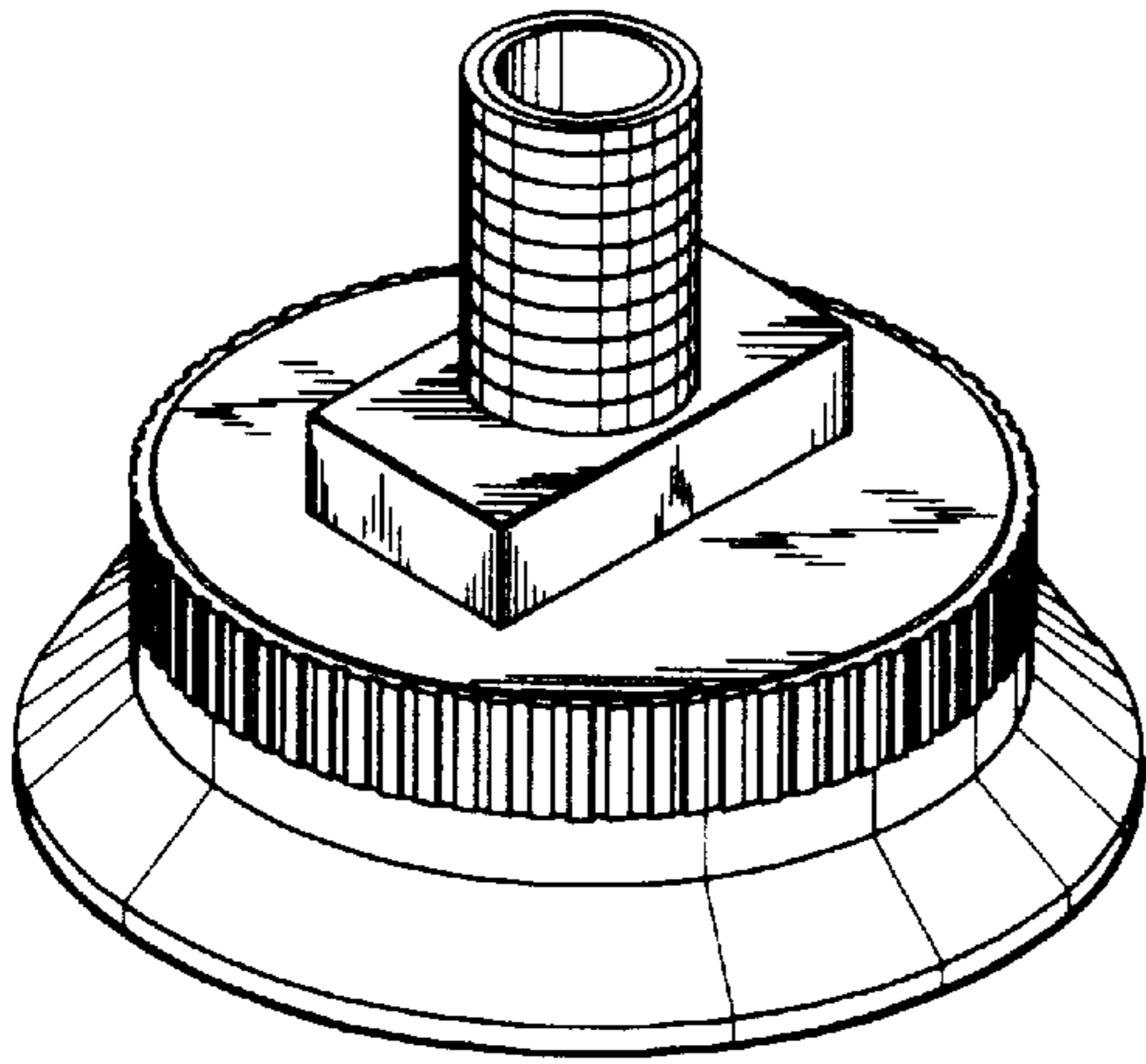


Fig. 1.

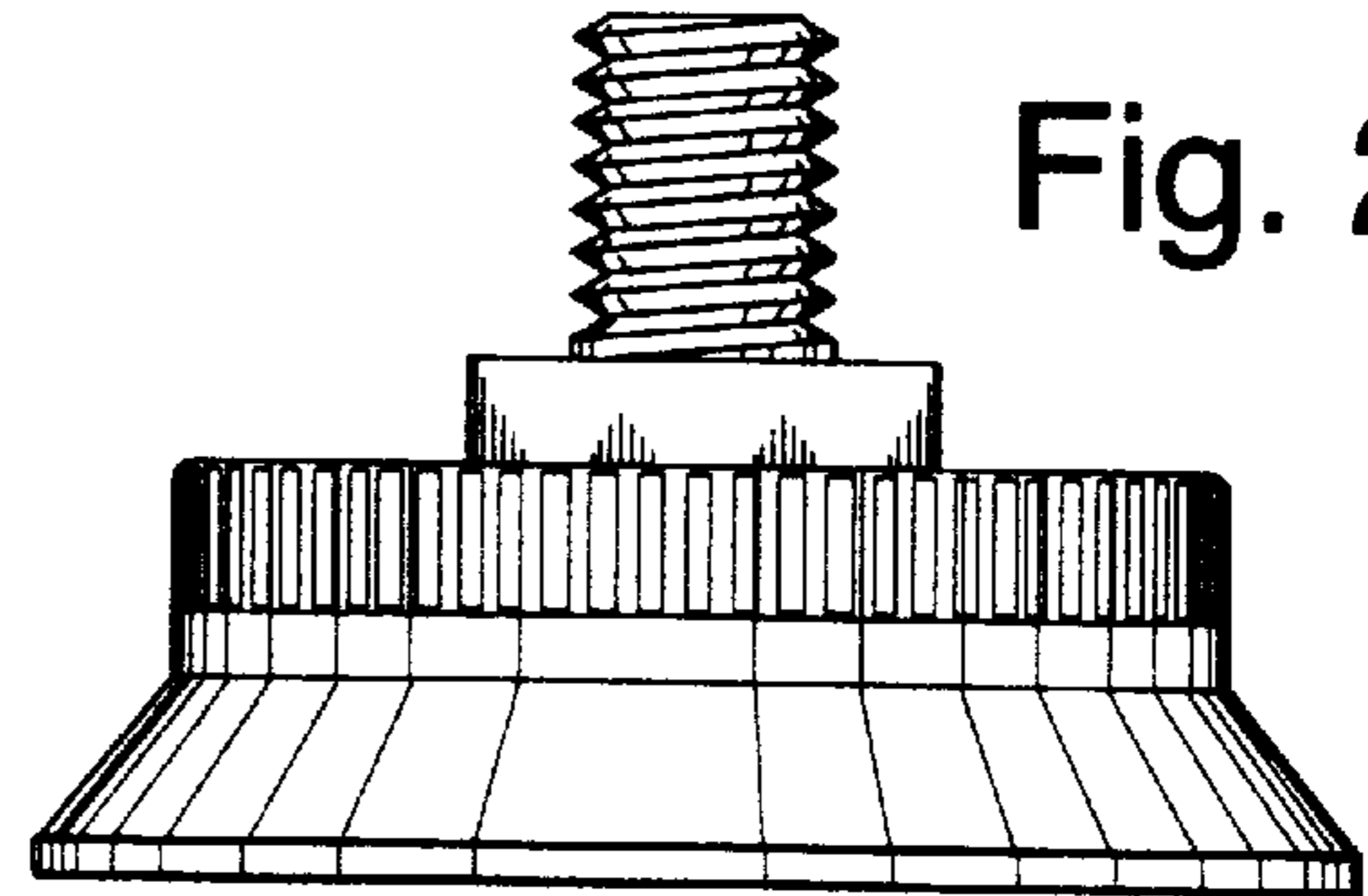


Fig. 2.

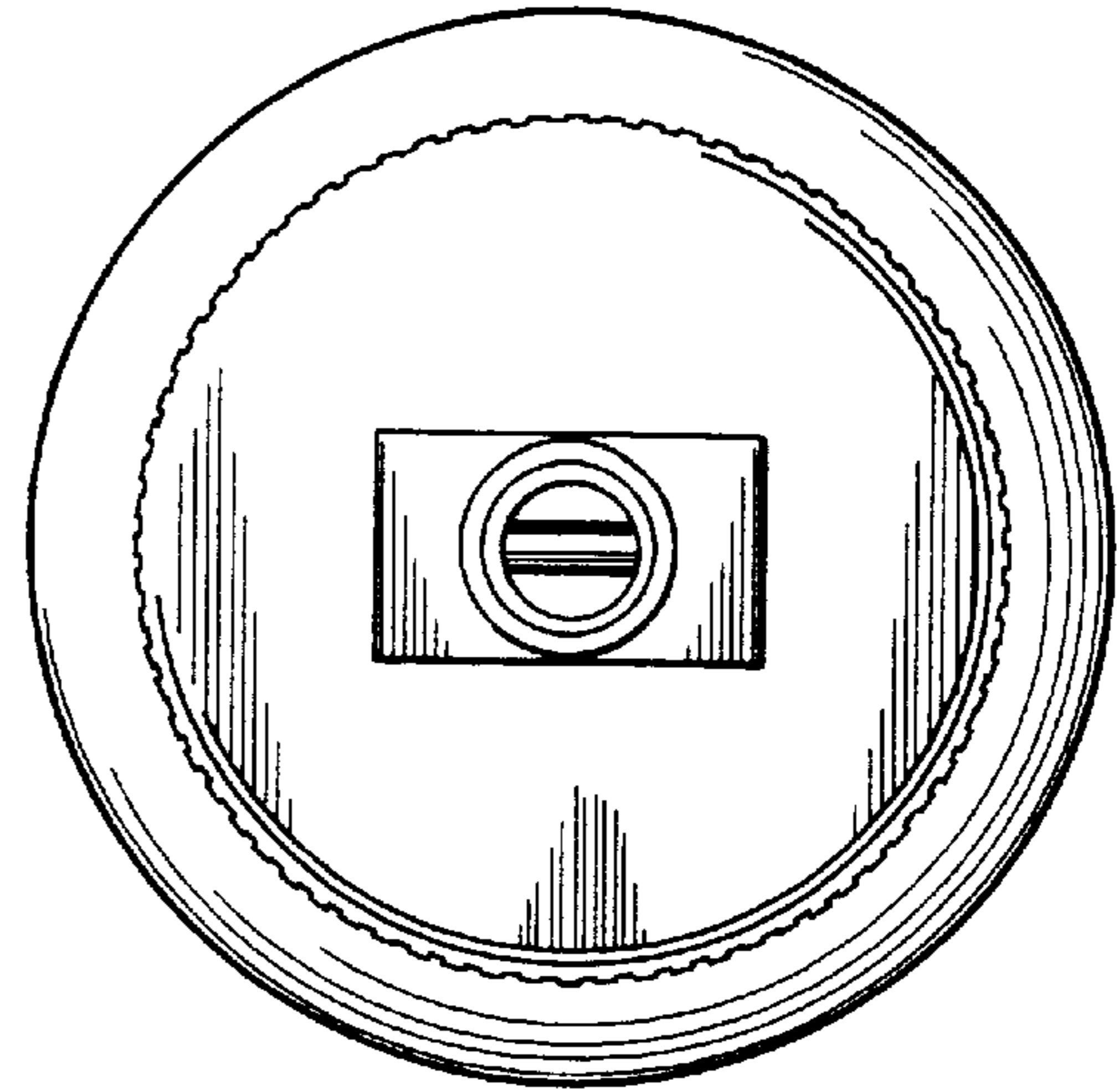


Fig. 3.

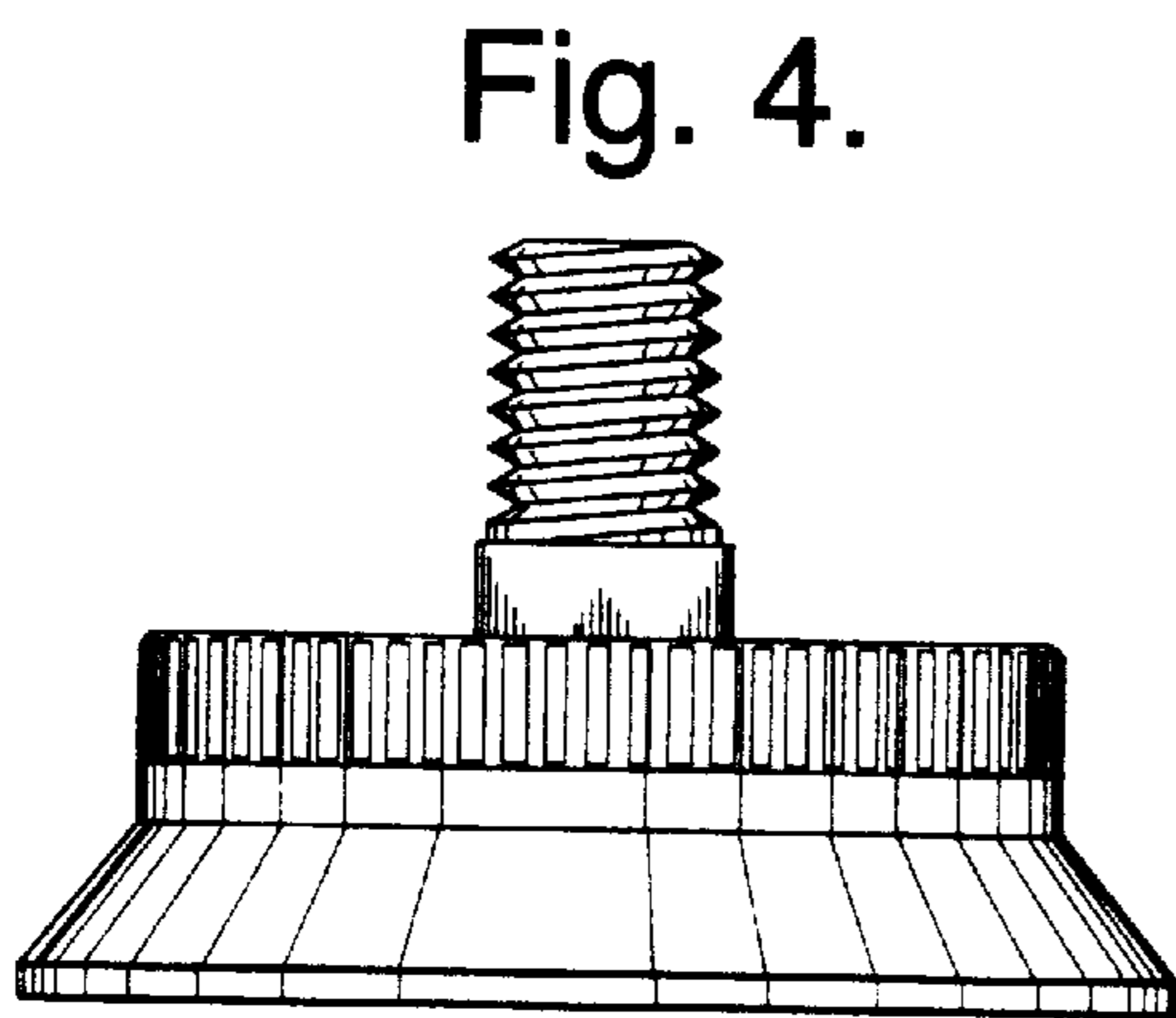
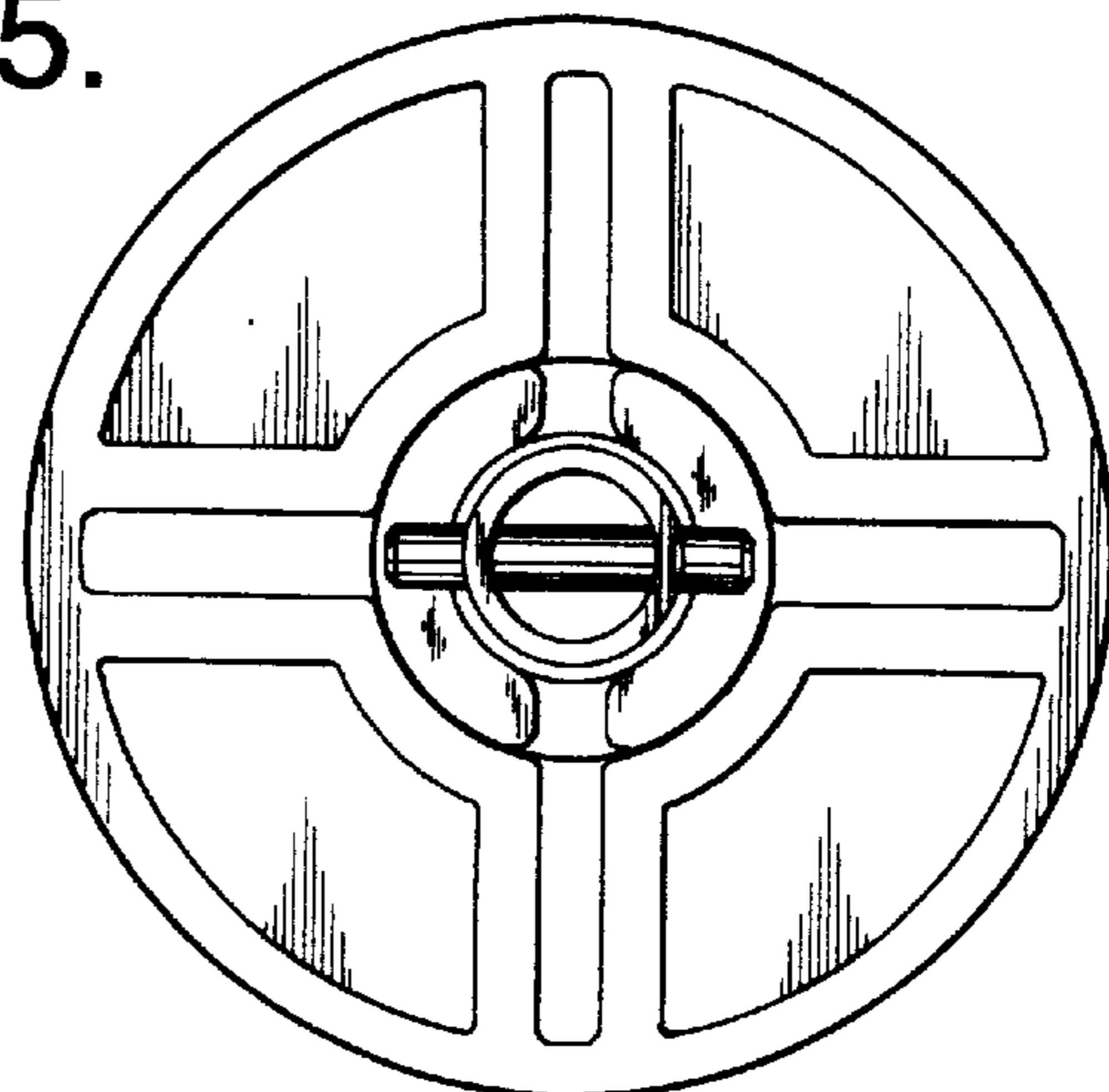


Fig. 4.

Fig. 5.



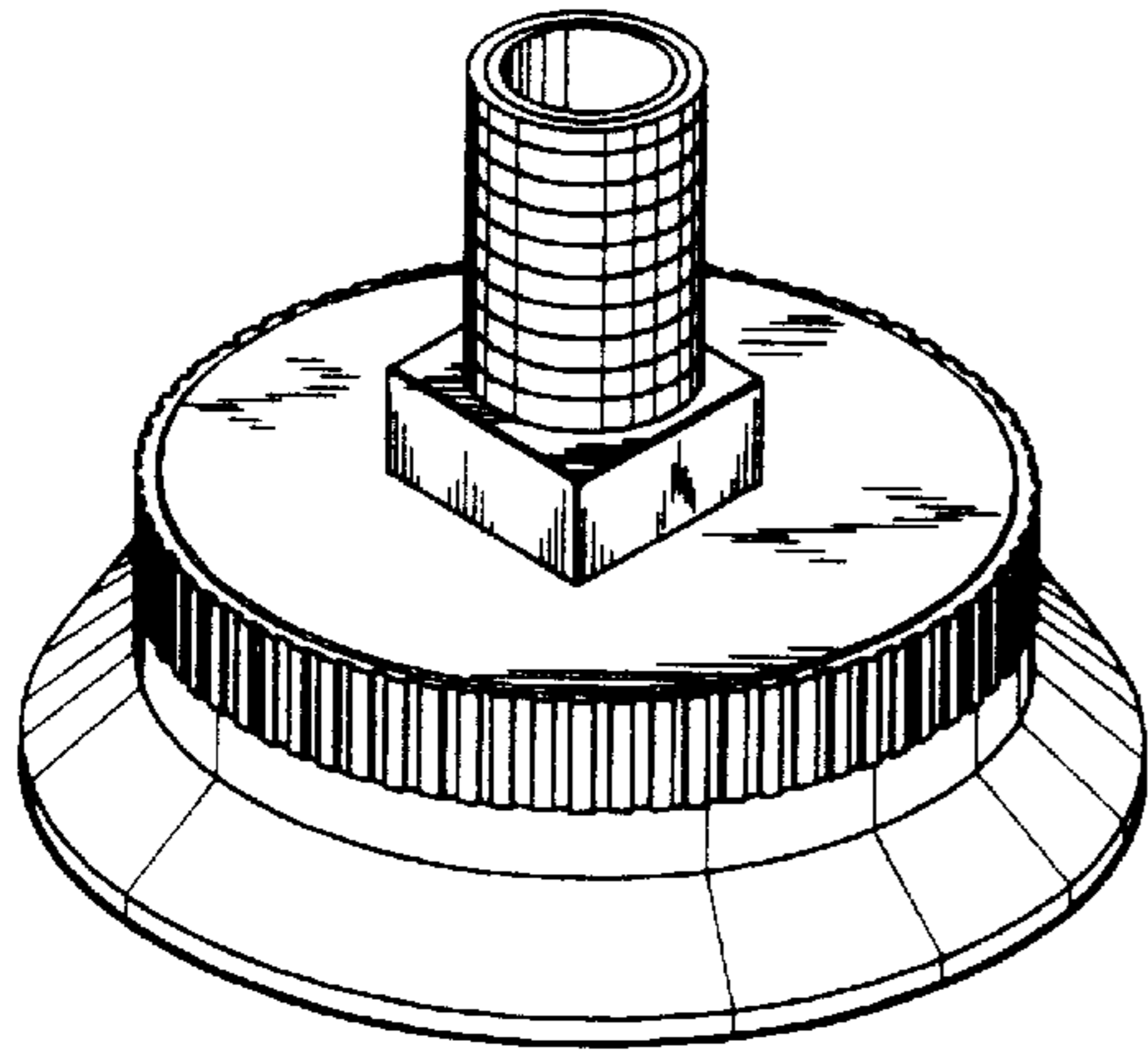


Fig. 6.

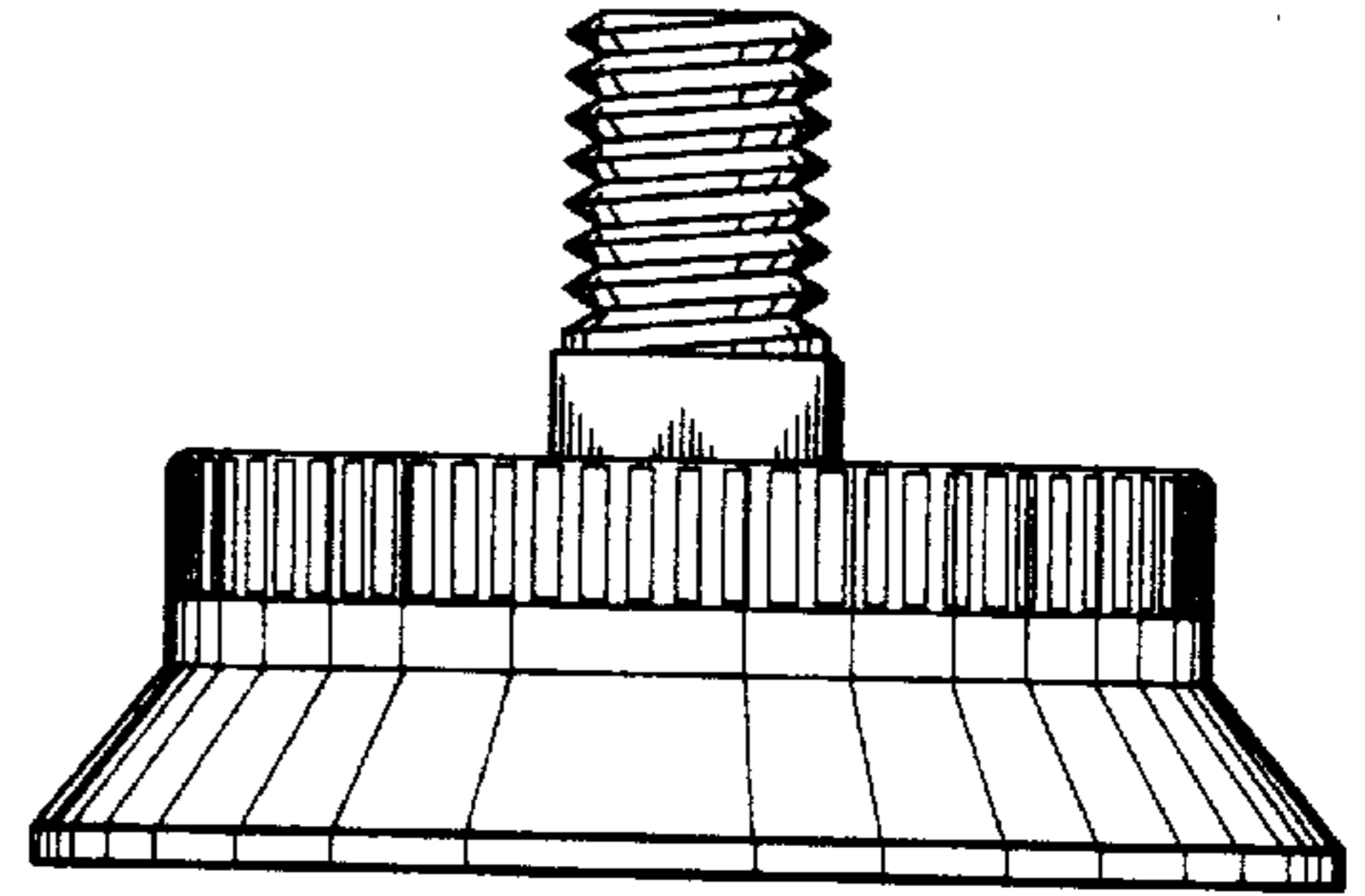


Fig. 7.

Fig. 8.

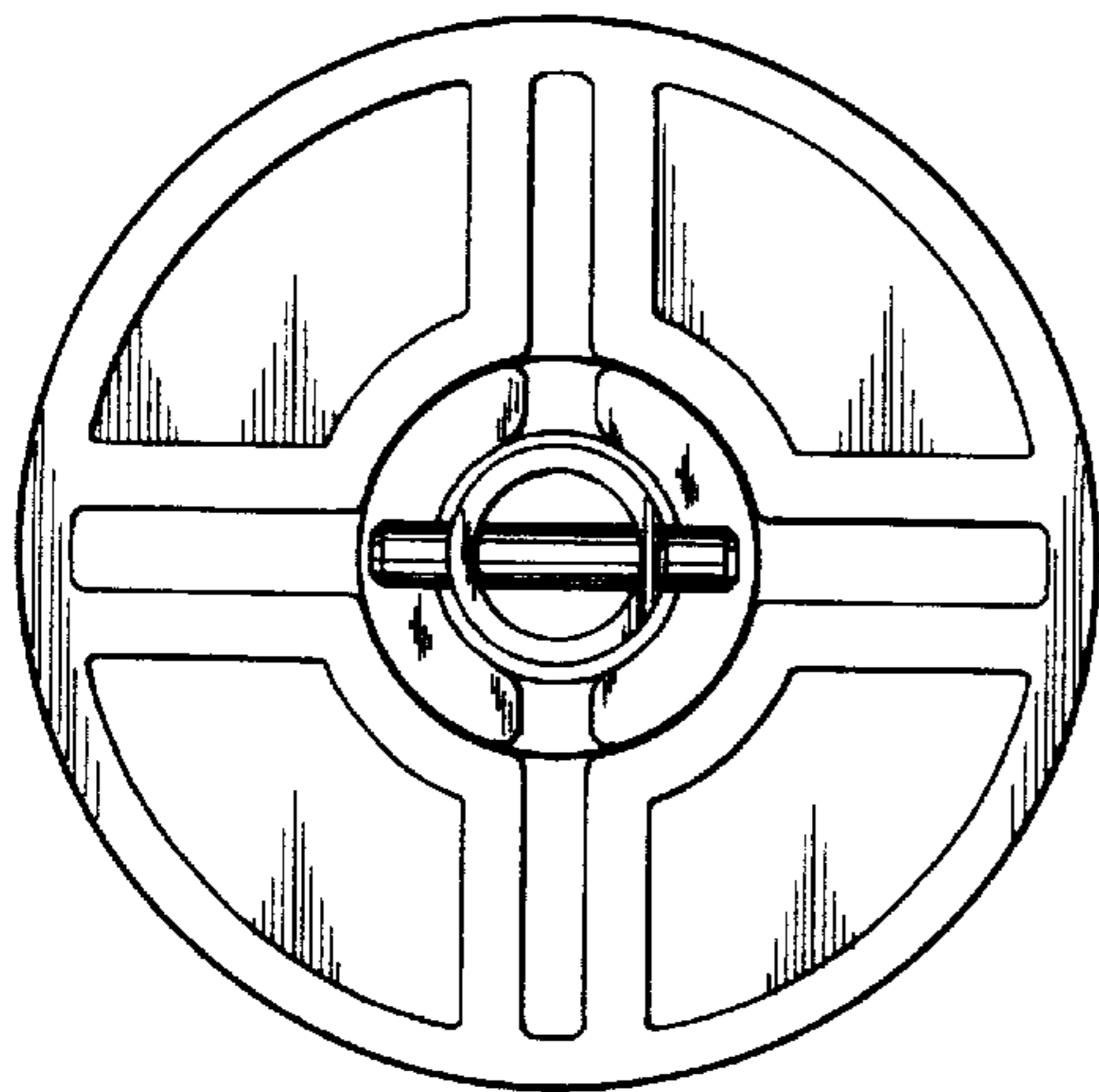
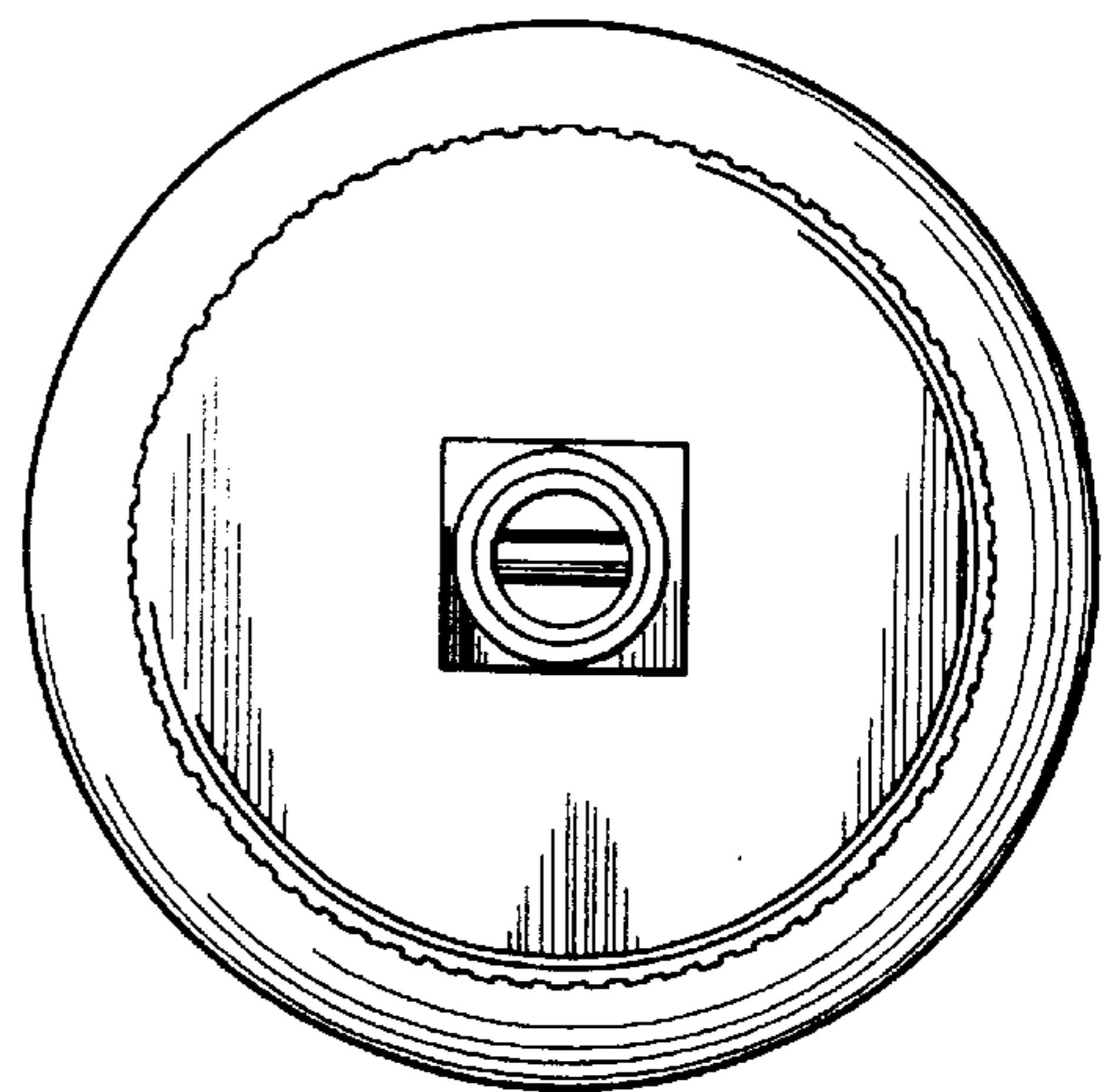


Fig. 9.



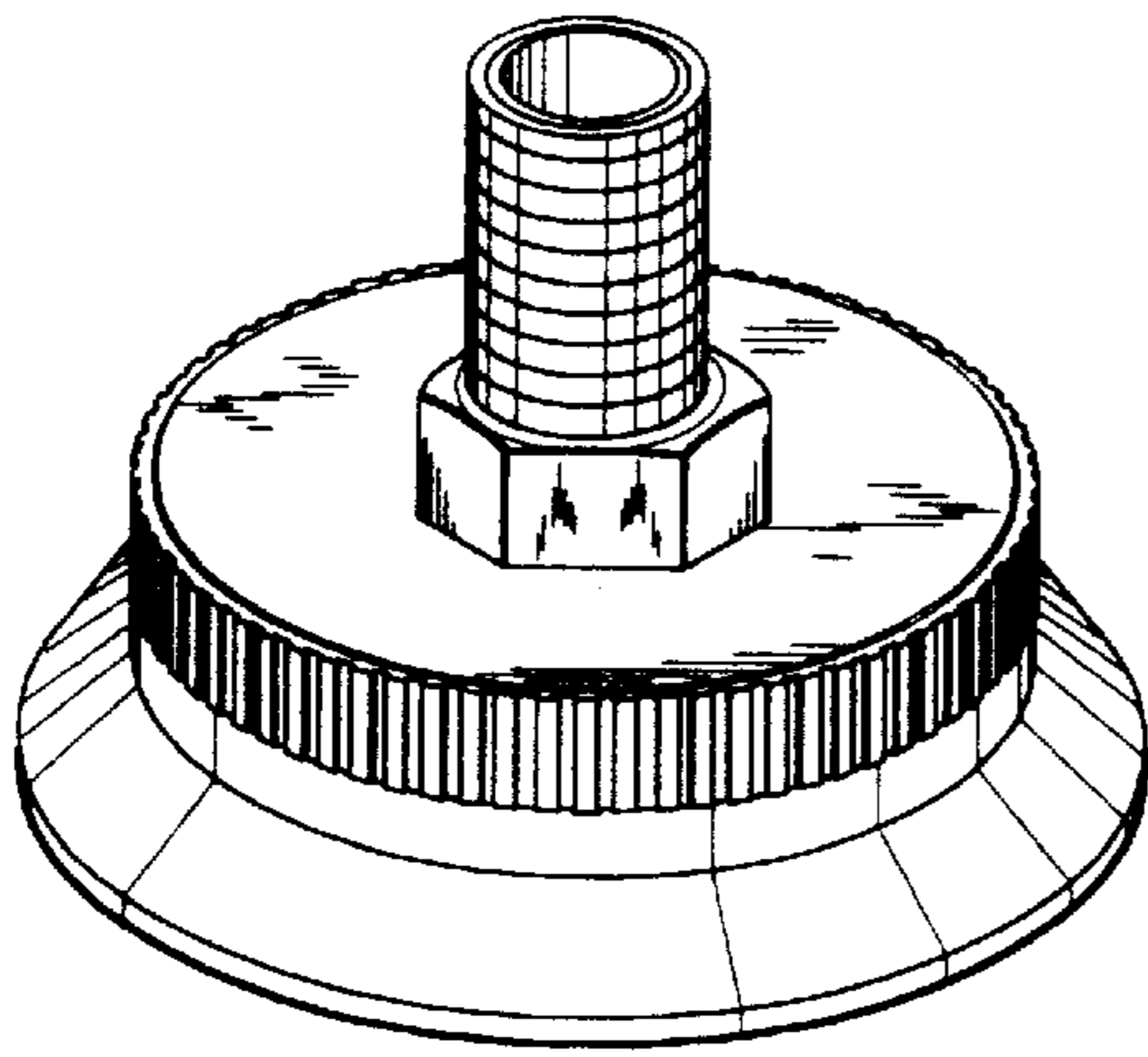


Fig. 10.

Fig. 11.

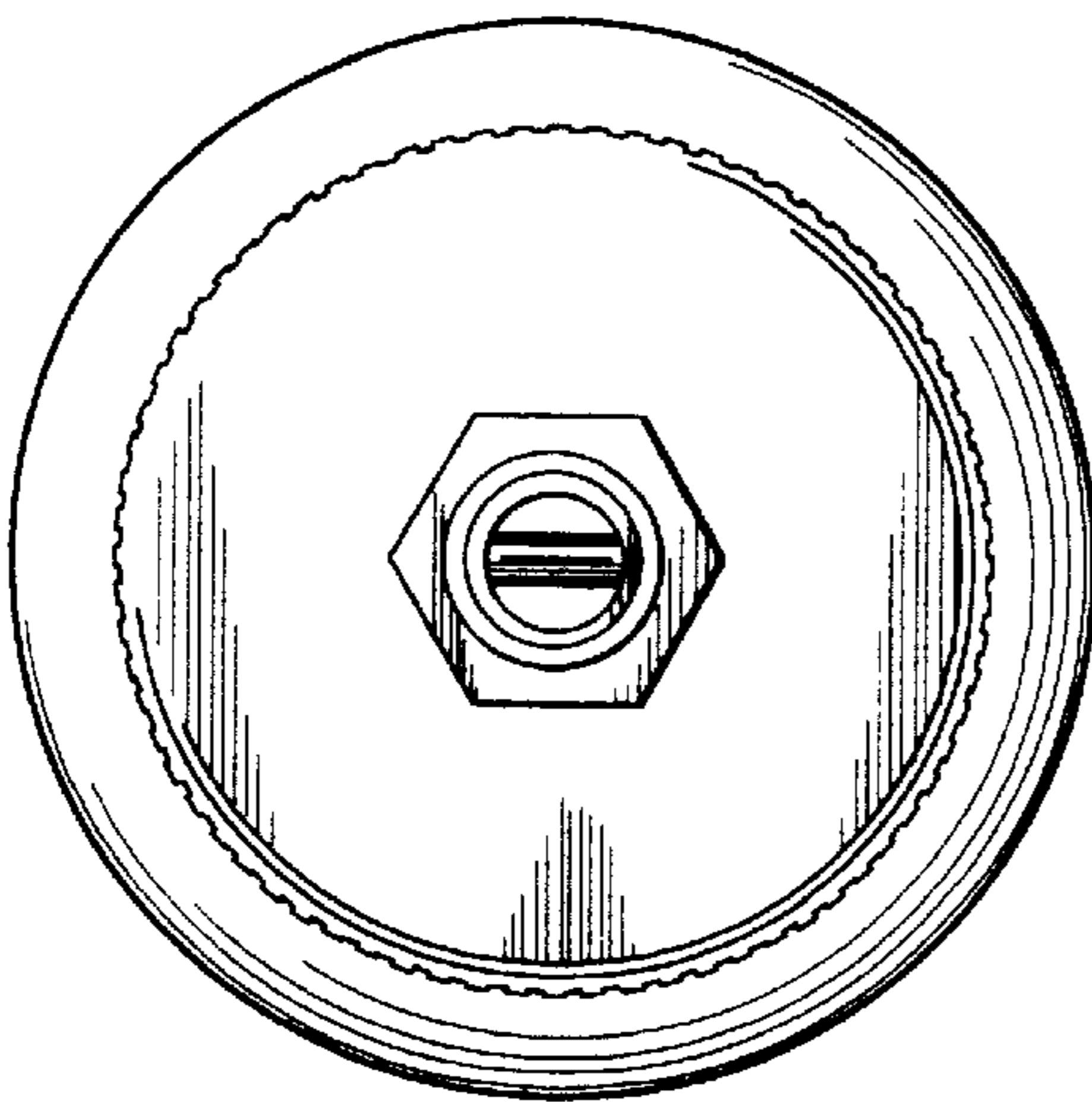


Fig. 12.

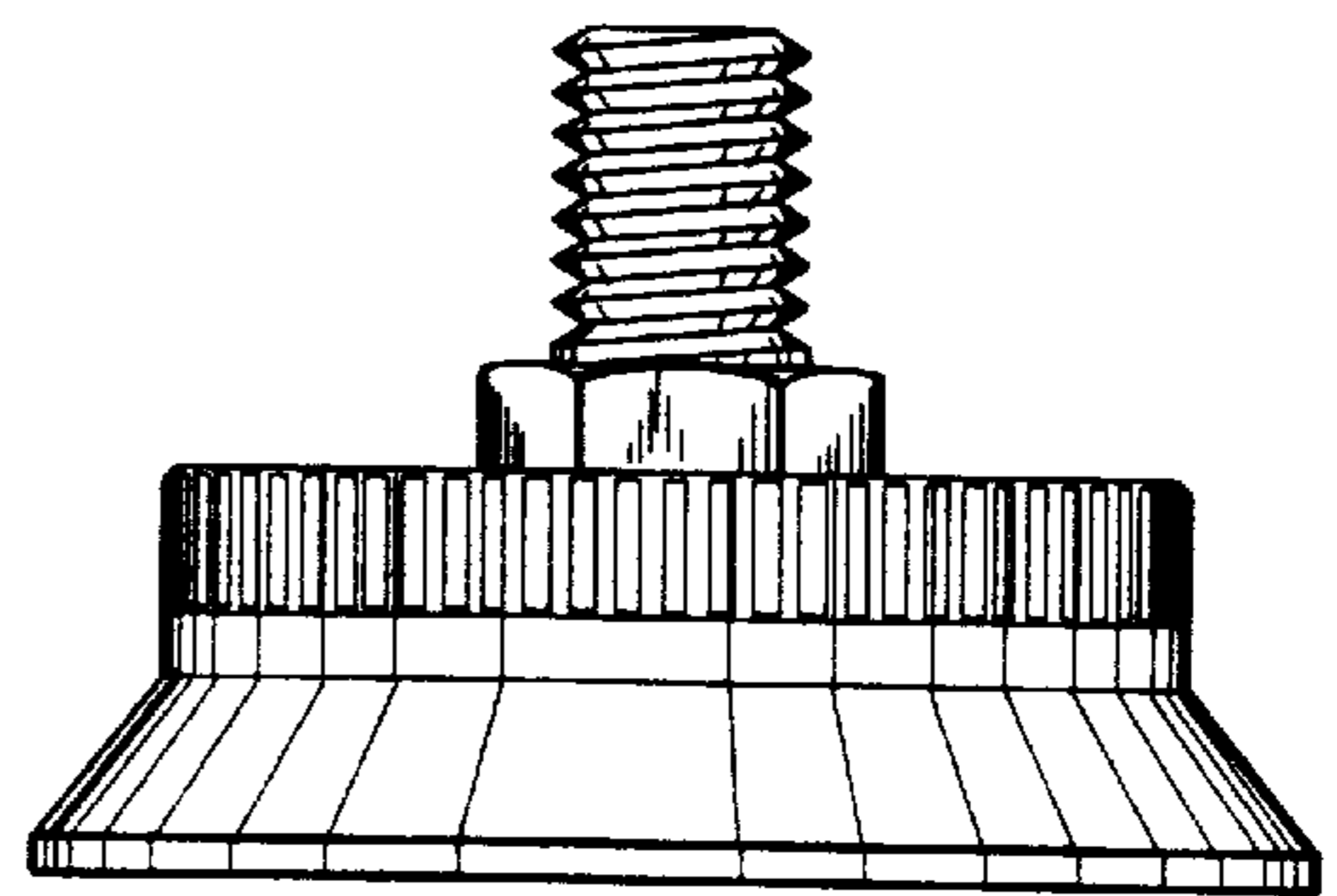


Fig. 13.

Fig. 14.

