



US00D437050S

(12) **United States Design Patent**  
**Balestracci**

(10) **Patent No.:** **US D437,050 S**

(45) **Date of Patent:** **\*\* Jan. 30, 2001**

(54) **PLUNGER ROD**  
(75) Inventor: **Ernest Balestracci**, Iselin, NJ (US)  
(73) Assignee: **Bracco Research USA**, Princeton, NJ (US)  
(\*\*) Term: **14 Years**  
(21) Appl. No.: **29/102,304**  
(22) Filed: **Mar. 22, 1999**  
(51) **LOC (7) Cl.** ..... **24-02**  
(52) **U.S. Cl.** ..... **D24/114; D24/112; D24/130**  
(58) **Field of Search** ..... **D24/112, 130, D24/113, 114; 604/218, 232, 224, 228, 110, 195; 222/390**

5,593,386 \* 1/1997 Helldin ..... 604/218  
5,700,247 12/1997 Grimard et al. .... 604/220  
5,860,961 1/1999 Gettig ..... 604/199  
5,891,087 \* 4/1999 Ohtani et al. .... 604/190  
5,989,219 \* 11/1999 Villas et al. .... 604/218

**FOREIGN PATENT DOCUMENTS**

WO 91/00114 1/1991 (WO) ..... 604/218  
WO 93/09827 5/1993 (WO) ..... 604/229

\* cited by examiner

*Primary Examiner*—Ian Simmons

(74) *Attorney, Agent, or Firm*—Imre Balogh

(57) **CLAIM**

The ornamental design for a plunger rod, as shown and described.

**DESCRIPTION**

FIG. 1 is a perspective view of the plunger rod;  
FIG. 2 is a front side elevational view thereof;  
FIG. 3 is a back side elevational view thereof;  
FIG. 4 is a bottom plan view thereof; and,  
FIG. 5 is a top plan view thereof.

**1 Claim, 2 Drawing Sheets**

(56) **References Cited**

**U.S. PATENT DOCUMENTS**

D. 383,205 \* 9/1997 Pagay et al. .... D24/112  
D. 387,426 \* 12/1997 Husar et al. .... D24/112  
D. 403,762 1/1999 Gabbard et al. .... D24/113  
4,543,093 9/1985 Christinger ..... 604/228  
5,085,640 \* 2/1992 Gibbs ..... 604/218  
5,411,488 5/1995 Pagay et al. .... 604/218

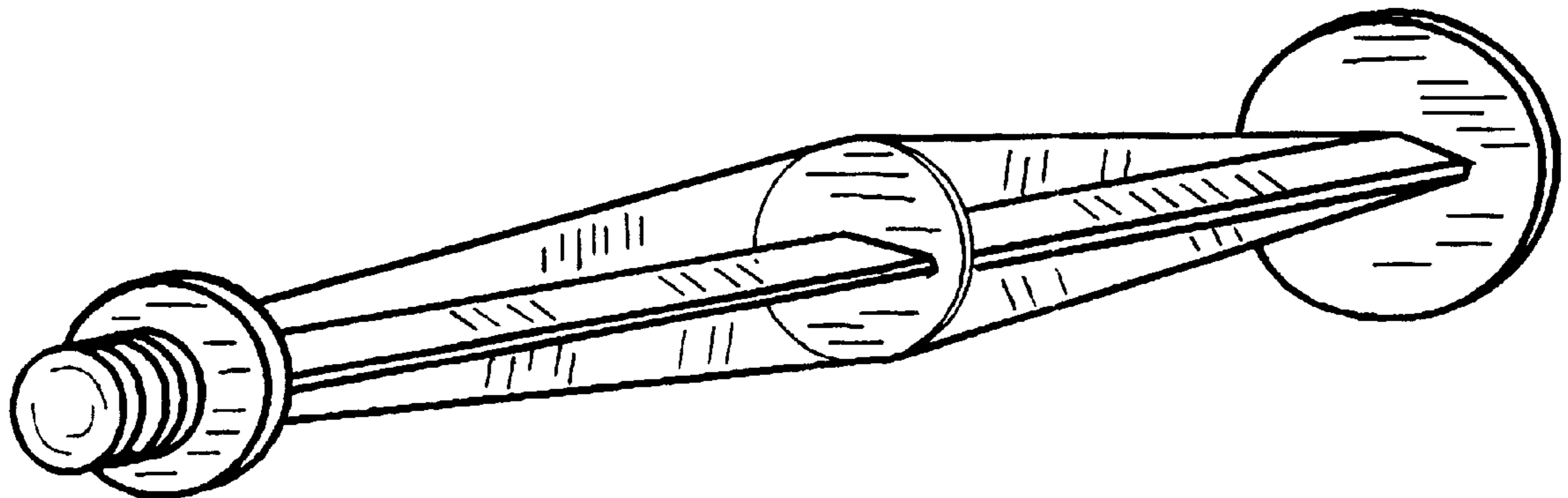


FIG. 1

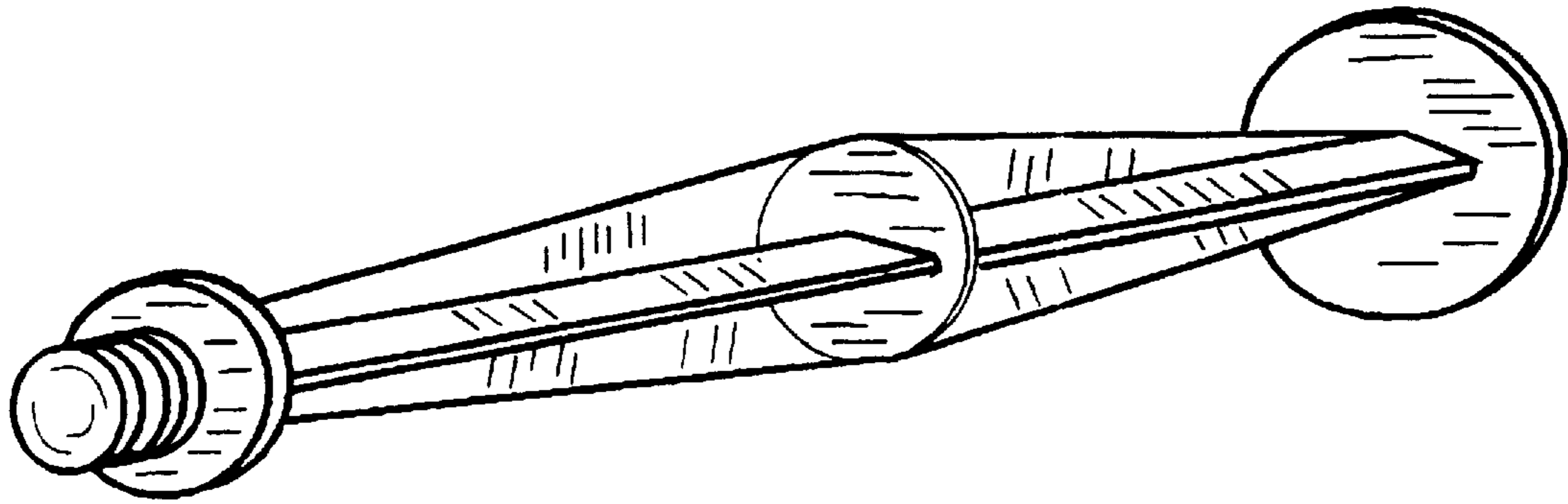


FIG. 2

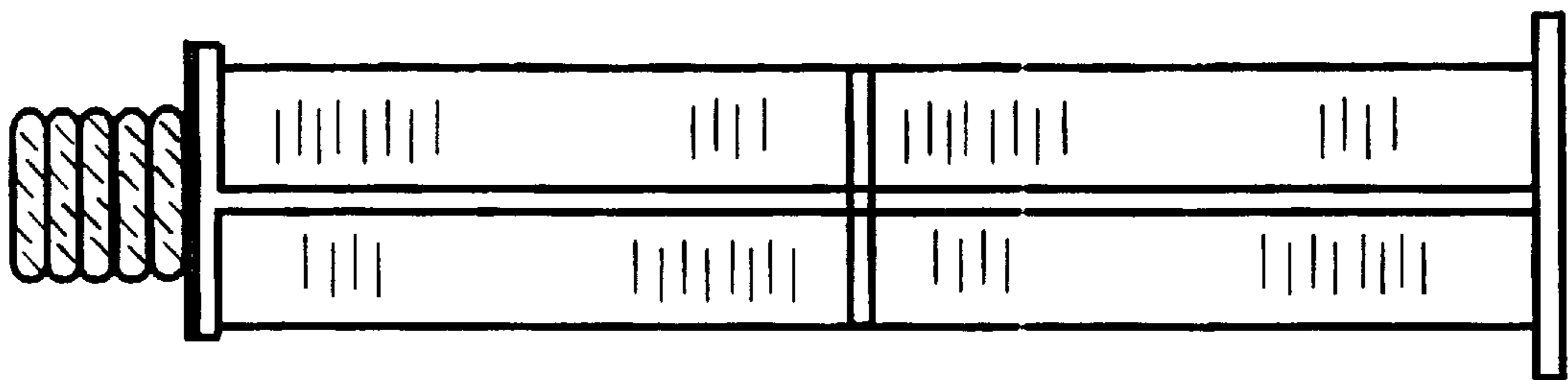


FIG. 3

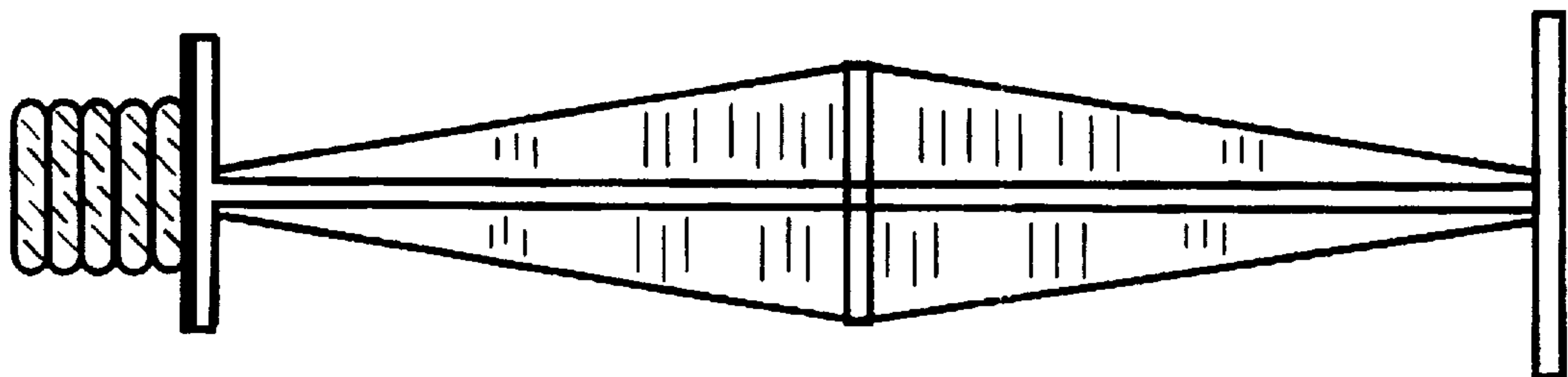


FIG. 4

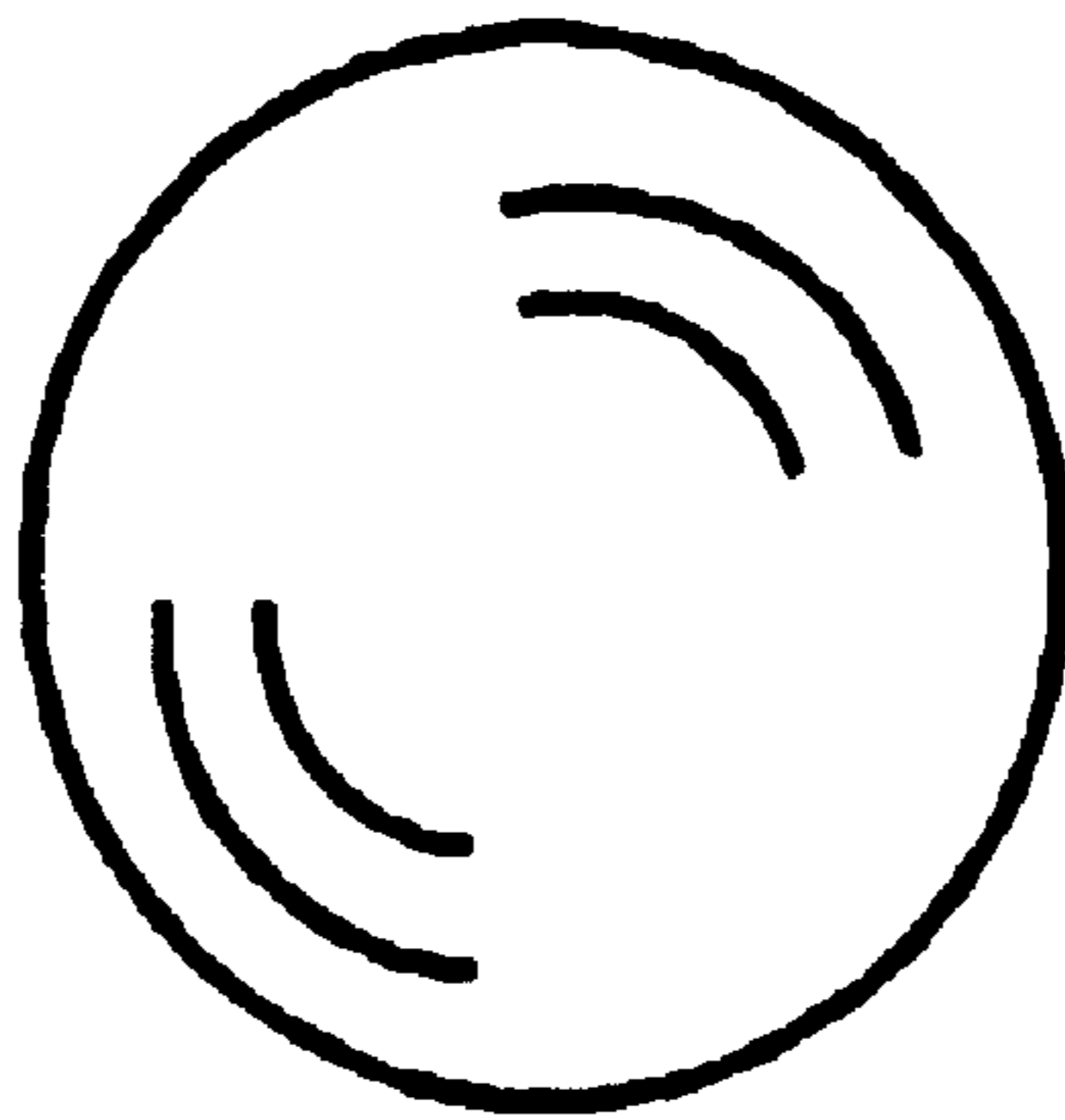


FIG. 5

