



US00D437048S

(12) **United States Design Patent**
Hirshfeld

(10) **Patent No.:** **US D437,048 S**

(45) **Date of Patent:** **** Jan. 30, 2001**

(54) **EAR PLUG**

(75) **Inventor:** **Eallan Hirshfeld, Ra'anuna (IL)**

(73) **Assignee:** **Spanish Main Trading Corporation,**
London (GB)

(**) **Term:** **14 Years**

(21) **Appl. No.:** **29/109,638**

(22) **Filed:** **Aug. 19, 1999**

(30) **Foreign Application Priority Data**

Feb. 22, 1999 (IL) 31144

(51) **LOC (7) Cl.** **24-04**

(52) **U.S. Cl.** **D24/106**

(58) **Field of Search** D24/106; 181/139,
181/130; 128/867, 864, 866, 865

(56) **References Cited**

U.S. PATENT DOCUMENTS

- D. 241,881 * 10/1976 Peterson et al. D24/106
- D. 245,202 * 7/1977 Asker D24/106

- D. 413,379 * 8/1999 Leight D24/106
- 1,045,812 * 12/1912 Campbell 181/134
- 2,888,921 * 6/1959 Nielson et al. D24/106
- 2,934,160 * 4/1960 Touson D24/106
- 3,872,559 3/1975 Leight .
- 4,094,315 6/1978 Leight .

* cited by examiner

Primary Examiner—Ian Simmons

(74) *Attorney, Agent, or Firm*—Sterne, Kessler, Goldstein & Fox, P.L.L.C.

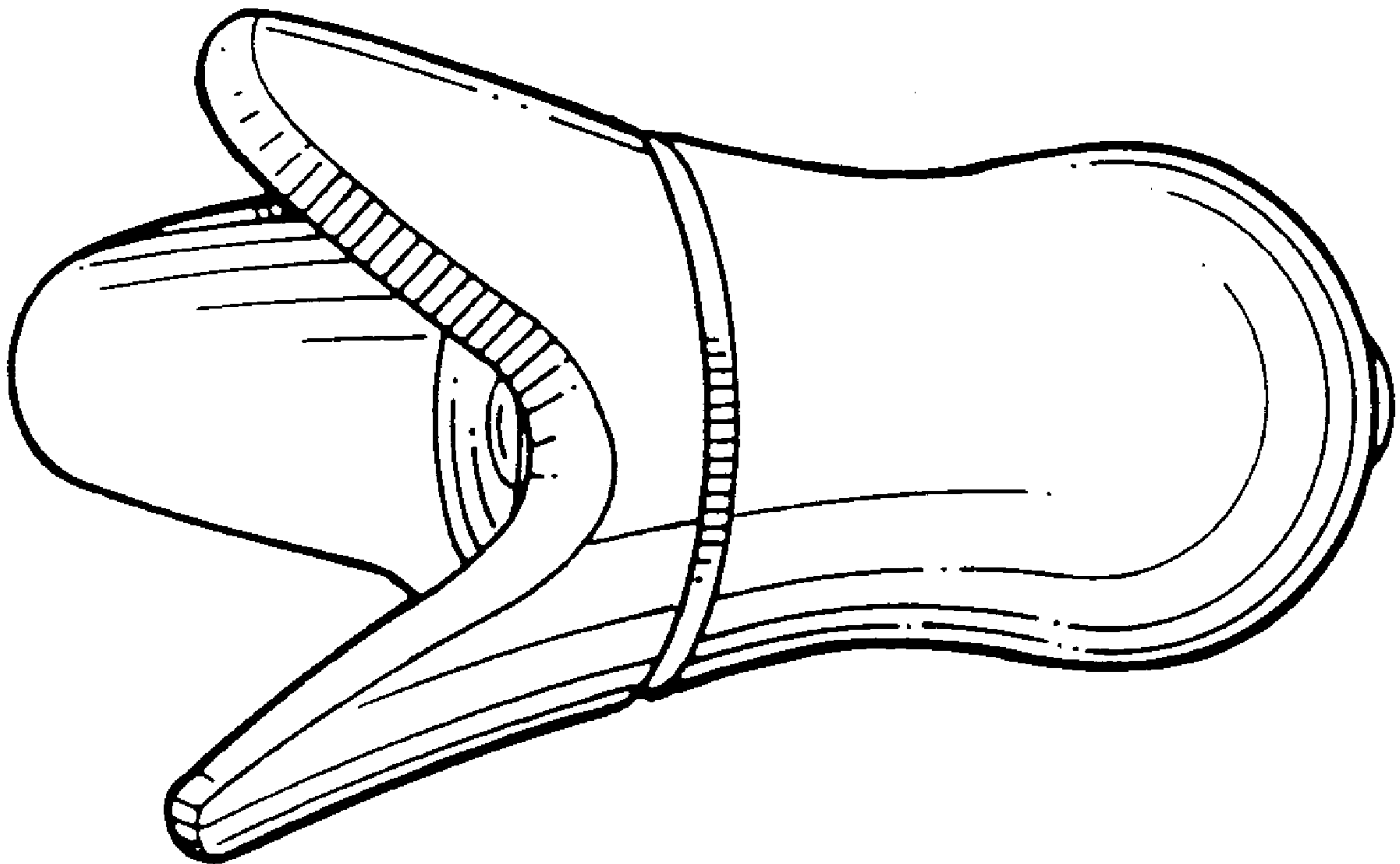
(57) **CLAIM**

The ornamental design for an ear plug, as shown and described.

DESCRIPTION

FIG. 1 is a left and front perspective view of an ear plug showing my new design;
 FIG. 2 is a right side elevational view thereof;
 FIG. 3 is a front plan view thereof;
 FIG. 4 is a top plan view thereof; and,
 FIG. 5 is a rear plan view thereof.

1 Claim, 2 Drawing Sheets



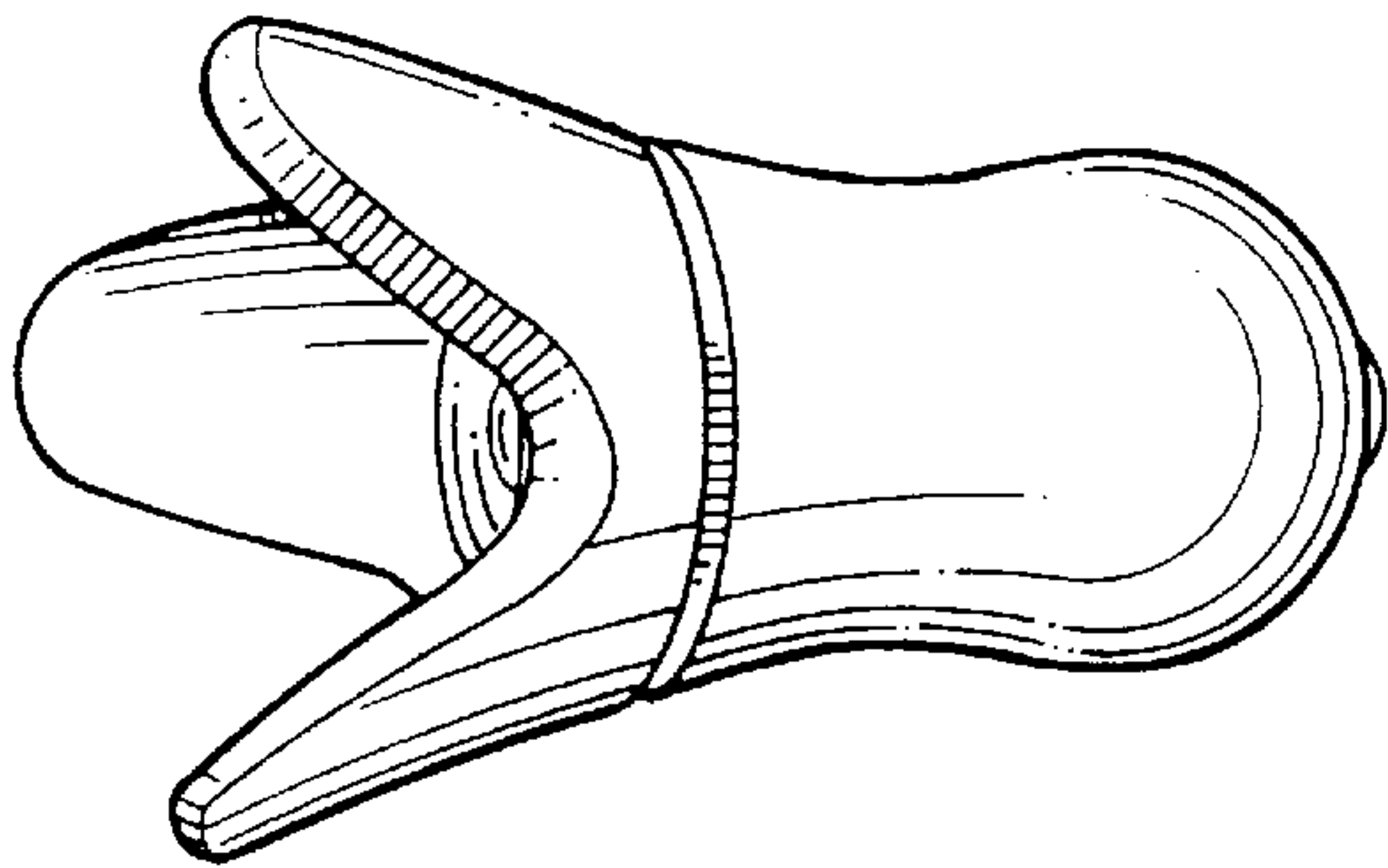


FIG. 1

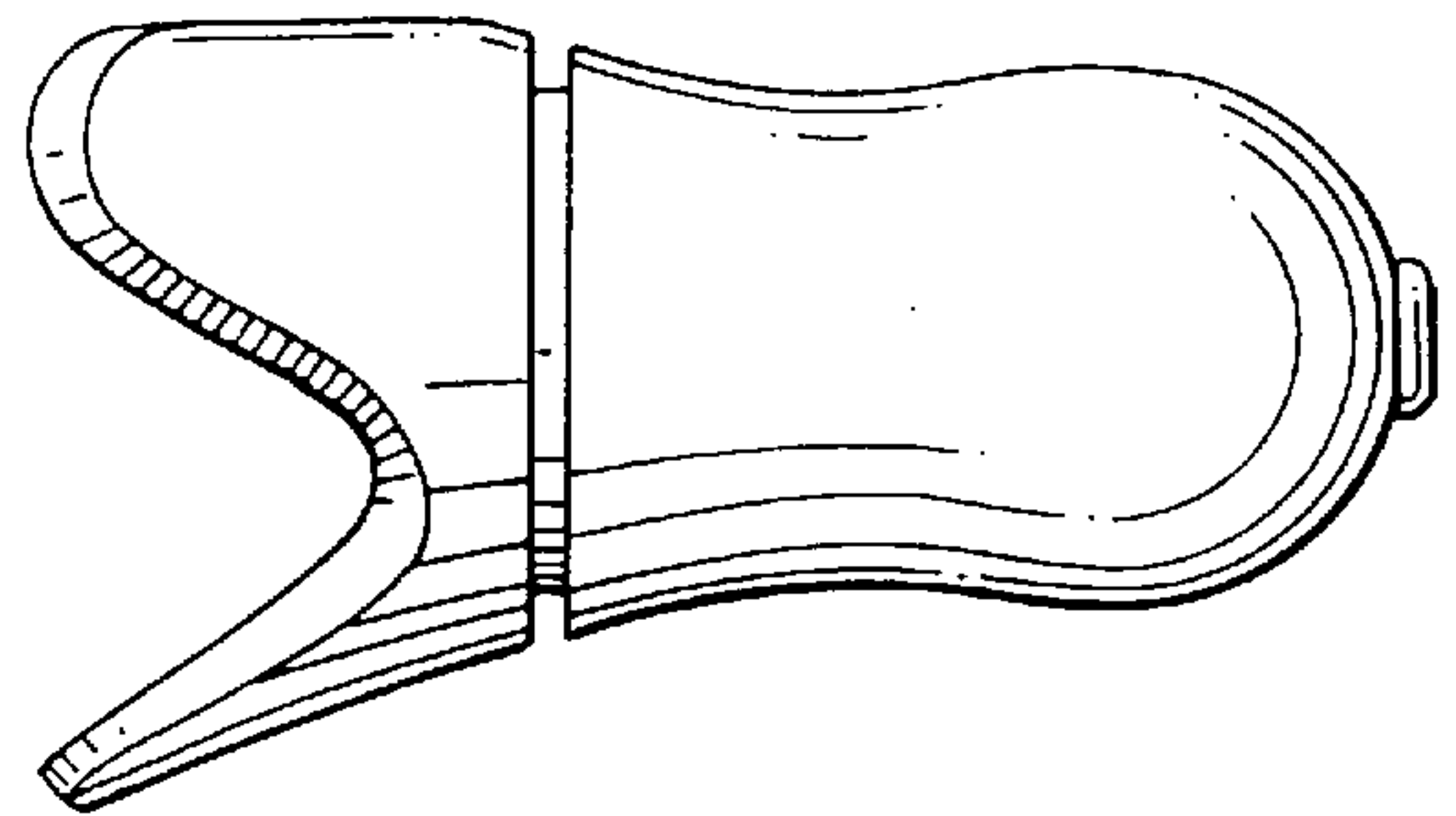


FIG. 2

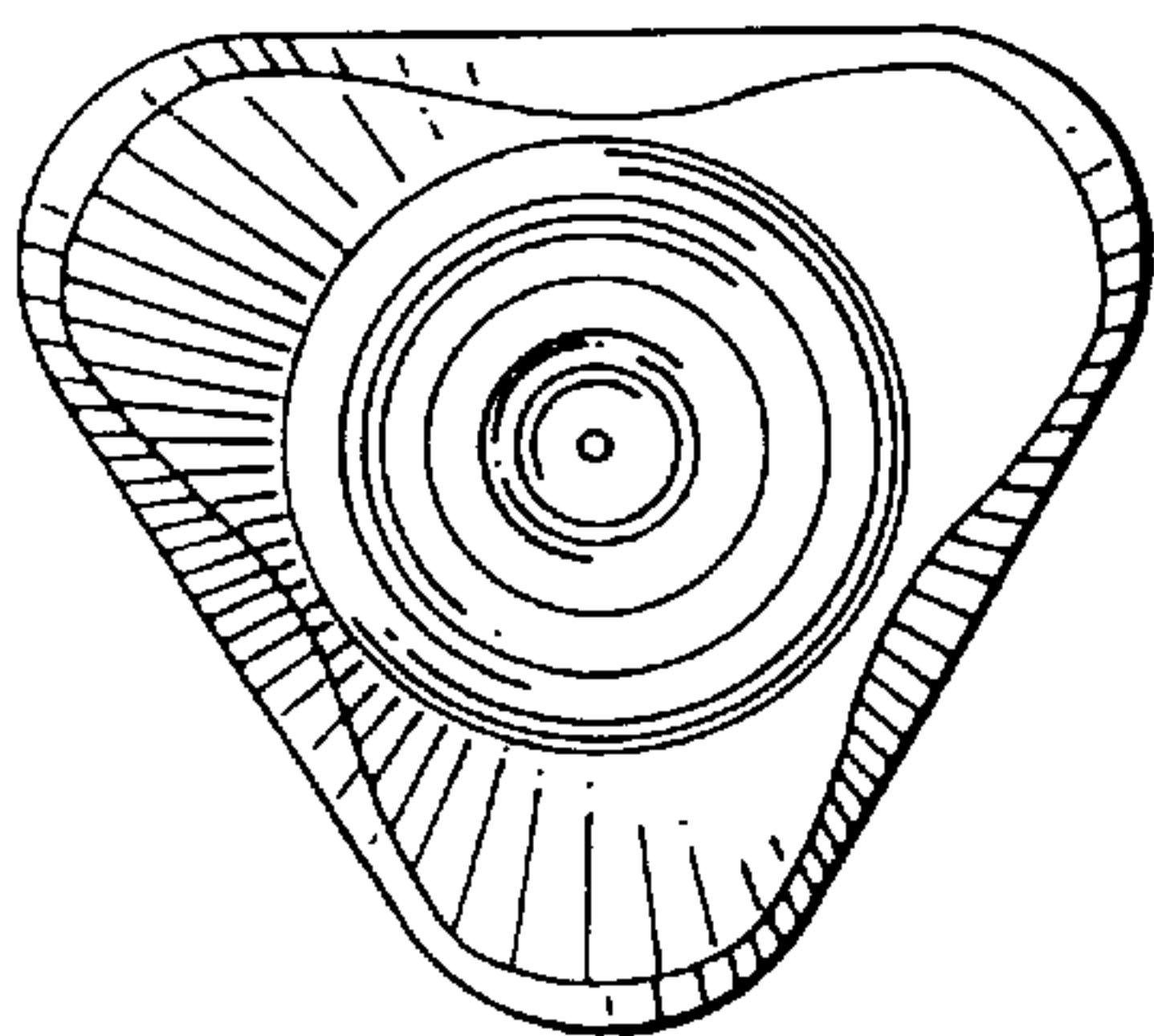


FIG. 3

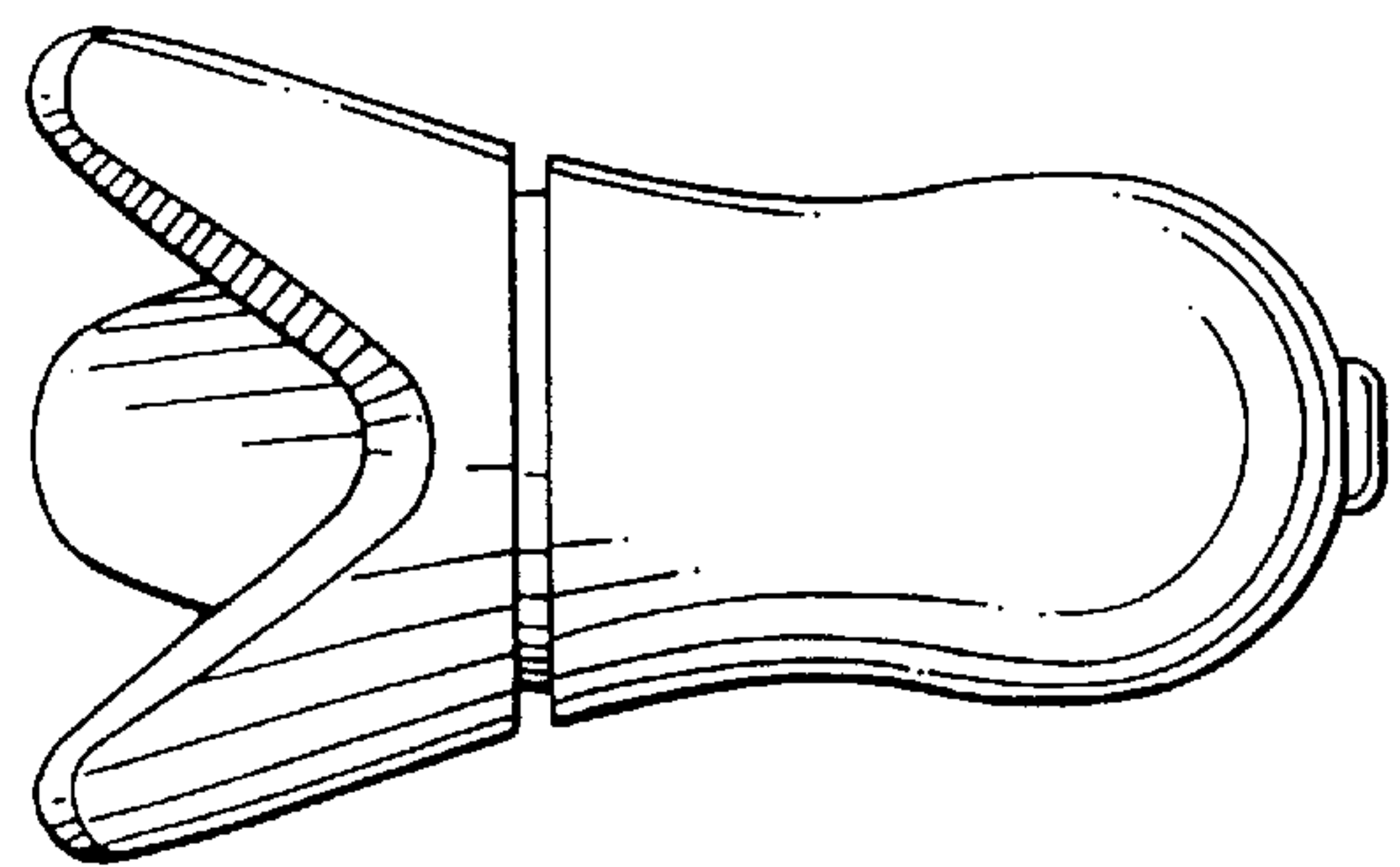


FIG. 4

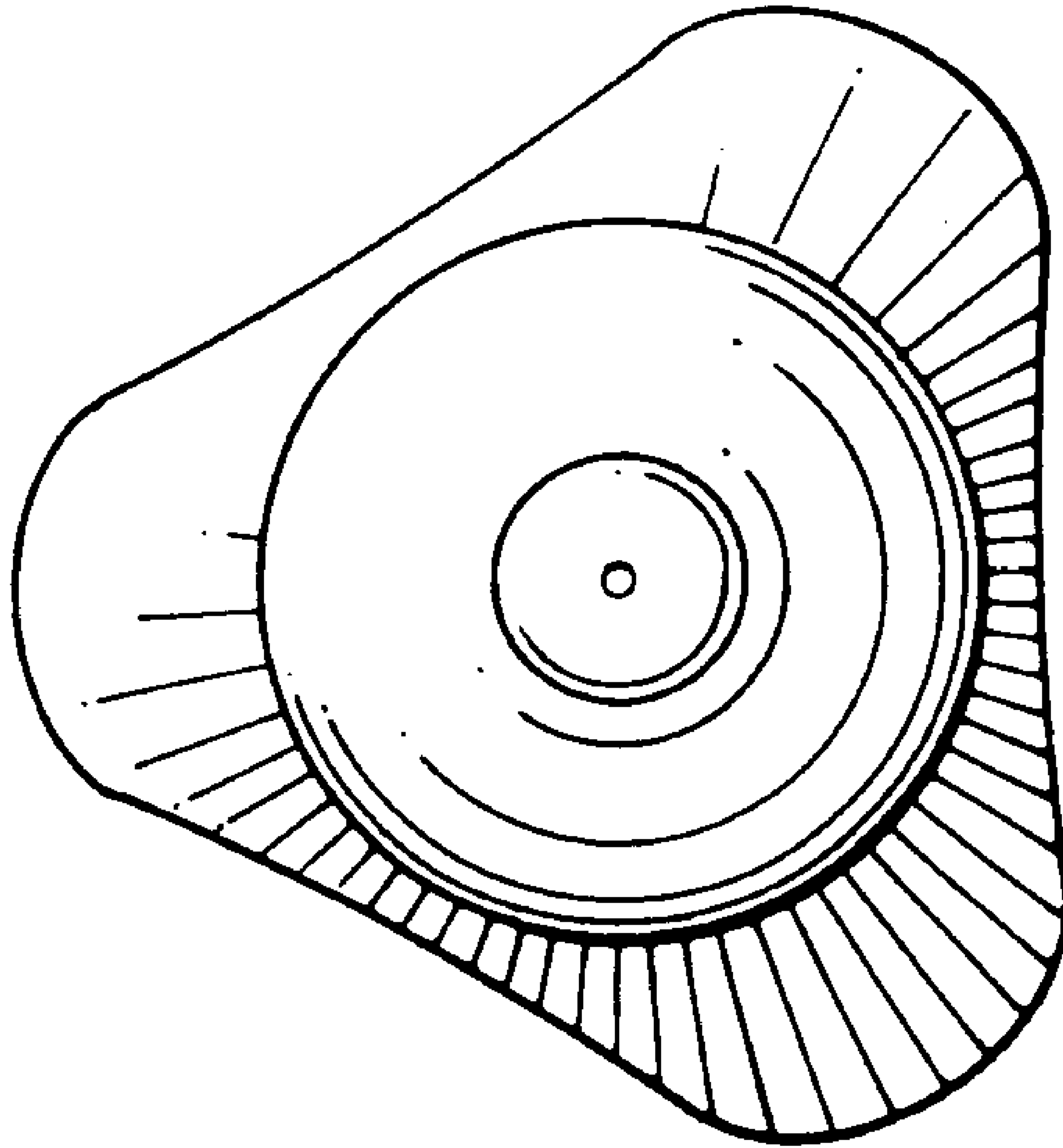


FIG. 5