



US00D437043S

(12) **United States Design Patent**
Wettergren

(10) **Patent No.:** **US D437,043 S**

(45) **Date of Patent:** **** Jan. 30, 2001**

(54) **IN-LINE FAN HOUSING**

(75) **Inventor:** **Ola We Wettergren, Sarasota, FL (US)**

(73) **Assignee:** **R. B. Kanalfakt, Inc., Sarasota, FL (US)**

(**) **Term:** **14 Years**

(21) **Appl. No.:** **29/115,803**

(22) **Filed:** **Dec. 21, 1999**

(51) **LOC (7) Cl.** **23-04**

(52) **U.S. Cl.** **D23/370**

(58) **Field of Search** **D23/370, 411;**
415/220, 219.1

(56) **References Cited**

U.S. PATENT DOCUMENTS

D. 381,411 7/1997 Kapturowski D23/370

Primary Examiner—Lisa Lichtenstein
(74) *Attorney, Agent, or Firm*—Charles J. Prescott

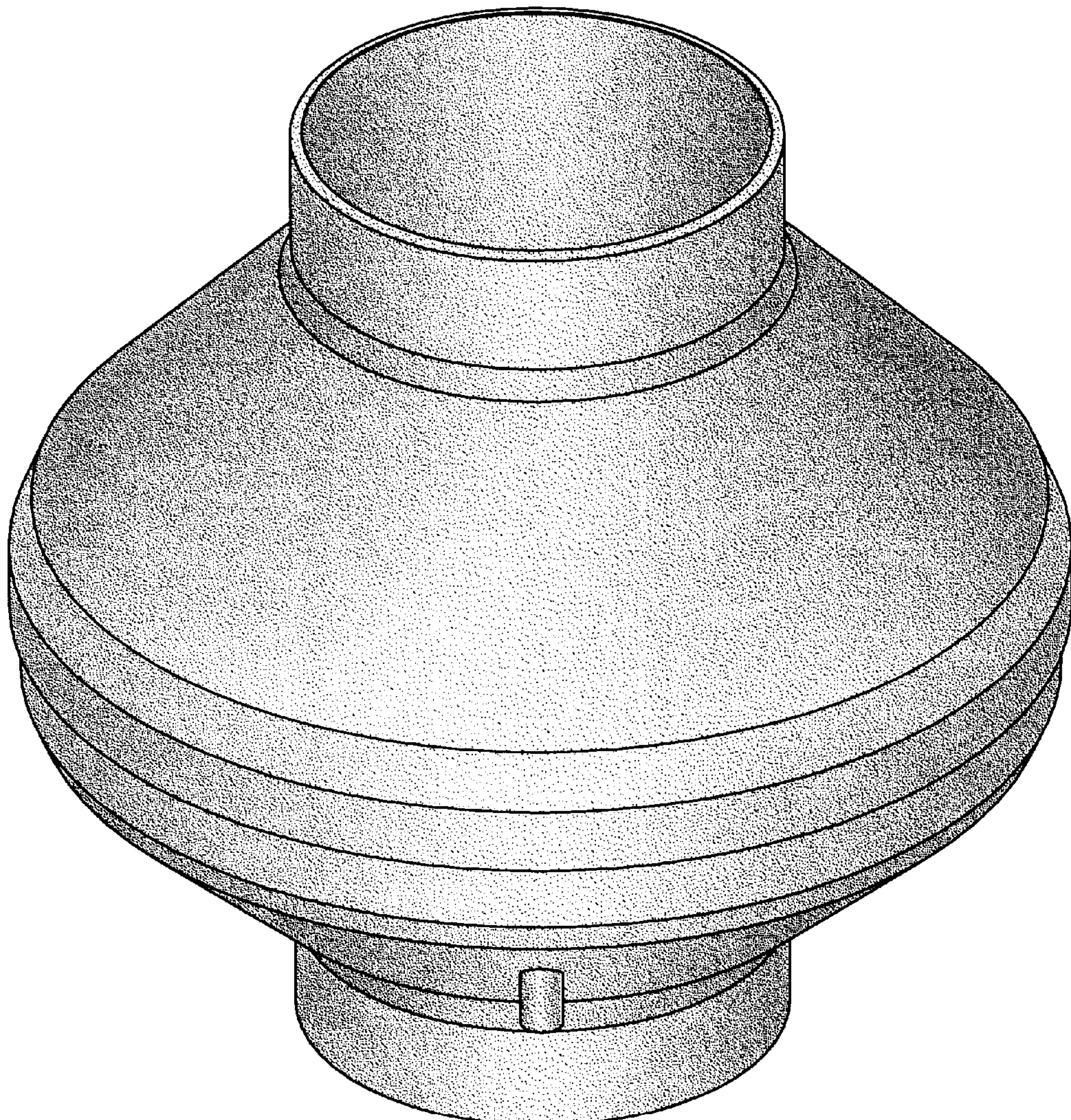
(57) **CLAIM**

The ornamental design for an in-line fan housing, as shown and described.

DESCRIPTION

FIG. 1 is a front perspective view of my in-line fan housing.
FIG. 2 is a top plan view thereof;
FIG. 3 is a bottom plan view thereof;
FIG. 4 is a front elevation view thereof;
FIG. 5 is a rear elevation view thereof; and,
FIG. 6 is a right side elevation view being a mirror image thereof.

1 Claim, 6 Drawing Sheets



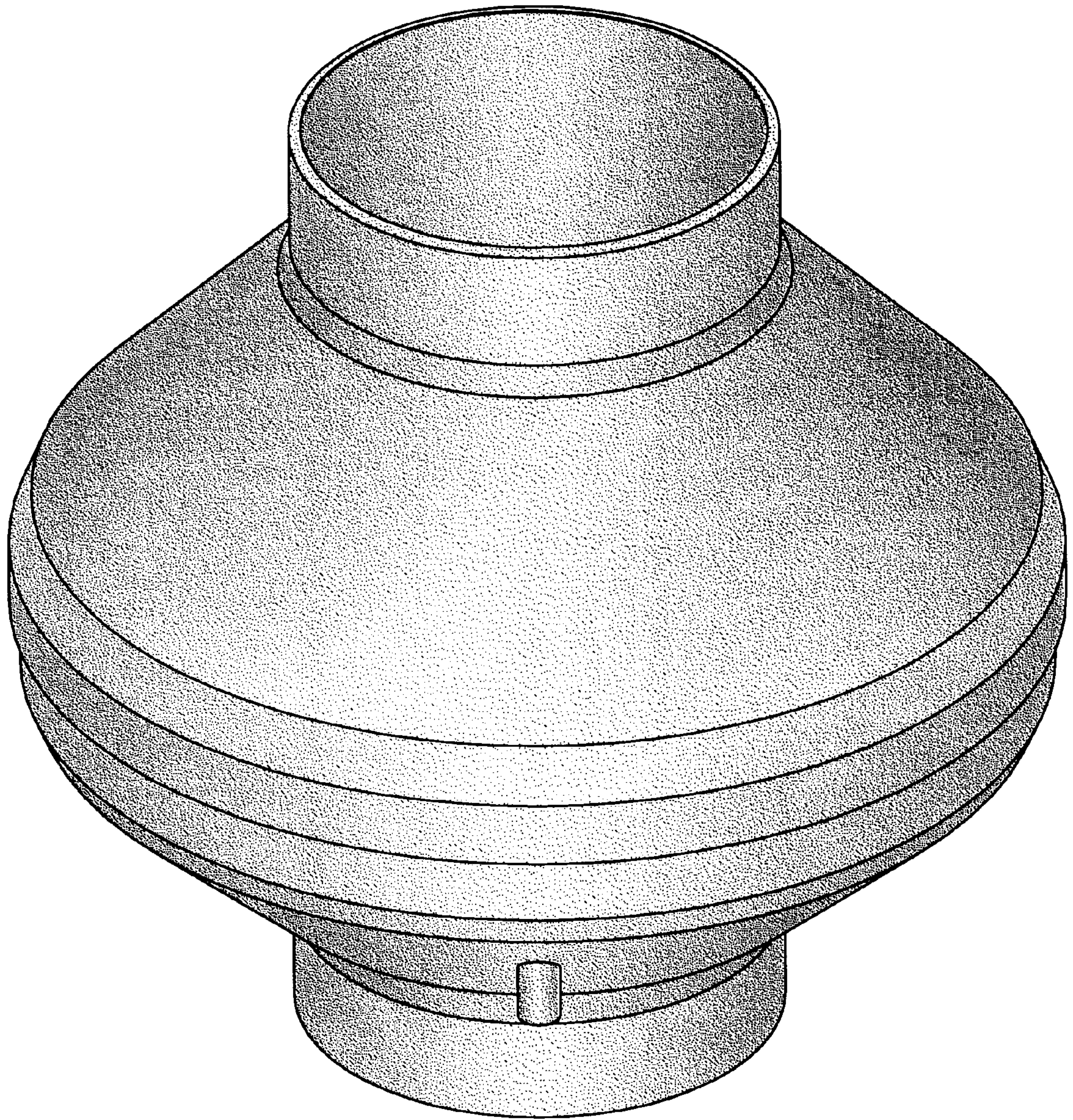


FIG. 1

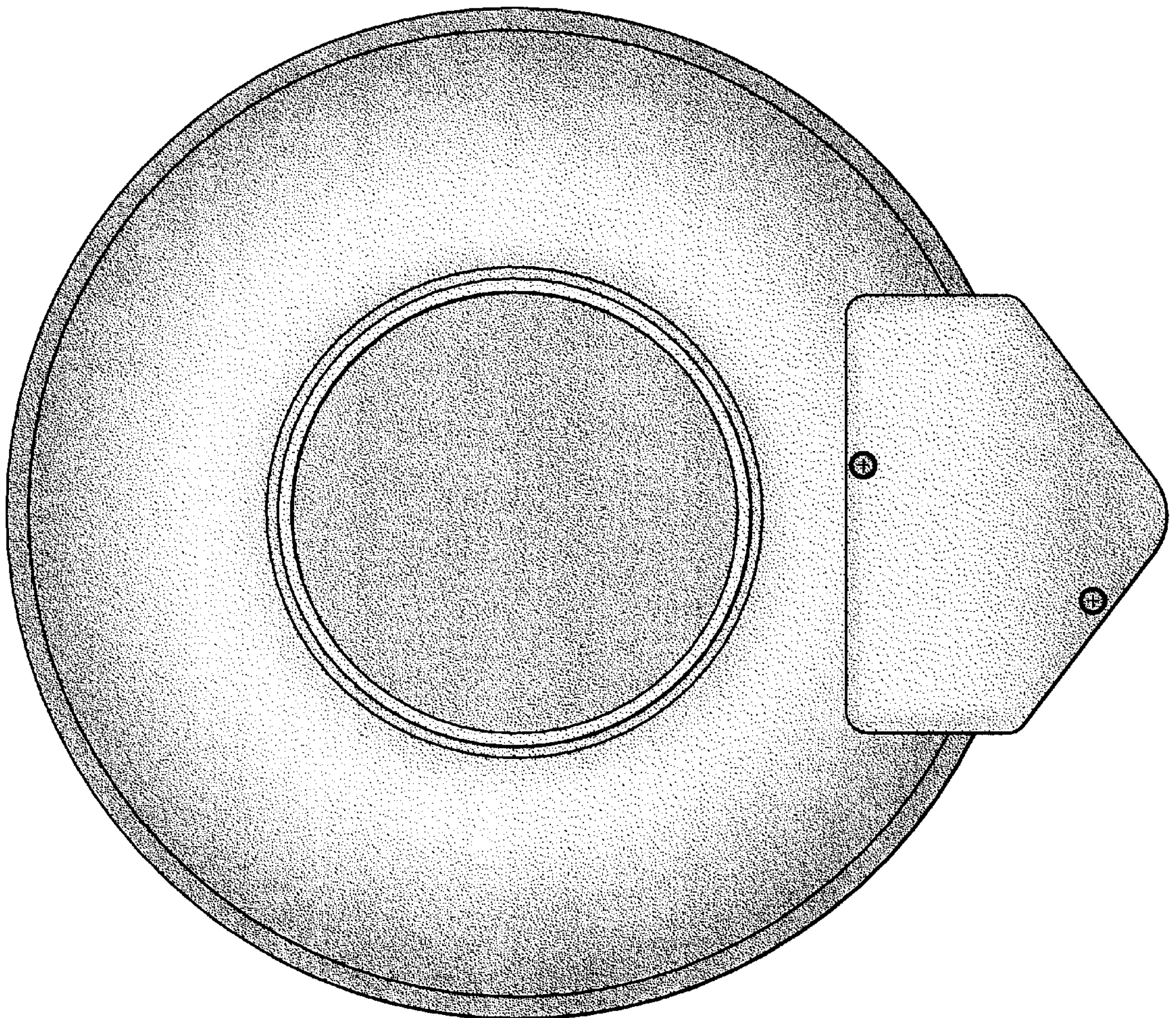


FIG. 2

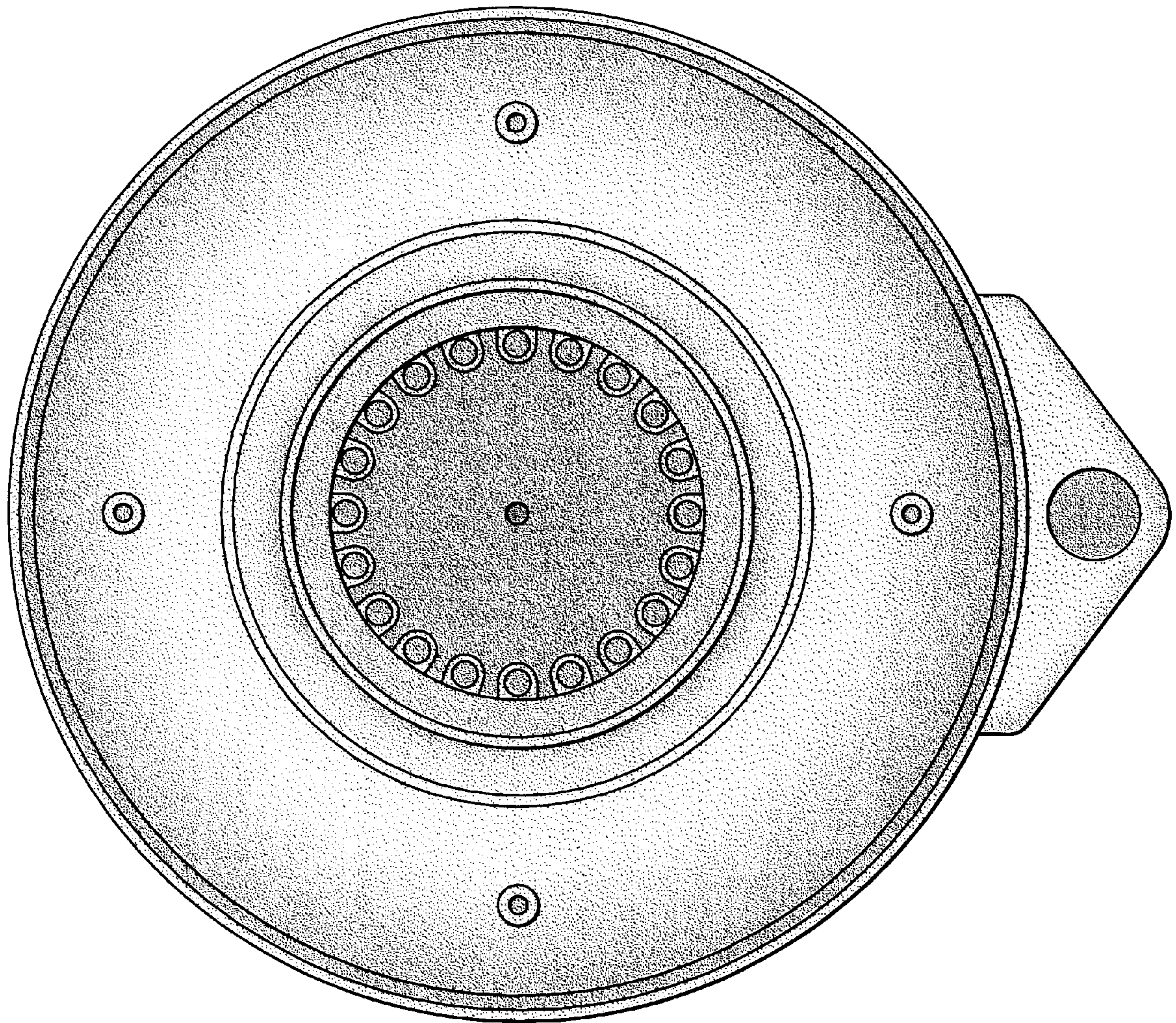


FIG. 3

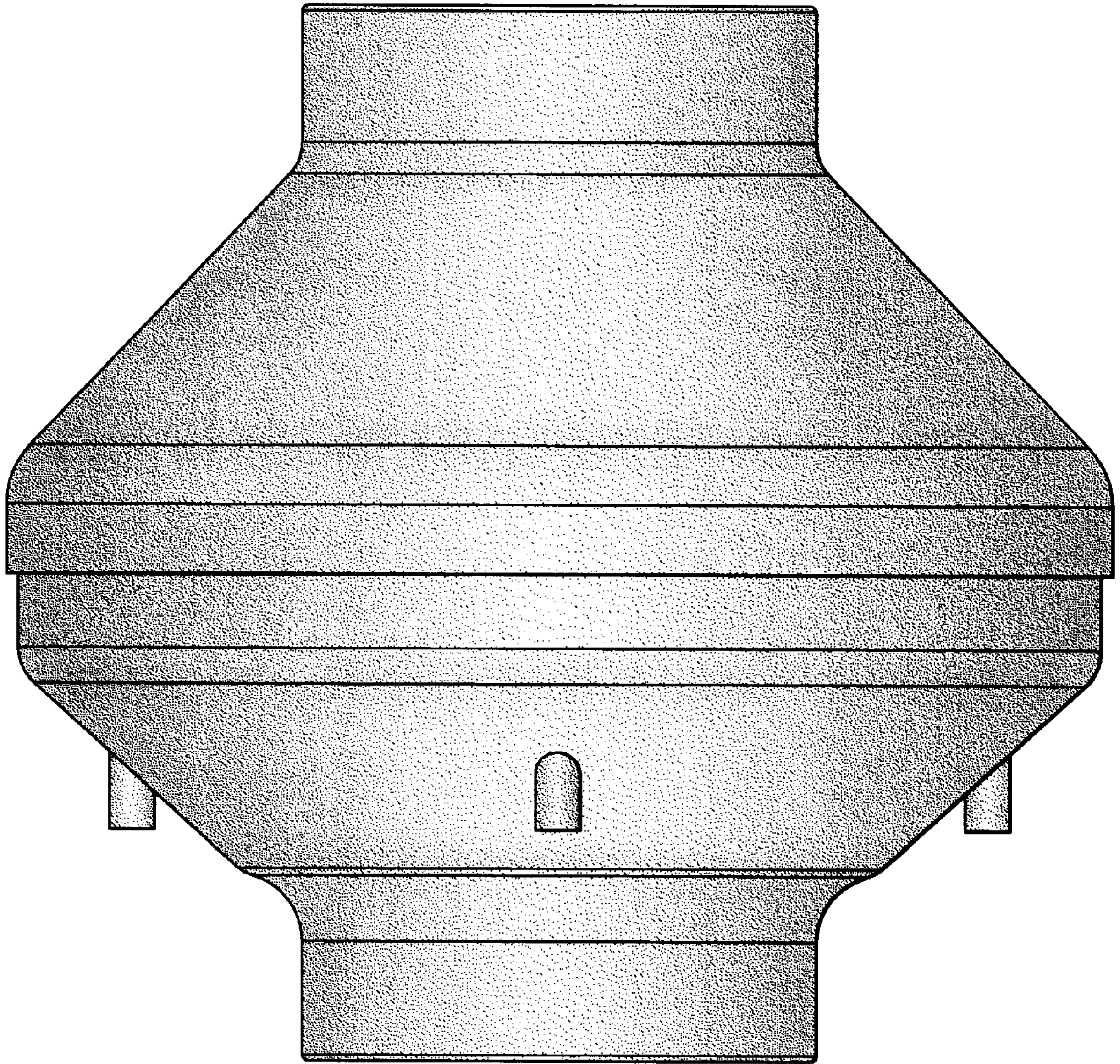


FIG. 4

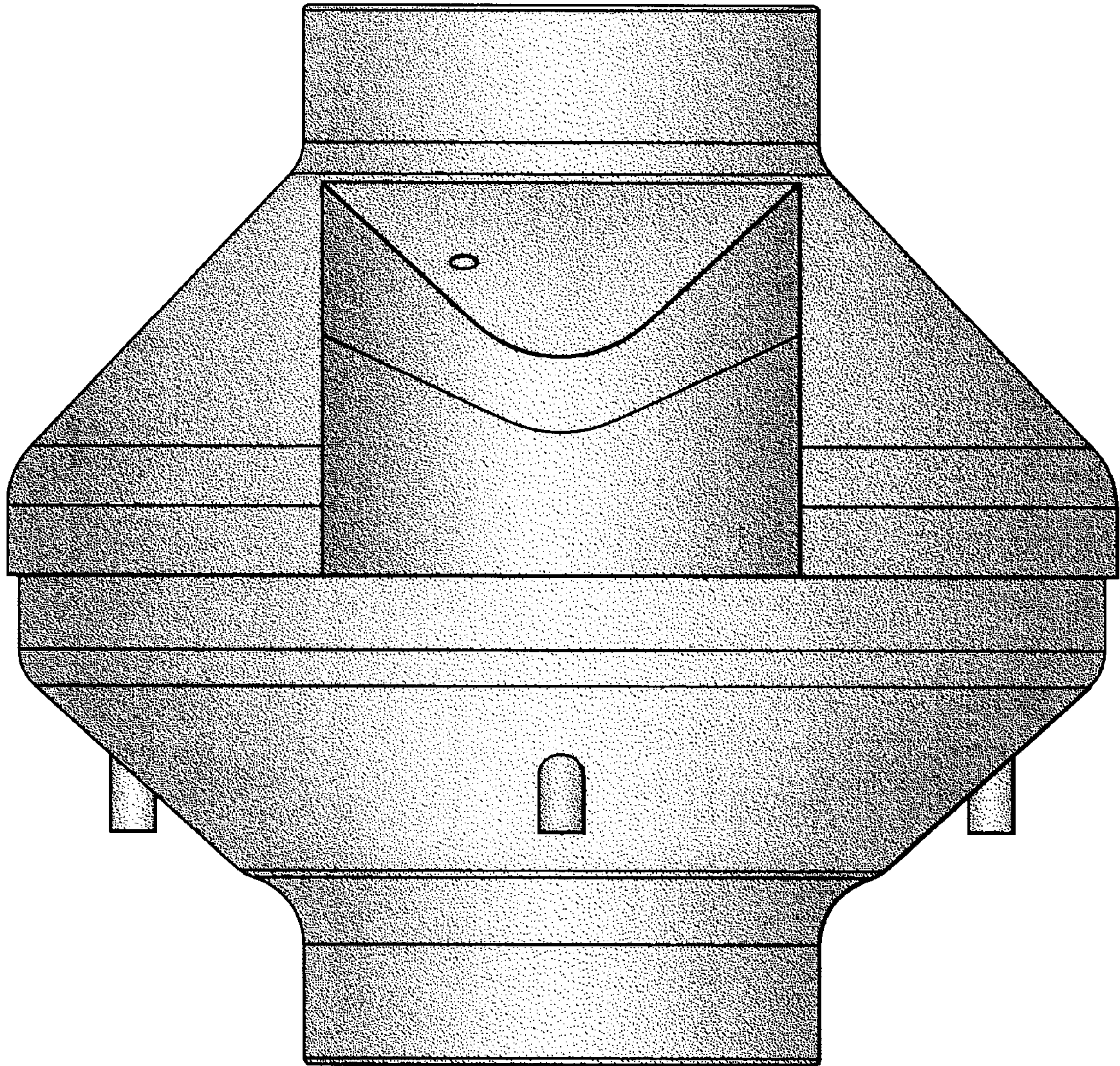


FIG. 5

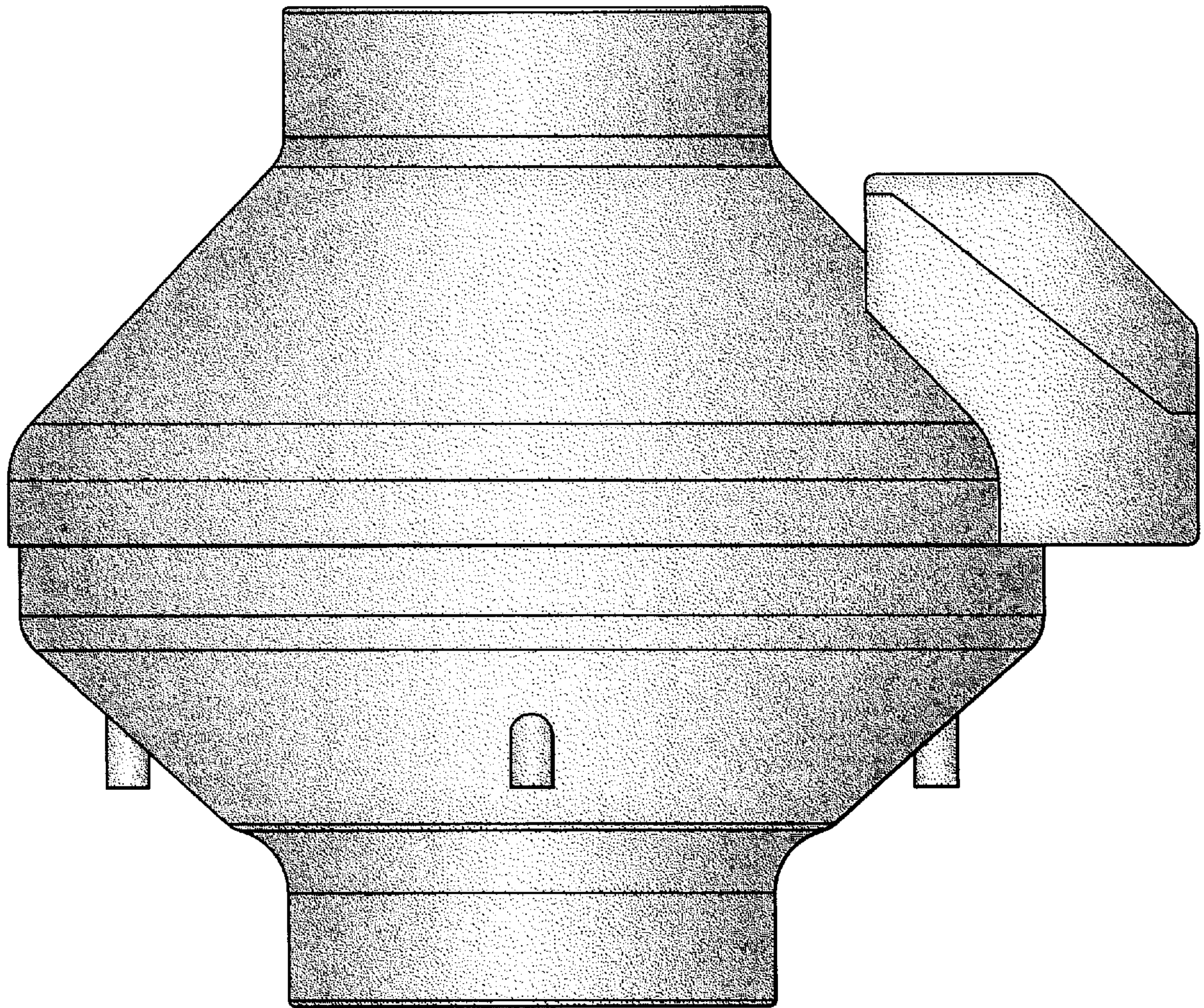


FIG. 6