



US00D437042S

(12) **United States Design Patent**
Kapturowski

(10) **Patent No.:** **US D437,042 S**

(45) **Date of Patent:** **** Jan. 30, 2001**

(54) **RADON FAN**

(75) **Inventor:** **David P. Kapturowski**, Groveland, MA (US)

(73) **Assignee:** **Spruce Environmental Technologies, Inc.**, Ward Hill, MA (US)

(**) **Term:** **14 Years**

(21) **Appl. No.:** **29/110,692**

(22) **Filed:** **Sep. 10, 1999**

(51) **LOC (7) Cl.** **23-04**

(52) **U.S. Cl.** **D23/370**

(58) **Field of Search** D23/411, 370;
454/909, 341; 415/220, 219.1

(56) **References Cited**

U.S. PATENT DOCUMENTS

D. 381,411 7/1997 Kapturowski D23/370

OTHER PUBLICATIONS

Spruce Inline Fan Brochure Folder, 1998.
Fantech Sales Brochure, 1998.
Fantech Sales Brochure, 1994.

Continental Fan Sales Brochure, Approximately 1995.
Vent-Axia Sales Brochure, Approximately 1995.
Rosenberg Sales Brochure, Approximately 1990.
Fan America (Kanalfakt) Sales Brochure, Approximately 1990.
Nutone Sales Brochure, Approximately 1996.

Primary Examiner—Lisa Lichtenstein
(74) *Attorney, Agent, or Firm*—Wolf, Greenfield & Sacks, P.C.

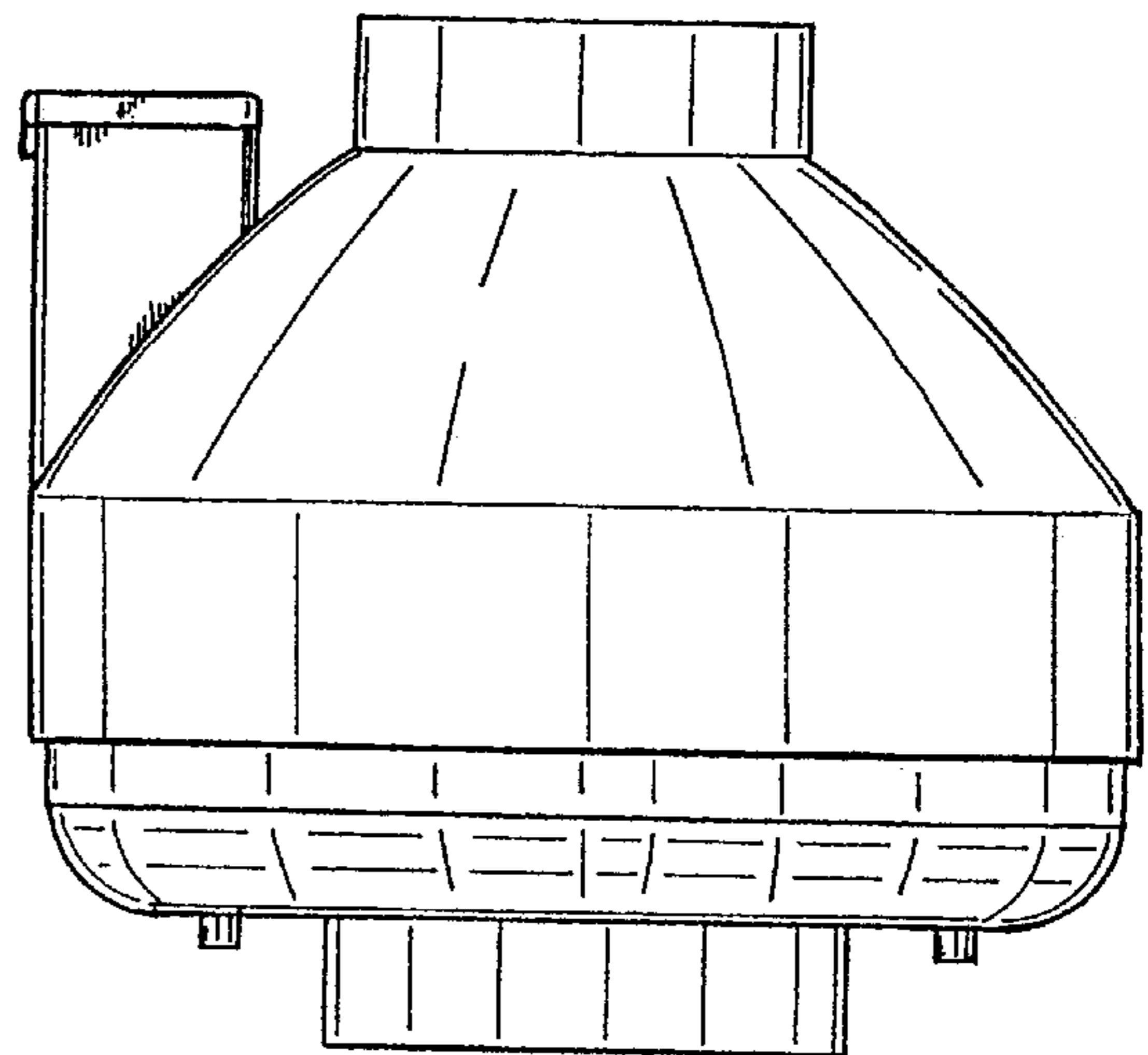
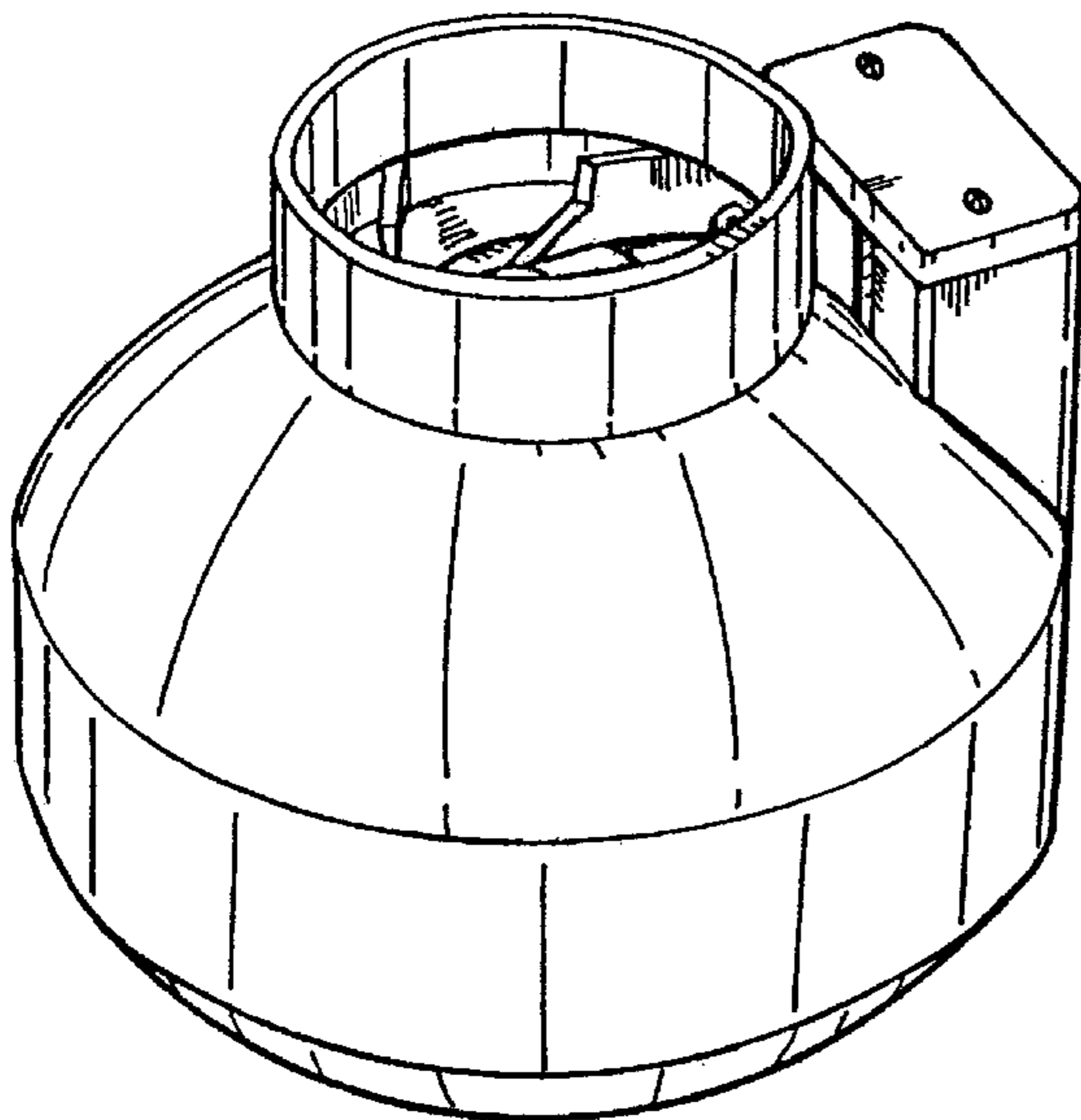
(57) **CLAIM**

The ornamental design for a radon fan, as shown and described.

DESCRIPTION

FIG. 1 is a side, top, perspective view of the radon fan;
FIG. 2 is a front view thereof;
FIG. 3 is a rear view thereof;
FIG. 4 is a left side view thereof;
FIG. 5 is a right side view thereof;
FIG. 6 is a top view thereof; and,
FIG. 7 is a bottom view thereof.

1 Claim, 4 Drawing Sheets



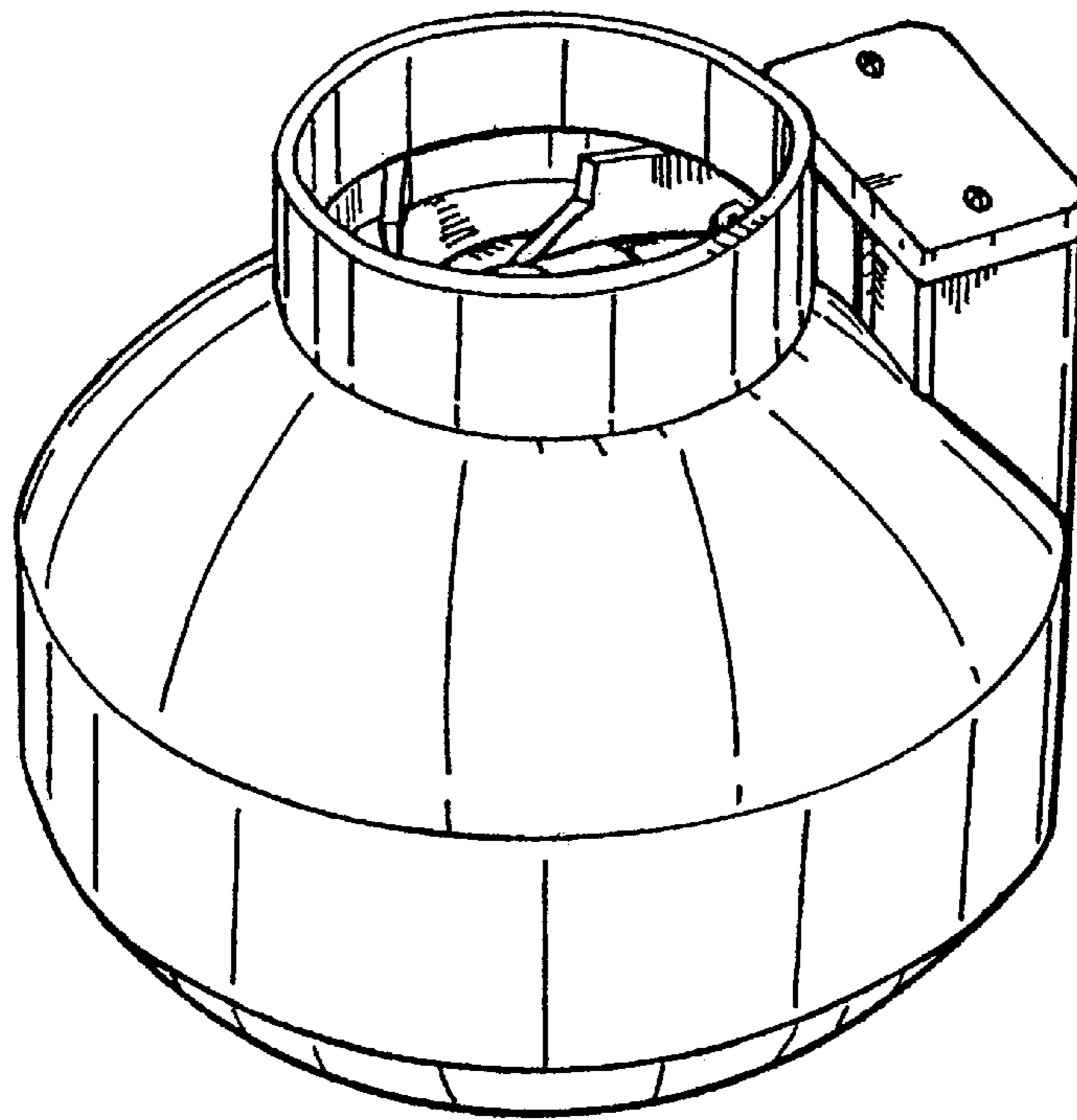


Fig. 1

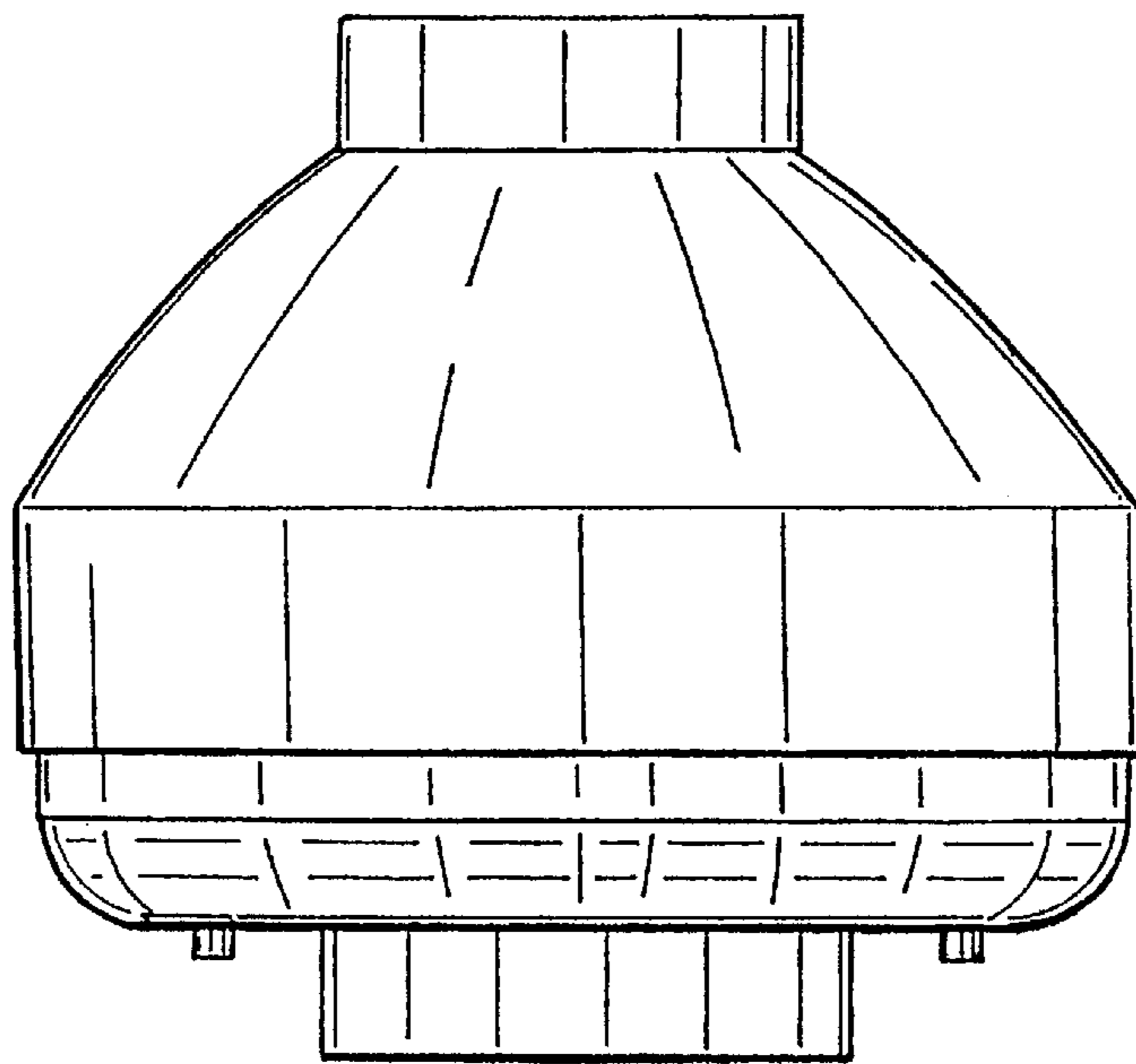


Fig. 2

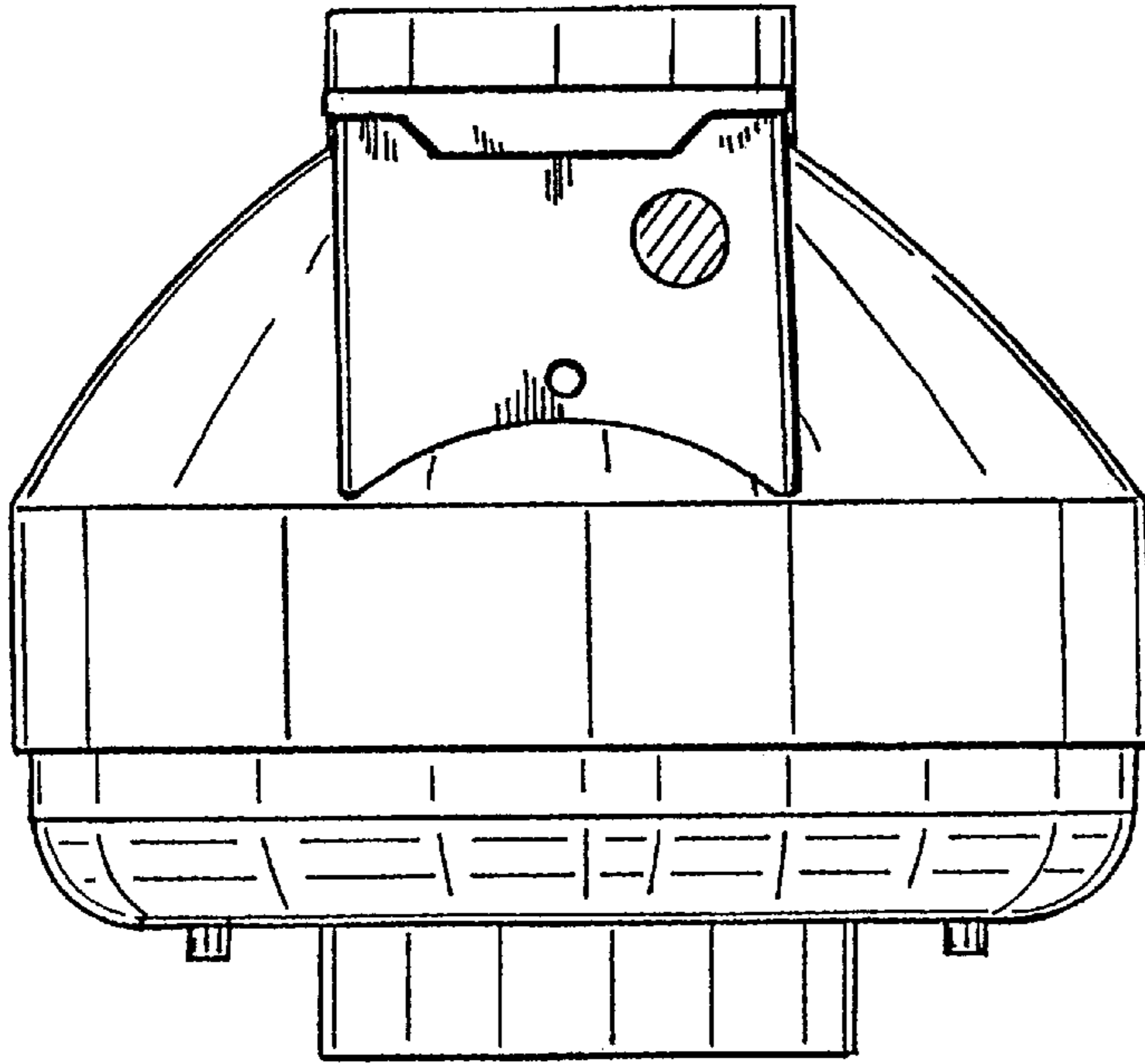


Fig. 3

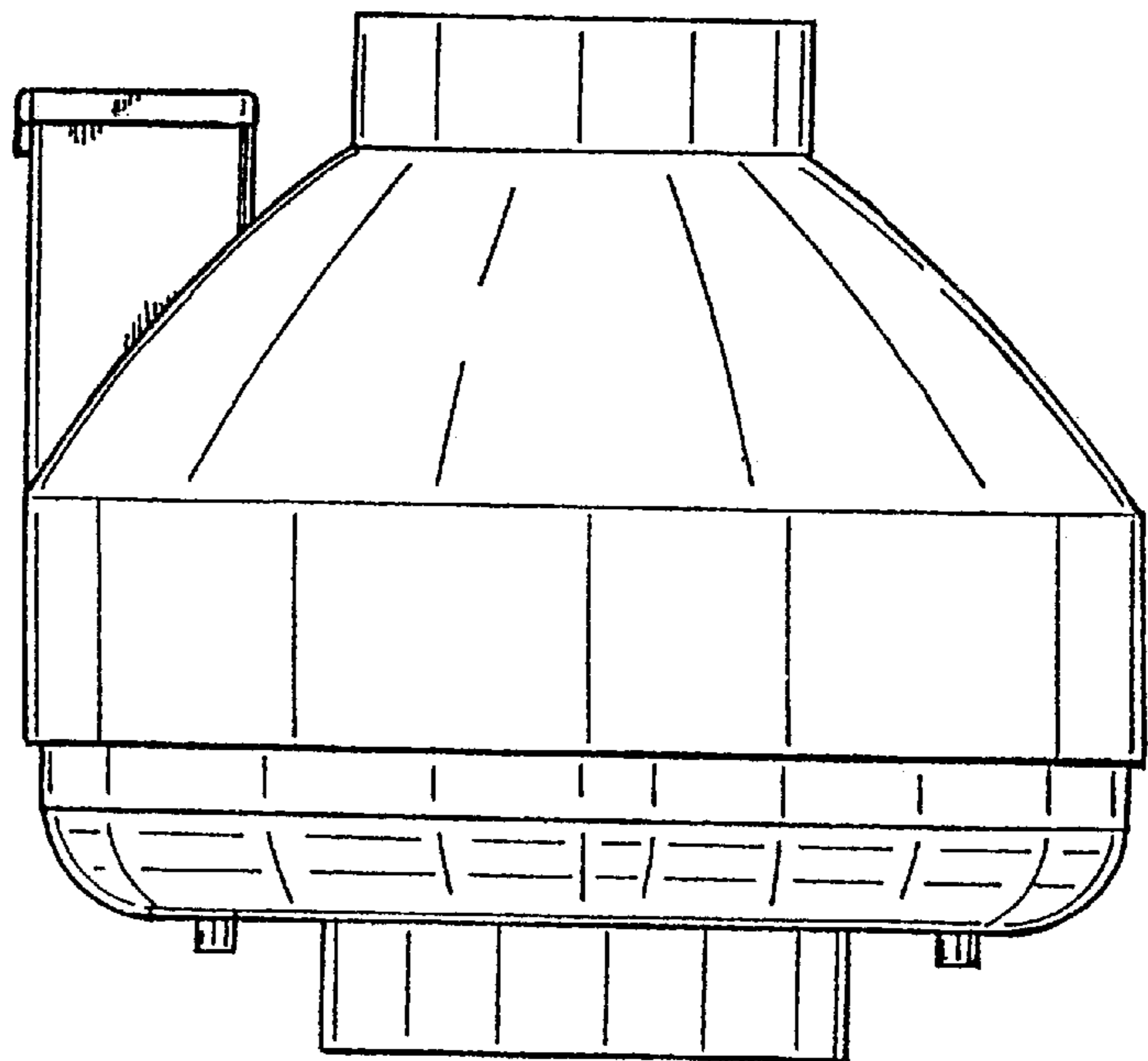


Fig. 4

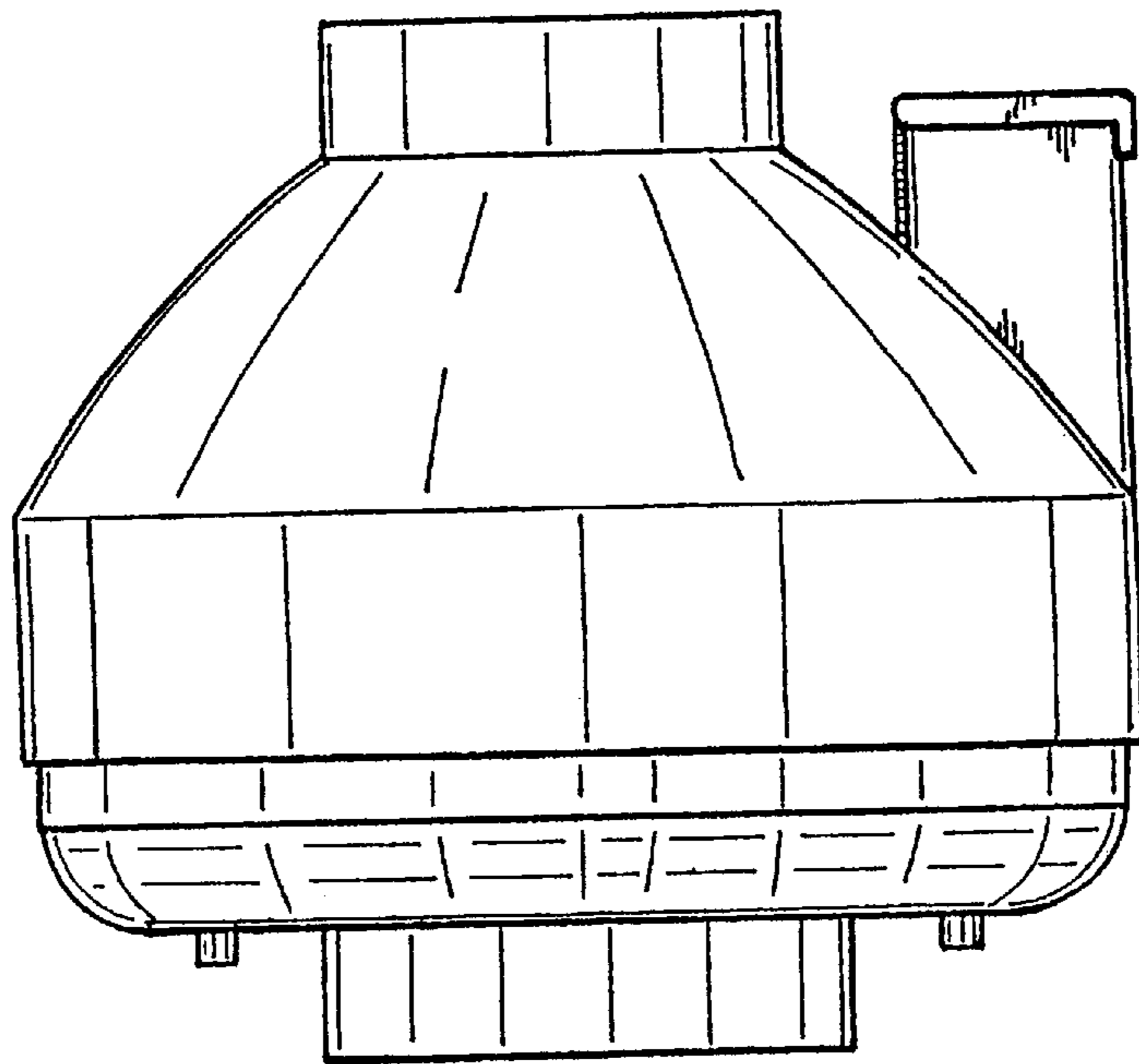


Fig. 5

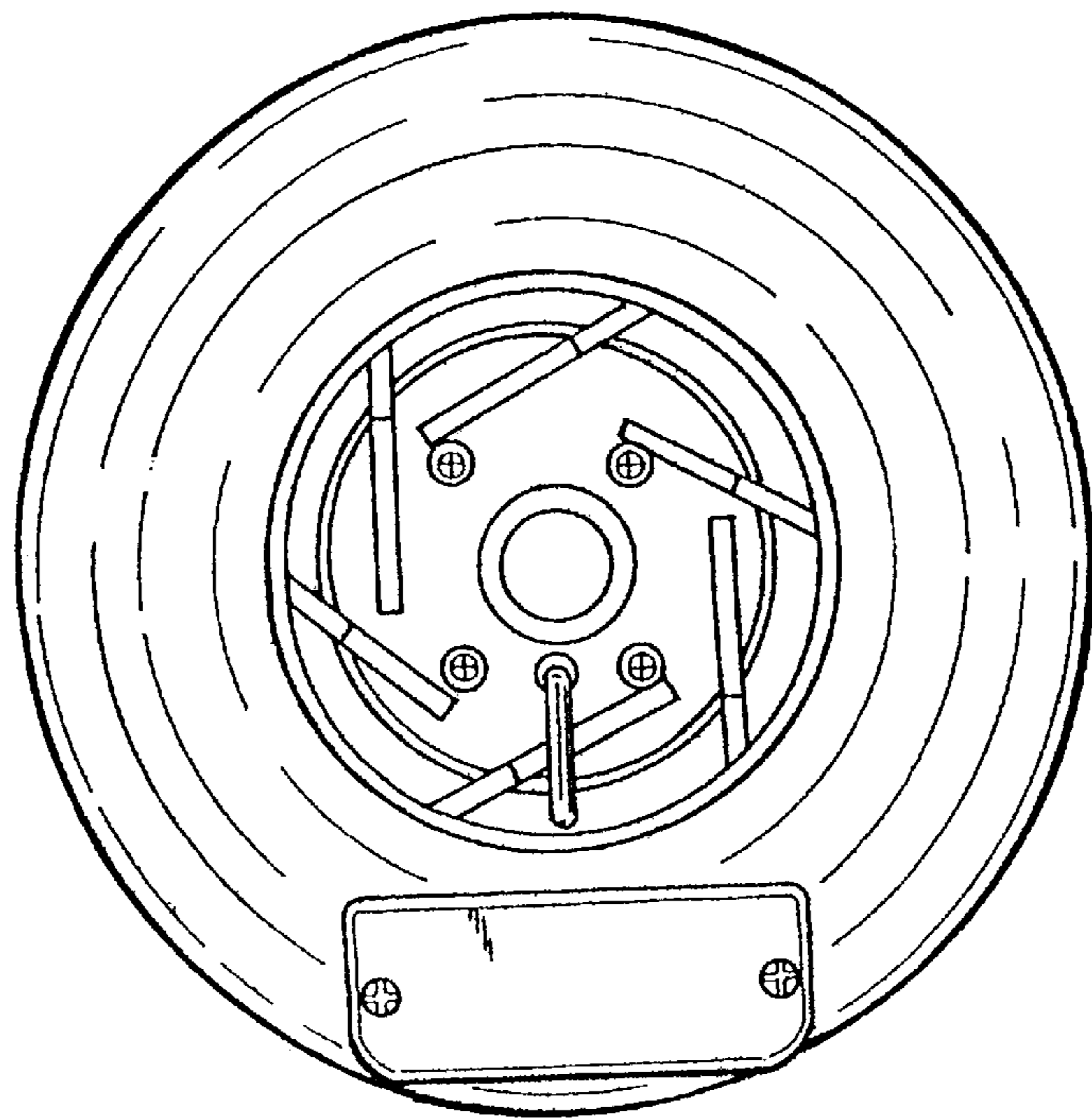


Fig. 6

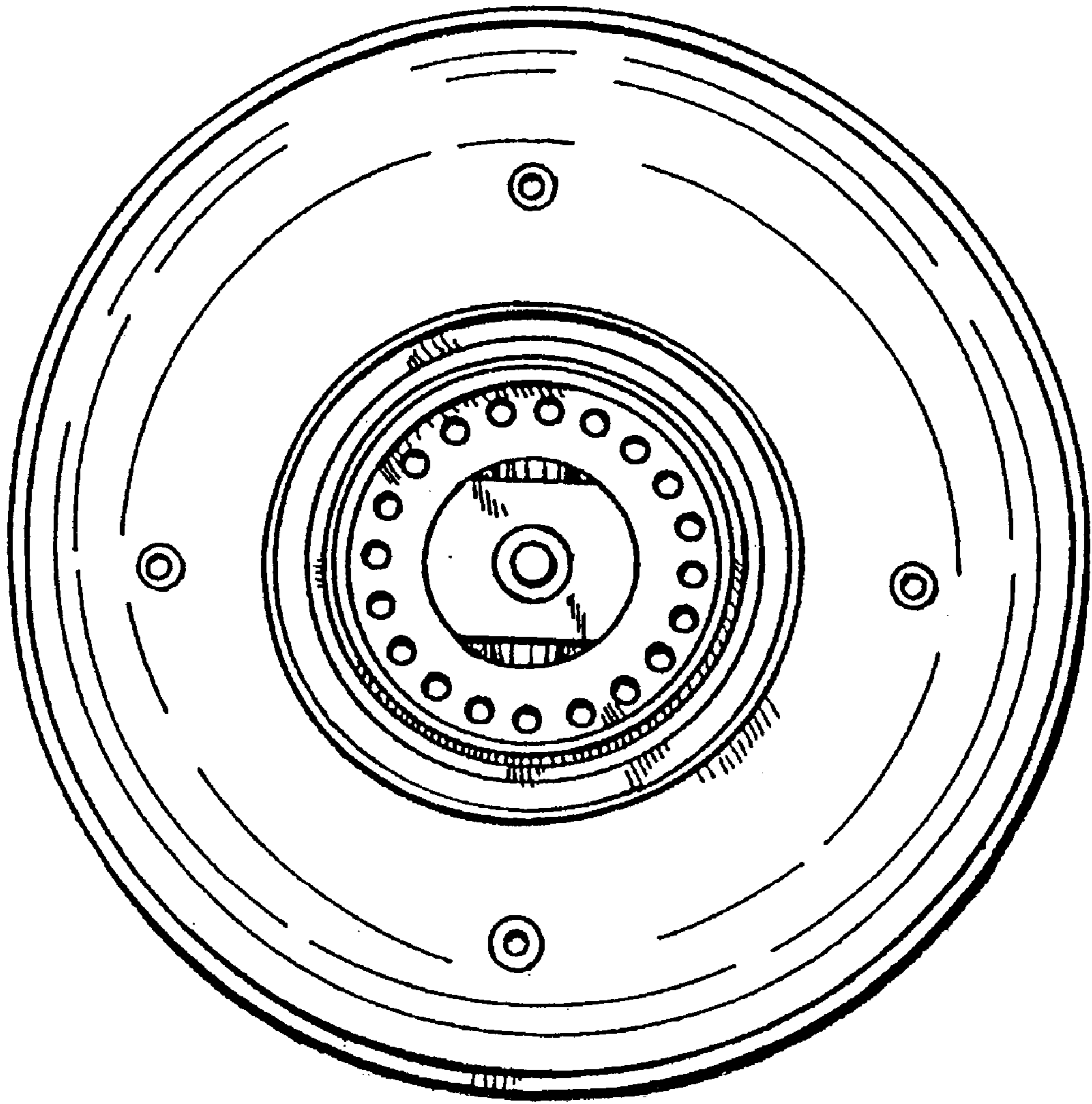


Fig. 7