



US00D437040S

(12) **United States Design Patent**  
**Soller et al.**

(10) **Patent No.:** **US D437,040 S**  
(45) **Date of Patent:** **\*\* Jan. 30, 2001**

(54) **VOLATILE EMITTING LAMP**

*Primary Examiner*—Lisa Lichtenstein

(75) Inventors: **Douglas A. Soller**, Mt. Pleasant; **Steven B. Mineau**, Waterford; **Stephen B. Leonard**, Caledonia, all of WI (US); **Jack B. Hough**, Chicago, IL (US)

(57) **CLAIM**

The ornamental design for a volatile emitting lamp, as shown and described.

(73) Assignee: **S. C. Johnson & Son, Inc.**, Racine, WI (US)

**DESCRIPTION**

(\*\*) Term: **14 Years**

FIG. 1 is a front perspective view from above and to one side of a volatile emitting lamp showing a first embodiment of the new design.

(21) Appl. No.: **29/113,755**

FIG. 2 is a front elevational view of the lamp of FIG. 1, the back elevational view being identical thereto.

(22) Filed: **Nov. 10, 1999**

FIG. 3 is a right side elevational view of the lamp of FIG. 1, the left side elevational view being identical thereto.

(51) **LOC (7) Cl.** ..... **23-04**

(52) **U.S. Cl.** ..... **D23/366**

(58) **Field of Search** ..... D23/366–369;  
D26/93–112, 9, 22, 11; 261/DIG. 65; 239/58,  
59, 55; 422/123

FIG. 4 is a top plan view of the lamp of FIG. 1.

FIG. 5 is a top plan view of a second embodiment of the new design. The side views and front views are identical to those of embodiment 1.

FIG. 6 is a top plan view of a third embodiment of the new design. The front and sides are identical to the view shown in FIG. 1.

(56) **References Cited**

**U.S. PATENT DOCUMENTS**

- D. 134,402 \* 11/1942 Ross ..... D26/105
- D. 254,867 \* 4/1980 Marsh ..... D23/366
- D. 324,099 \* 2/1992 Weick ..... D23/366

FIG. 7 is a top plan view of a fourth embodiment of the new design. The front and sides are views identical to those shown in embodiment 1; and,

FIG. 8 is a top plan view of a fourth embodiment of the new design, identical in all views to the embodiment of FIG. 1 except that a third alternative shape of the ventilation holes is specified.

**OTHER PUBLICATIONS**

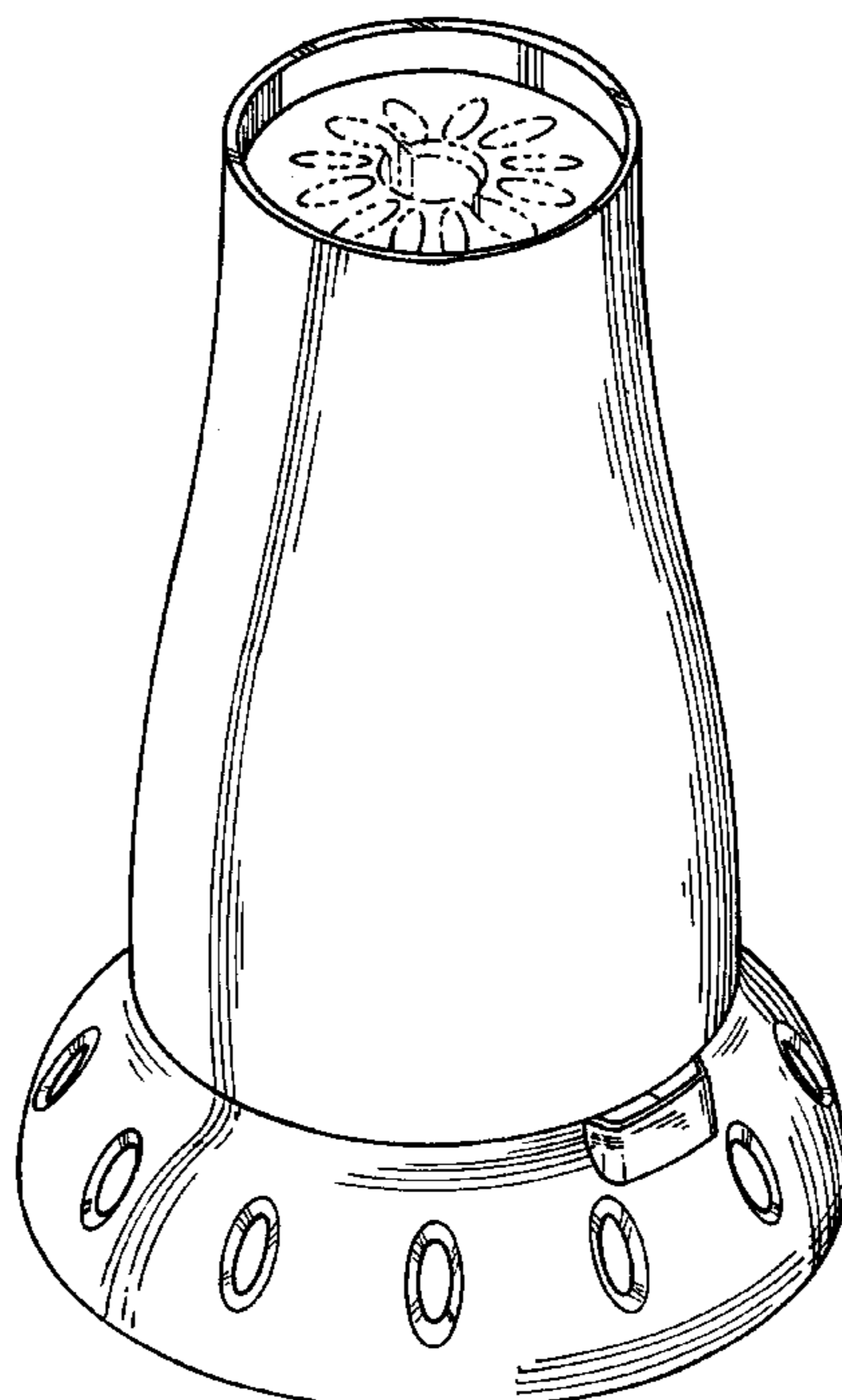
1 page Advertisement for Phillips Natural Aromas Aromatherapy System, manufactured for Noralco Consumer Products Company, a Division of Phillips Electronics North America Corporation, Stamford, Ct. and 5 pages of copies of photographs taken of a sample of the Aromatherapy System.

The sole difference between the embodiments resides in the ventilation holes in the top of the lamp.

The broken line showing of environmental structure is for illustrative purposes only and forms no part of the claimed design.

\* cited by examiner

**1 Claim, 5 Drawing Sheets**



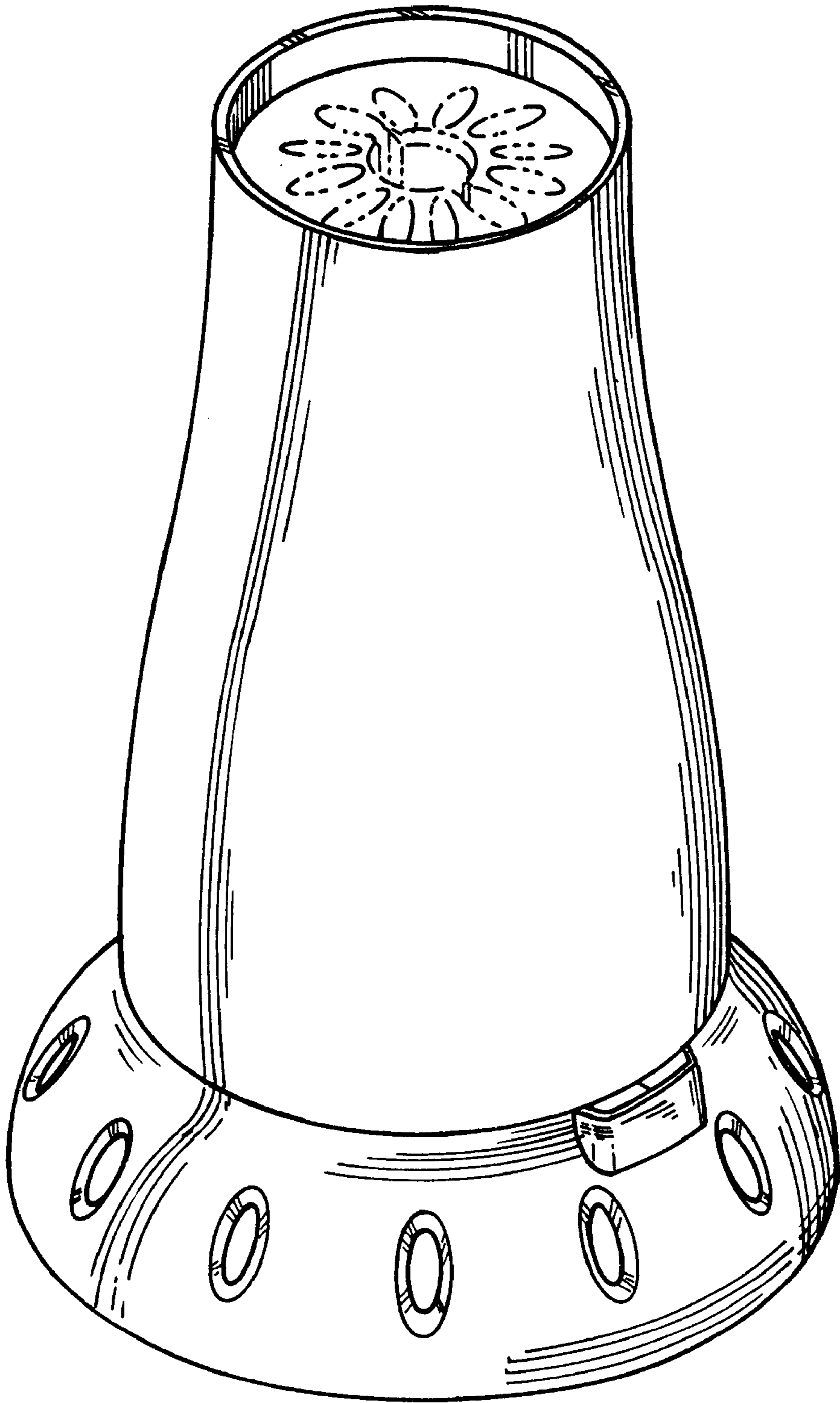


FIG. 1

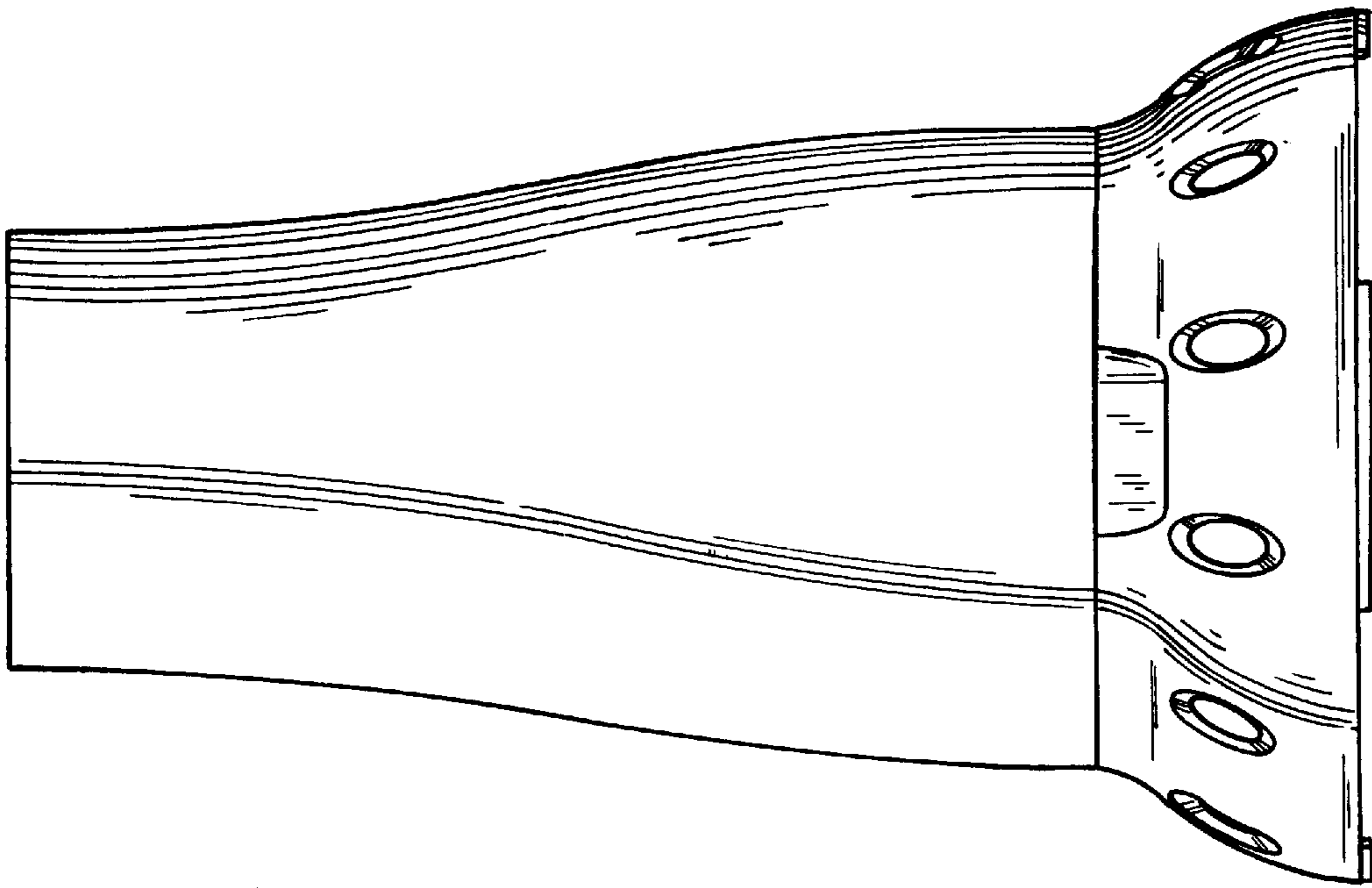


FIG. 3

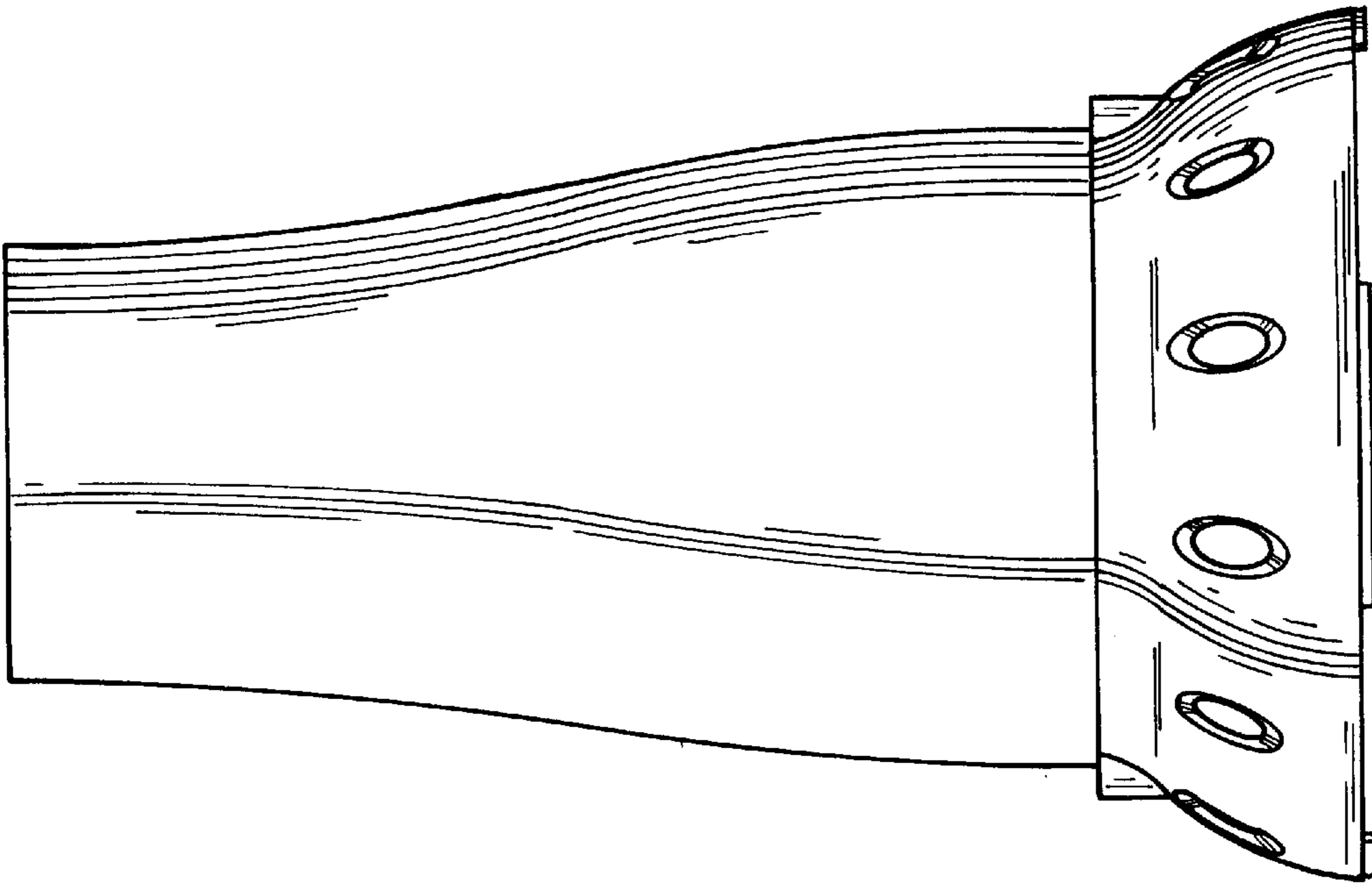


FIG. 2

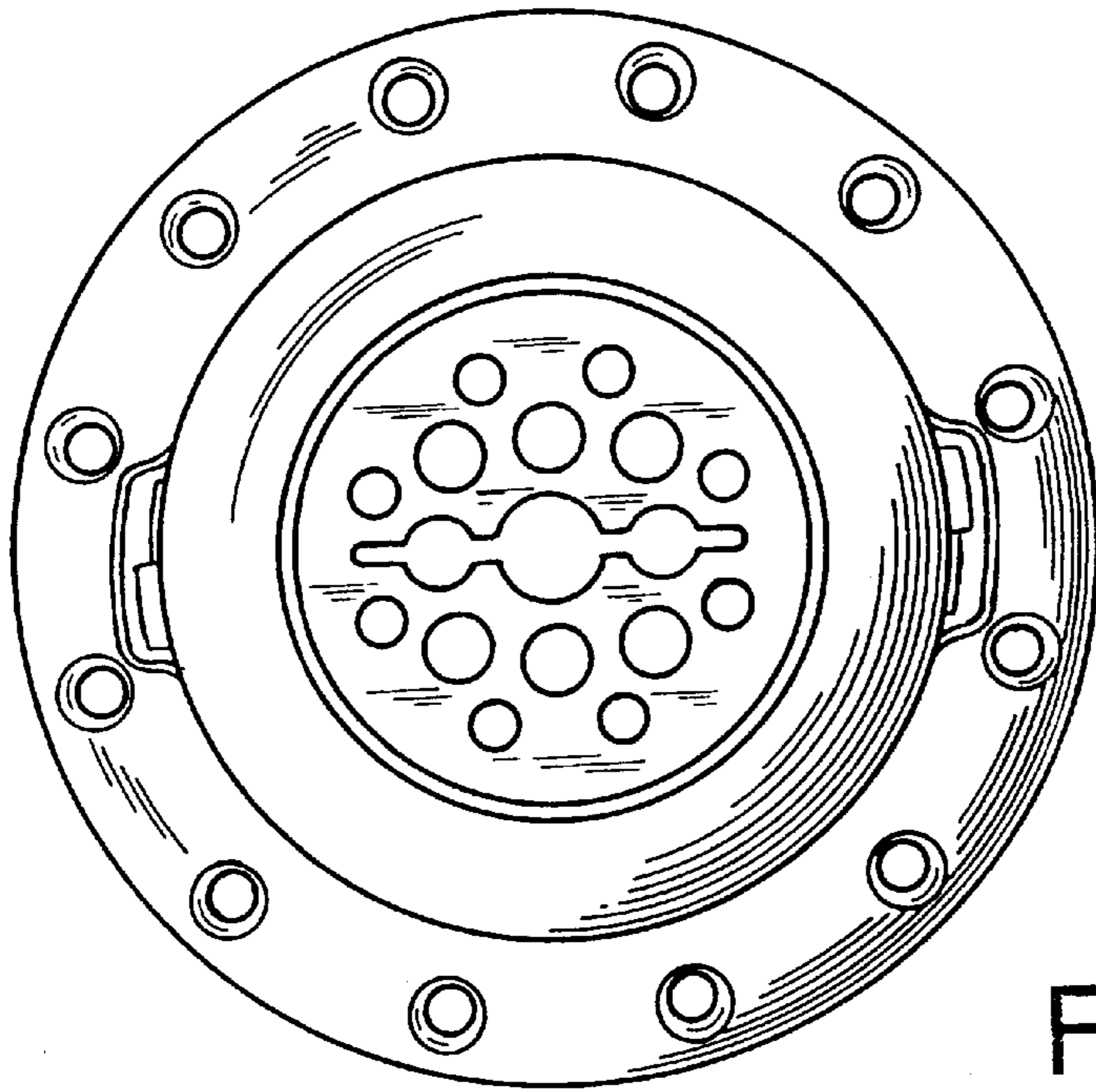


Fig. 7

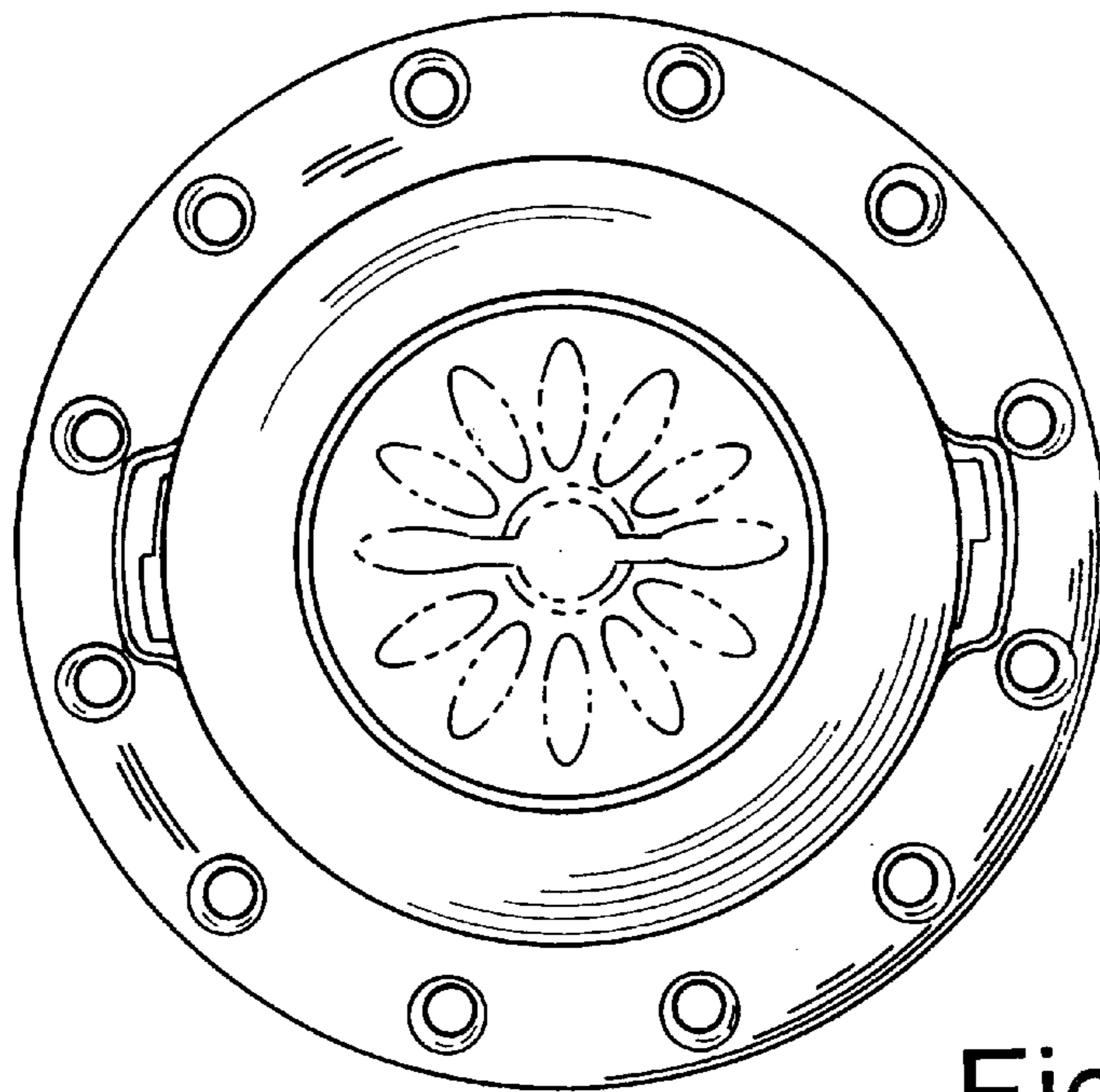


Fig. 4.

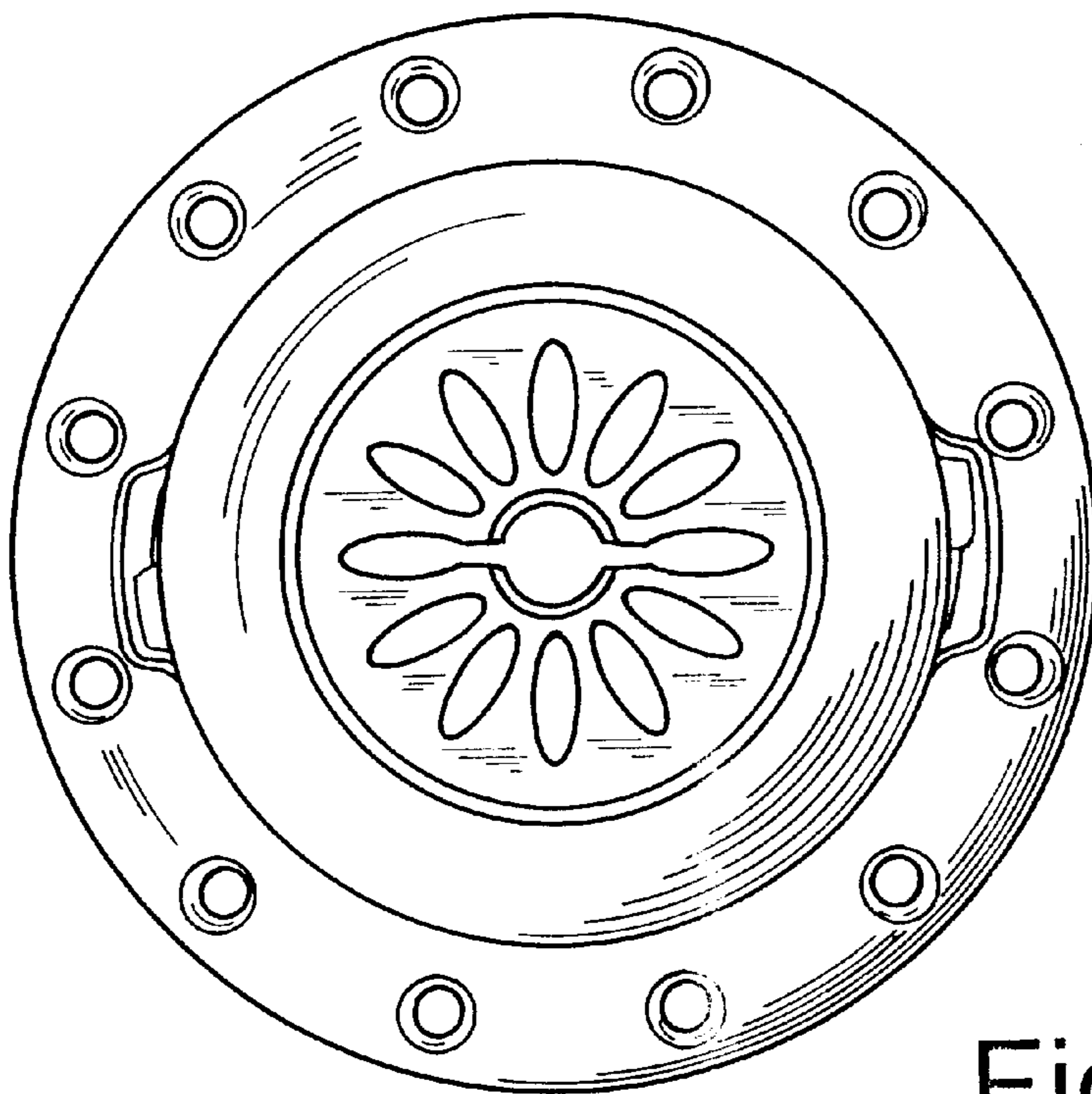


Fig. 5

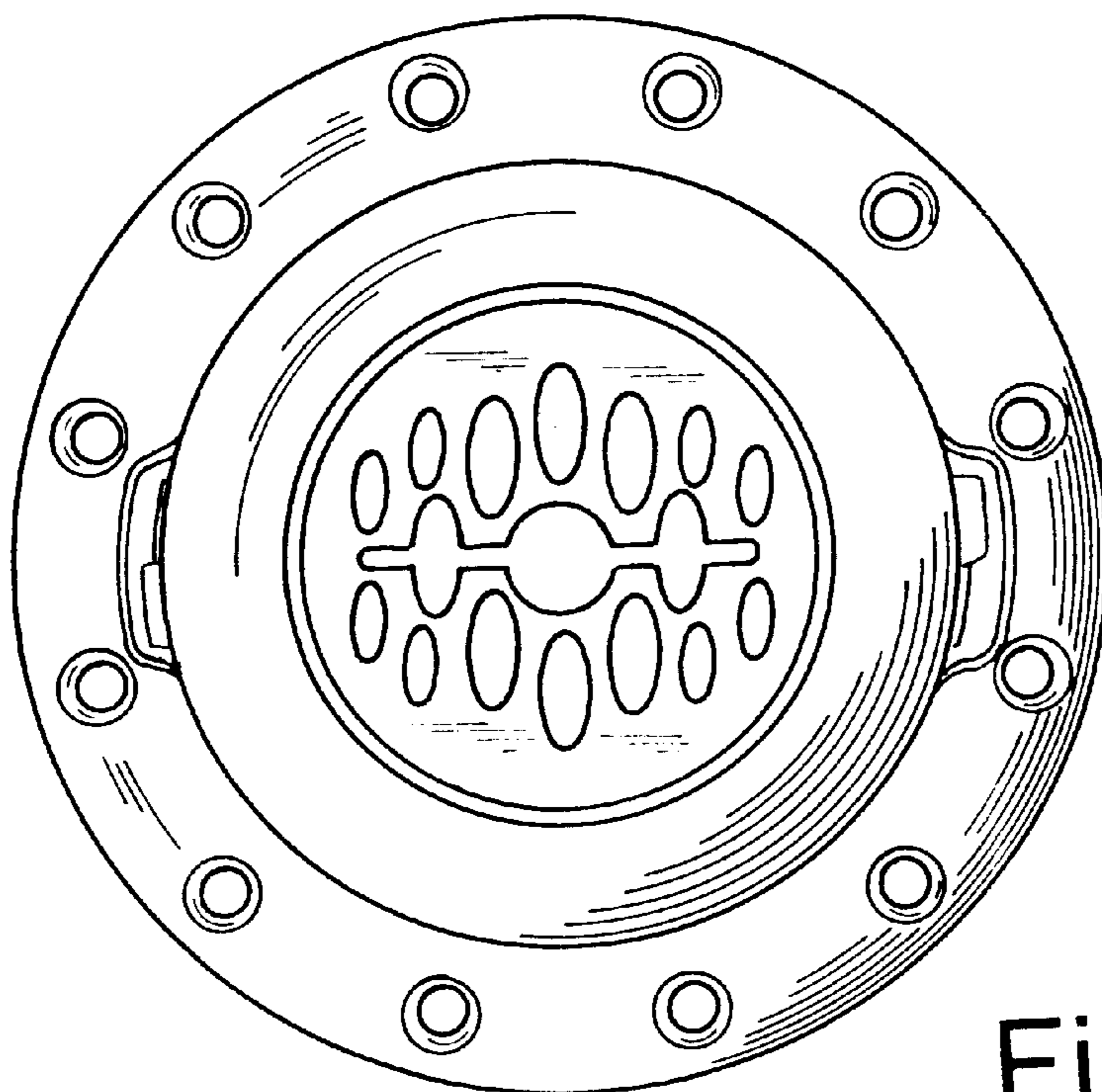


Fig. 6

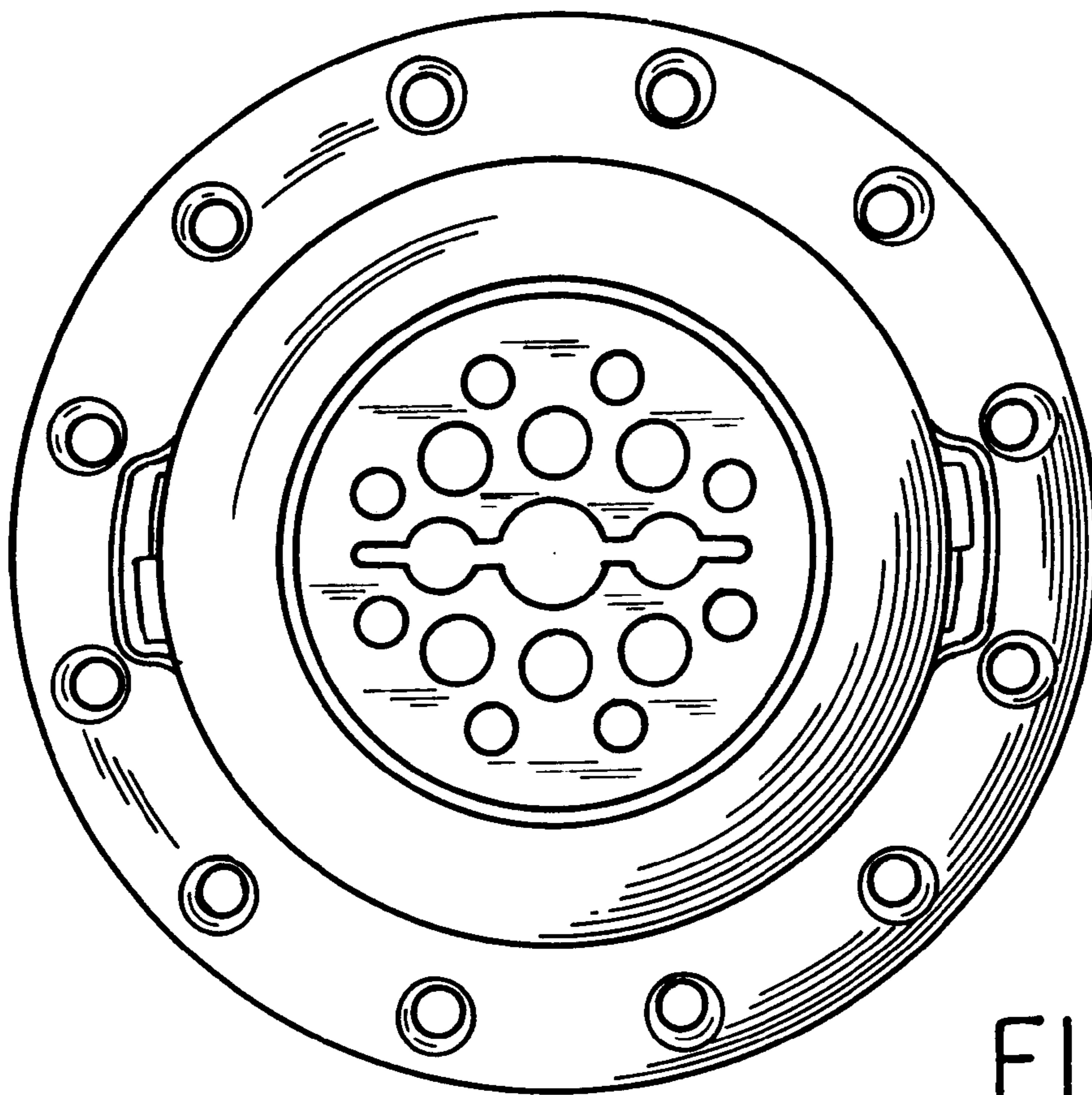


FIG. 8