



US00D437038S

(12) **United States Design Patent**
Chuan

(10) **Patent No.:**

US D437,038 S

(45) **Date of Patent:**

**** Jan. 30, 2001**

(54) **IONIC AIR PURIFIER**

5,702,507 * 12/1997 Wang 96/97

(75) Inventor: **Fu Cheng Chuan**, Taipei (TW)

* cited by examiner

(73) Assignee: **Funix Company**, Hong Kong (HK)

Primary Examiner—Lisa Lichtenstein

(**) Term: **14 Years**

(74) *Attorney, Agent, or Firm*—Jensen & Puntigam, PS

(21) Appl. No.: **29/119,969**

(57) **CLAIM**

(22) Filed: **Mar. 10, 2000**

The ornamental design for an ionic air purifier, as shown and described herein.

(30) **Foreign Application Priority Data**

DESCRIPTION

Nov. 11, 1999 (GB) 2088053

FIG. 1 is an isometric view of the ornamental ionic air purifier;

(51) **LOC (7) Cl.** **23-04**

FIG. 2 is a side elevation view thereof, the opposite side being a mirror image of that shown;

(52) **U.S. Cl.** **D23/364**

FIG. 3 is a front elevation view thereof;

(58) **Field of Search** D23/364; 96/97, 96/96, 224, 16; 361/231

FIG. 4 is a rear elevation view thereof;

FIG. 5 is a top plan view thereof; and,

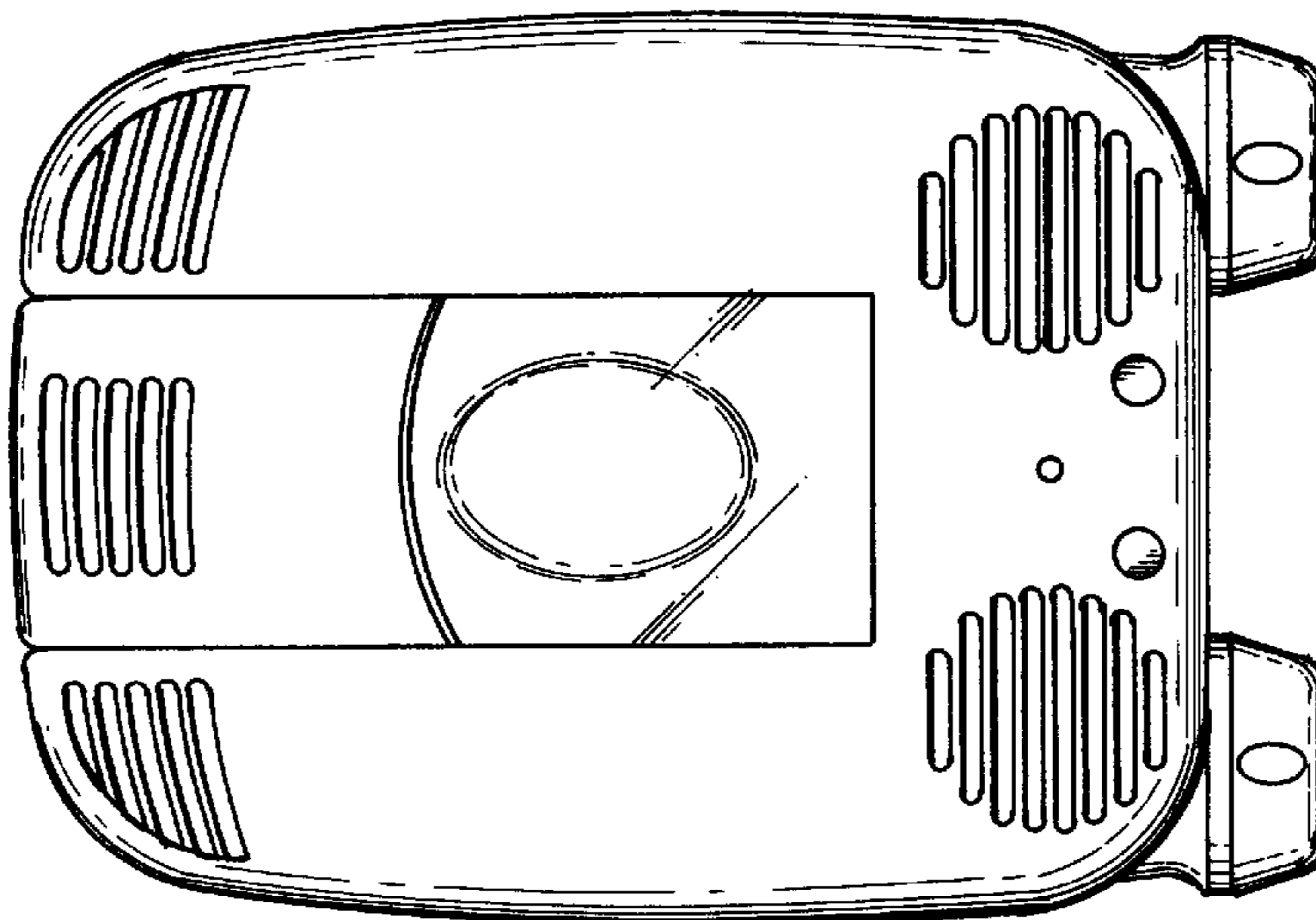
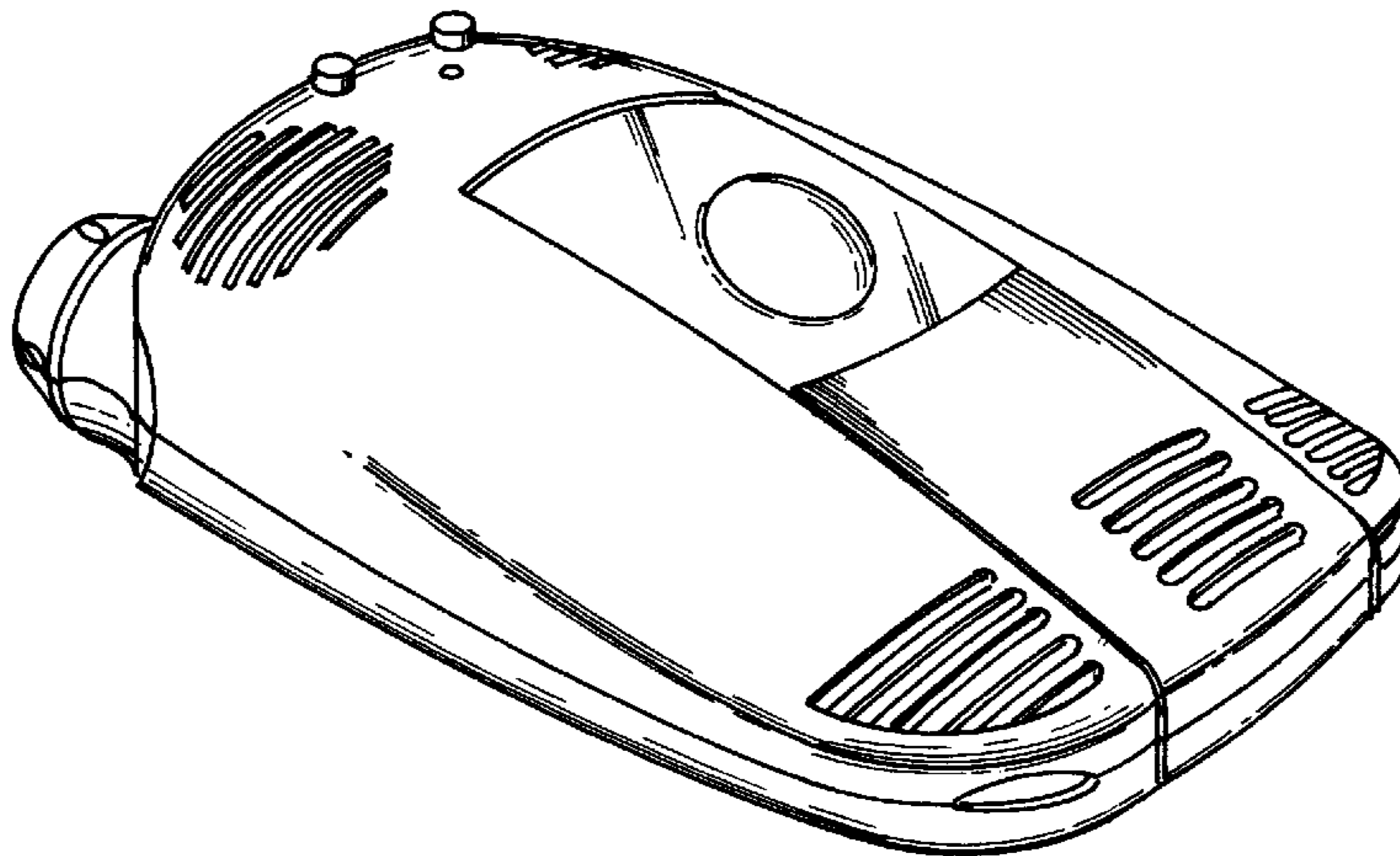
FIG. 6 is a bottom plan view thereof.

(56) **References Cited**

U.S. PATENT DOCUMENTS

D. 357,311 * 4/1995 Yehl D23/364

1 Claim, 2 Drawing Sheets



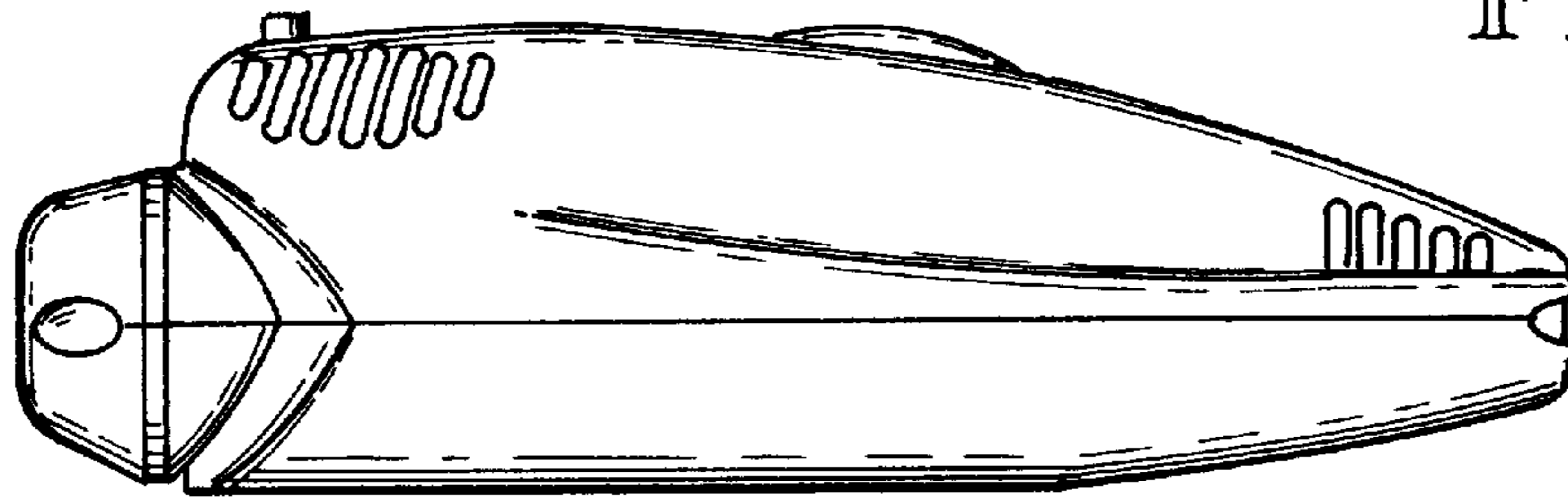
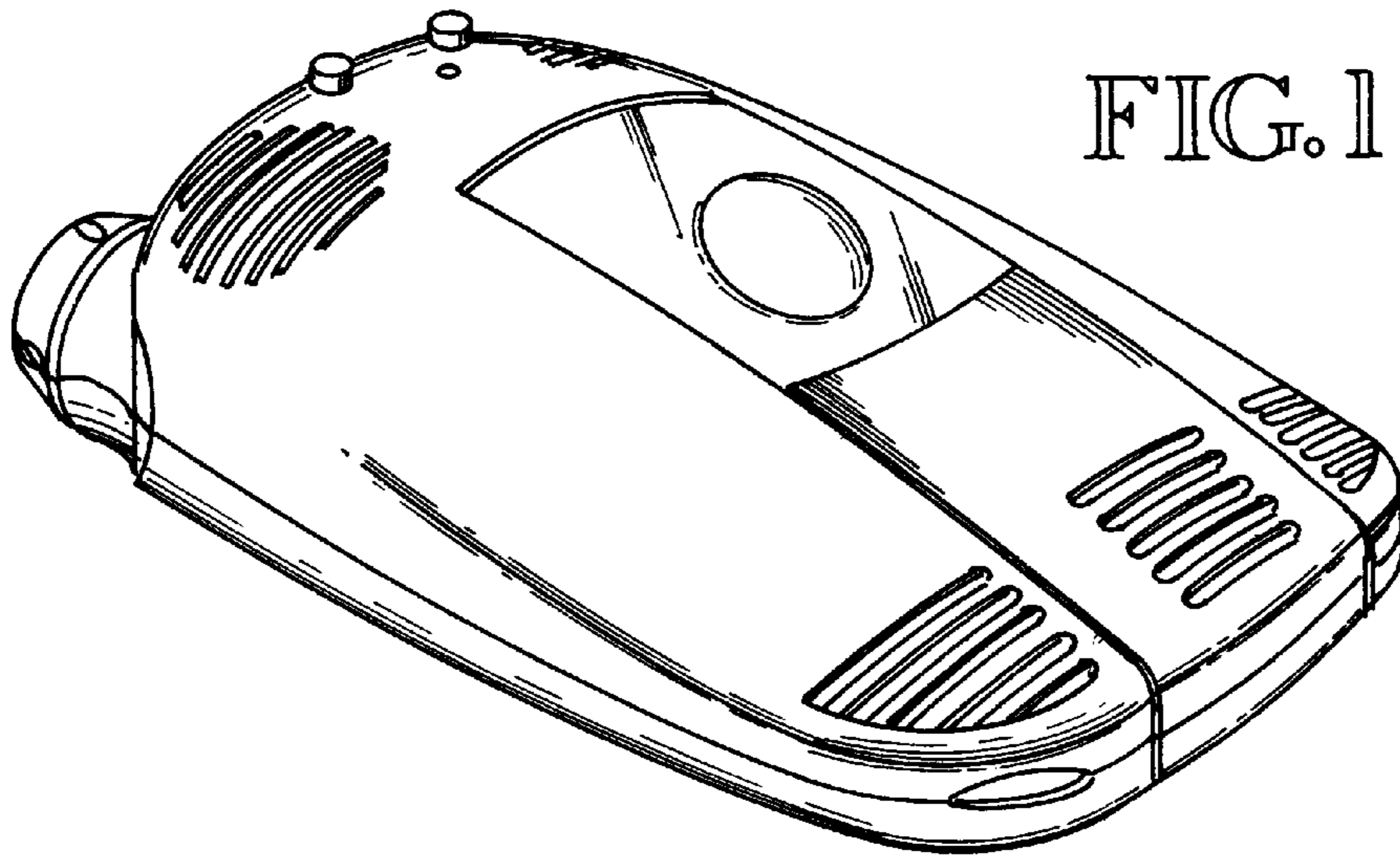
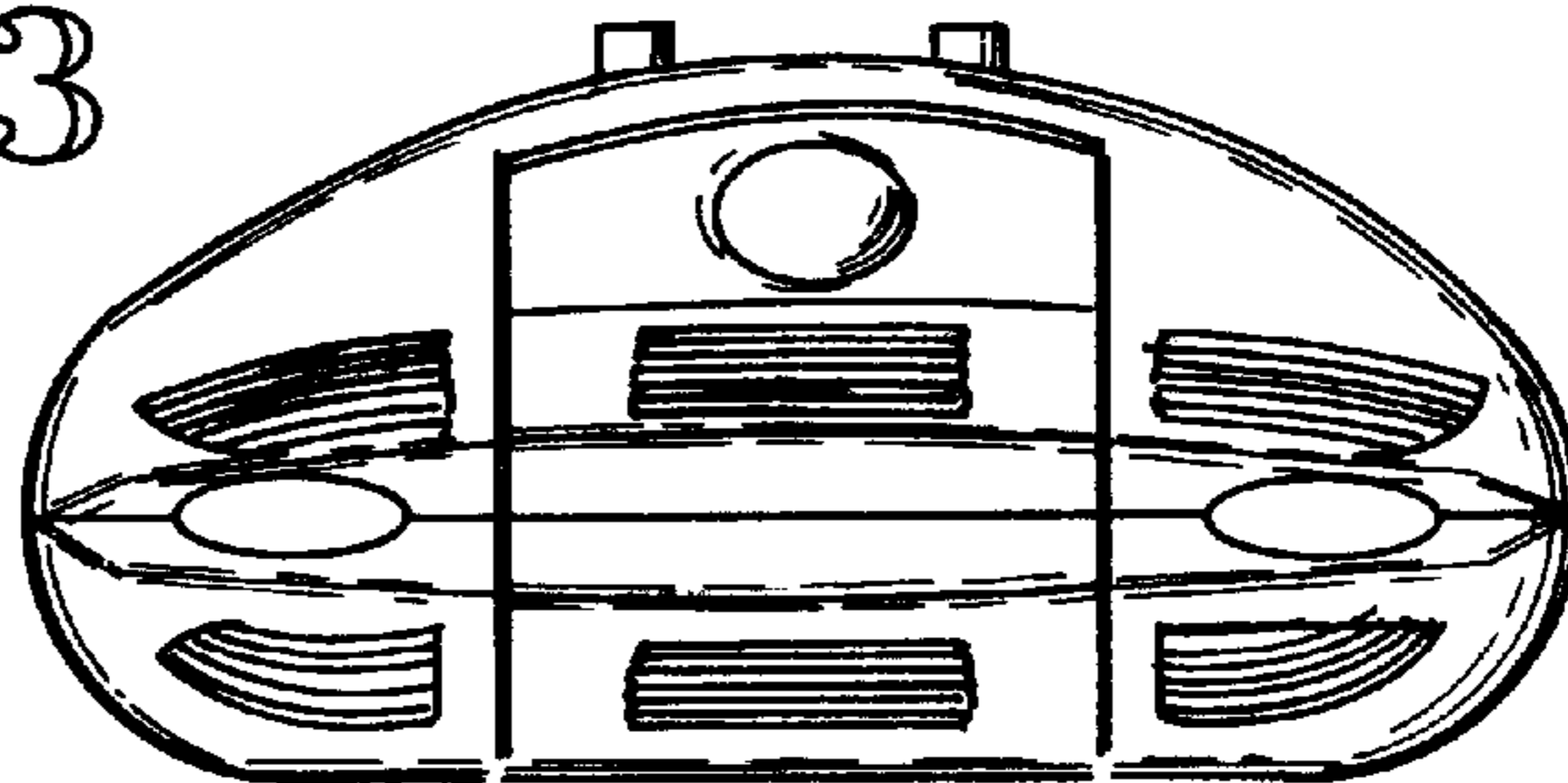


FIG. 3



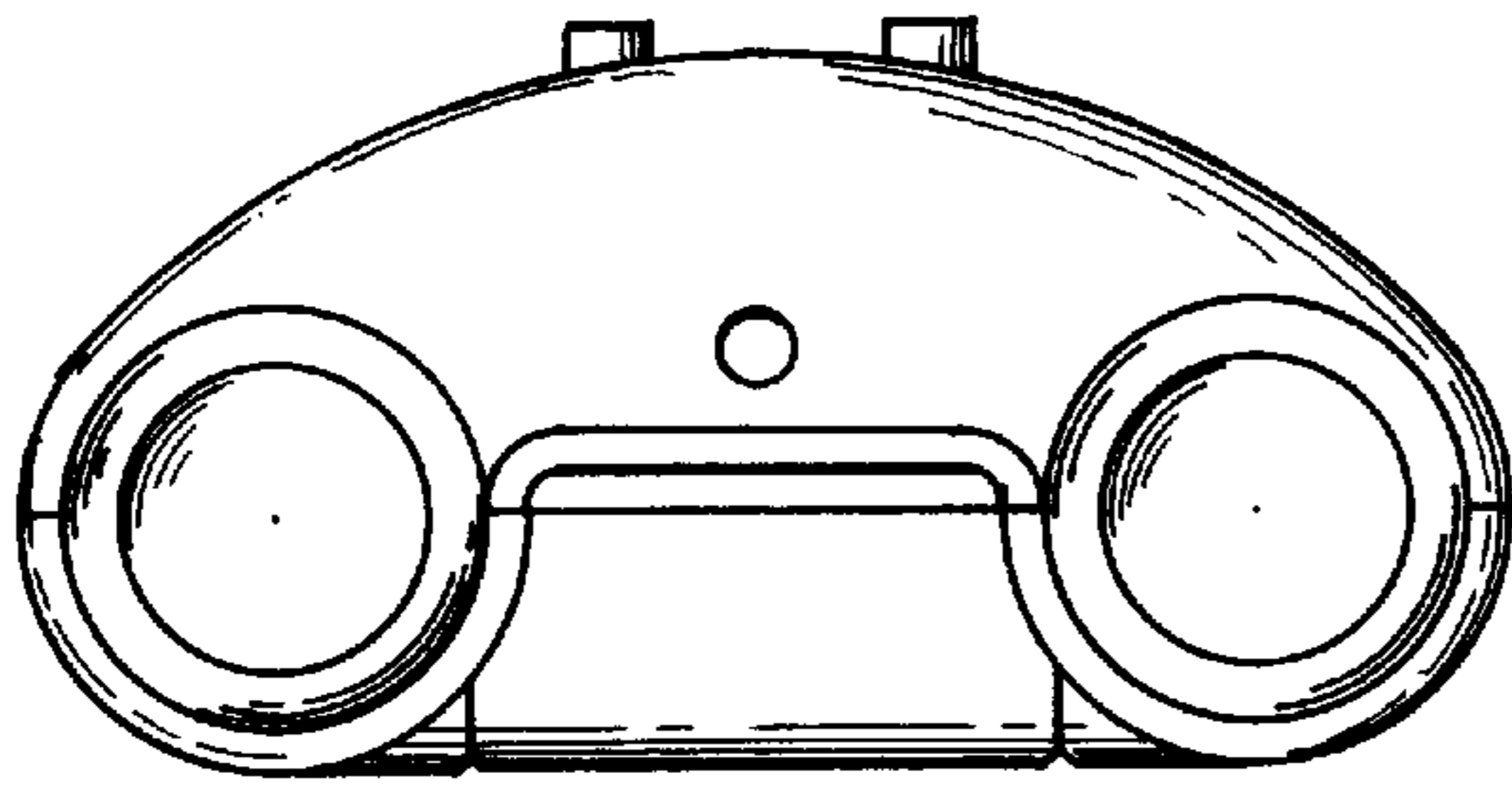


FIG. 4

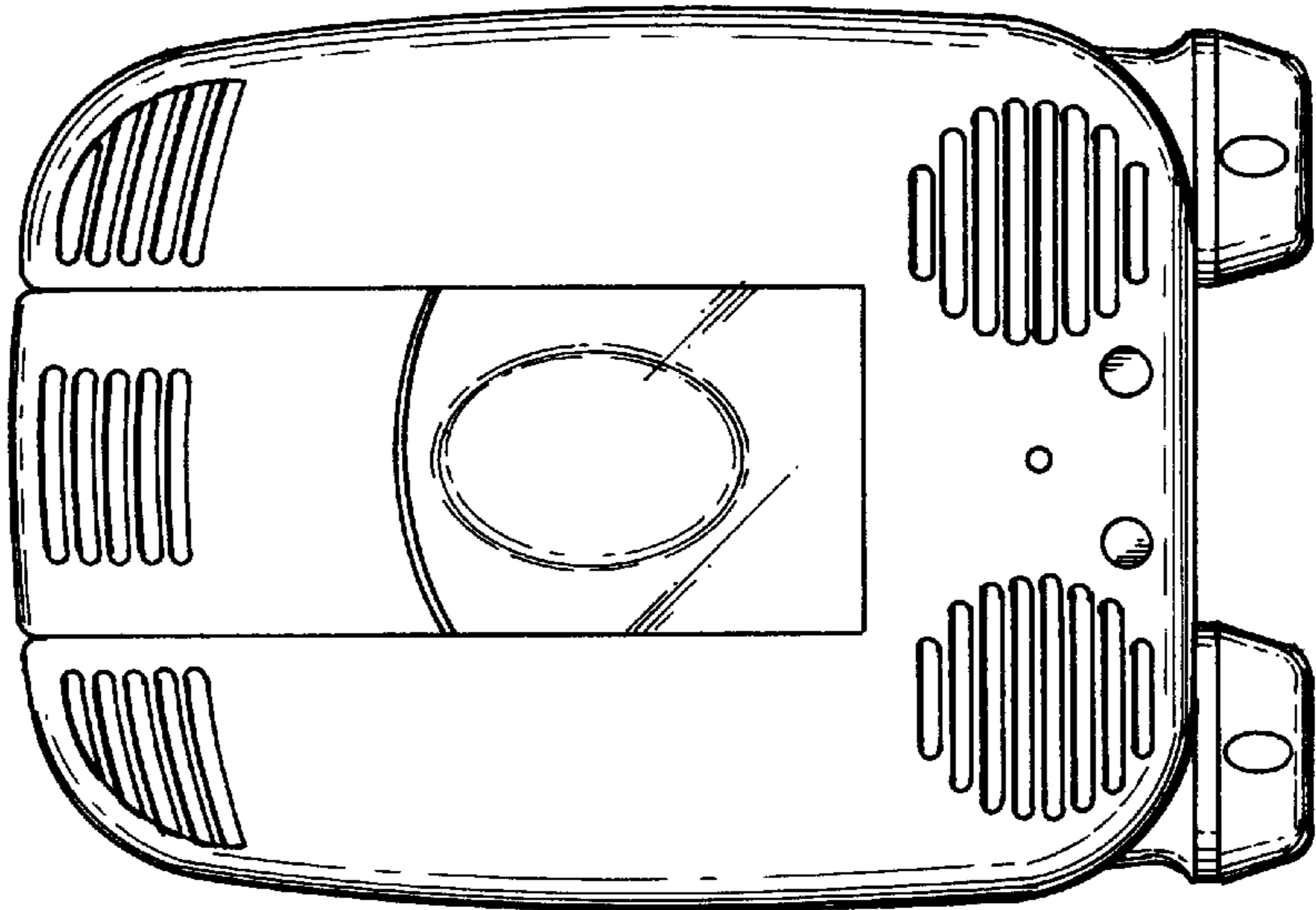


FIG. 5

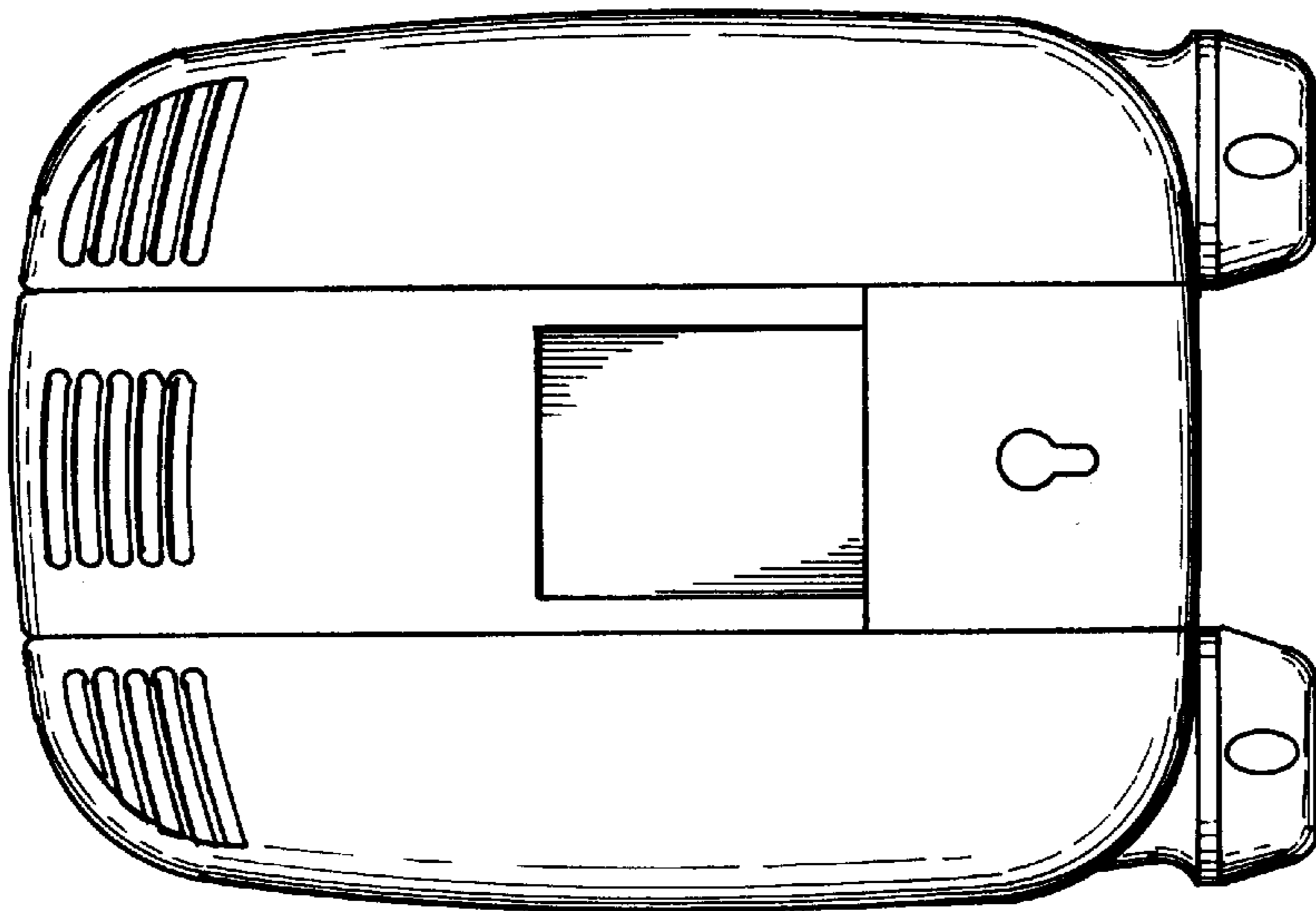


FIG. 6