



US00D437036S

(12) **United States Design Patent**  
**Chen**

(10) **Patent No.:** **US D437,036 S**

(45) **Date of Patent:** **\*\* Jan. 30, 2001**

(54) **PARABOLIC ELECTRIC HEATER**

(76) Inventor: **Lee-Yeh Chen**, No.12, Lane 296,Sec. 3  
Chung Ching N. Rd, Taipei (TW)

(\*\*) Term: **14 Years**

(21) Appl. No.: **29/120,957**

(22) Filed: **Mar. 30, 2000**

(51) **LOC (7) Cl.** ..... **23-03**

(52) **U.S. Cl.** ..... **D23/336; D23/337**

(58) **Field of Search** ..... D23/332, 335-41;  
392/432-4, 426, 365-9, 373-6, 352-3;  
312/236, 244; 248/175; 211/181.1, 182,  
347; D6/487, 499

(56) **References Cited**

**U.S. PATENT DOCUMENTS**

D. 374,071 \* 9/1996 Wang et al. .... D23/332

D. 385,022 \* 10/1997 Glenn et al. .... D23/337

D. 391,355 \* 2/1998 Hedriugton ..... D23/337  
2,100,923 \* 11/1937 Schmidt et al. .

\* cited by examiner

*Primary Examiner*—B. J. Bullock

(74) *Attorney, Agent, or Firm*—Bacon & Thomas, PLLC

(57) **CLAIM**

The ornamental design for a parabolic electric heater, as shown and described.

**DESCRIPTION**

FIG. 1 is a perspective view of a parabolic electric heater showing my new design;

FIG. 2 is a front elevation view thereof;

FIG. 3 is a rear elevation view thereof;

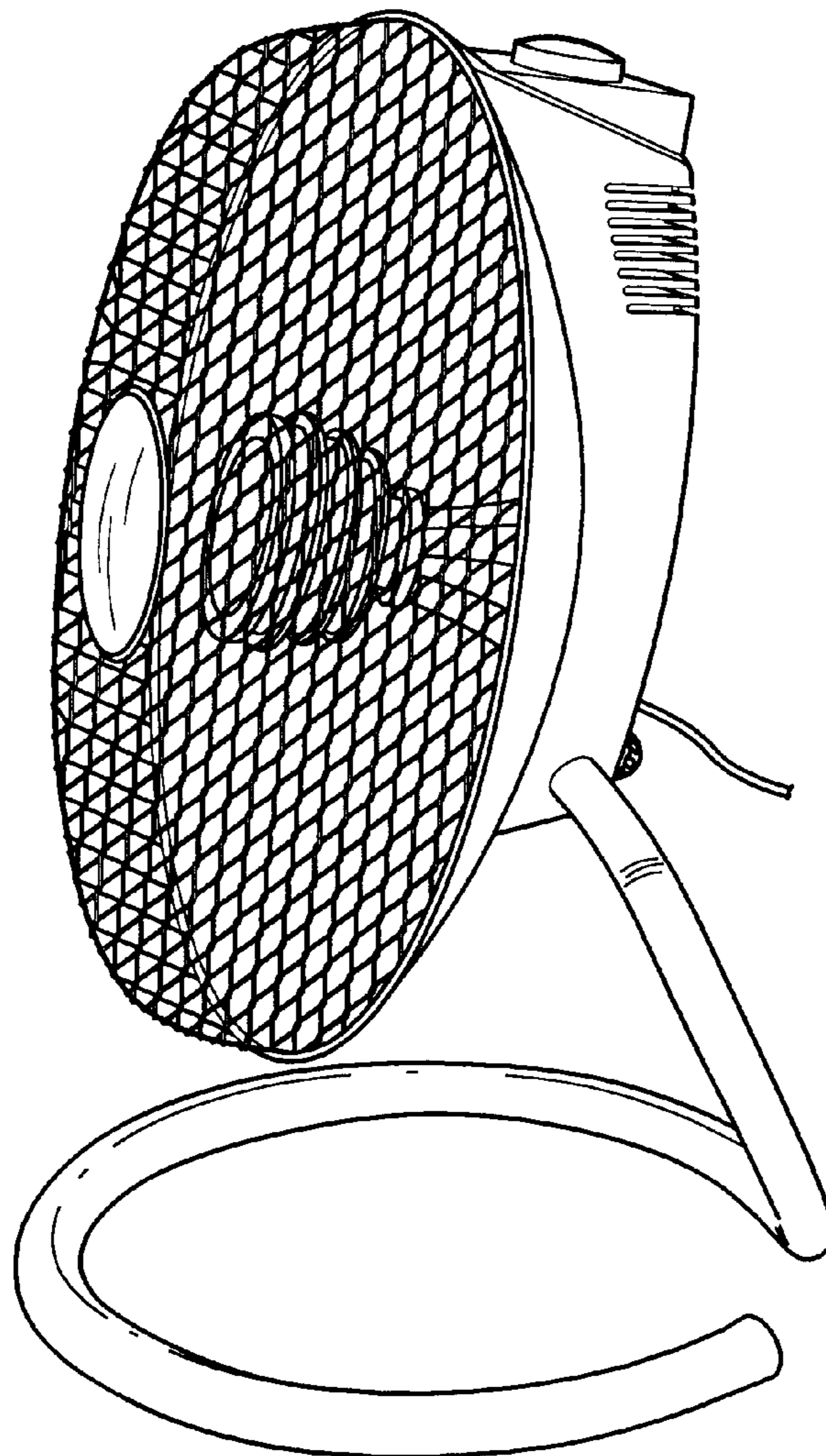
FIG. 4 is a left side elevation view thereof;

FIG. 5 is a right side elevation view thereof;

FIG. 6 is a top plan view thereof; and,

FIG. 7 is a bottom plan view thereof.

**1 Claim, 4 Drawing Sheets**



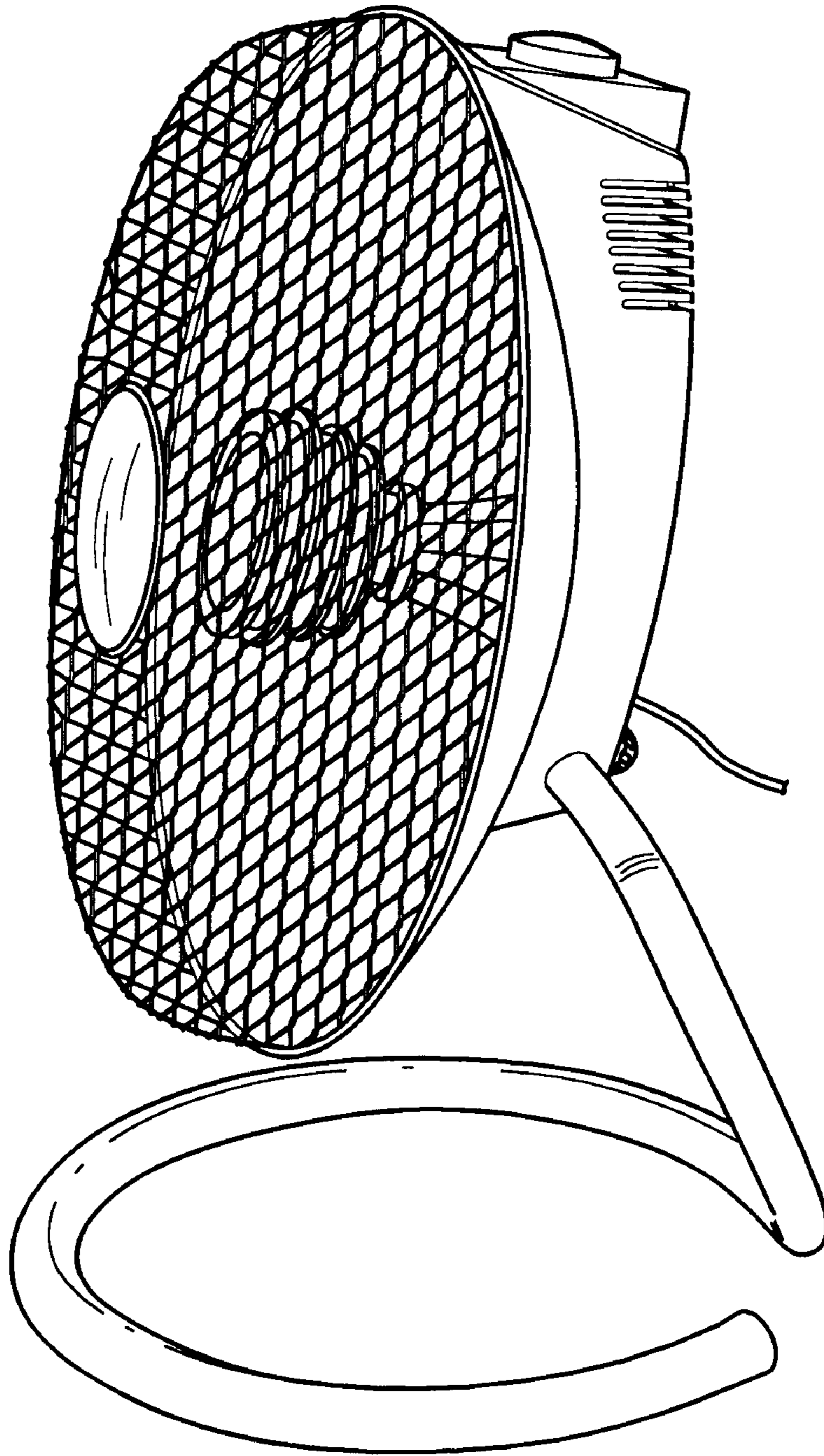


FIG. 1

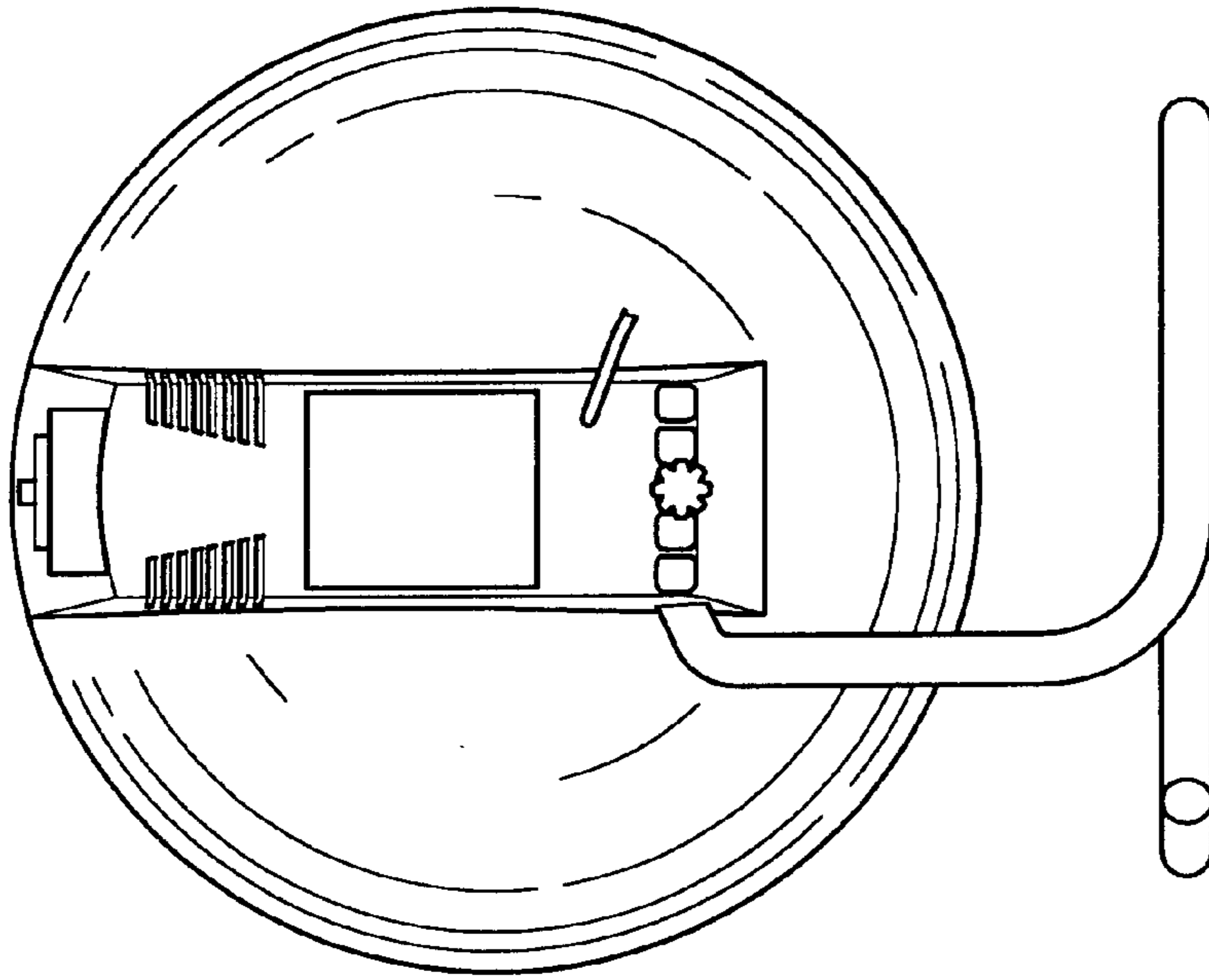


FIG.3

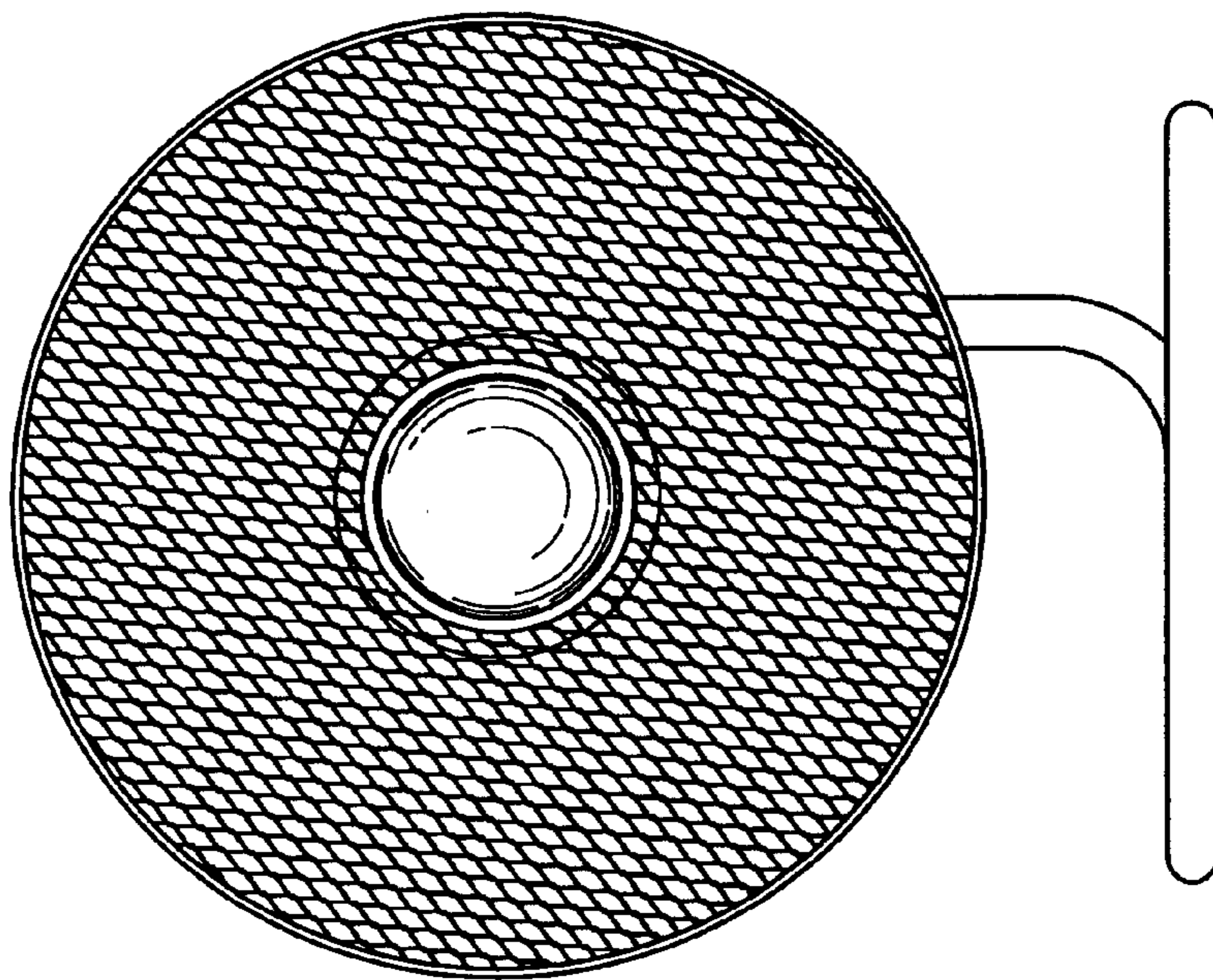


FIG.2

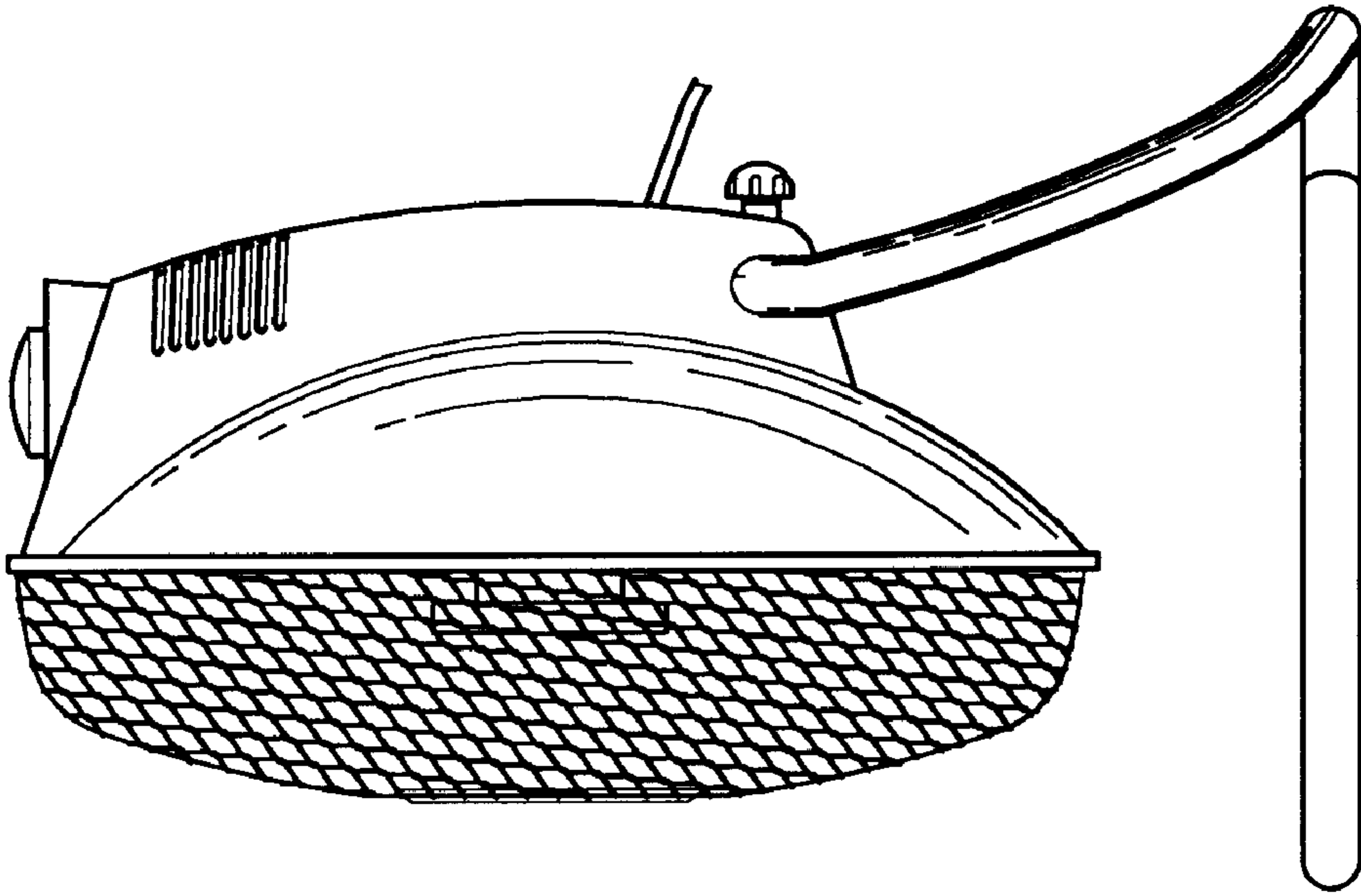


FIG.5

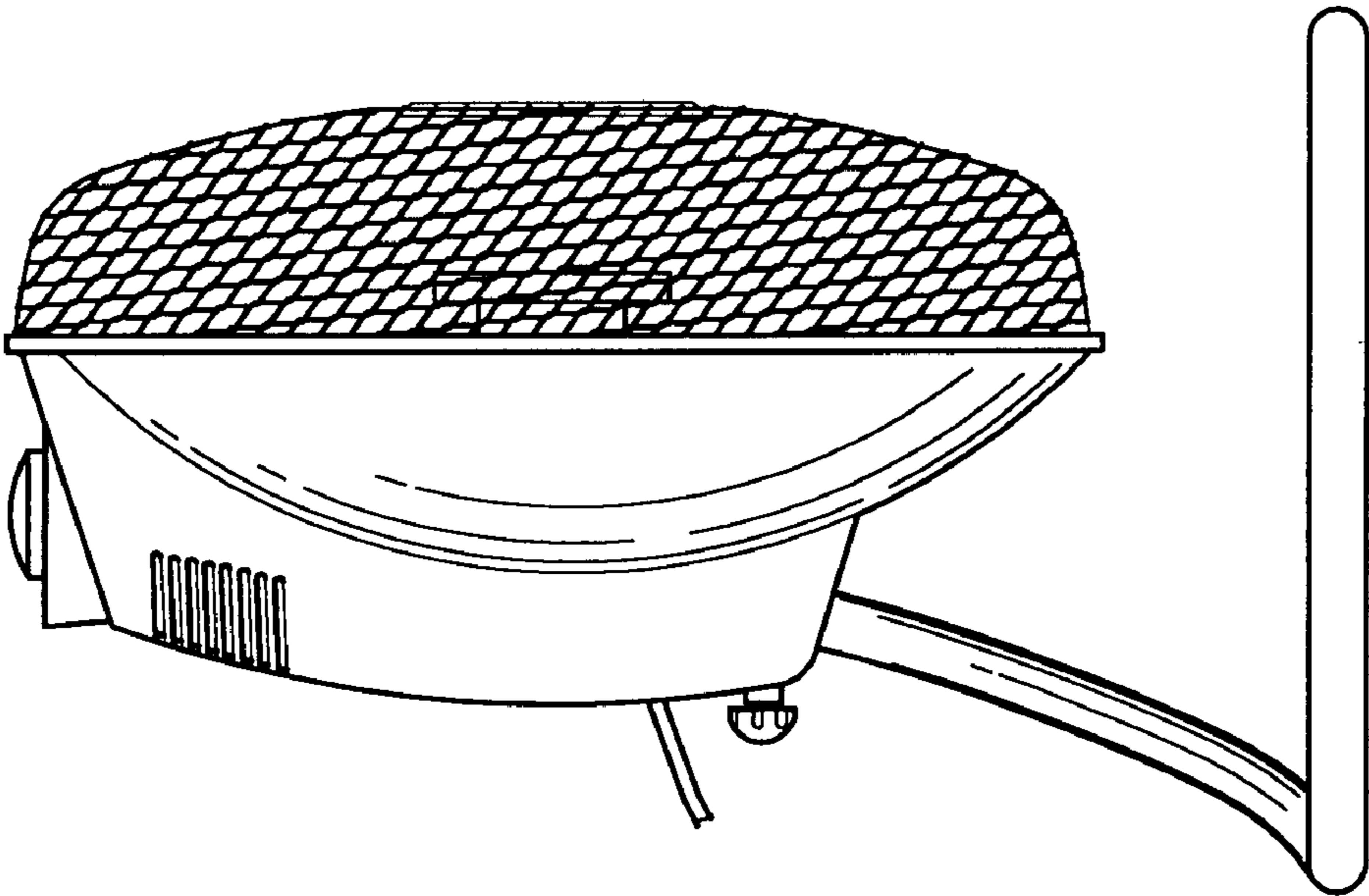


FIG.4

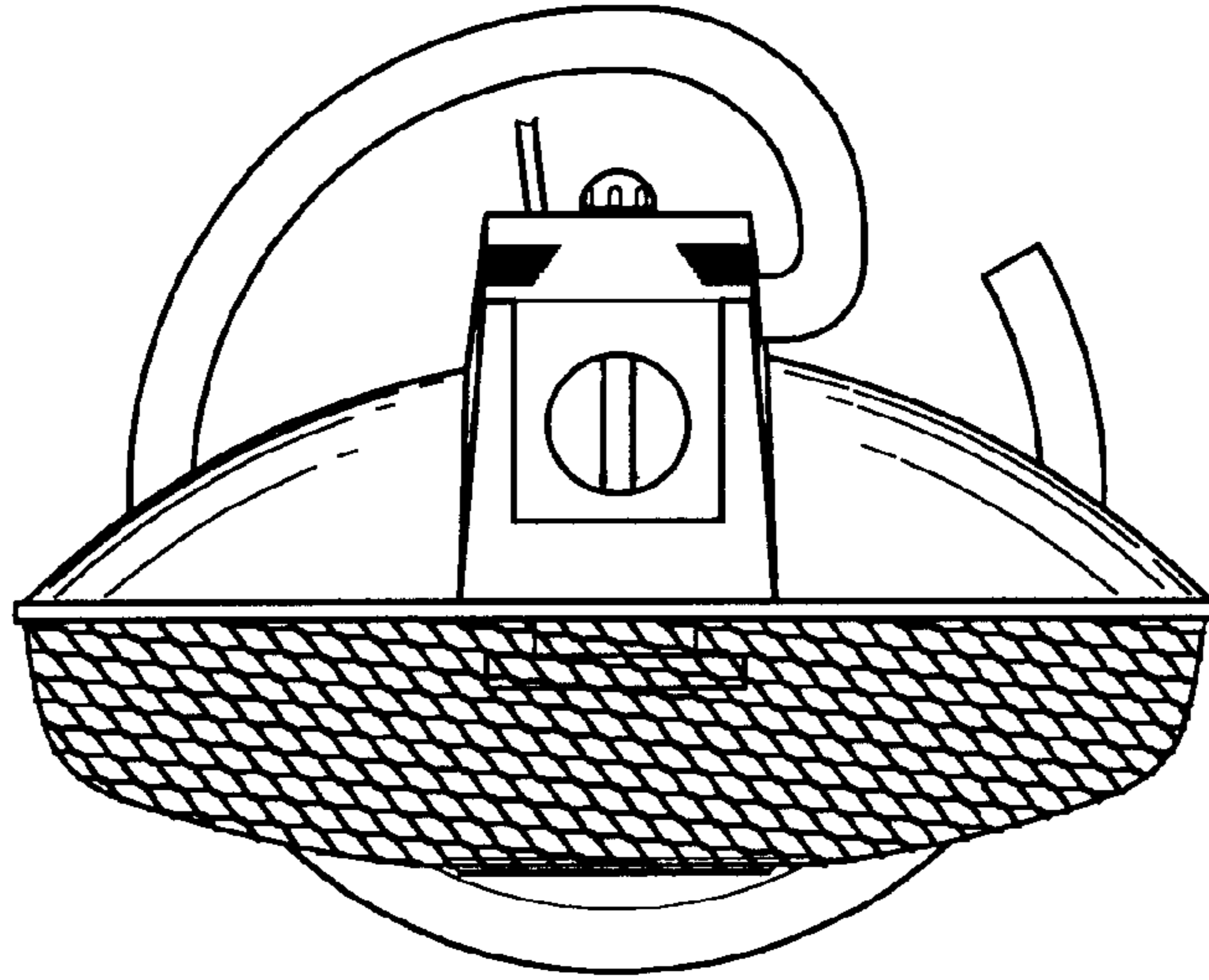


FIG. 6

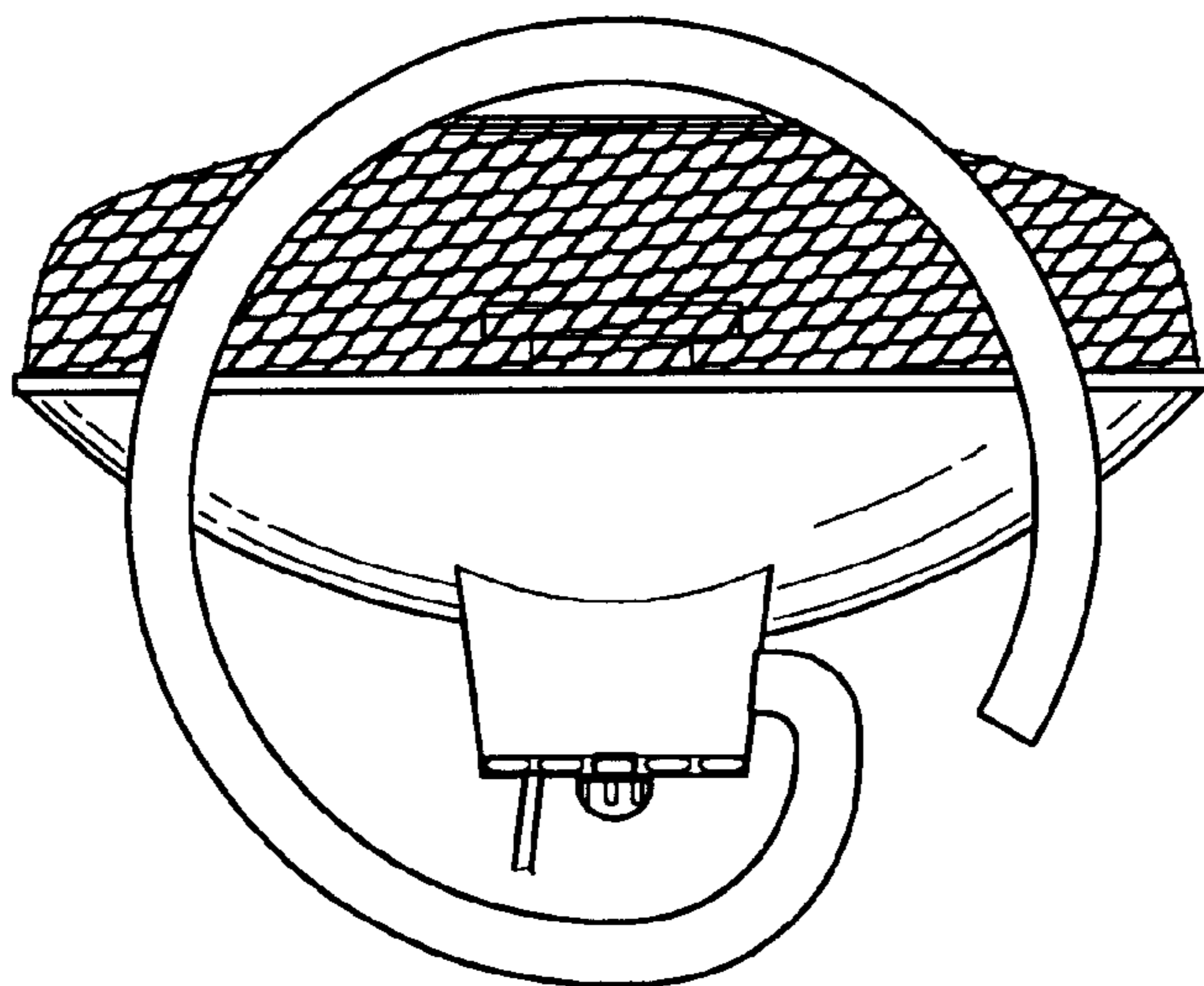


FIG. 7