



US00D437034S

(12) **United States Design Patent**  
**Stout, Jr.**

(10) **Patent No.:** **US D437,034 S**

(45) **Date of Patent:** **\*\* Jan. 30, 2001**

(54) **GASKET**

(75) **Inventor:** **William K. Stout, Jr.,** Mason, OH  
(US)

(73) **Assignee:** **Eastern Sheet Metal, Inc.,** Cincinnati,  
OH (US)

(\* ) **Notice:** This patent is subject to a terminal dis-  
claimer.

(\*\*) **Term:** **14 Years**

D. 402,354	*	12/1998	Strong et al. ....	D23/259
D. 407,802		4/1999	Hatfield et al. .	
1,565,918		12/1925	Fitzgerald .	
1,570,974		1/1926	Stevens .	
2,544,108		3/1951	Richardson .	
2,930,635		3/1960	Woodling .	
3,955,834		5/1976	Ahlrot .	
4,007,941		2/1977	Stancati .	
4,050,703		9/1977	Tuvelsson et al. .	
5,405,174		4/1995	Sondén et al. .	
5,531,460		7/1996	Stefansson et al. .	
5,599,600		2/1997	Rau .	
5,649,662		7/1997	Krichau et al. .	

(21) **Appl. No.:** **29/105,243**

(22) **Filed:** **May 20, 1999**

(51) **LOC (7) Cl.** ..... **23-01**

(52) **U.S. Cl.** ..... **D23/269**

(58) **Field of Search** ..... D23/259, 262,  
D23/263, 269, 386, 387, 393; D8/382;  
285/95, 109, 294.1, 331, 336, 417, 424,  
910, 918; 277/602, 607, 608, 625, 626

**FOREIGN PATENT DOCUMENTS**

13987	1/1974	(SE) .
17788	4/1976	(SE) .
19819	4/1977	(SE) .
25473	4/1980	(SE) .
25610	4/1980	(SE) .
26059	7/1980	(SE) .
26995	12/1980	(SE) .

**OTHER PUBLICATIONS**

*Ducts and Fittings* Product Brochure, Lindab Ltd.,  
Northampton, Great Britain (undated).

\* cited by examiner

*Primary Examiner*—Alan P. Douglas

*Assistant Examiner*—Reid Hecker

(74) *Attorney, Agent, or Firm*—Dinsmore & Shohl, LLP.

(56) **References Cited**

**U.S. PATENT DOCUMENTS**

D. 25,709	6/1896	Pratt .
D. 234,847	4/1975	Hoffman .
D. 273,702	5/1984	Strong et al. .
D. 360,018	7/1995	Sondén et al. .
D. 360,019	7/1995	Sondén et al. .
D. 360,020	7/1995	Sondén et al. .
D. 360,021	7/1995	Sondén et al. .
D. 361,829	8/1995	Sondén et al. .
D. 362,299	9/1995	Sondén et al. .
D. 362,300	9/1995	Sondén et al. .
D. 363,115	10/1995	Lennartsson .
D. 367,316	2/1996	Sondén et al. .
D. 368,304	3/1996	Morrison .
D. 377,829	2/1997	Andersen .
D. 383,053	9/1997	Schrader et al. .
D. 383,195	9/1997	Sondén et al. .
D. 383,196	9/1997	Sondén et al. .
D. 386,246	11/1997	Sondén et al. .

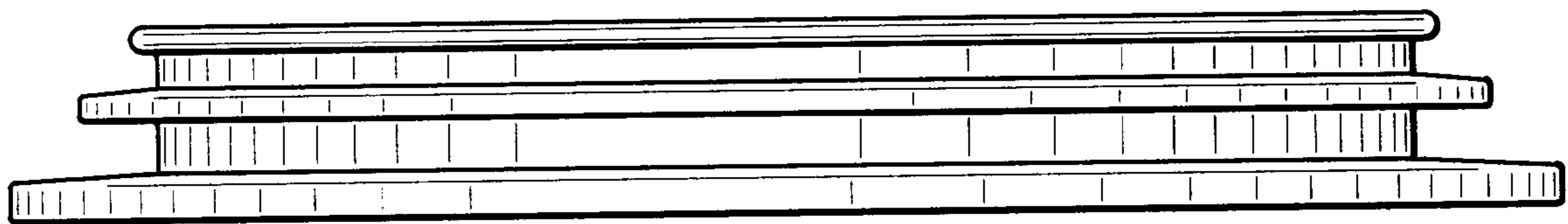
(57) **CLAIM**

I claim the ornamental design for a gasket, as shown and  
described.

**DESCRIPTION**

FIG. 1 is a front plan view of the gasket;  
FIG. 2 is a front perspective view of the gasket;  
FIG. 3 is a top plan view of the gasket; and,  
FIG. 4 is a bottom plan view of the gasket.

**1 Claim, 2 Drawing Sheets**



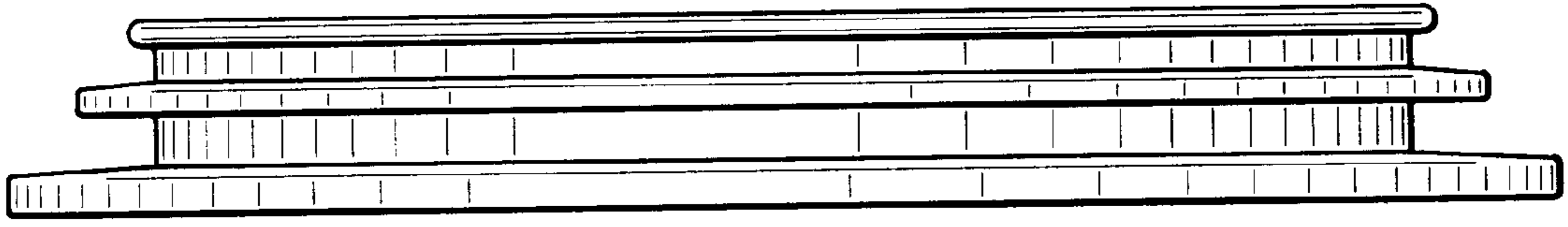


FIG. 1

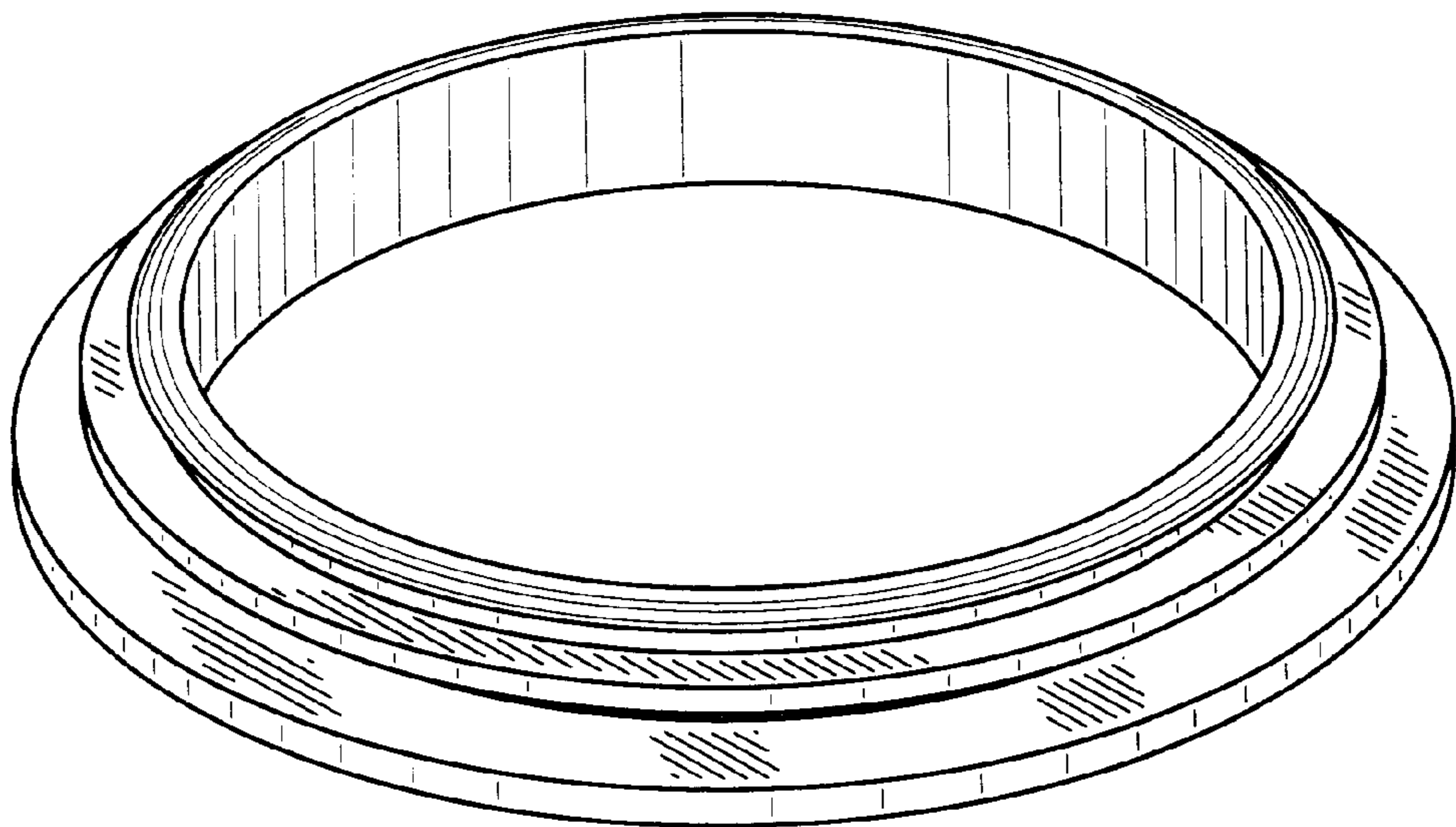


FIG. 2

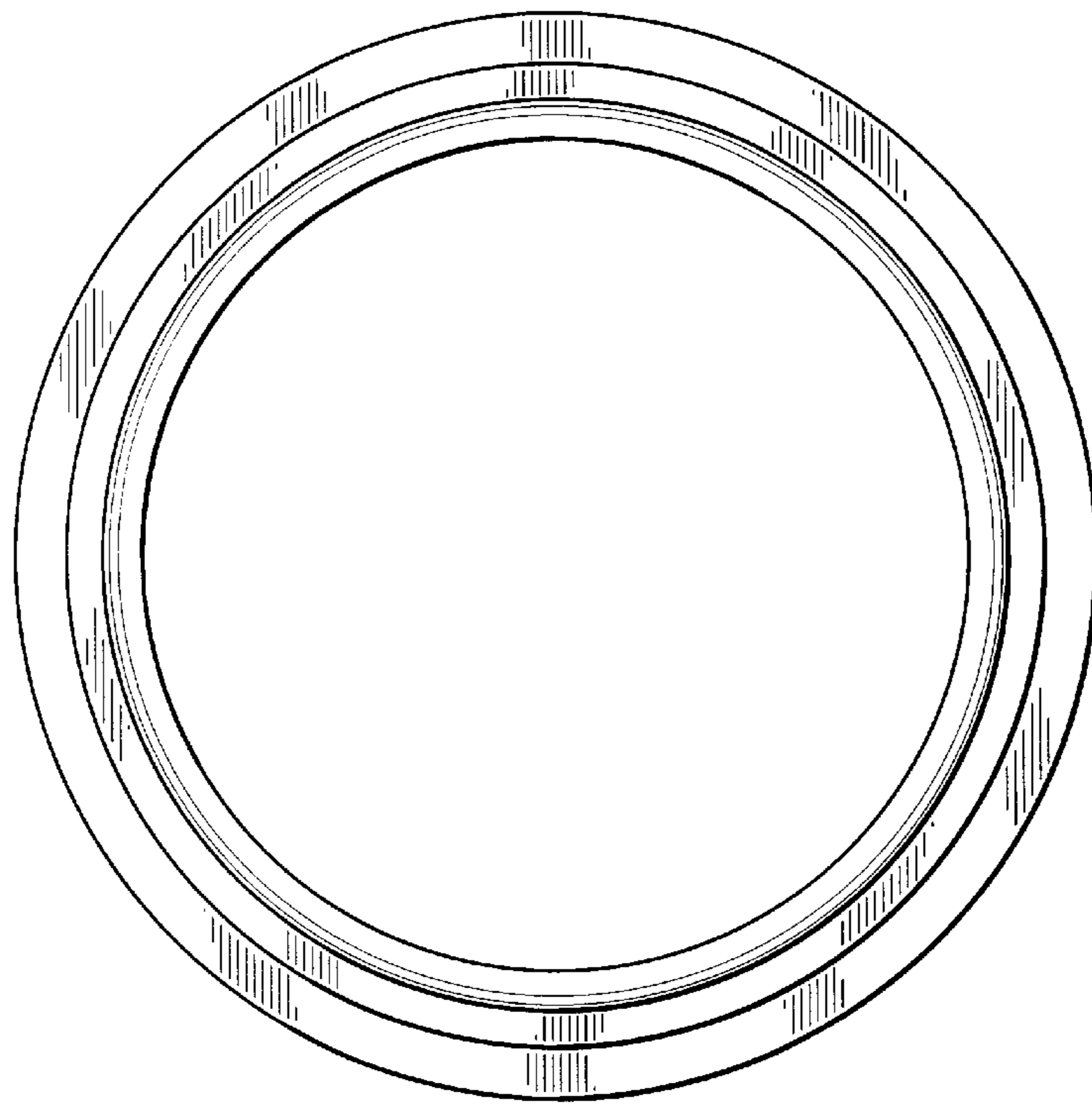


FIG. 3

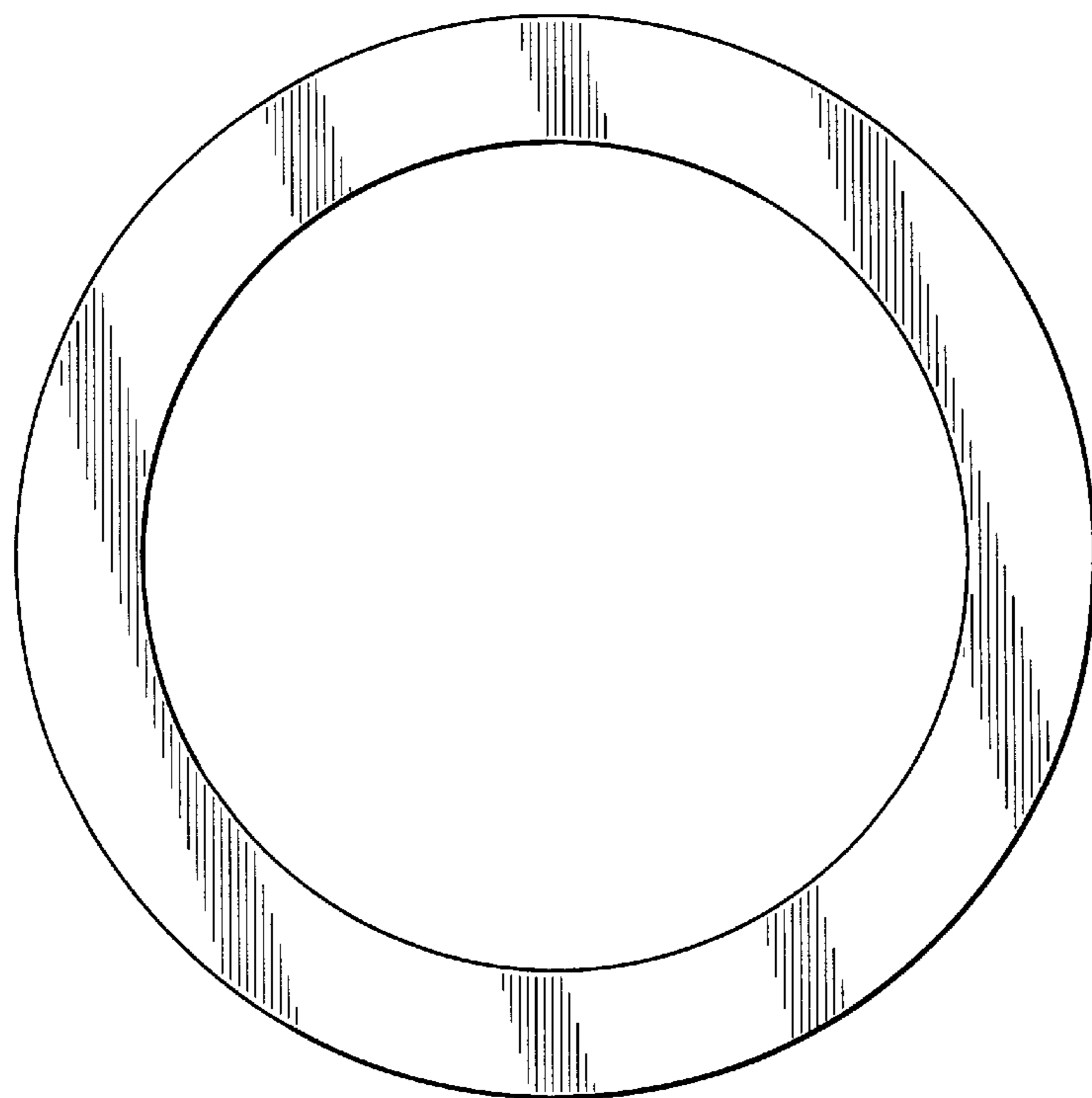


FIG. 4