



US00D437032S

(12) **United States Design Patent**
Ko

(10) **Patent No.:** **US D437,032 S**

(45) **Date of Patent:** **** Jan. 30, 2001**

(54) **DUAL-HANDLE MIXING FAUCET**

(75) **Inventor:** **Hsi Chia Ko**, Changhua Hsien (TW)

(73) **Assignee:** **Chung-Cheng Faucet Co., Ltd.**,
Changhua Hsien (TW)

(**) **Term:** **14 Years**

(21) **Appl. No.:** **29/112,579**

(22) **Filed:** **Oct. 21, 1999**

(51) **LOC (7) Cl.** **23-01**

(52) **U.S. Cl.** **D23/241; D23/238**

(58) **Field of Search** **D23/238-243,**
D23/250-257; 4/675-678; 137/801

(56) **References Cited**

U.S. PATENT DOCUMENTS

D. 229,495	*	12/1973	Landell	D23/241
D. 347,466	*	5/1994	Kolada et al.	D23/241
D. 361,827	*	8/1995	Doughty et al.	D23/241
D. 381,397	*	7/1997	Steffes	D23/238
D. 382,629	*	8/1997	Doughty et al.	D23/241
D. 384,396	*	9/1997	Doughty et al.	D23/241
D. 390,637	*	2/1998	Ko	D23/241
D. 390,638	*	2/1998	Ko	D23/241
D. 393,692	*	4/1998	Ko	D23/238
D. 400,646	*	11/1998	Hill et al.	D23/241
D. 401,673	*	11/1998	Steffes	D23/241

D. 404,467	*	1/1999	Doughty et al.	D23/242
D. 410,527	*	6/1999	Chang et al.	D23/241
D. 415,825	*	10/1999	Chang et al.	D23/241

OTHER PUBLICATIONS

American Standard Catalog, p. 1-11, spec sheet for the Cadet Ragency Faucet, Dec. 1992.*

* cited by examiner

Primary Examiner—Louis S. Zarfes

Assistant Examiner—Gregory Andoll

(74) *Attorney, Agent, or Firm*—Dougherty & Troxell

(57) **CLAIM**

The ornamental design for a dual-handle mixing faucet, as shown and described.

DESCRIPTION

FIG. 1 is a perspective view of a dual-handle mixing faucet showing my new design.

FIG. 2 is a front view thereof;

FIG. 3 is a rear view thereof;

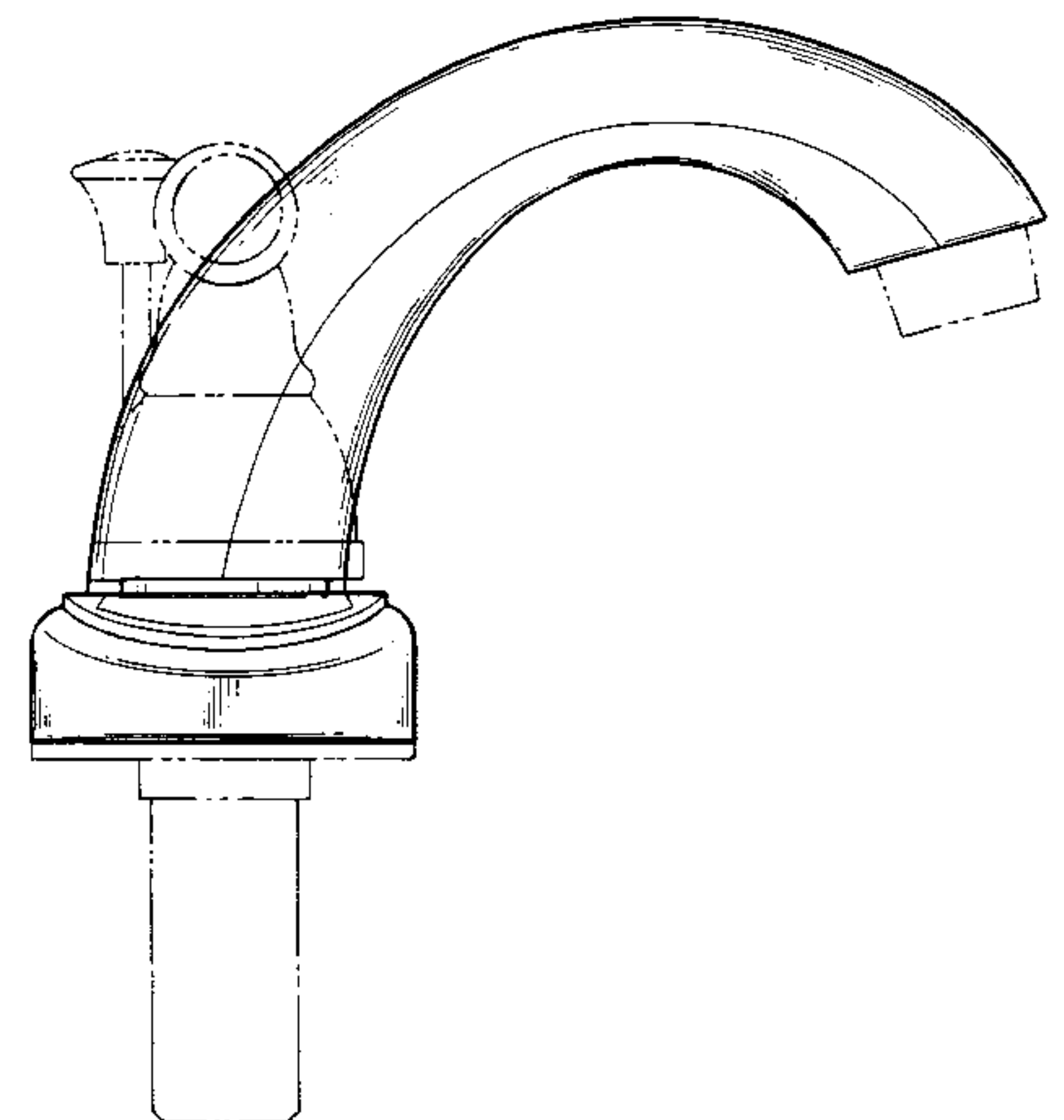
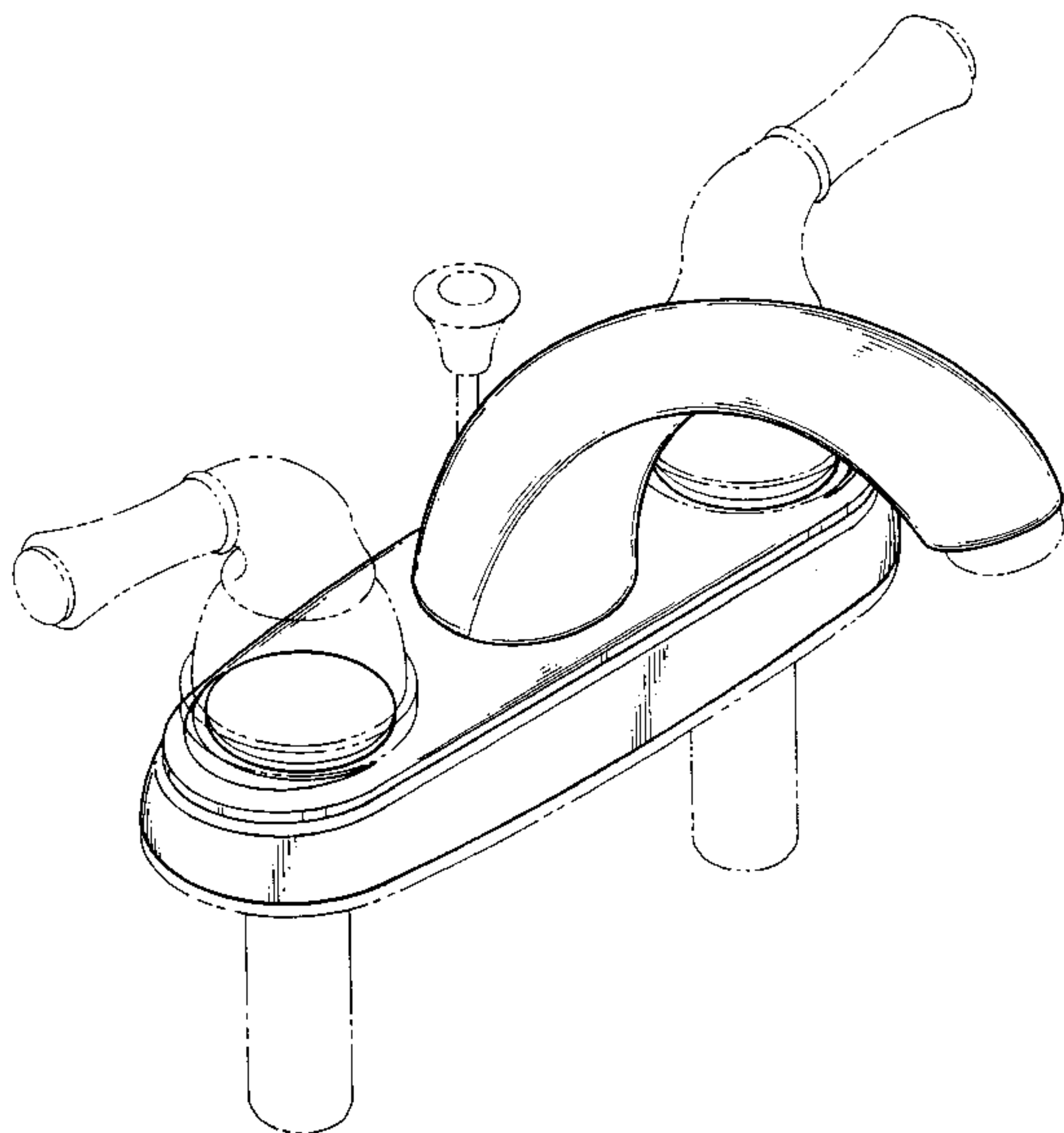
FIG. 4 is a left side view thereof, the right side is a mirror image thereof;

FIG. 5 is a top view thereof; and,

FIG. 6 is a bottom view thereof.

The broken lines in the Figures are for illustrative purposes only and form no part of the claimed design.

1 Claim, 6 Drawing Sheets



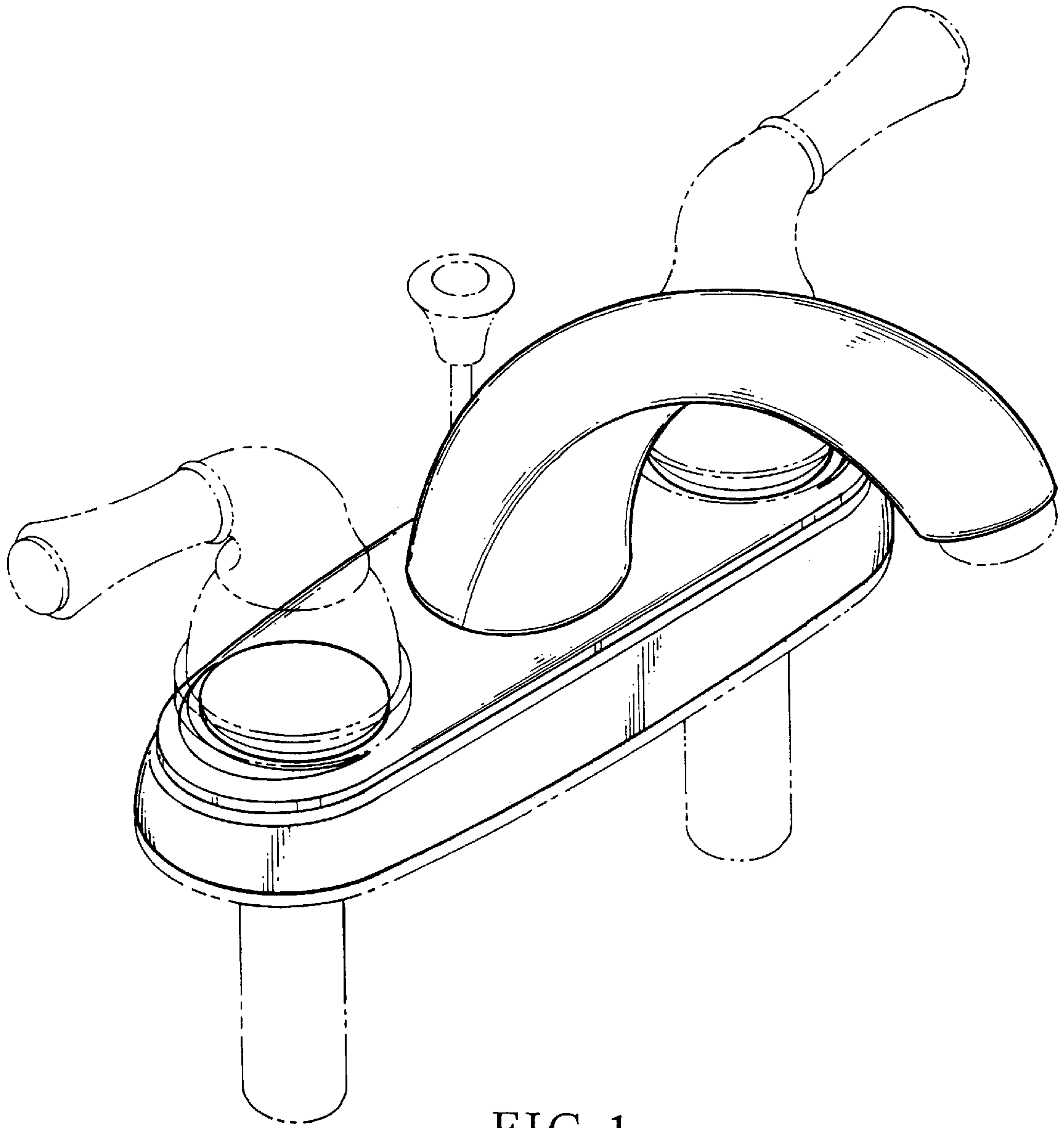


FIG. 1

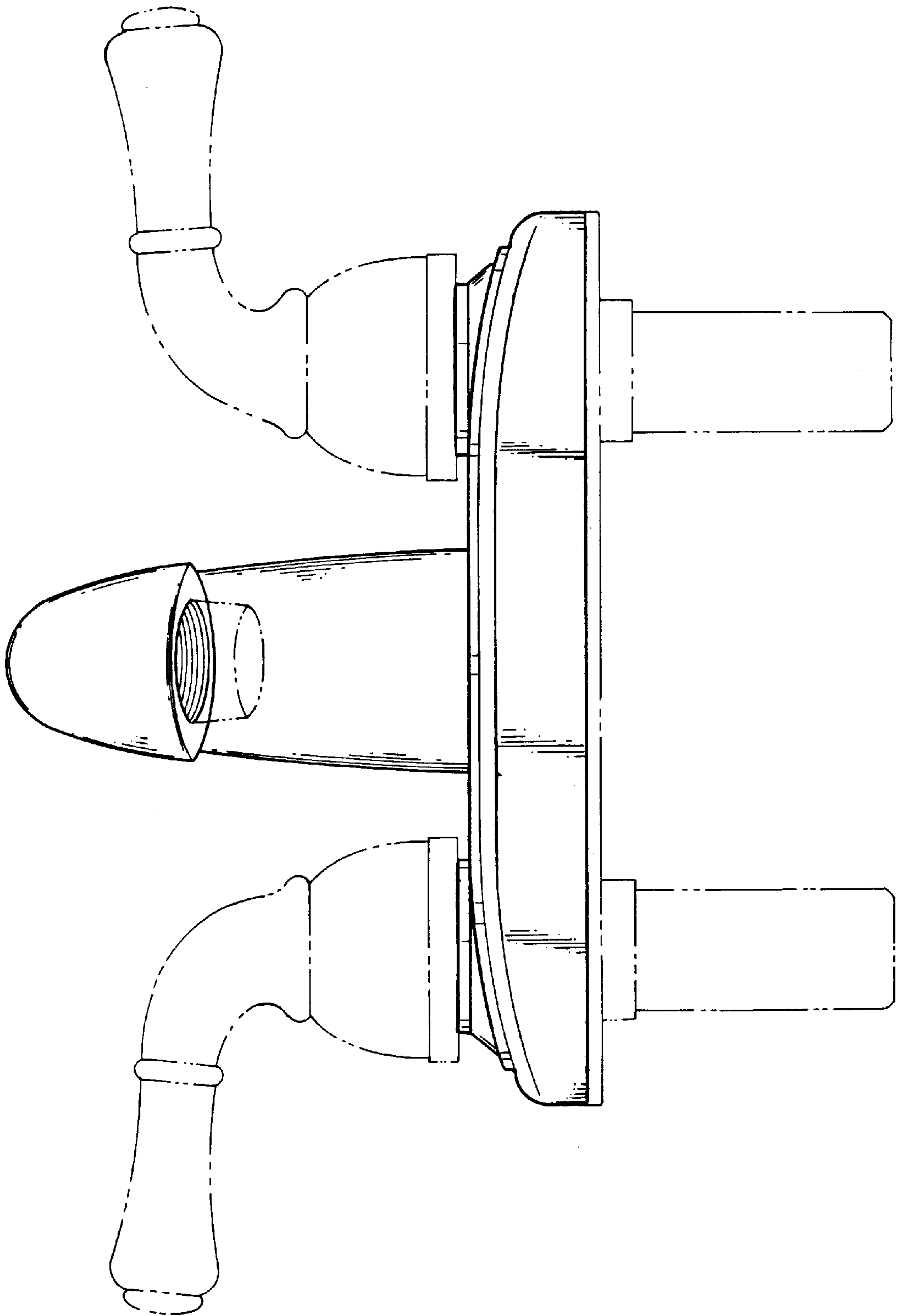


FIG. 2

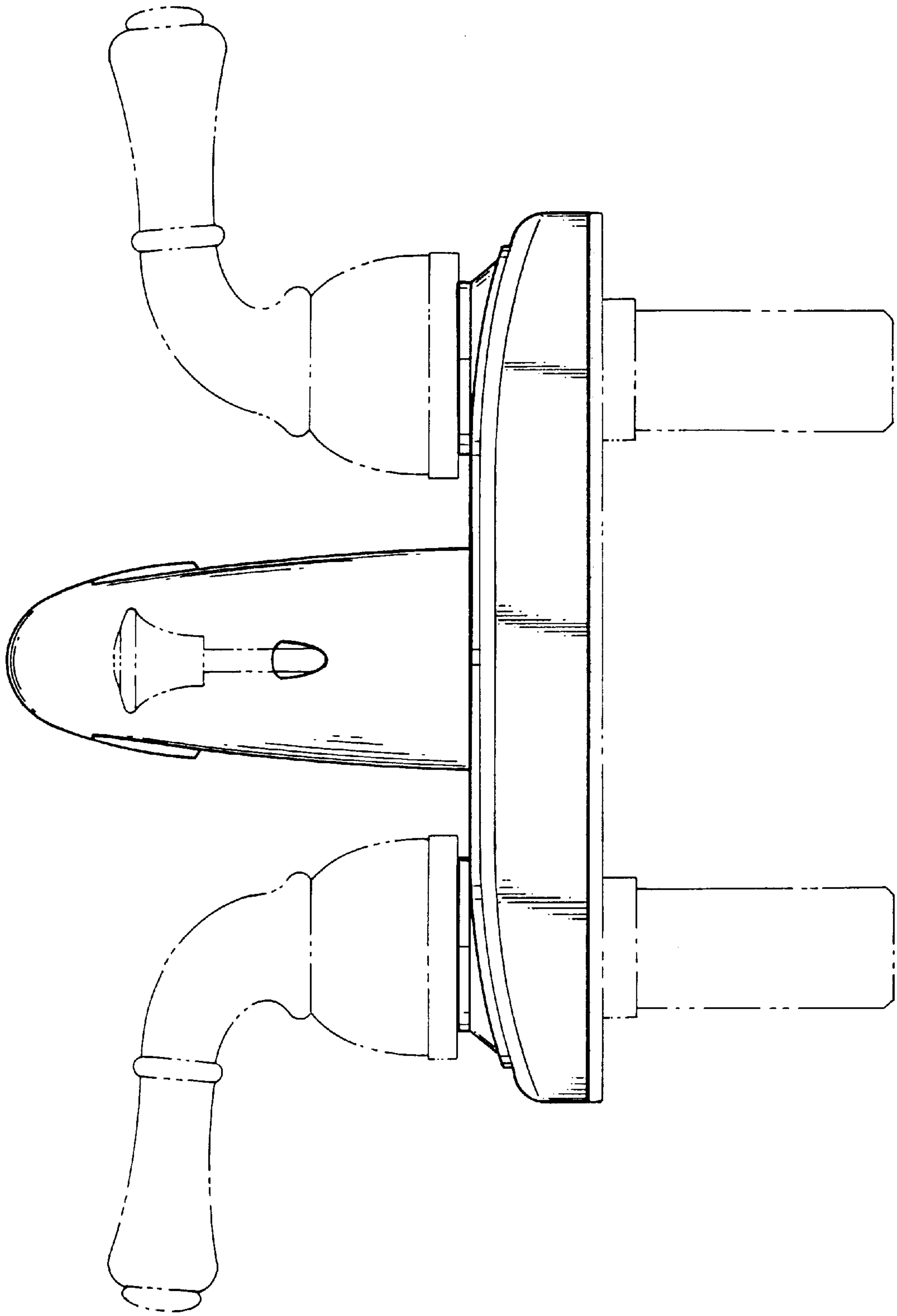


FIG.3

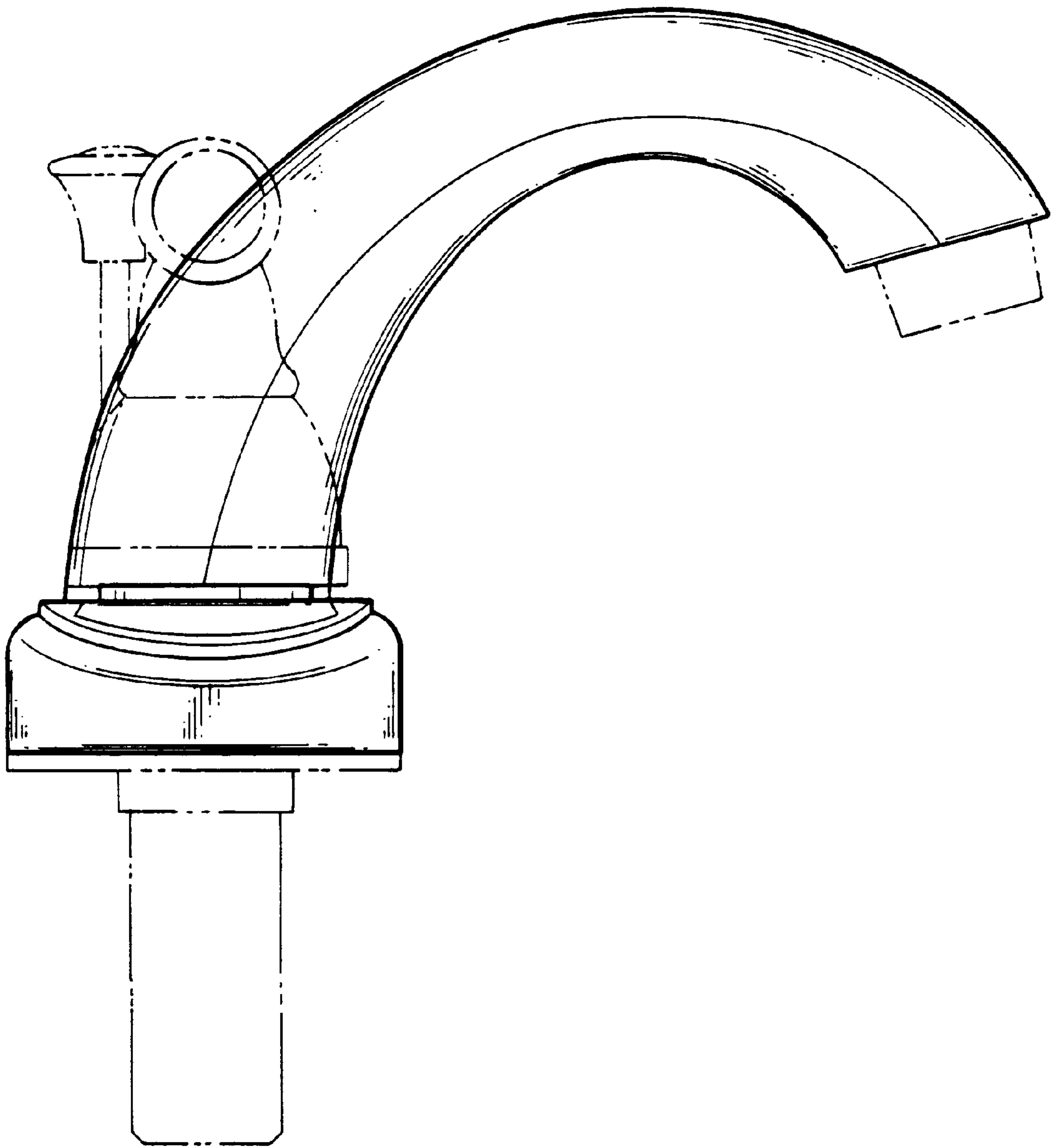


FIG. 4

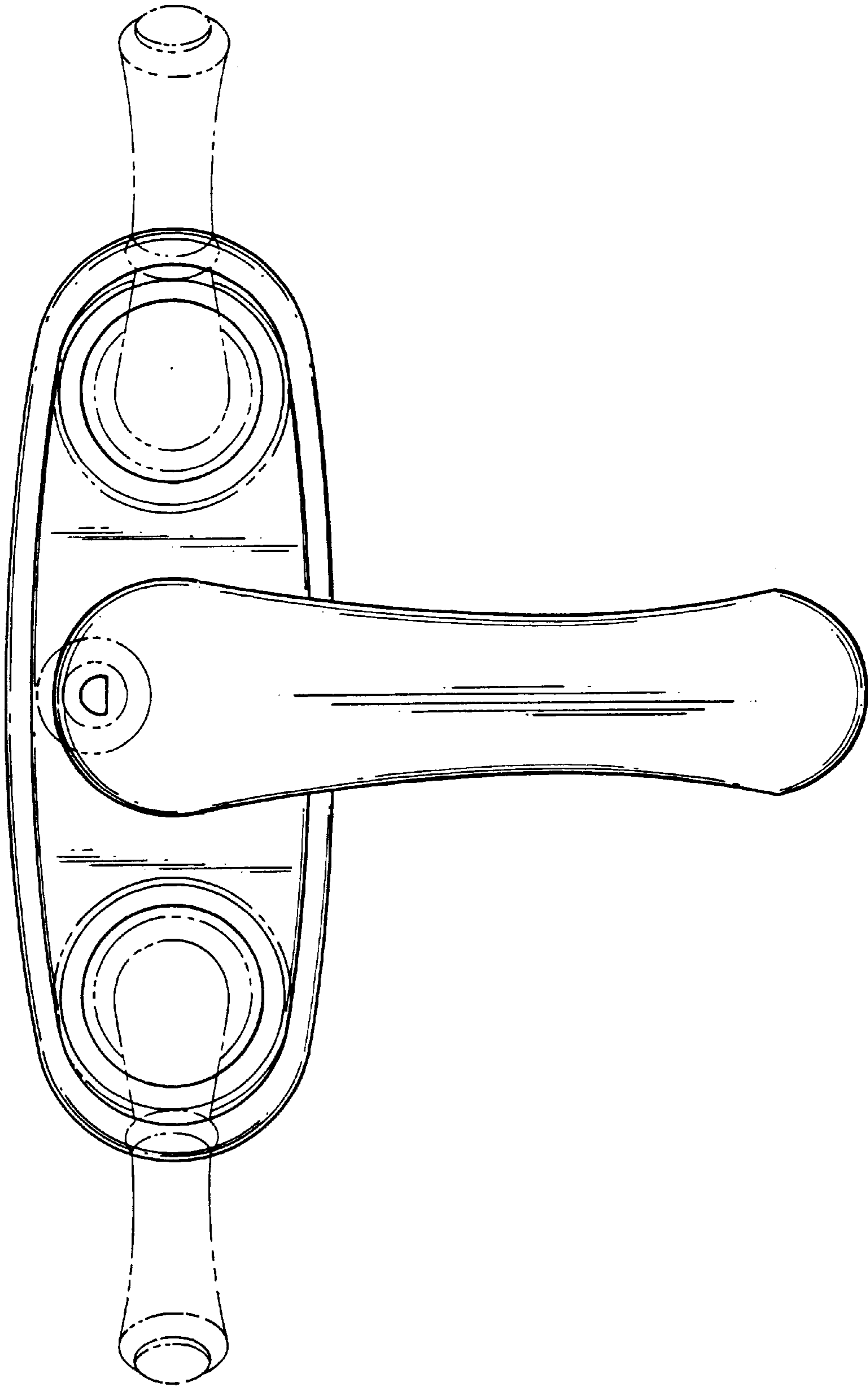


FIG. 5

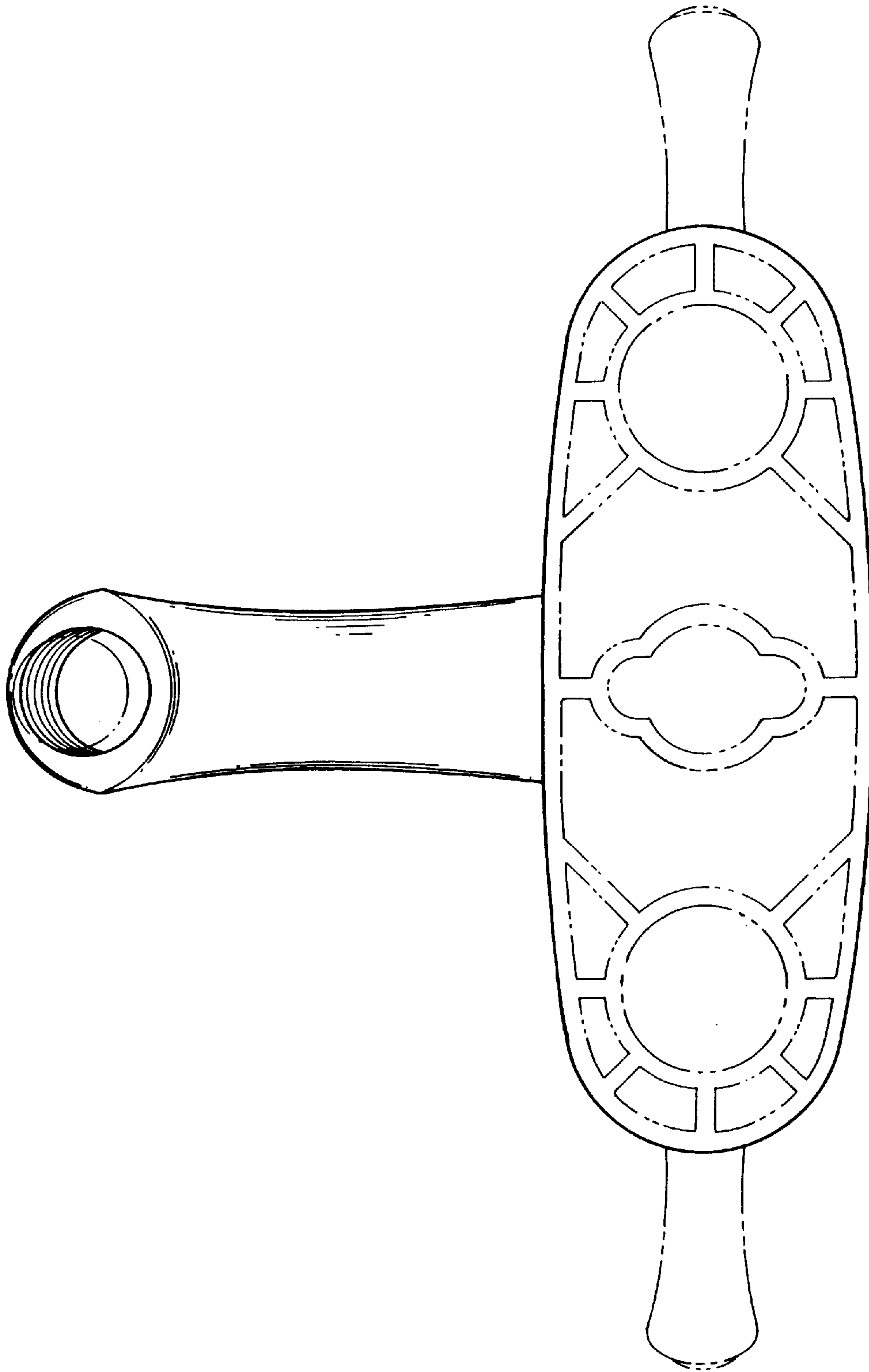


FIG. 6