



US00D437030S

(12) **United States Design Patent**
Sato et al.

(10) **Patent No.: US D437,030 S**

(45) **Date of Patent: ** *Jan. 30, 2001**

- (54) **ELECTROMAGNETIC VALVE**
- (75) Inventors: **Hideharu Sato; Takumi Matsumoto,**
both of Yawara-mura (JP)
- (73) Assignee: **SMC Corporation, Tokyo (JP)**
- (*) Notice: This patent is subject to a terminal disclaimer.
- (**) Term: **14 Years**
- (21) Appl. No.: **29/106,990**
- (22) Filed: **Jun. 23, 1999**

3,504,704 *	4/1970	Beckett et al.	137/625.64
4,889,164 *	12/1989	Hozumi et al.	137/625.64
5,437,306 *	8/1995	Asou et al.	137/625.64
5,699,830 *	12/1997	Hayasi et al.	137/884
5,699,834 *	12/1997	Hayashi et al.	137/884

* cited by examiner

Primary Examiner—Robin V. Taylor
(74) *Attorney, Agent, or Firm*—Oblon, Spivak, McClelland, Maier & Neustadt, P.C.

(57) **CLAIM**

The ornamental design for electromagnetic valve, as shown and described.

Related U.S. Application Data

- (62) Division of application No. 29/063,095, filed on Nov. 26, 1996, now Pat. No. Des. 415,824.

(30) **Foreign Application Priority Data**

- May 28, 1996 (JP) 8-15451
- (51) **LOC (7) Cl.** **23-01**
- (52) **U.S. Cl.** **D23/233**
- (58) **Field of Search** D23/233-237,
D23/244-248; 137/625.64, 884, 596.13,
596.16

DESCRIPTION

FIG. 1 is a top, front and left side perspective view of electromagnetic valve embodying our new design;
 FIG. 2 is a bottom, rear and left side perspective view thereof;
 FIG. 3 is a front elevational view thereof;
 FIG. 4 is a rear elevational view thereof;
 FIG. 5 is a right side elevational view thereof;
 FIG. 6 is a left side elevational view thereof;
 FIG. 7 is a top plan view thereof; and,
 FIG. 8 is a bottom plan view thereof.

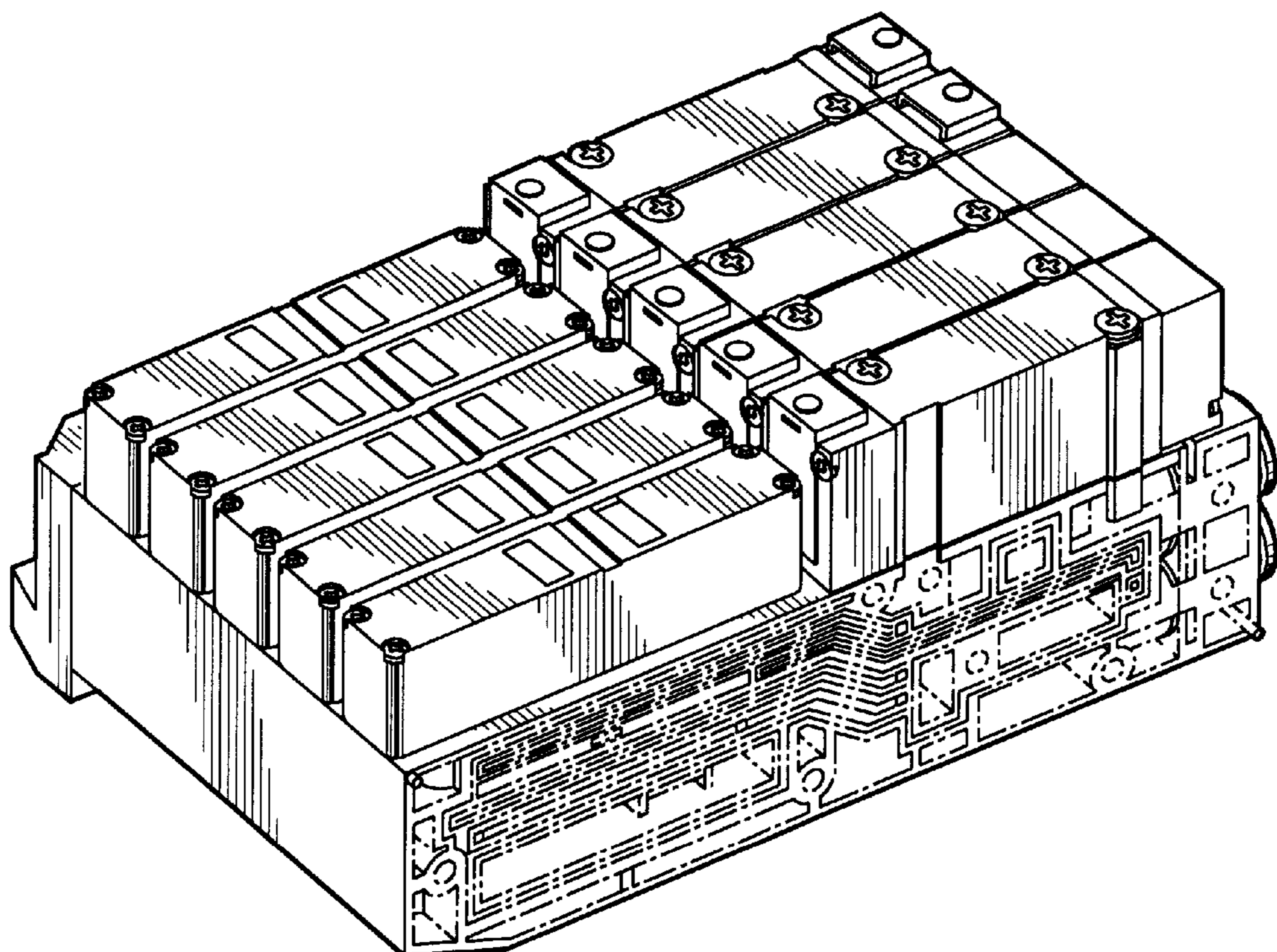
The features shown in phantom lines in the Figures are shown for illustrative purposes only and form no part of the claimed design.

(56) **References Cited**

U.S. PATENT DOCUMENTS

- D. 415,824 * 10/1999 Sato et al. D23/233

1 Claim, 4 Drawing Sheets



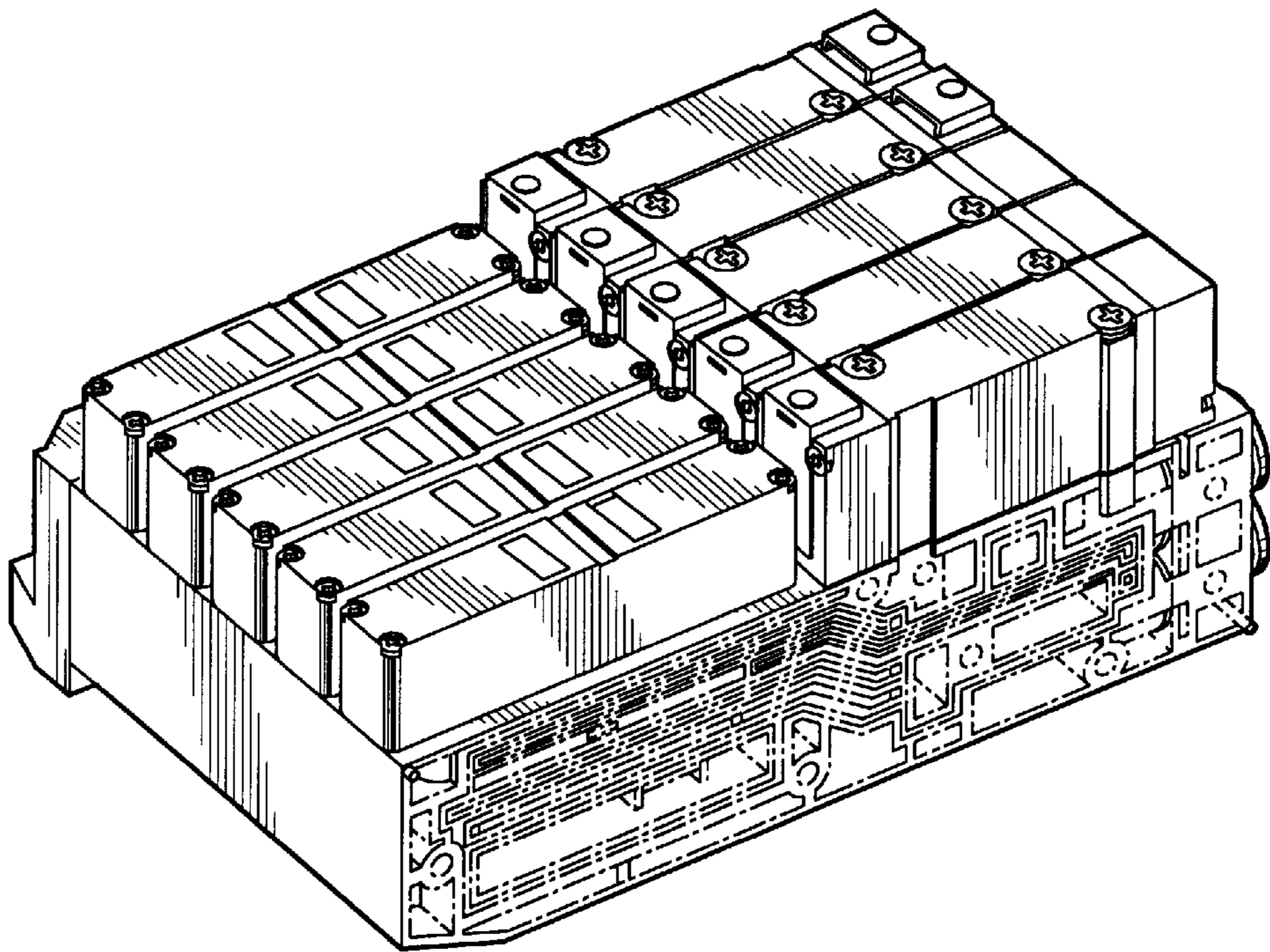


FIG. 1

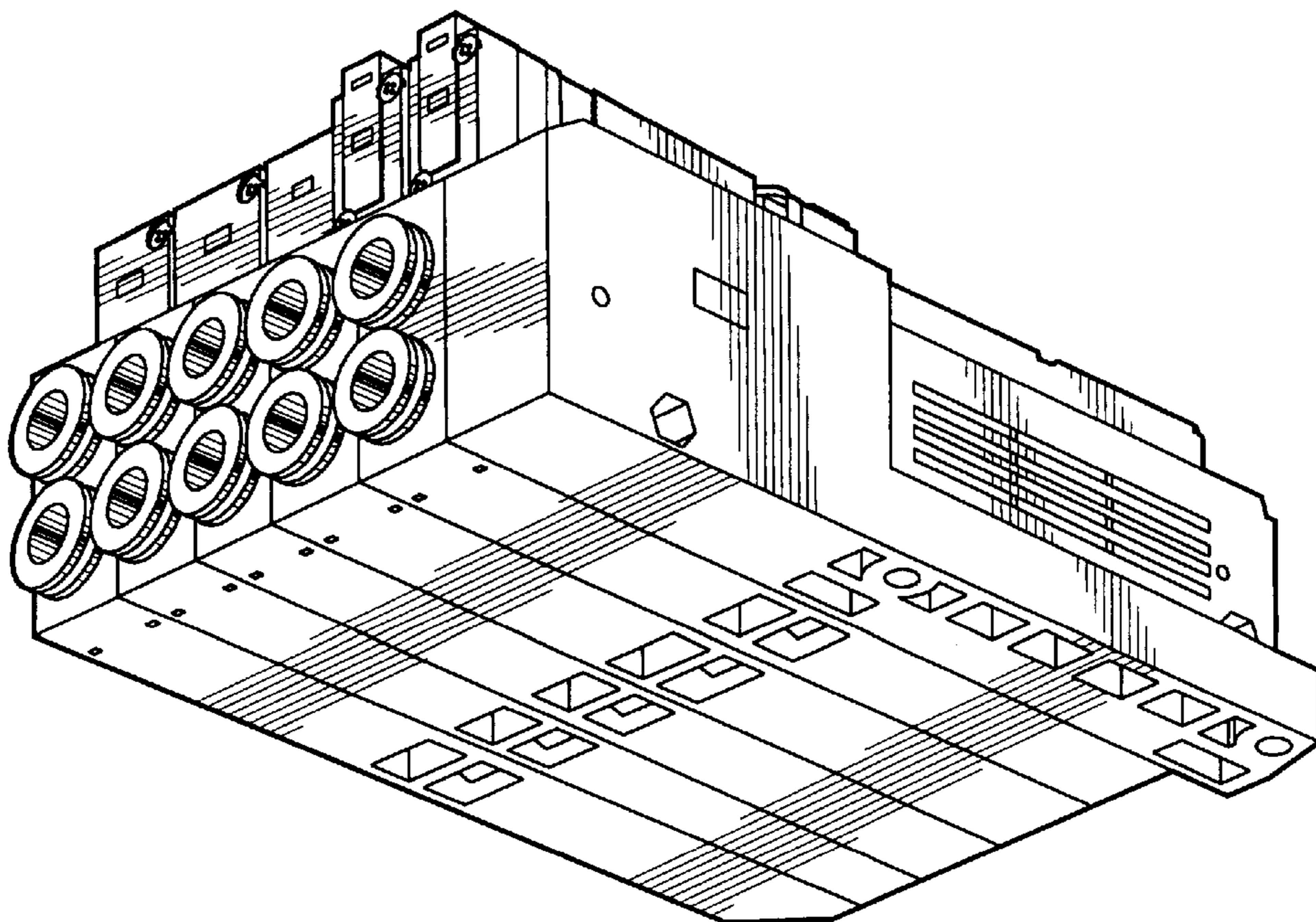


FIG. 2

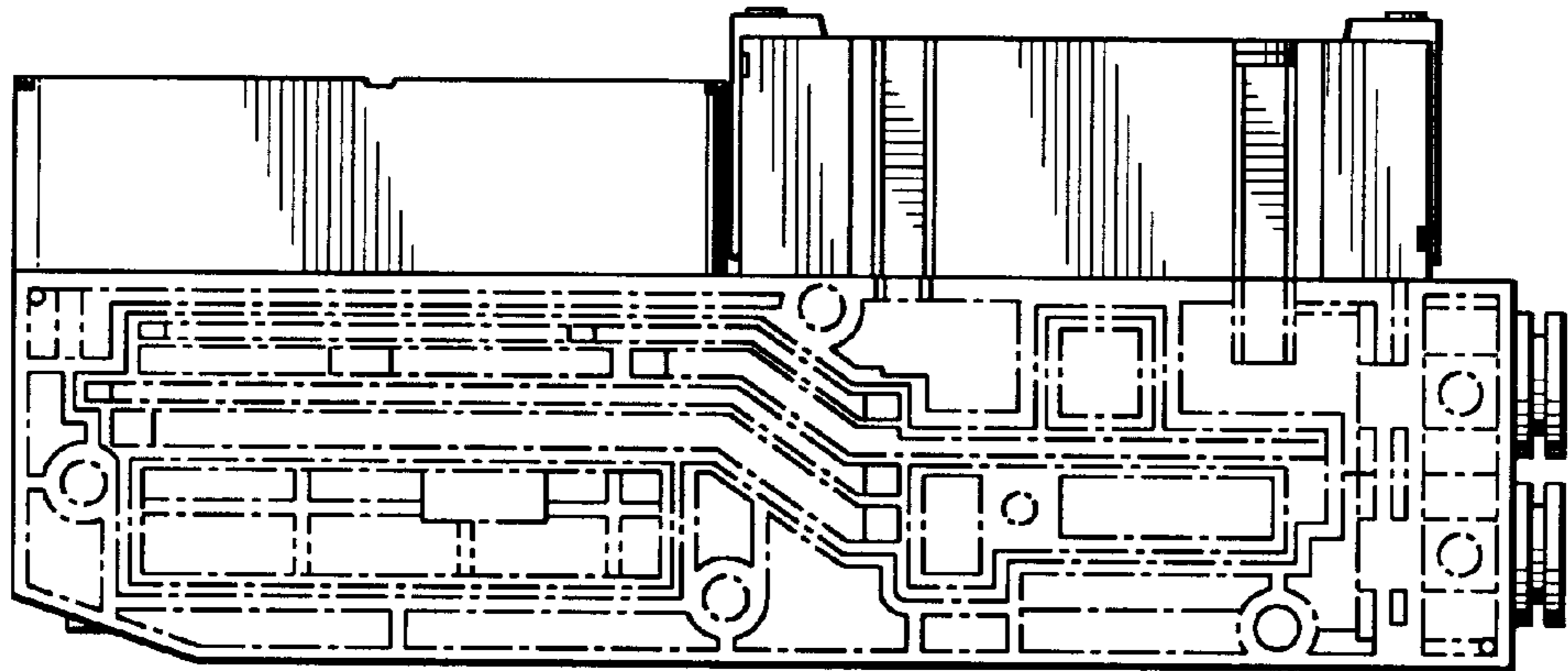


FIG. 3

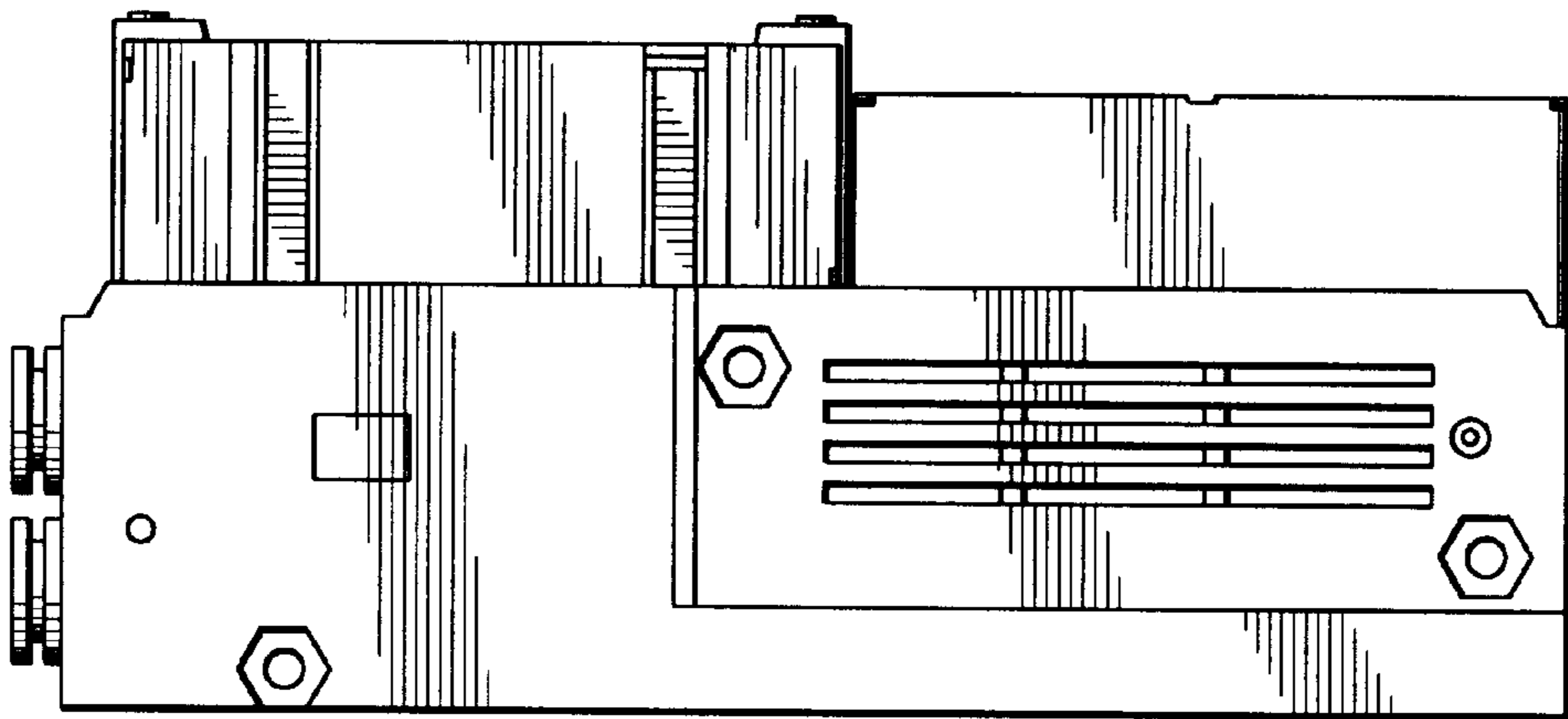


FIG. 4

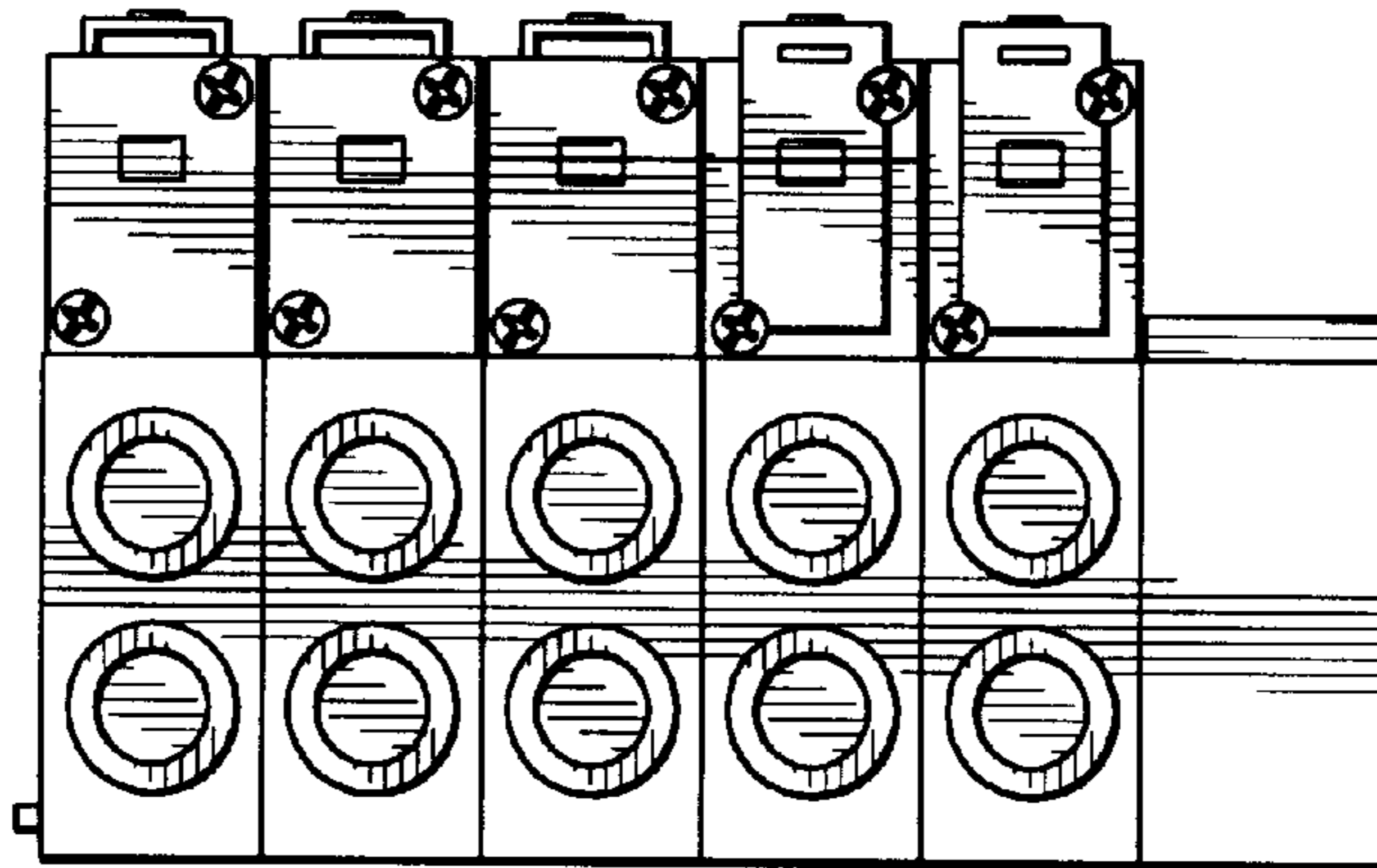


FIG. 5

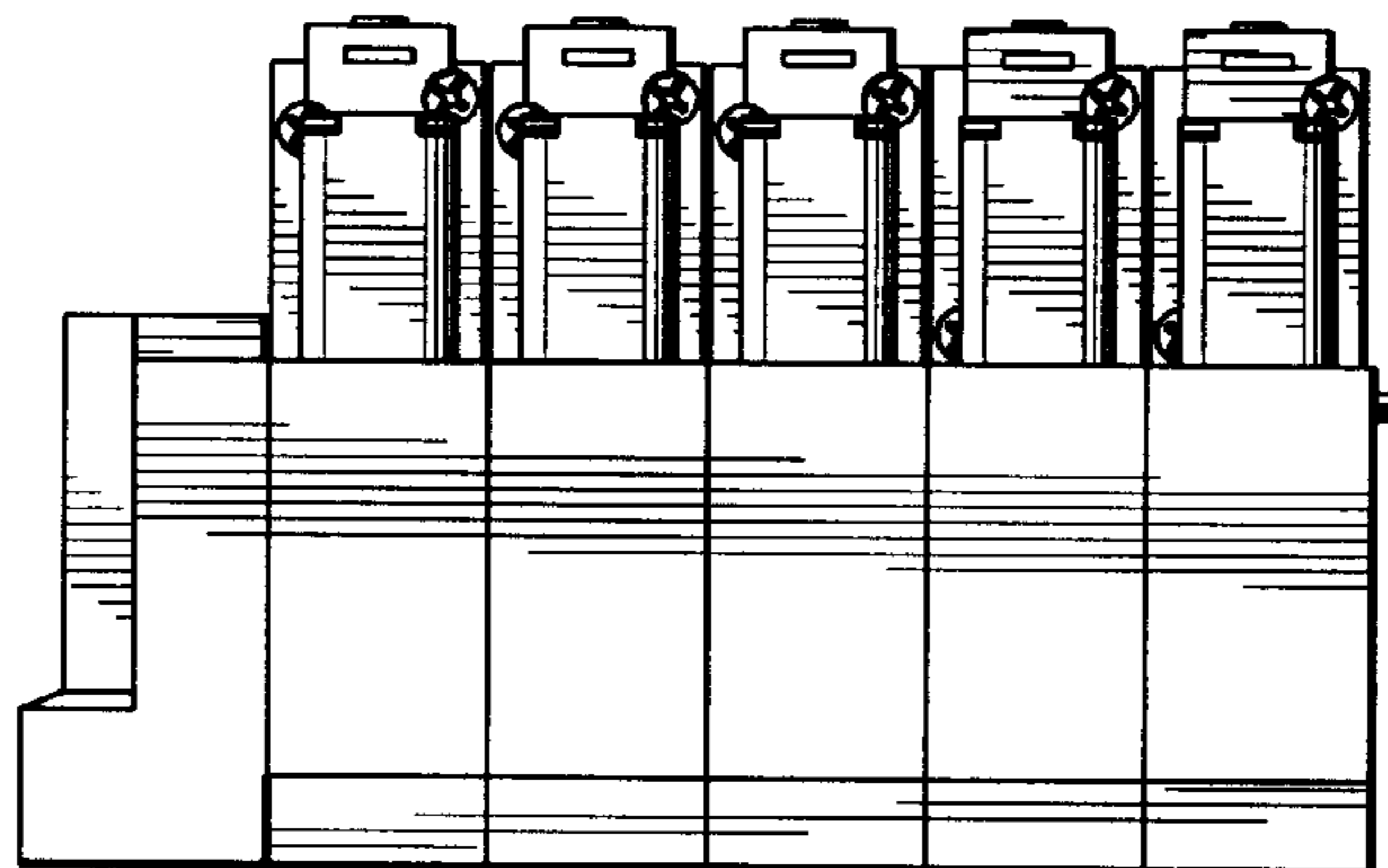


FIG. 6

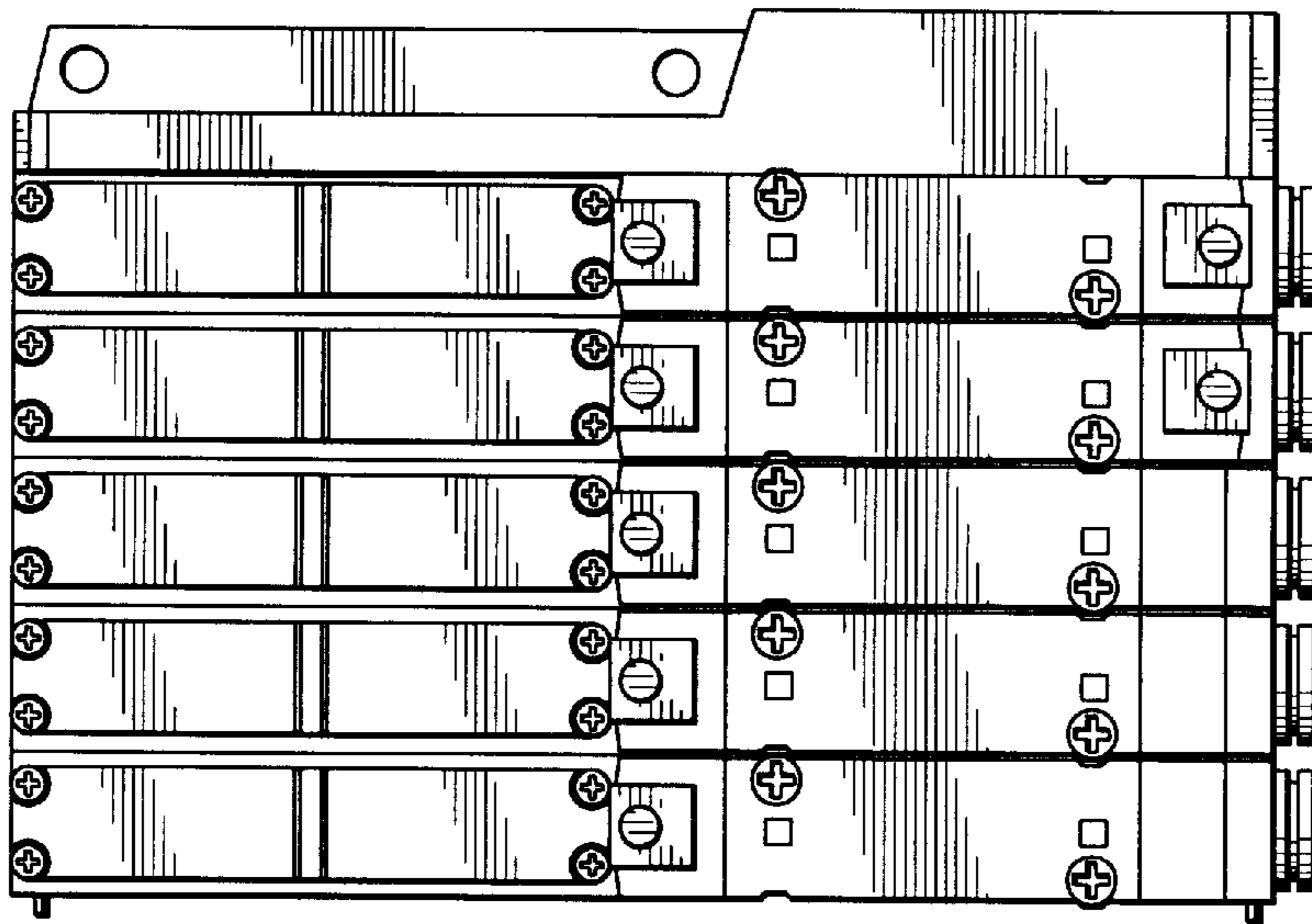


FIG. 7

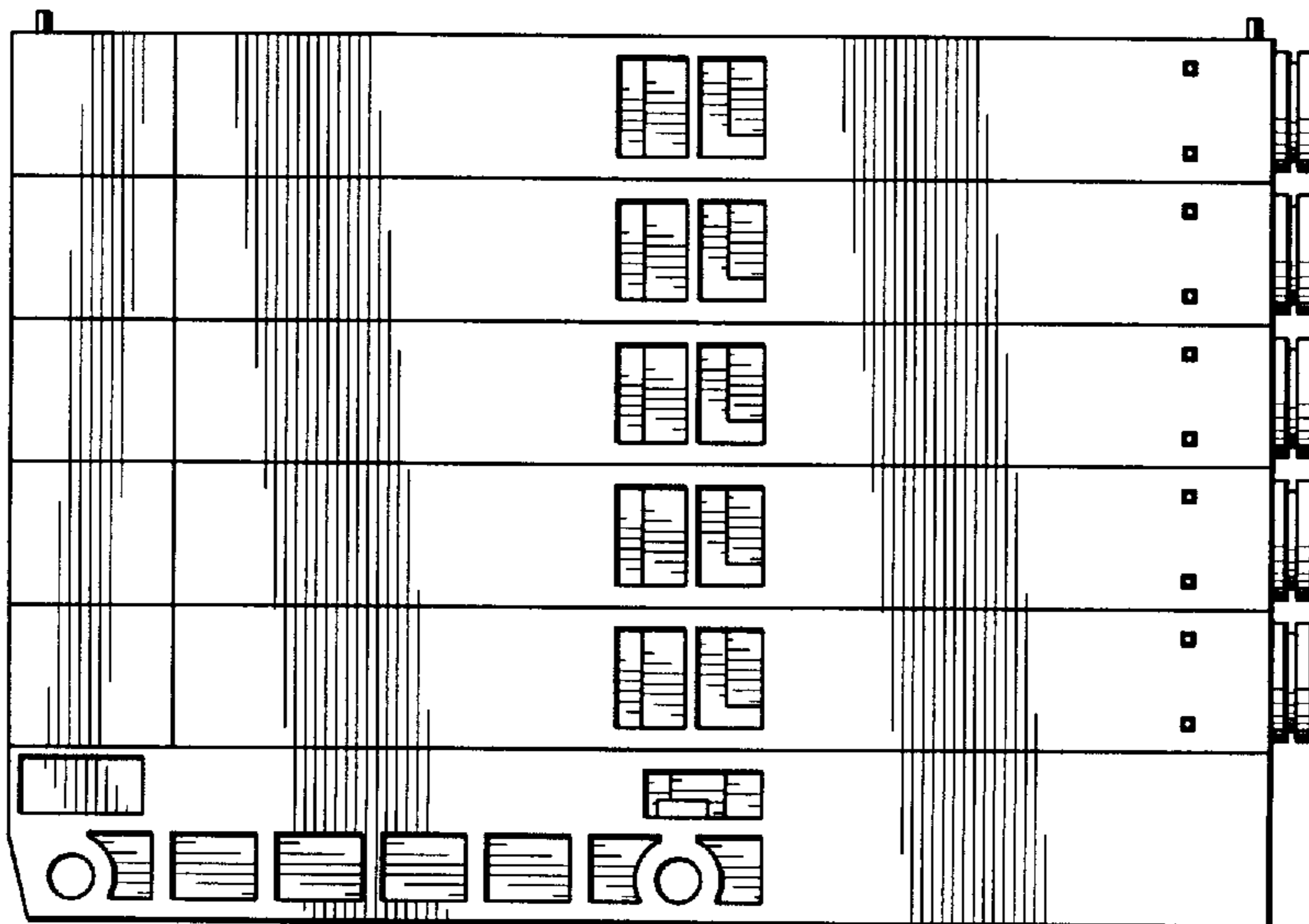


FIG. 8