



US00D437027S

(12) **United States Design Patent**
Flagler et al.

(10) **Patent No.:** **US D437,027 S**

(45) **Date of Patent:** **** Jan. 30, 2001**

(54) **WATER FILTER RESERVOIR**

(75) Inventors: **Robert W. Flagler**, Pleasanton; **Trent R. Northen**, Oakland, both of CA (US); **Alan D. Ball**, Somerville; **George H. F. Schnakenberg, III**, Cambridge, both of MA (US)

(73) Assignee: **The Clorox Company**, Oakland, CA (US)

(**) Term: **14 Years**

(21) Appl. No.: **29/115,026**

(22) Filed: **Dec. 6, 1999**

(51) **LOC (7) Cl.** **23-01**

(52) **U.S. Cl.** **D23/209; D7/400**

(58) **Field of Search** **D23/200, 207, D23/209; D7/400; 210/455, 473**

(56) **References Cited**

U.S. PATENT DOCUMENTS

D. 225,078 * 11/1972 Martin et al. D7/400

D. 386,943 * 12/1997 Demore et al. D23/209

D. 386,944 * 12/1997 Demore et al. D23/209

5,503,740 * 4/1996 Callaghan et al. 210/455

* cited by examiner

Primary Examiner—Robin V. Taylor

(74) *Attorney, Agent, or Firm*—Michael J. Mazza

(57) **CLAIM**

The ornamental design for a water filter reservoir, as shown and described.

DESCRIPTION

FIG. 1 is a top perspective view of a water filter reservoir embodying the new design;

FIG. 2 is a front elevational view of the reservoir of FIG. 1;

FIG. 3 is a back elevational view of the reservoir of FIG. 1;

FIG. 4 is a side elevational view of the reservoir of FIG. 1;

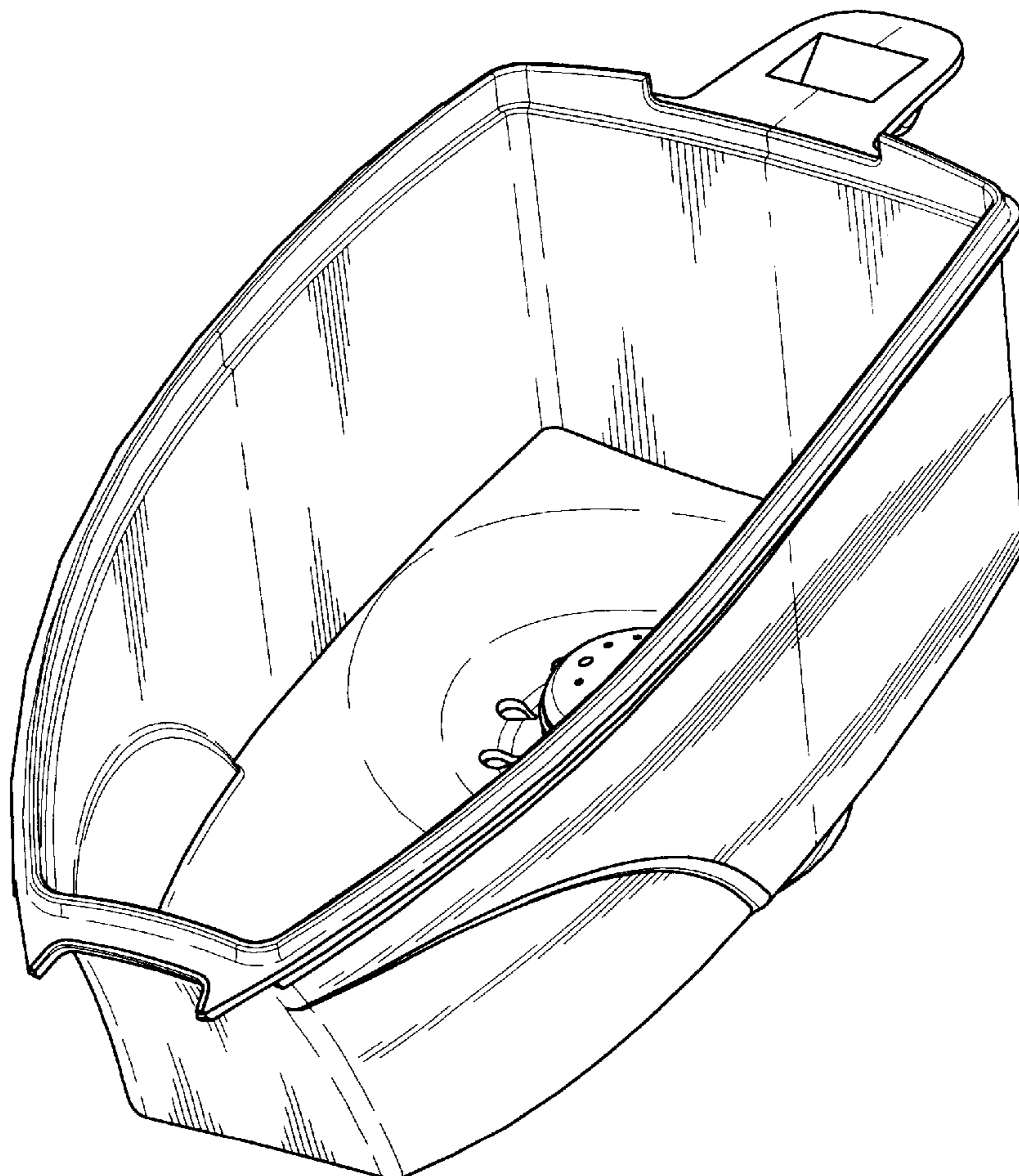
FIG. 5 is a side elevational view of the reservoir of FIG. 1,

opposite to that of FIG. 4 (FIGS. 4 and 5 being mirror images);

FIG. 6 is a top plan view of the reservoir of FIG. 1; and,

FIG. 7 is a bottom plan view of the reservoir of FIG. 1.

1 Claim, 3 Drawing Sheets



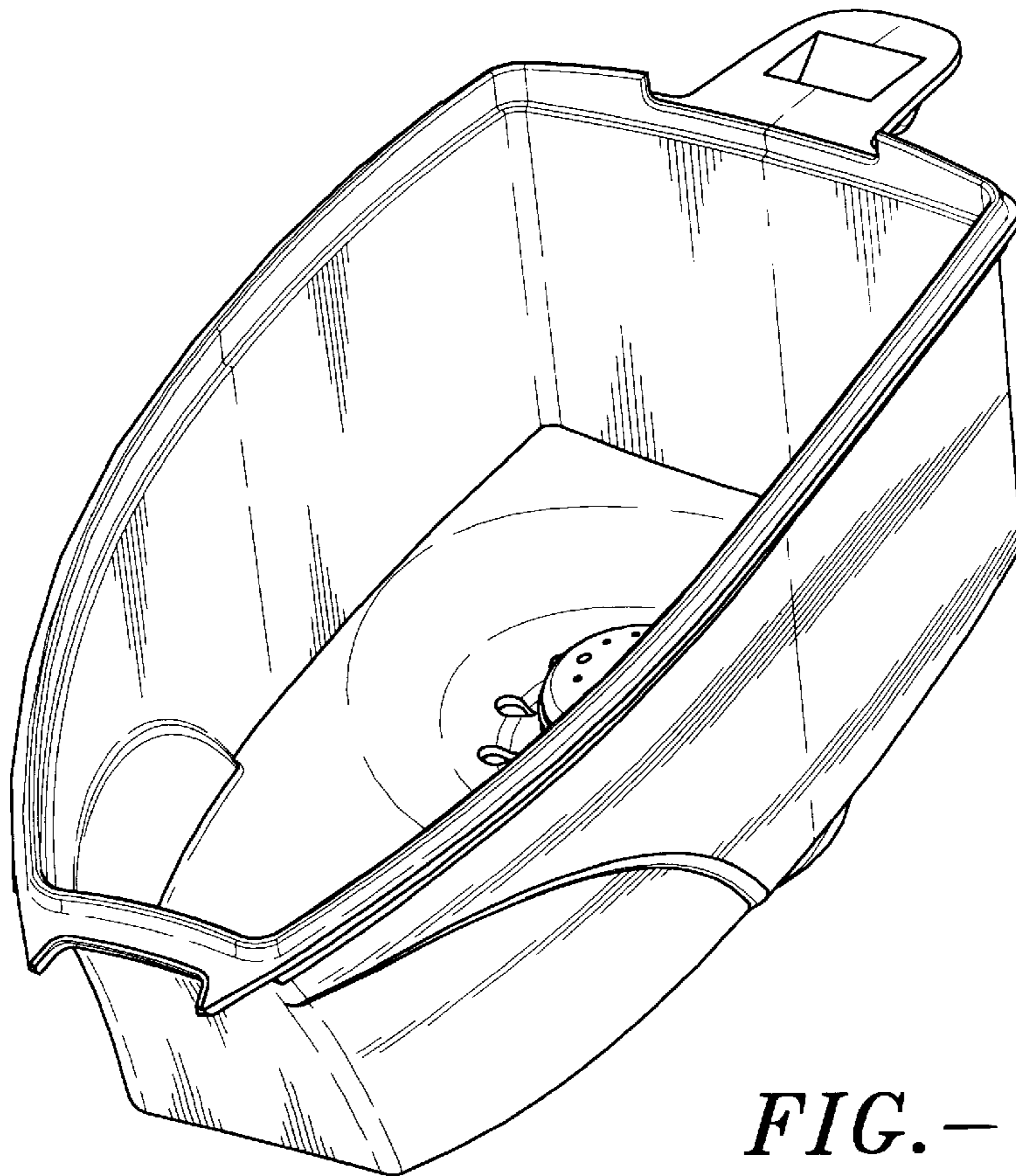


FIG.-1

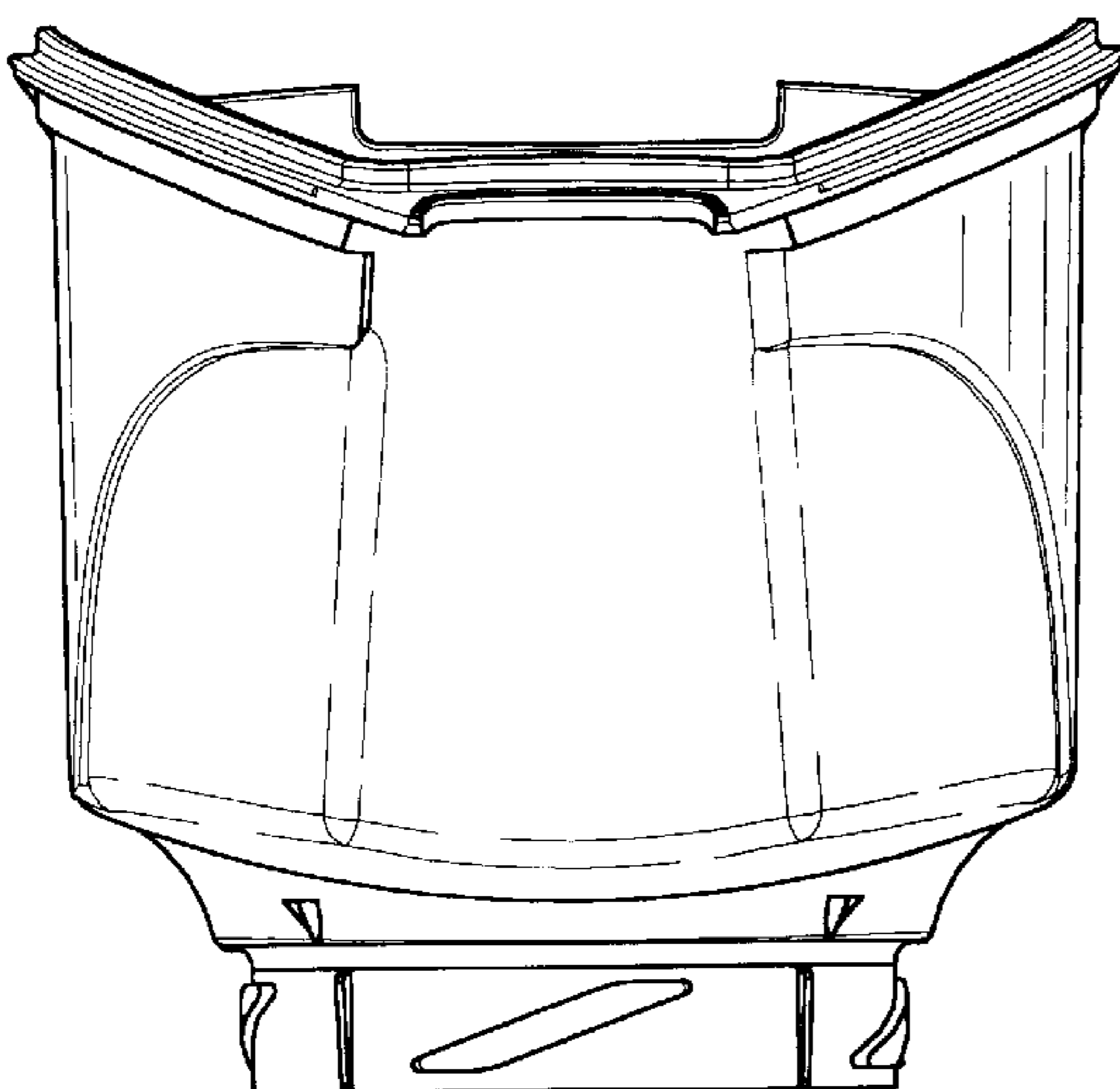


FIG.-2

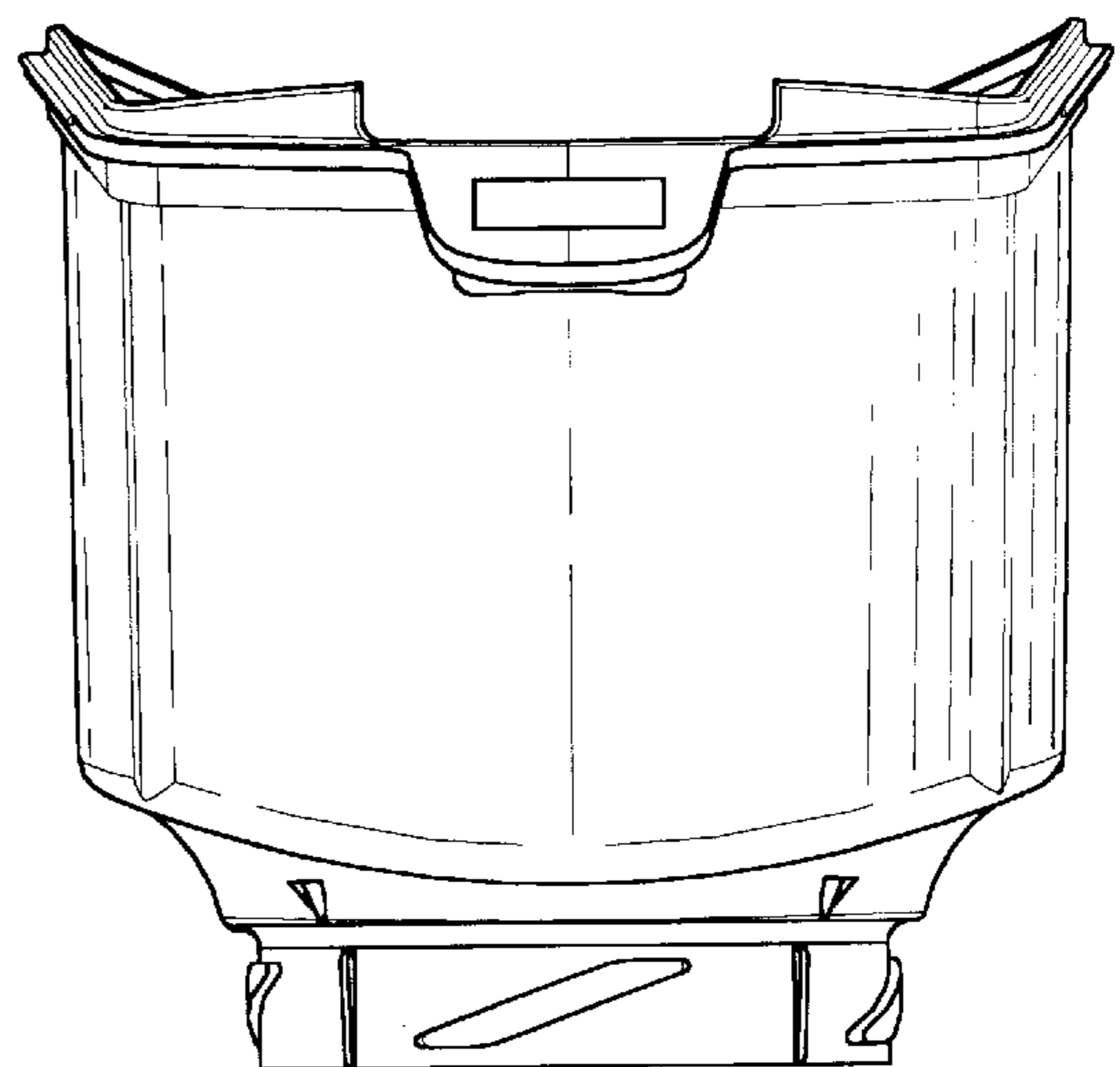


FIG.-3

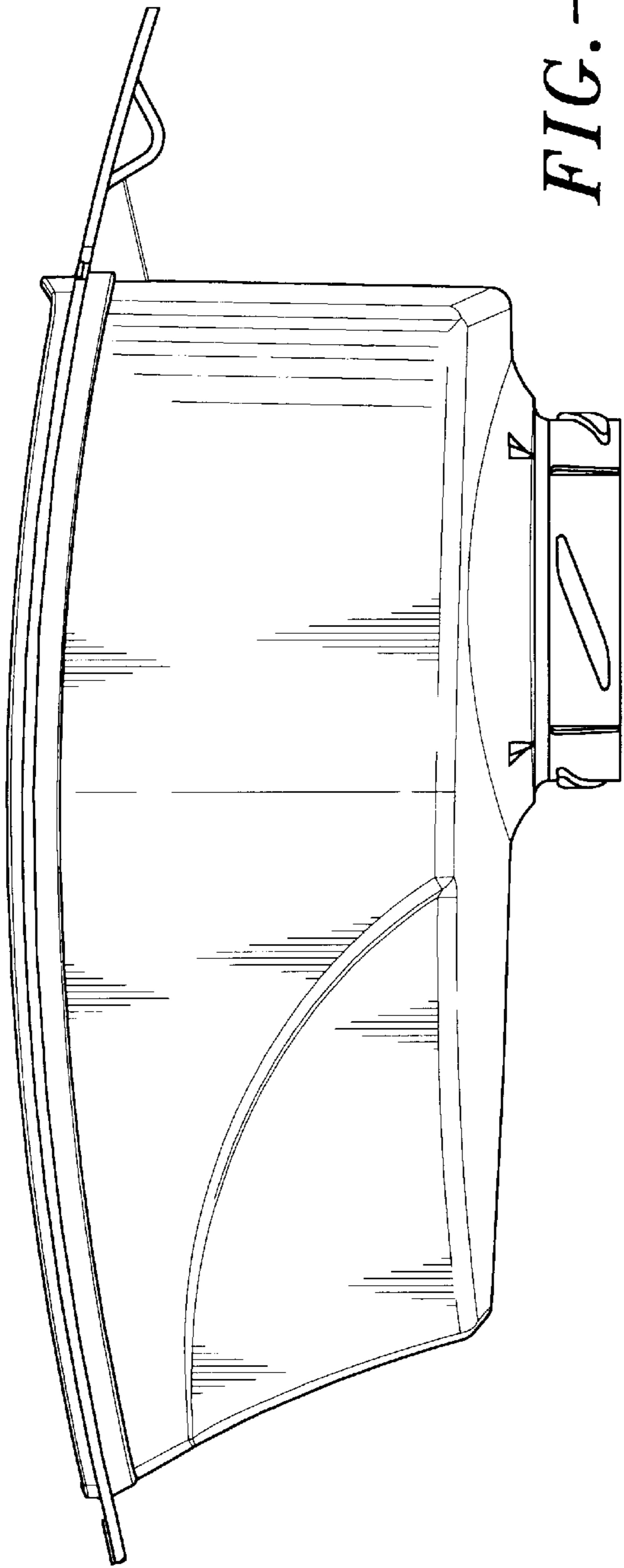


FIG. -4

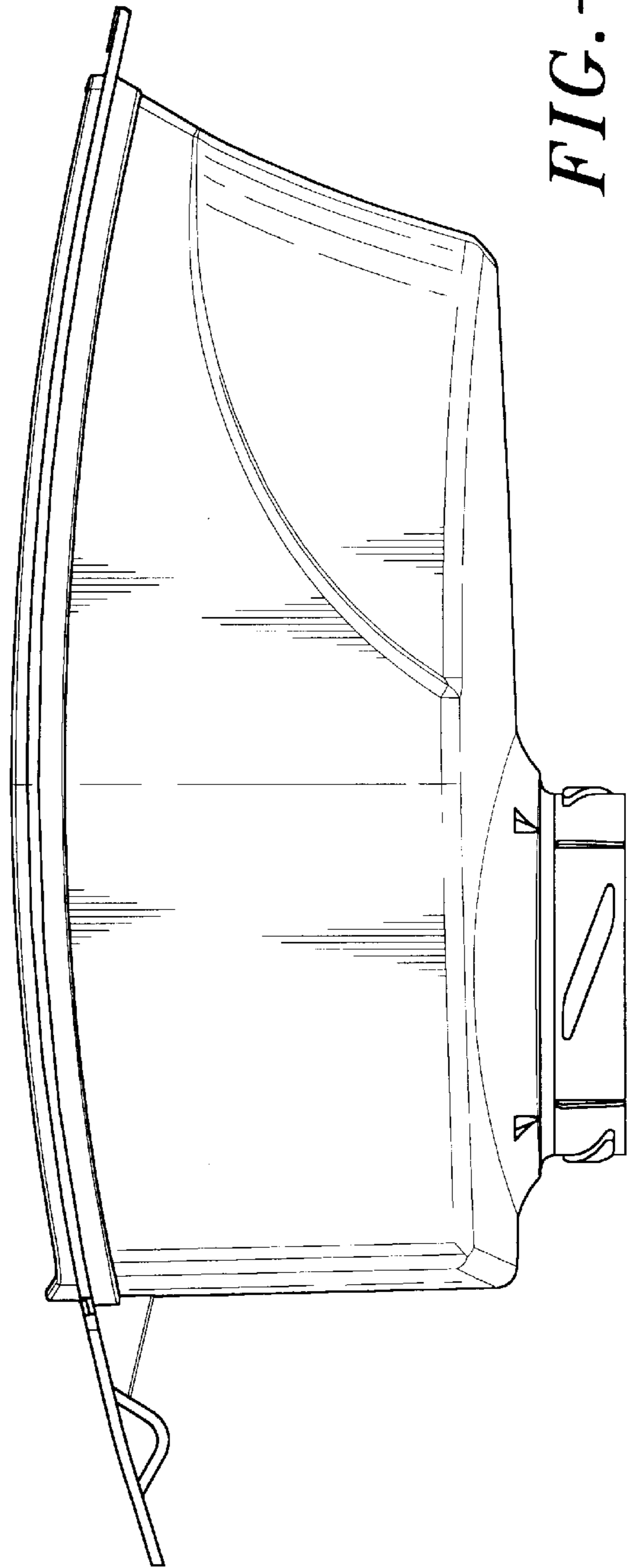


FIG. -5

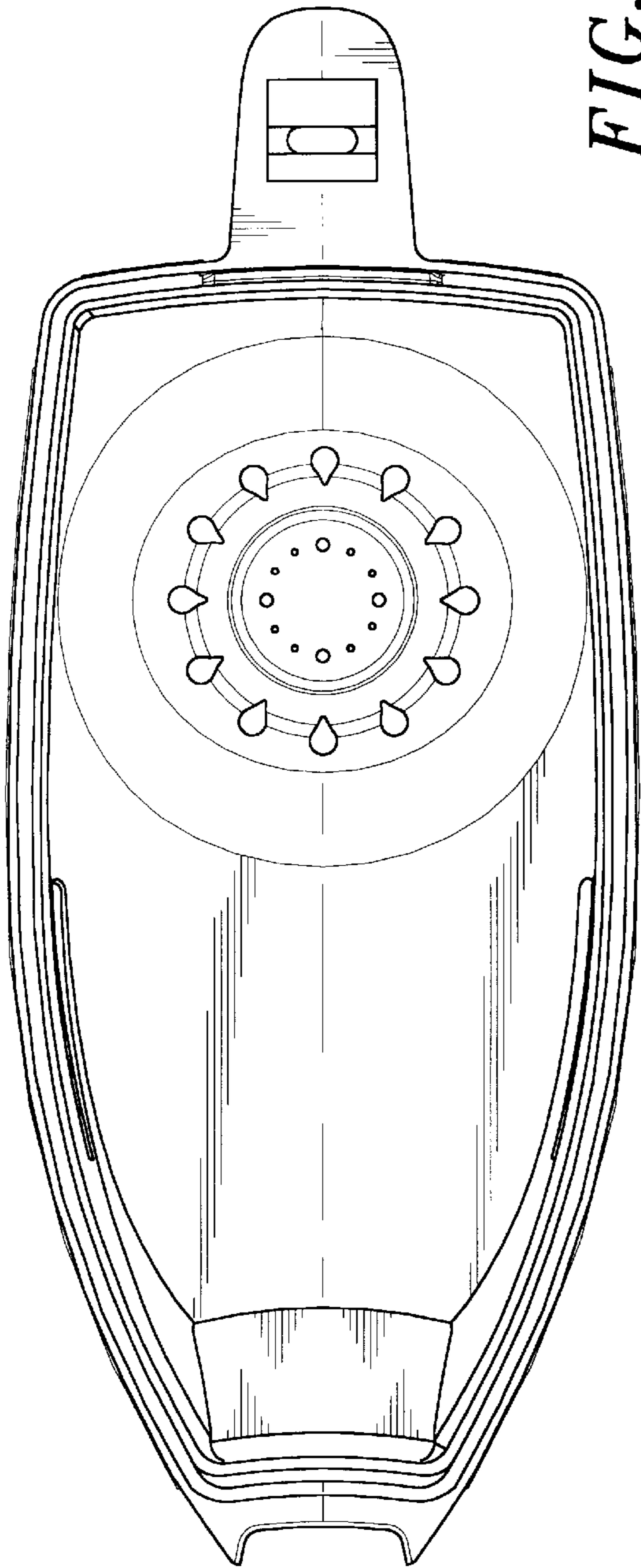


FIG. -6

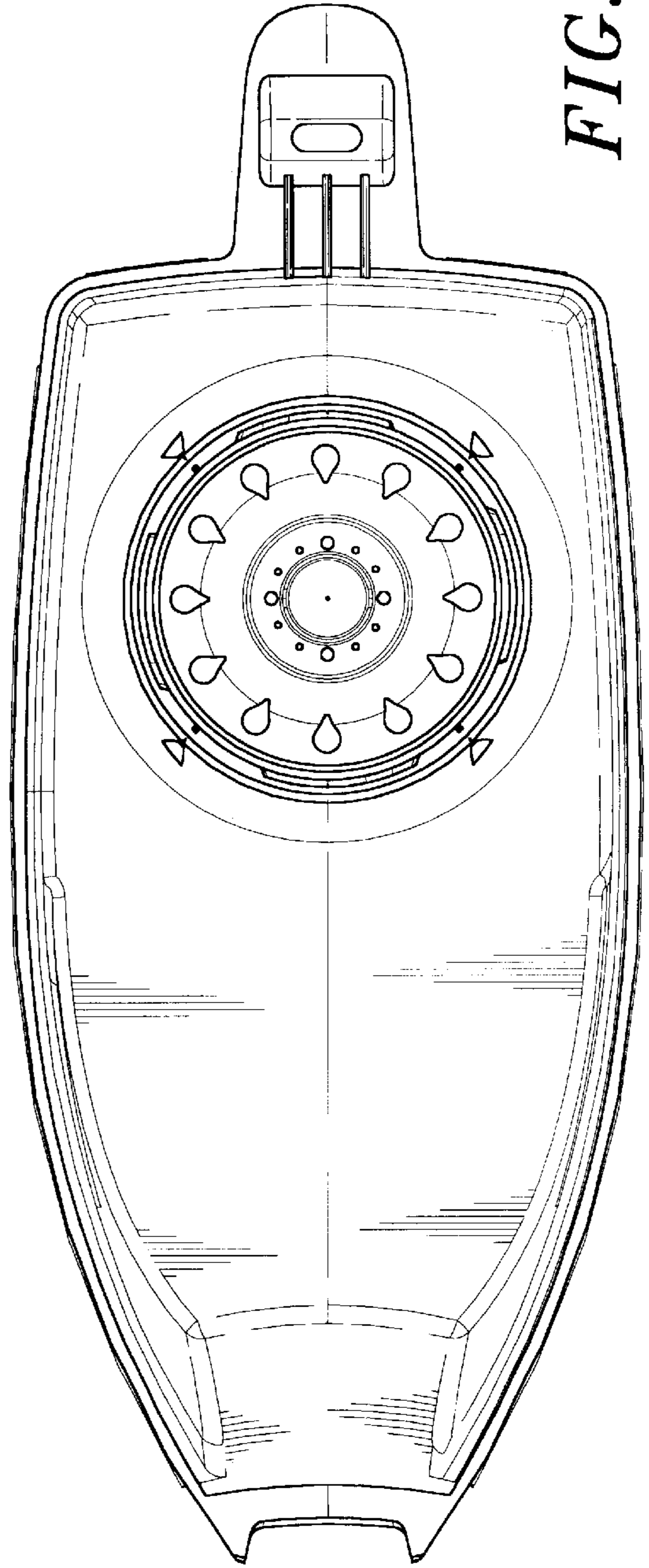


FIG. -7