



US00D437026S

(12) **United States Design Patent**
Tao

(10) **Patent No.:** **US D437,026 S**

(45) **Date of Patent:** **** Jan. 30, 2001**

(54) **FISHING REEL BODY**

(75) Inventor: **Ning Tao**, Rowville (AU)

(73) Assignee: **Jarvis Walker Pty Ltd.**, Victoria (AU)

(**) Term: **14 Years**

(21) Appl. No.: **29/104,082**

(22) Filed: **Apr. 28, 1999**

(30) **Foreign Application Priority Data**

Nov. 3, 1998 (AU) 3512/98

(51) **LOC (7) Cl.** **22-05**

(52) **U.S. Cl.** **D22/141**

(58) **Field of Search** D22/141, 140,
D22/137; 242/370, 224, 223, 234, 235,
236, 237, 238, 239, 240

(56) **References Cited**

U.S. PATENT DOCUMENTS

D. 331,958 * 12/1992 Robbins D22/141

D. 362,487 * 9/1995 Asano et al. D22/141

D. 388,860 * 1/1998 Iwabuchi D22/141

D. 400,960 * 11/1998 Yoshikawa et al. D22/141

* cited by examiner

Primary Examiner—Louis S. Zarfes

Assistant Examiner—Inga-Maria Hyttinen

(74) *Attorney, Agent, or Firm*—Rosenman & Colin, LLP

(57) **CLAIM**

The ornamental design for the fishing reel body, as shown.

DESCRIPTION

FIG. 1 is a perspective view of a fishing reel body showing my new design;

FIG. 2 is a left side view of the fishing reel body shown in FIG. 1;

FIG. 3 is a front view of the fishing reel body shown in FIG. 1;

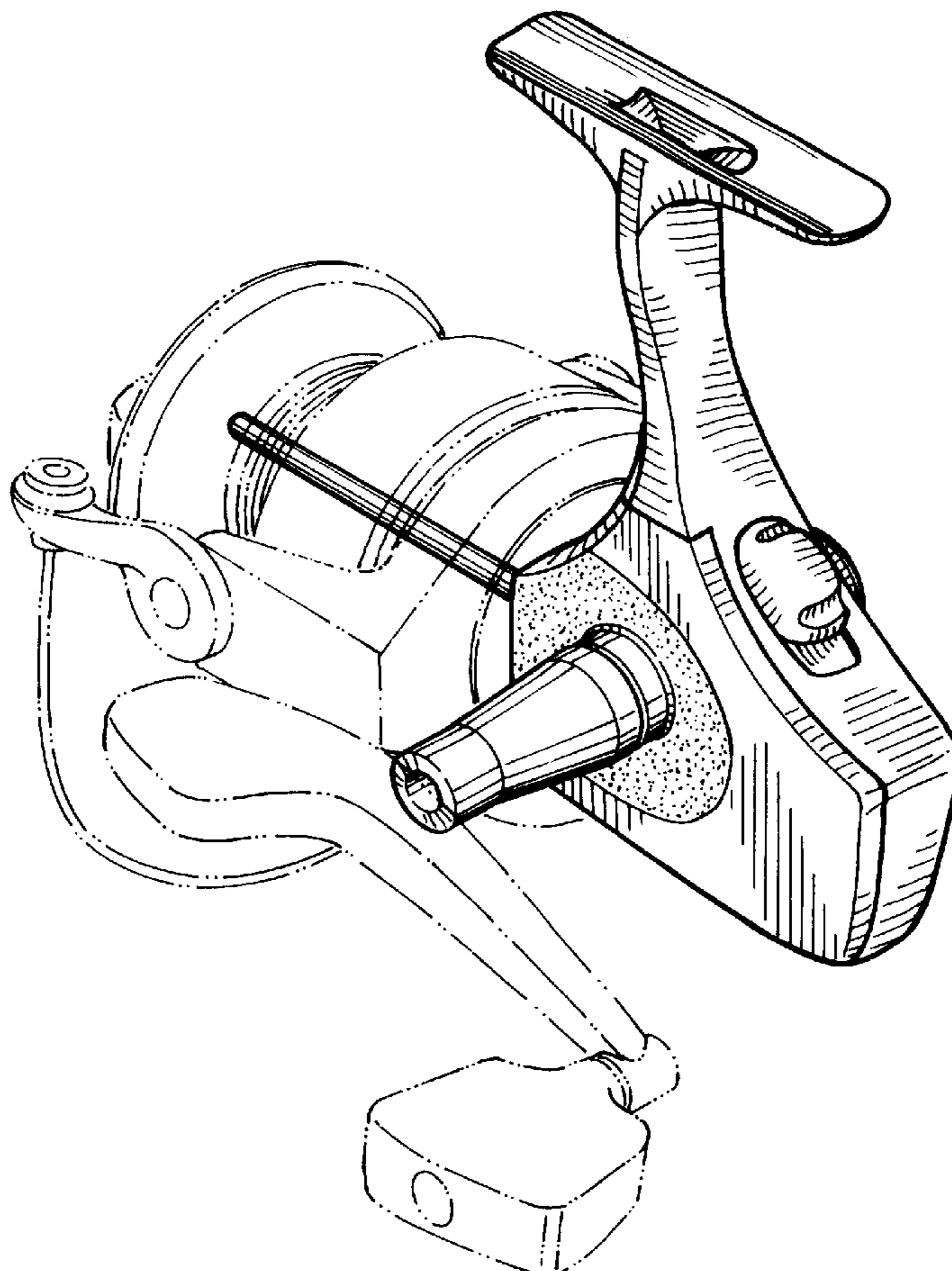
FIG. 4 is a rear view of the fishing reel body shown in FIG. 1;

FIG. 5 is an inverted plan view of the fishing reel body shown in FIG. 1;

FIG. 6 is a plan view of the fishing reel body shown in FIG. 1; and,

FIG. 7 is a right side view of the fishing reel body shown in FIG. 1.

1 Claim, 4 Drawing Sheets



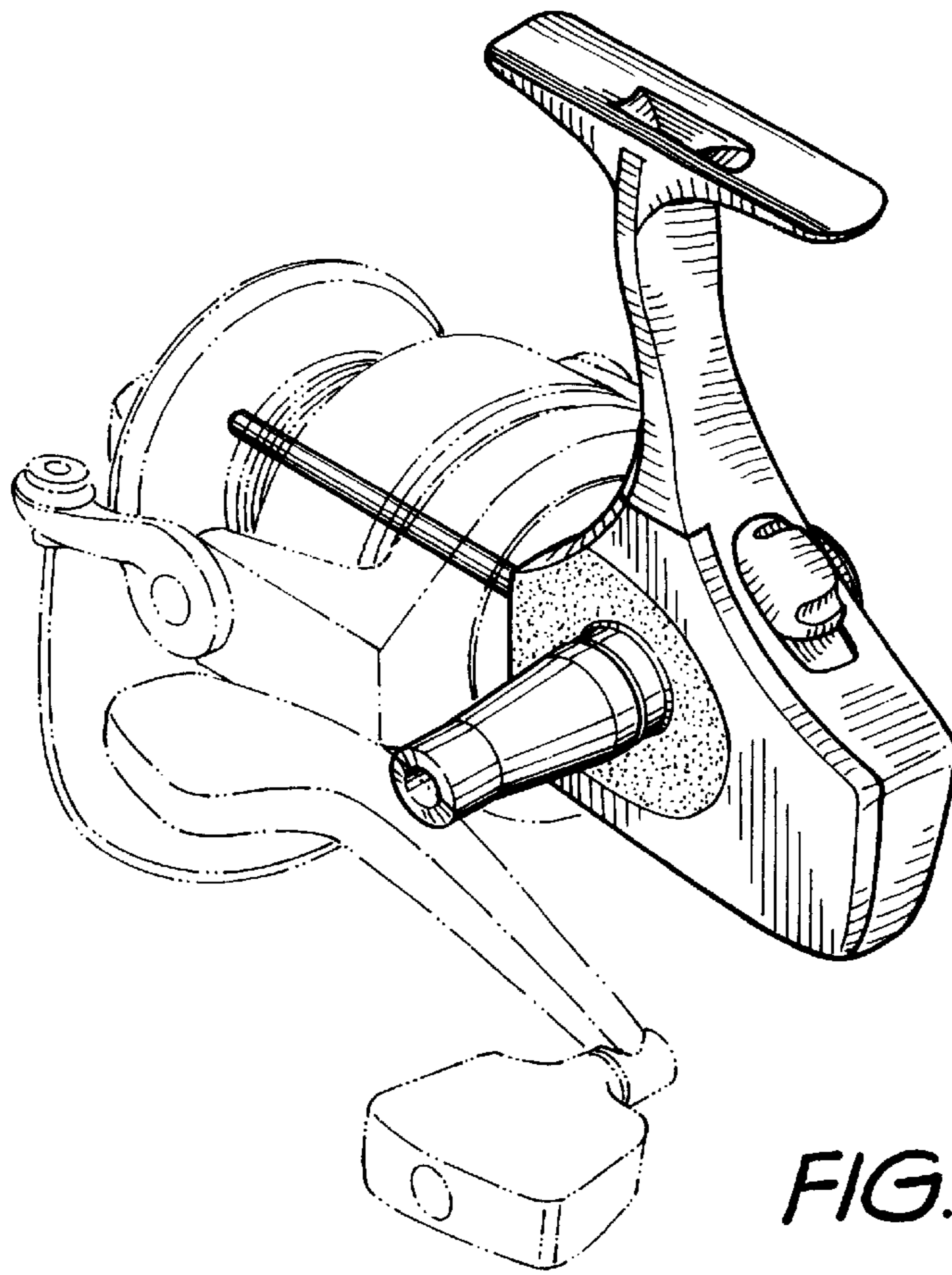


FIG. 1

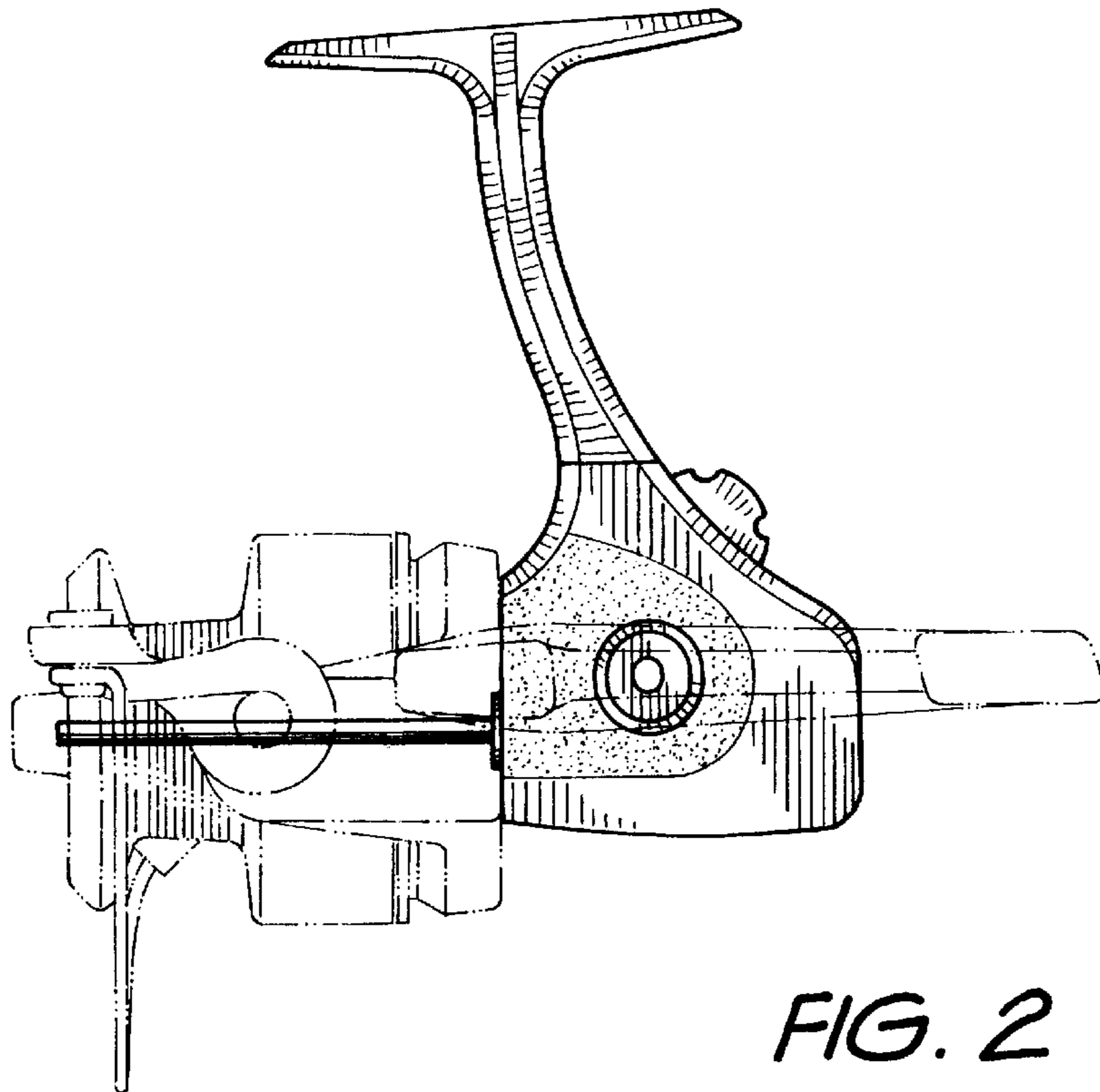


FIG. 2

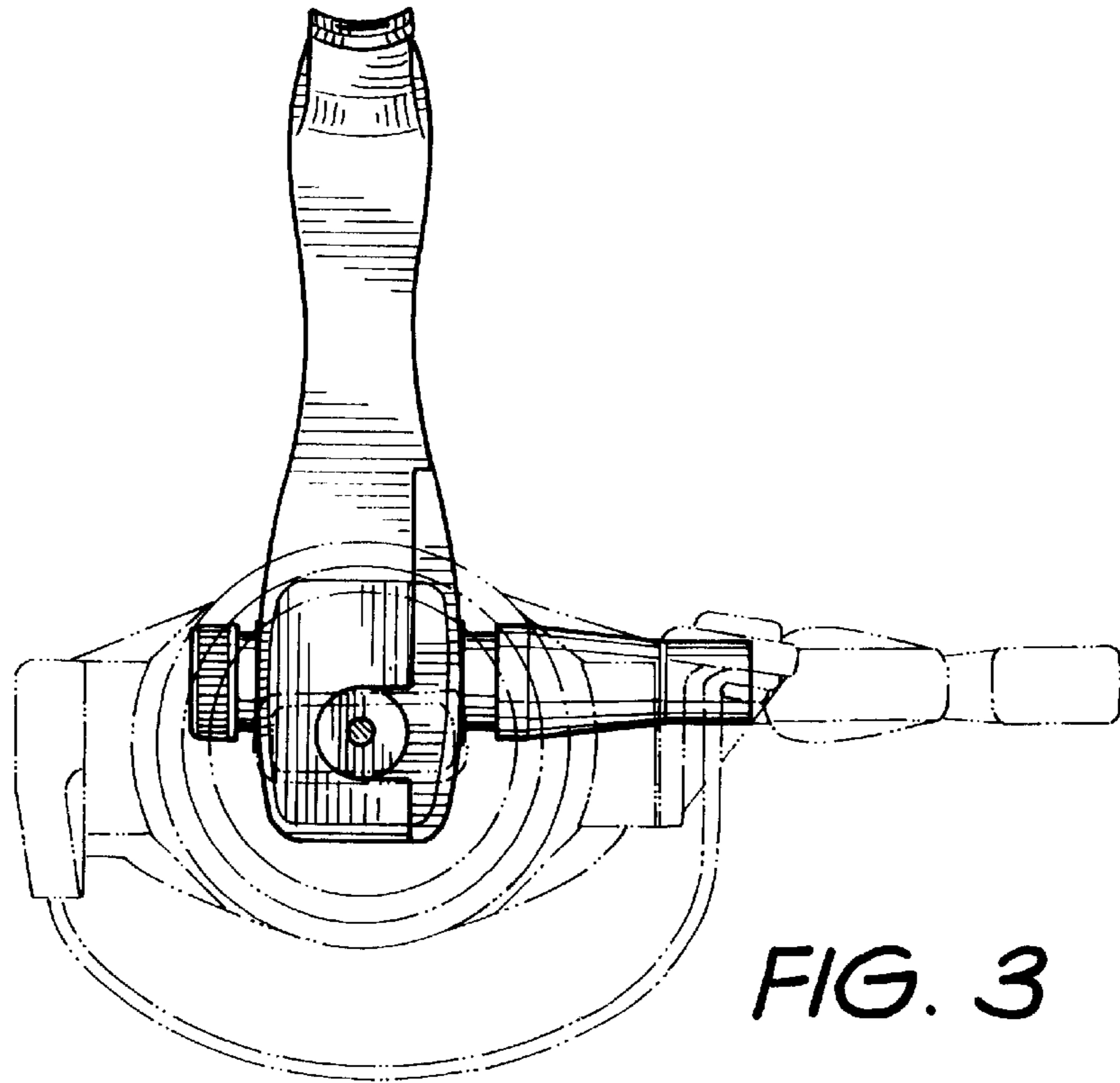


FIG. 3

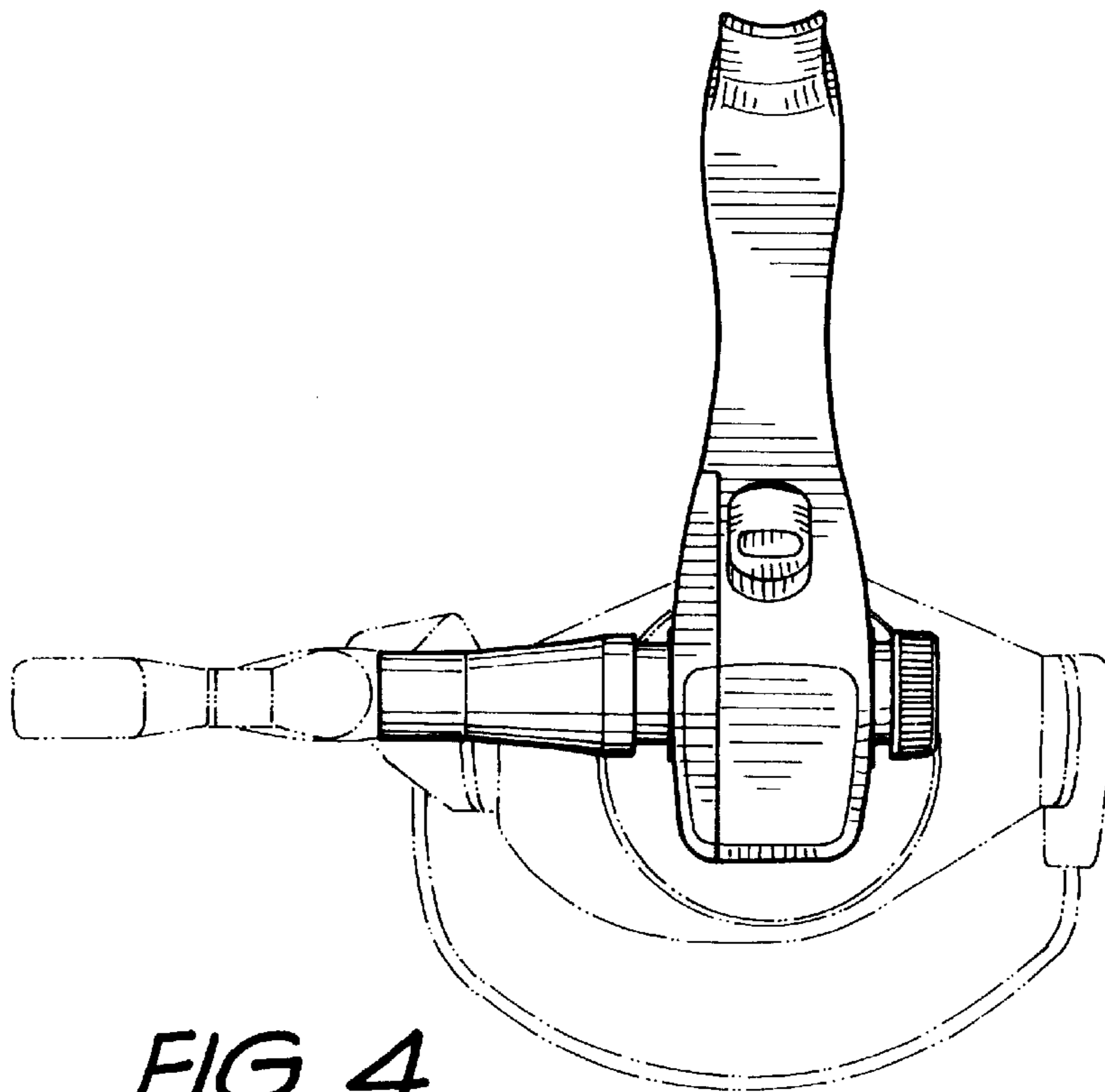


FIG. 4

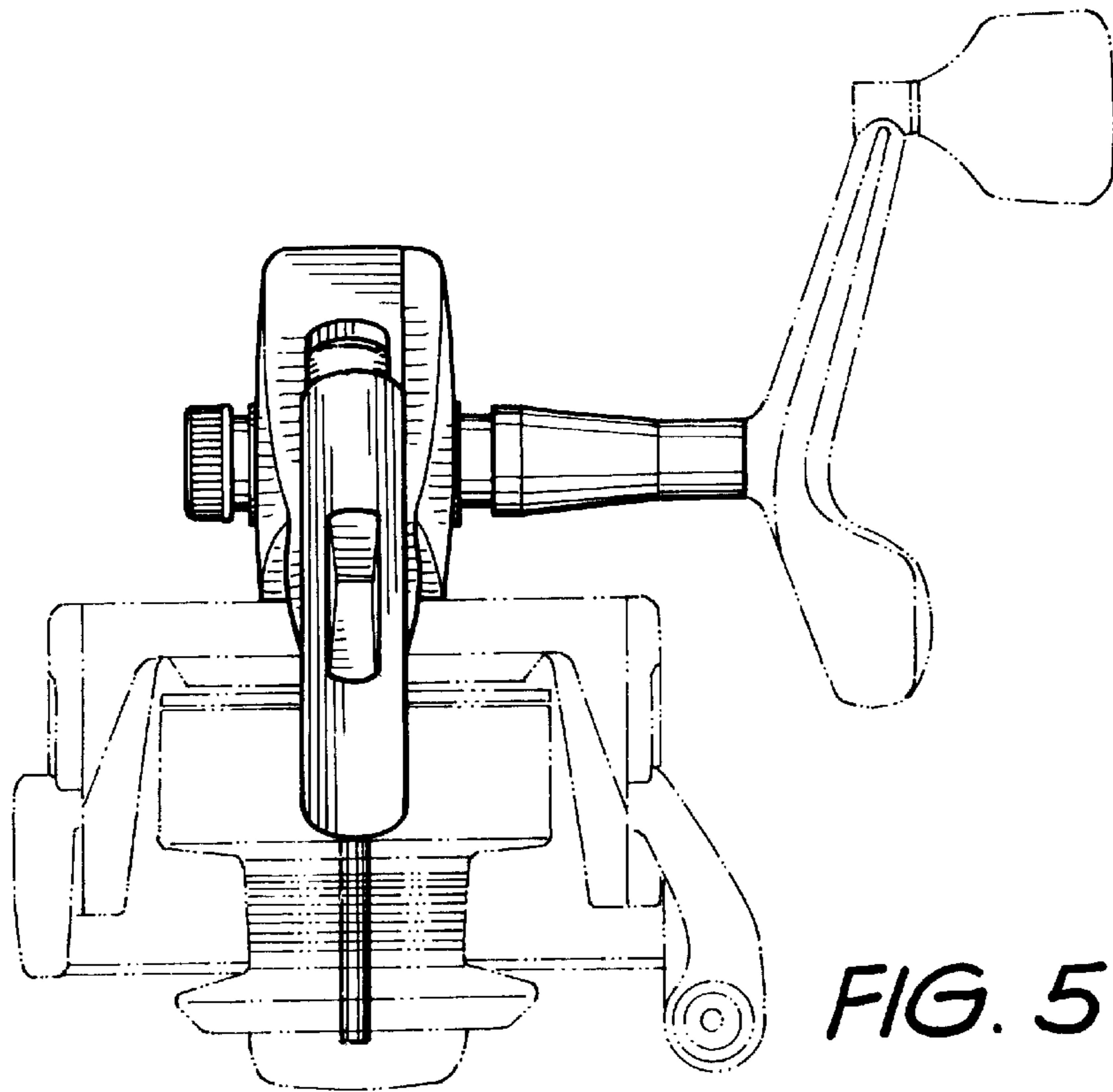


FIG. 5

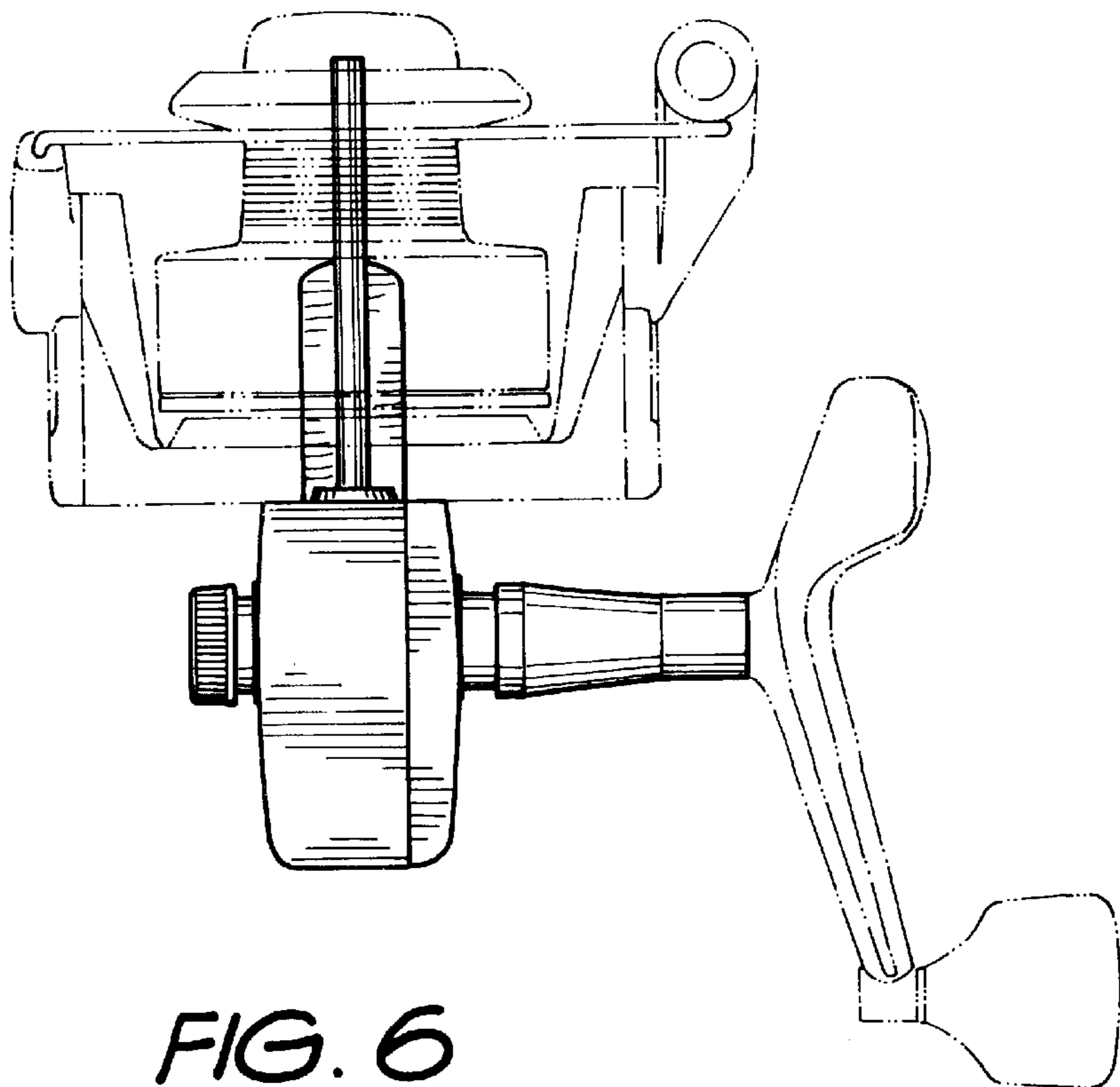


FIG. 6

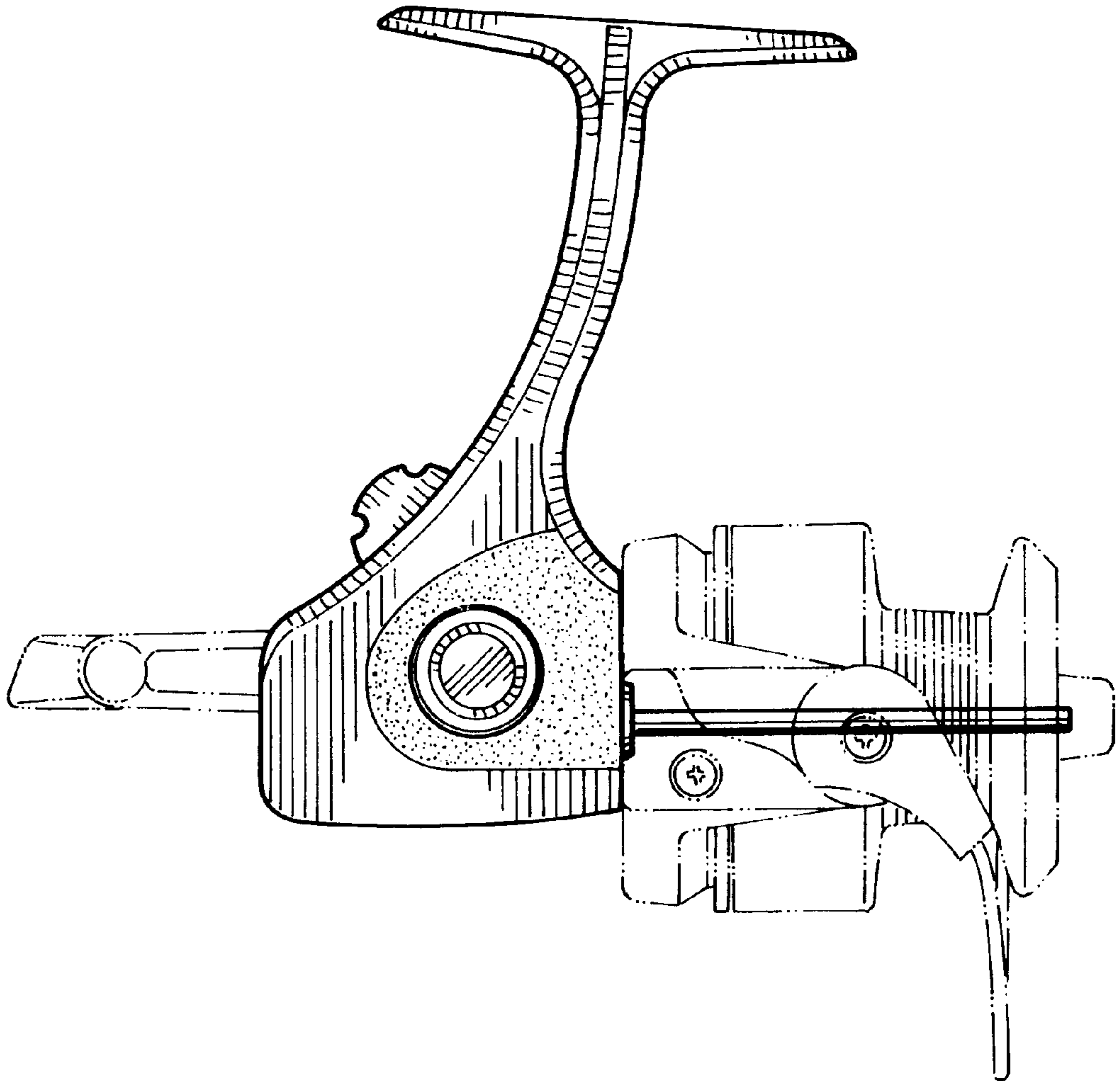


FIG. 7