



US00D437023S

(12) **United States Design Patent**  
**Gourchounian**

(10) **Patent No.:** **US D437,023 S**

(45) **Date of Patent:** **\*\* Jan. 30, 2001**

(54) **INFLATABLE JUMPER**

5,512,002 4/1996 Lieberman ..... 446/221  
5,678,357 10/1997 Rubio et al. .... 52/2.17  
6,019,112 \* 2/2000 Matlock ..... 135/124

(75) Inventor: **Rouben Gourchounian**, Los Angeles,  
CA (US)

**OTHER PUBLICATIONS**

(73) Assignee: **Ninja Jump, Inc.**, Los Angeles, CA  
(US)

Holsaint Trading Limited, Ad, Feb. 23, 1995.\*

Life Magazine, P7, Jun. 1989.\*

(\*\*) Term: **14 Years**

Rouben Gourchounian, Dragon Inflatable, Jun. 21, 1995.

Rouben Gourchounian, Castle Inflatable Jumper, Jun. 21,  
1995.

(21) Appl. No.: **29/128,378**

Rouben Gourchounian, Lion Inflatable Jumper, Jun. 8, 1995.

(22) Filed: **Aug. 23, 2000**

Rouben Gourchounian, Dinosaur Inflatable Jumper, Feb. 28,  
1999.

(51) **LOC (7) Cl.** ..... **21-04**

(52) **U.S. Cl.** ..... **D21/835**

(58) **Field of Search** ..... D21/811, 814,  
D21/834-838; D25/19, 1, 33; 135/124,  
125, 126, 901; 52/2.17, 2.18; 483/29, 35,  
36; 472/134, 135

(List continued on next page.)

*Primary Examiner*—Raphael Barkai

(74) *Attorney, Agent, or Firm*—Jeffer, Mangels, Butler &  
Marmaro LLP

(56) **References Cited**

(57) **CLAIM**

**U.S. PATENT DOCUMENTS**

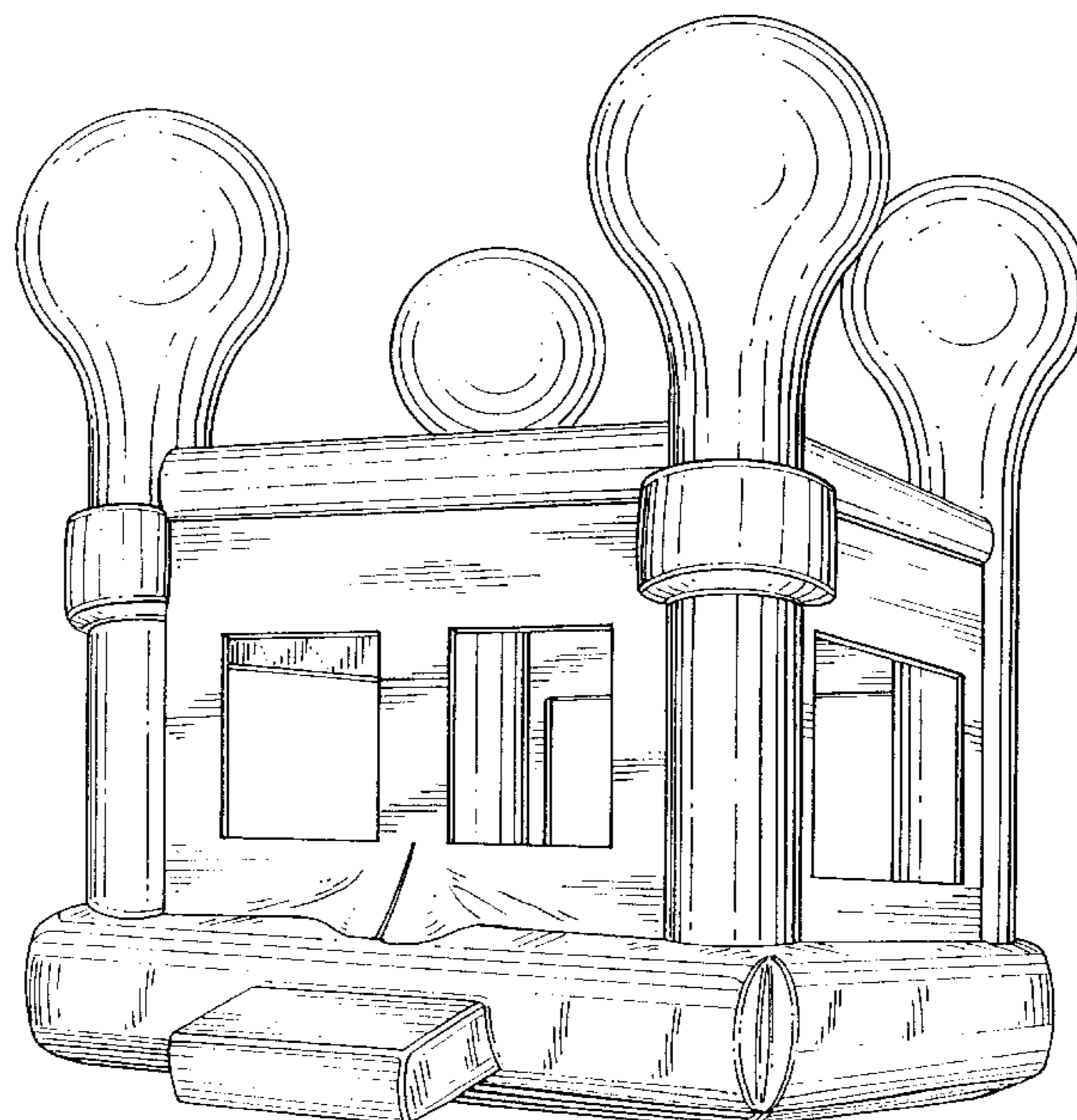
The ornamental design for an inflatable jumper, as shown  
and described.

D. 302,720	*	8/1989	Merrill	.....	D21/835
D. 330,742		11/1992	Matsch	.....	D21/242
D. 344,121		2/1994	Warren	.....	D21/240
D. 366,305	*	1/1996	Roehler	.....	D21/838
D. 382,618		8/1997	Gift	.....	D21/240
D. 389,217		1/1998	Rubio et al.	.....	D21/242
D. 390,905		2/1998	Eldon et al.	.....	D21/240
D. 393,686		4/1998	Coddington, Jr. et al.	.....	D21/240
D. 394,474		5/1998	Horne	.....	D21/253
D. 396,087		7/1998	Liu	.....	D21/253
D. 417,481		12/1999	Schwartz et al.	.....	D21/836
D. 422,667	*	4/2000	Lau	.....	D21/814
3,145,719	*	8/1964	Johnson	.....	D21/838
5,004,633		4/1991	Lovik	.....	428/9
5,131,880		7/1992	Nesbit et al.	.....	446/180
5,462,505		10/1995	Blair et al.	.....	482/27
5,471,797		12/1995	Murphy	.....	52/2.17

**DESCRIPTION**

FIG. 1 is a perspective view of the inflatable jumper.  
FIG. 2 is a front elevational view of the inflatable jumper  
FIG. 3 is a top plan view of the inflatable jumper.  
FIG. 4 is a right side elevational view of the inflatable  
jumper with the left side elevational view being a mirror  
reflection of the right side elevational view.  
FIG. 5 is a rear elevational view of the inflatable jumper;  
and,  
FIG. 6 is a perspective view of yet another embodiment of  
the present invention with the basket portion of the balloons  
removed.

**1 Claim, 4 Drawing Sheets**



OTHER PUBLICATIONS

Rouben Gourchounian, Clown Inflatable Jumper, Mar. 20, 1996.

Rouben Gourchounian, Giraffe Inflatable Jumper, May 14, 1996.

Rouben Gourchounian, Honey Bear Inflatable Jumper, Dec. 18, 1996.

Rouben Gourchounian, Rockets Inflatable Jumper, Oct. 6, 1997.

Rouben Gourchounian, Sports Arena Inflatable Jumper, Jan. 21, 1998.

Rouben Gourchounian, Dalmation Inflatable Jumper, Apr. 30, 1997.

Rouben Gourchounian, Sea World Inflatable Jumper, May 27, 1998.

Rouben Gourchounian, Cake Inflatable Jumper, Mar. 16, 1998.

Rouben Gourchounian, School Bus Inflatable Jumper, Dec. 22, 1998.

Rouben Gourchounian, Circus Inflatable Jumper, Dec. 30, 1998.

Rouben Gourchounian, Robo Ranger Inflatable Jumper, ar. 19, 1996.

\* cited by examiner

FIG. 1

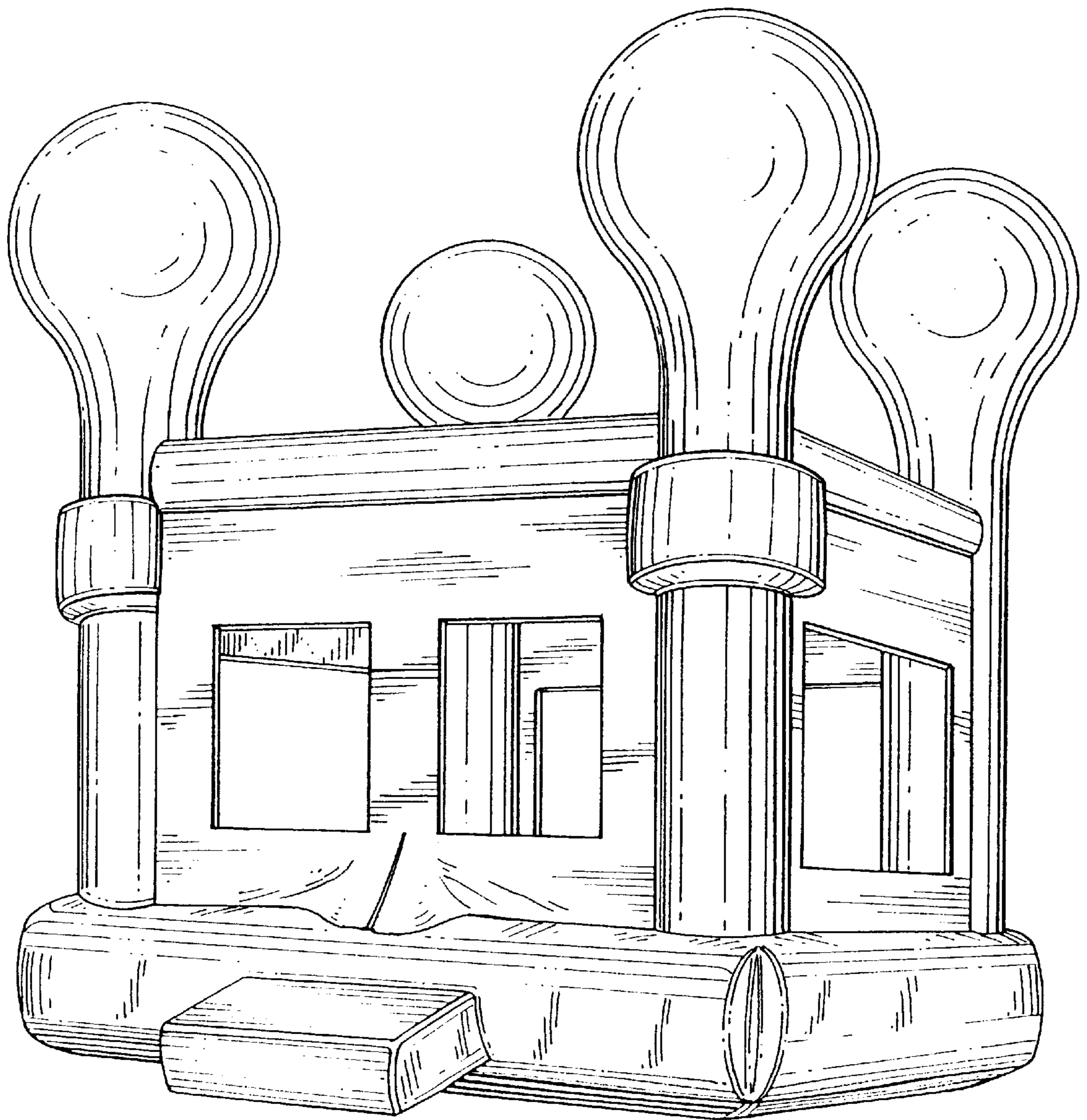


FIG. 3

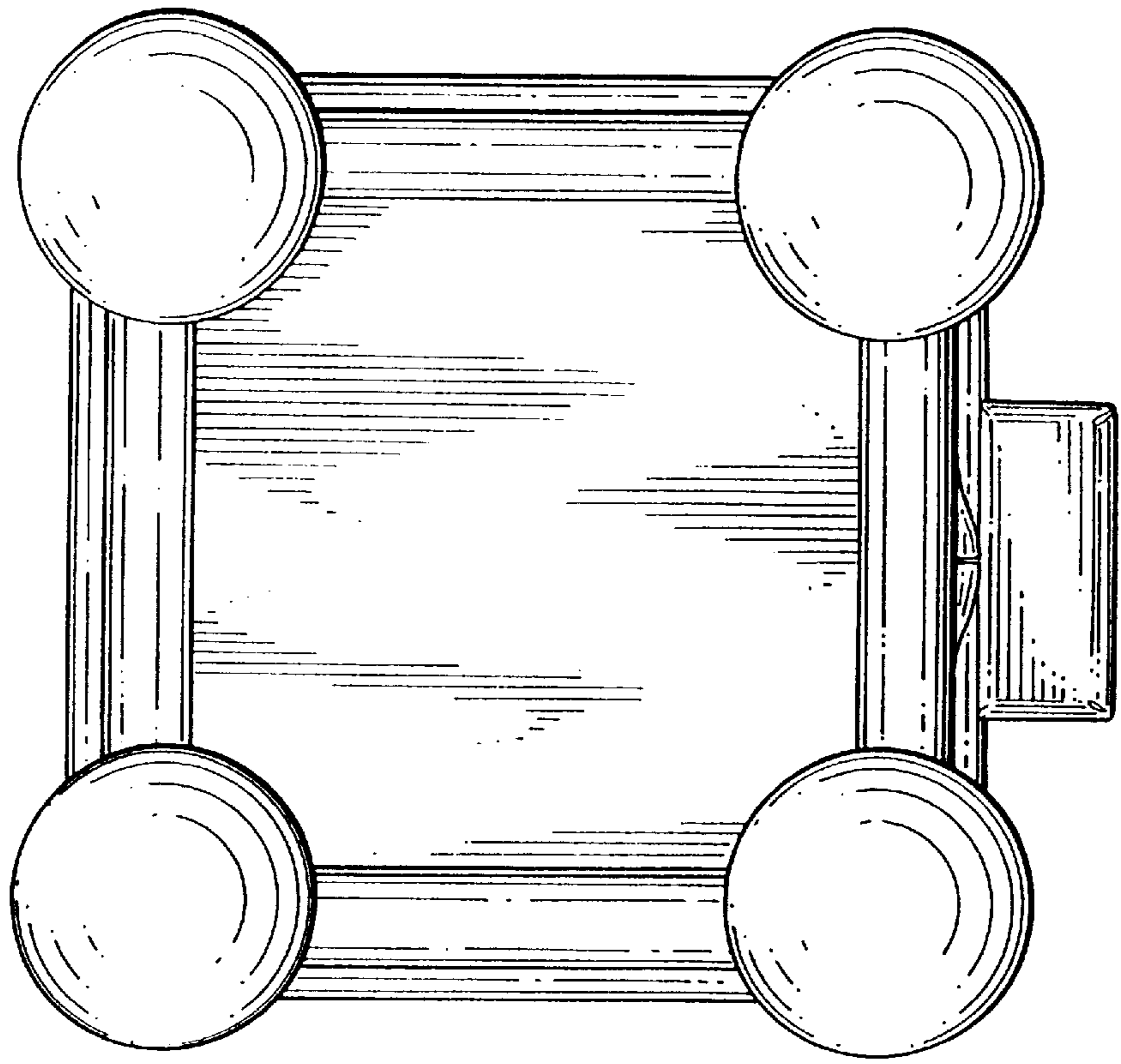


FIG. 2

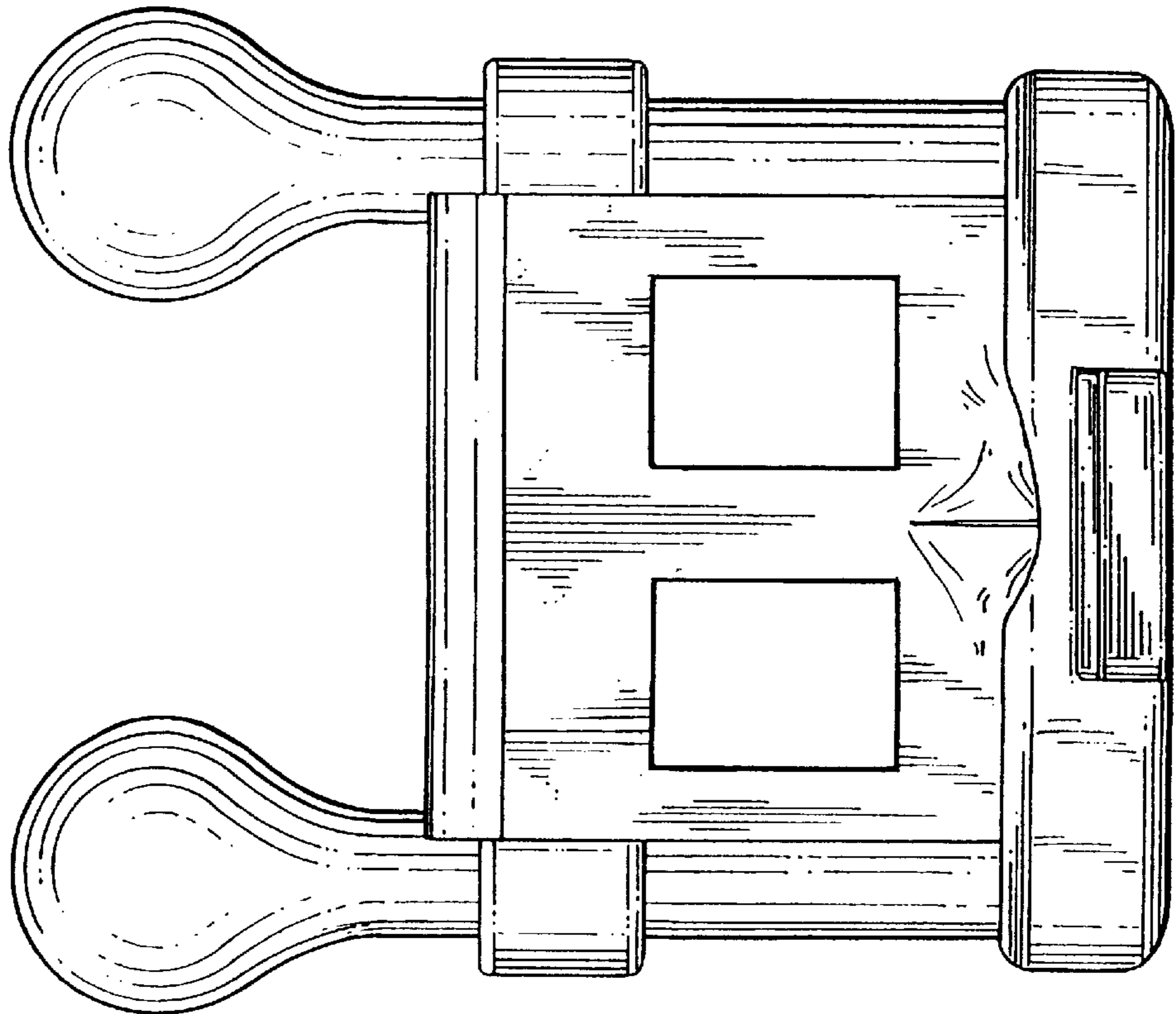


FIG. 5

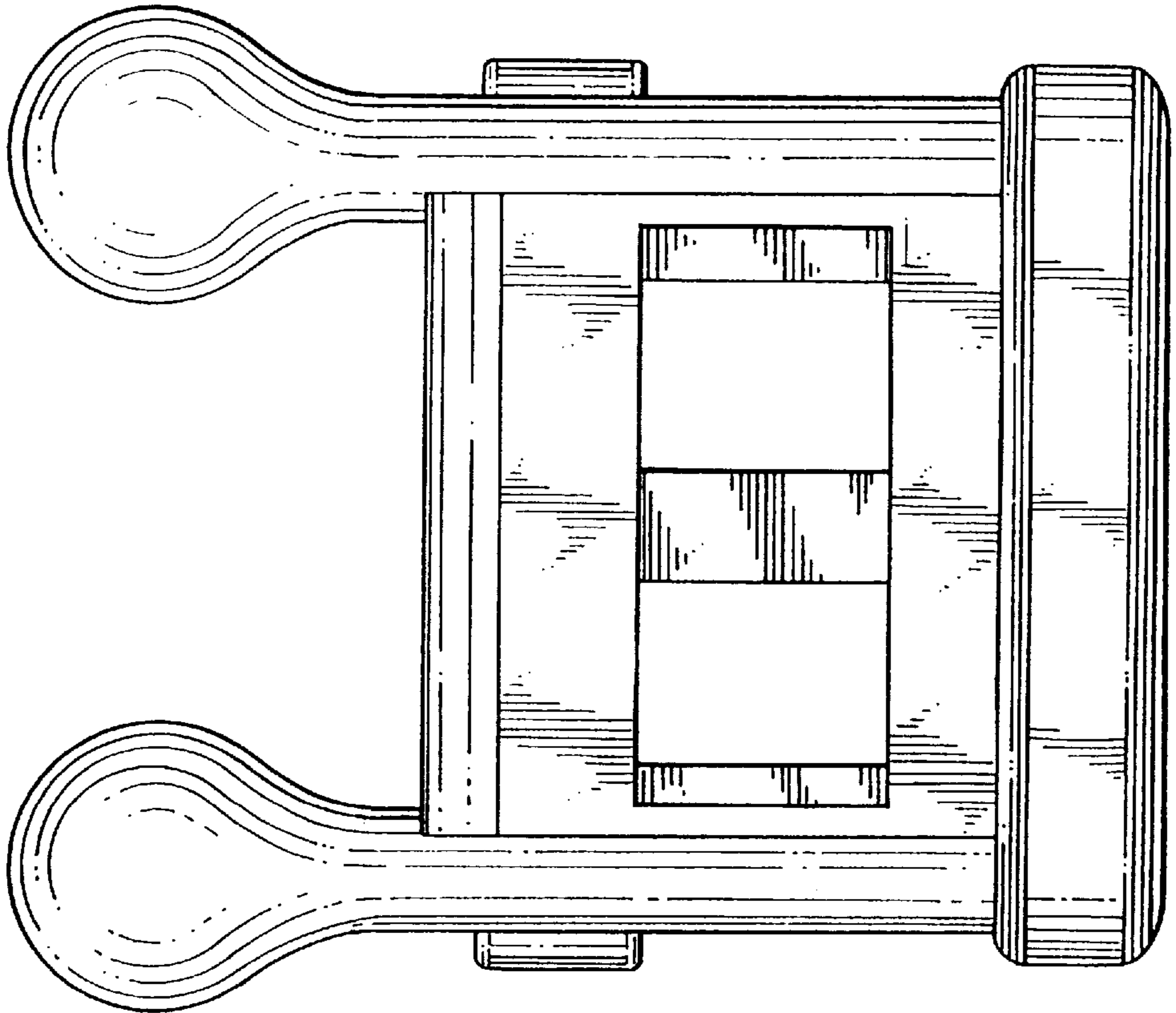


FIG. 4

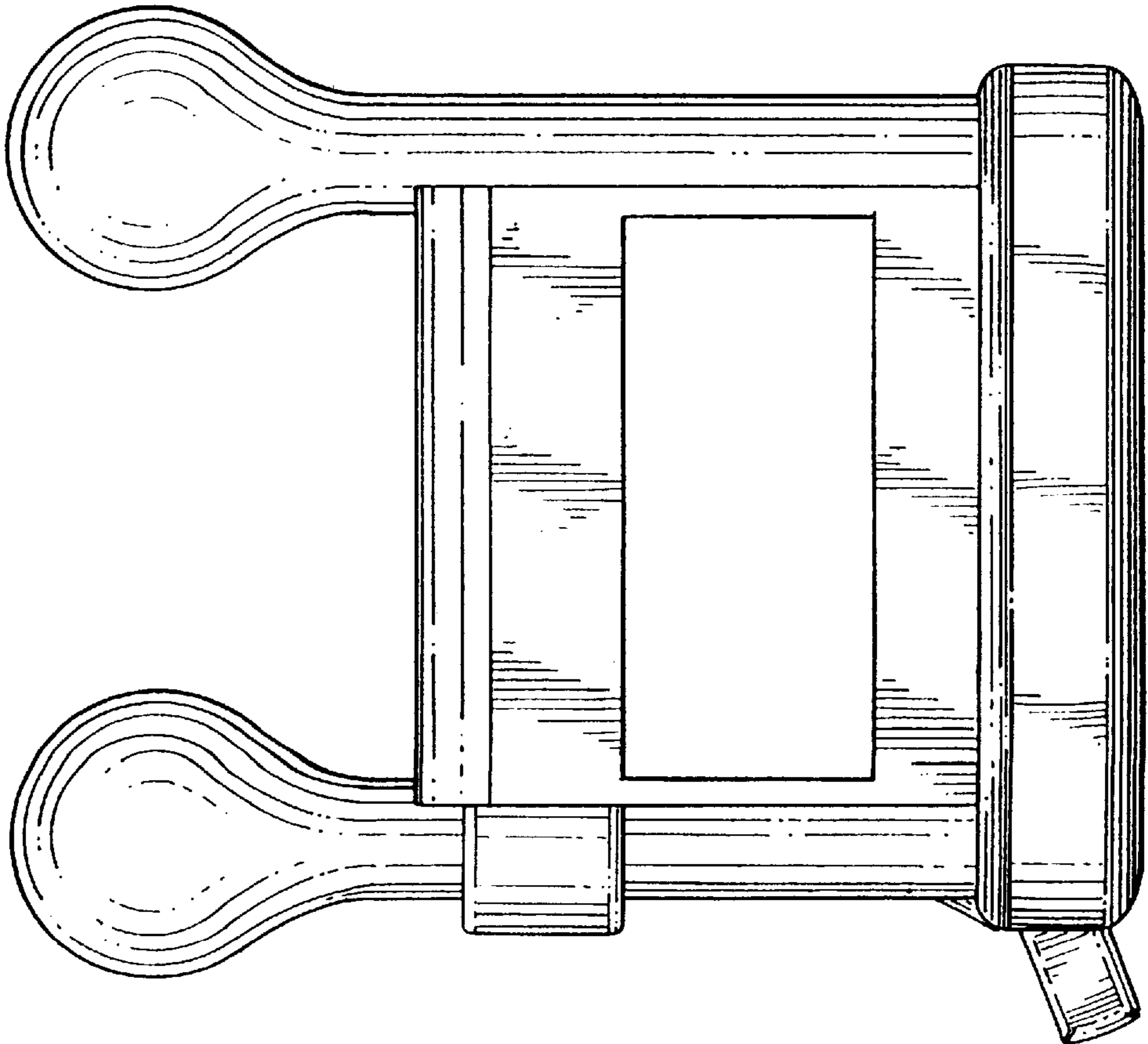


FIG. 6

