



US00D437022S

(12) **United States Design Patent**
Gourchounian

(10) **Patent No.:** **US D437,022 S**

(45) **Date of Patent:** **** Jan. 30, 2001**

(54) **INFLATABLE JUMPER**

(75) **Inventor:** **Rouben Gourchounian**, Los Angeles, CA (US)

(73) **Assignee:** **Ninja Jump, Inc.**, Los Angeles, CA (US)

(**) **Term:** **14 Years**

(21) **Appl. No.:** **29/128,351**

(22) **Filed:** **Aug. 23, 2000**

(51) **LOC (7) Cl.** **21-04**

(52) **U.S. Cl.** **D21/835**

(58) **Field of Search** D21/811, 814,
D21/834-838; D25/19-33; 135/124, 125,
126, 901; 52/2.17, 2.18; 482/29, 35, 36;
472/134, 135

(56) **References Cited**

U.S. PATENT DOCUMENTS

| | | | | | |
|------------|---|---------|------------------------|-------|---------|
| D. 302,720 | * | 8/1989 | Merrill | | D21/835 |
| D. 330,742 | | 11/1992 | Matsch | | D21/242 |
| D. 344,121 | | 2/1994 | Warren | | D21/240 |
| D. 366,305 | * | 1/1996 | Roehler | | D21/838 |
| D. 382,618 | | 8/1997 | Gift | | D21/240 |
| D. 389,217 | | 1/1998 | Rubio et al. | | D21/242 |
| D. 390,905 | | 2/1998 | Eldon et al. | | D21/240 |
| D. 393,686 | | 4/1998 | Coddington, Jr. et al. | | D21/240 |
| D. 394,474 | | 5/1998 | Horne | | D21/253 |
| D. 396,087 | | 7/1998 | Liu | | D21/253 |
| D. 417,481 | | 12/1999 | Schwartz et al. | | D21/836 |
| D. 422,667 | * | 4/2000 | Lau | | D21/814 |
| 3,145,719 | * | 8/1964 | Johnson | | D21/838 |
| 5,004,633 | | 4/1991 | Lovik | | 428/9 |
| 5,131,880 | | 7/1992 | Nesbit et al. | | 446/180 |
| 5,462,505 | | 10/1995 | Blair et al. | | 482/27 |
| 5,471,797 | | 12/1995 | Murphy | | 52/2.17 |
| 5,512,002 | | 4/1996 | Lieberman | | 446/221 |
| 5,678,357 | | 10/1997 | Rubio et al. | | 52/2.17 |
| 6,019,112 | * | 2/2000 | Matlock | | 135/124 |

OTHER PUBLICATIONS

Holsaint Trading Limited, AD, Feb. 23, 1995.*

Life Magazine, p. 7, Jun. 1989.*

Rouben Gourchounian, Dragon Inflatable, Jun. 21, 1995.

Rouben Gourchounian, Castle Inflatable Jumper, Jun. 21, 1995.

Rouben Gourchounian, Lion Inflatable Jumper, Jun. 8, 1995.

Rouben Gourchounian, Dinosaur Inflatable Jumper, Feb. 28, 1999.

Rouben Gourchounian, Clown Inflatable Jumper, Mar. 20, 1996.

Rouben Gourchounian, Giraffe Inflatable Jumper, May 14, 1996.

Rouben Gourchounian, Honey Bear Inflatable Jumper, Dec. 18, 1996.

Rouben Gourchounian, Rockets Inflatable Jumper, Oct. 6, 1997.

Rouben Gourchounian, Sports Arena Inflatable Jumper, Jan. 21, 1998.

Rouben Gourchounian, Dalmation Inflatable Jumper, Apr. 30, 1997.

Rouben Gourchounian, Sea World Inflatable Jumper, May 27, 1998.

(List continued on next page.)

Primary Examiner—Raphael Barkai

(74) *Attorney, Agent, or Firm*—Jeffer, Mangels, Butler & Marmaro LLP

(57) **CLAIM**

The ornamental design for an inflatable jumper, as shown and described.

DESCRIPTION

FIG. 1 is a perspective view of the inflatable jumper.

FIG. 2 is a right side elevational view of the inflatable jumper with the left side elevational view being a mirror reflection of the right side elevational view.

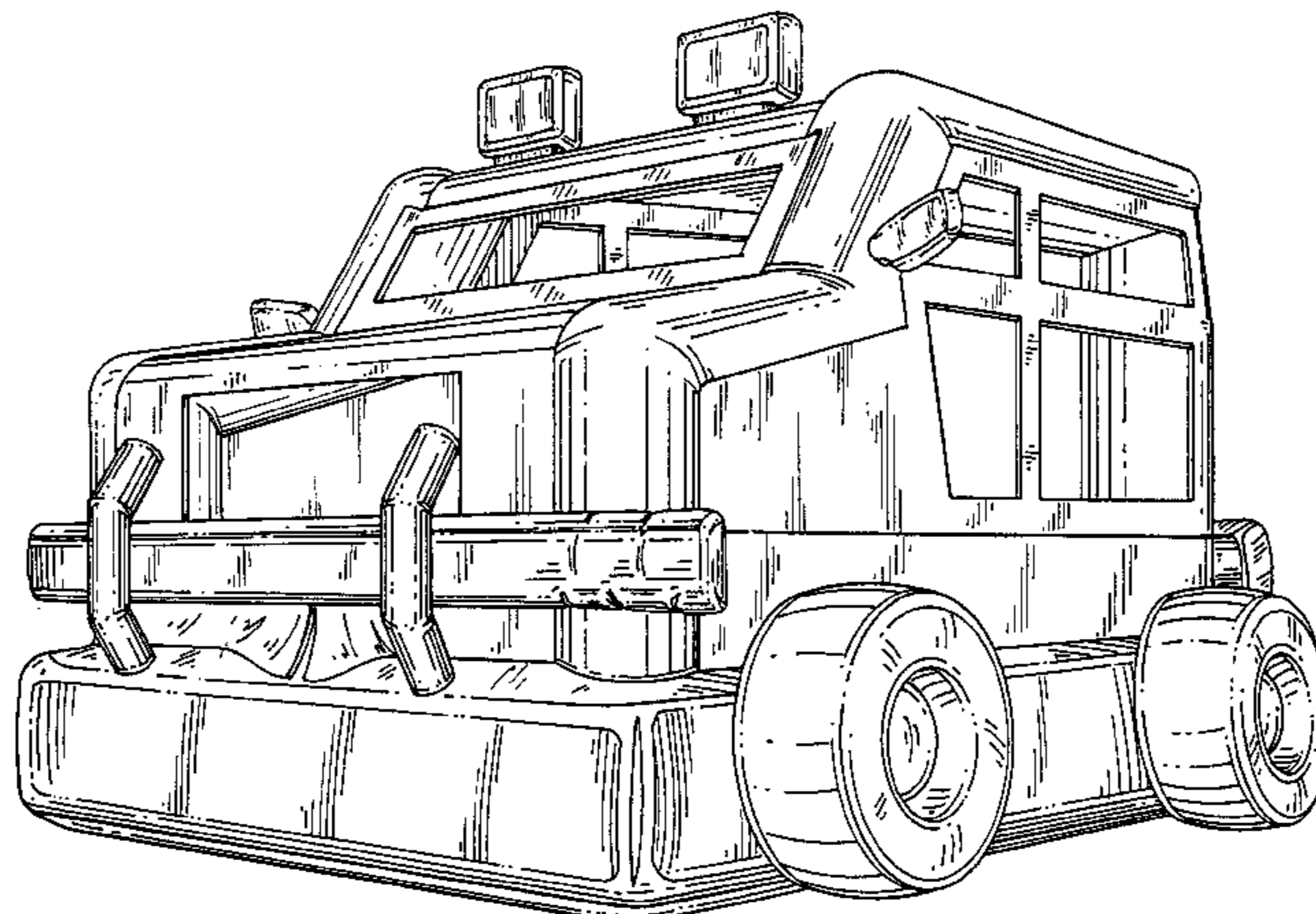
FIG. 3 is a front elevational view of the inflatable jumper.

FIG. 4 is a rear elevational view of the inflatable jumper.

FIG. 5 is a top plan view of the inflatable jumper; and,

FIG. 6 is a perspective view of yet another embodiment of the present invention.

1 Claim, 6 Drawing Sheets



OTHER PUBLICATIONS

Rouben Gourchounian, Cake Inflatable Jumper, Mar. 16, 1998.

Rouben Gourchounian, School Bus Inflatable Jumper, Dec. 22, 1998.

Rouben Gourchounian, Circus Inflatable Jumper, Dec. 30, 1998.

Rouben Gourchounian, Robo Ranger Inflatable Jumper, Mar. 19, 1996.

* cited by examiner

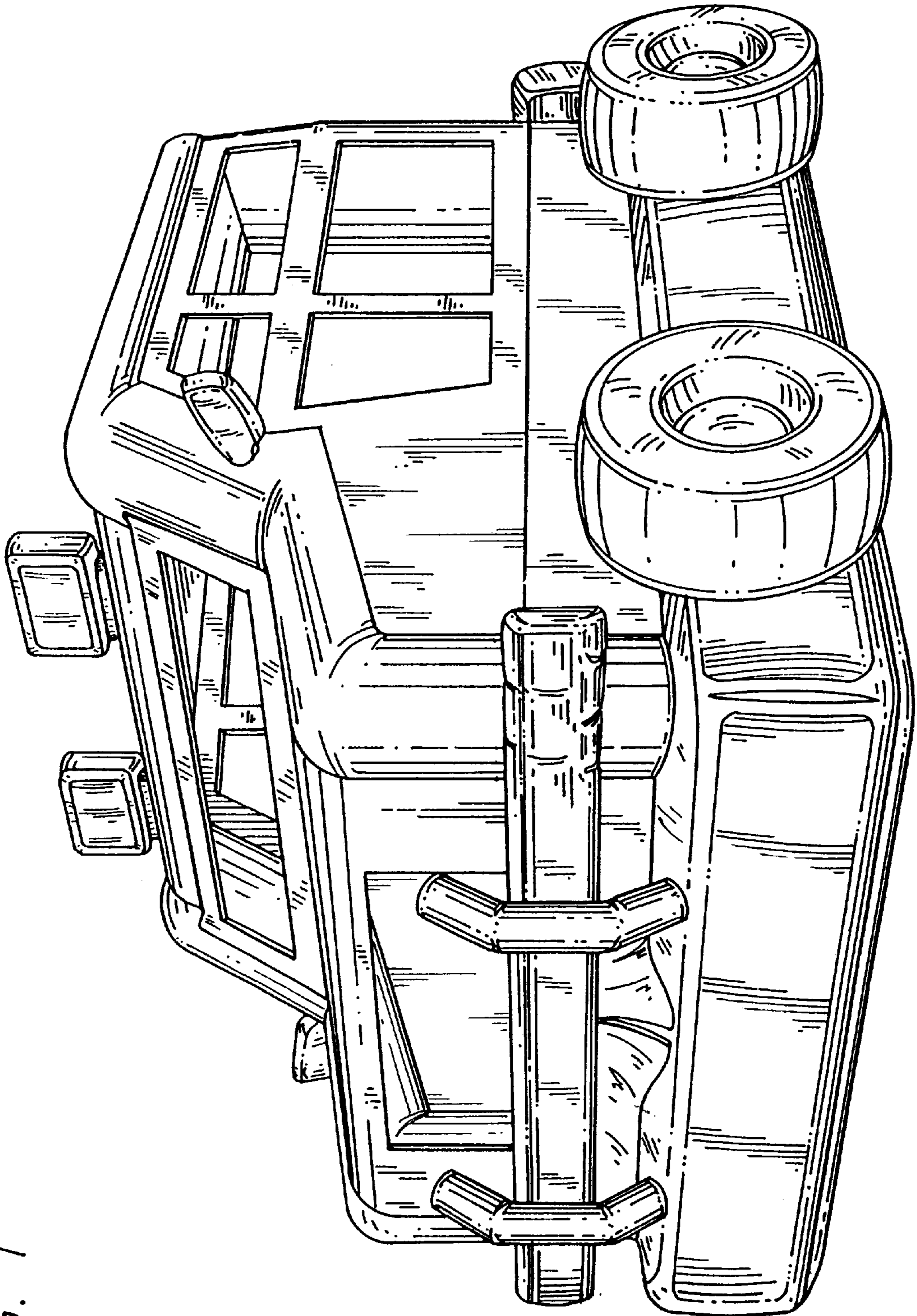


FIG. 1

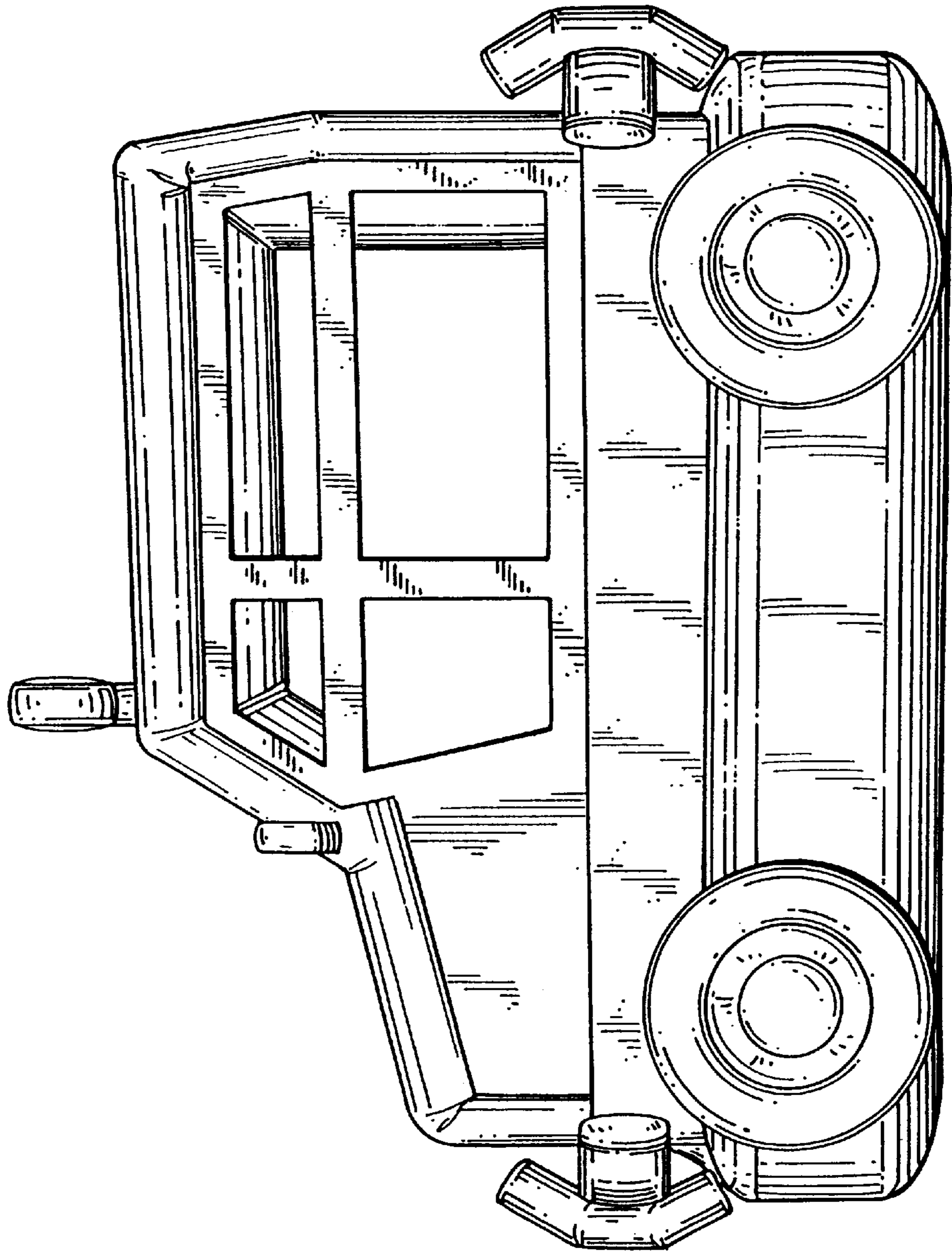


FIG. 2

FIG. 3

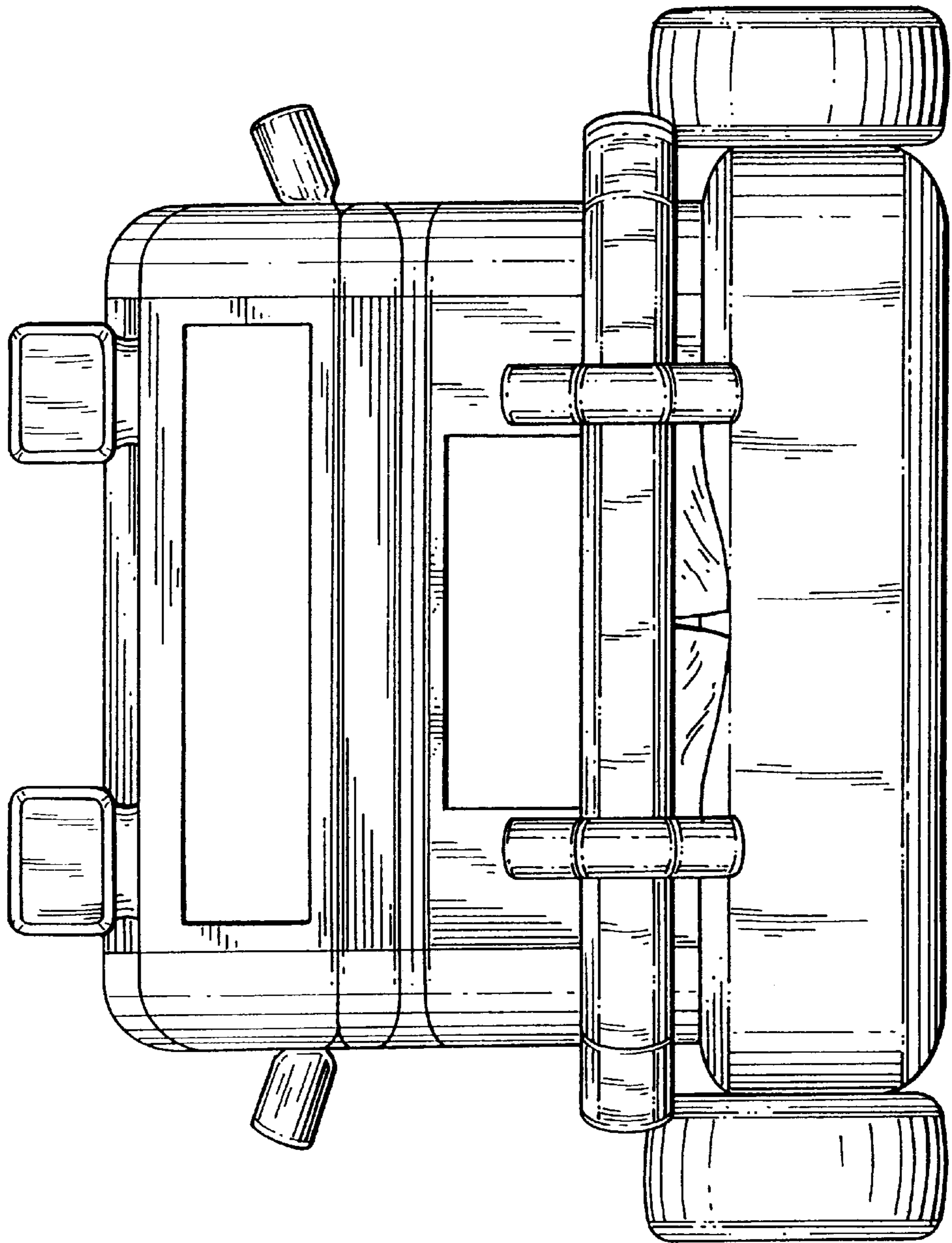


FIG. 4

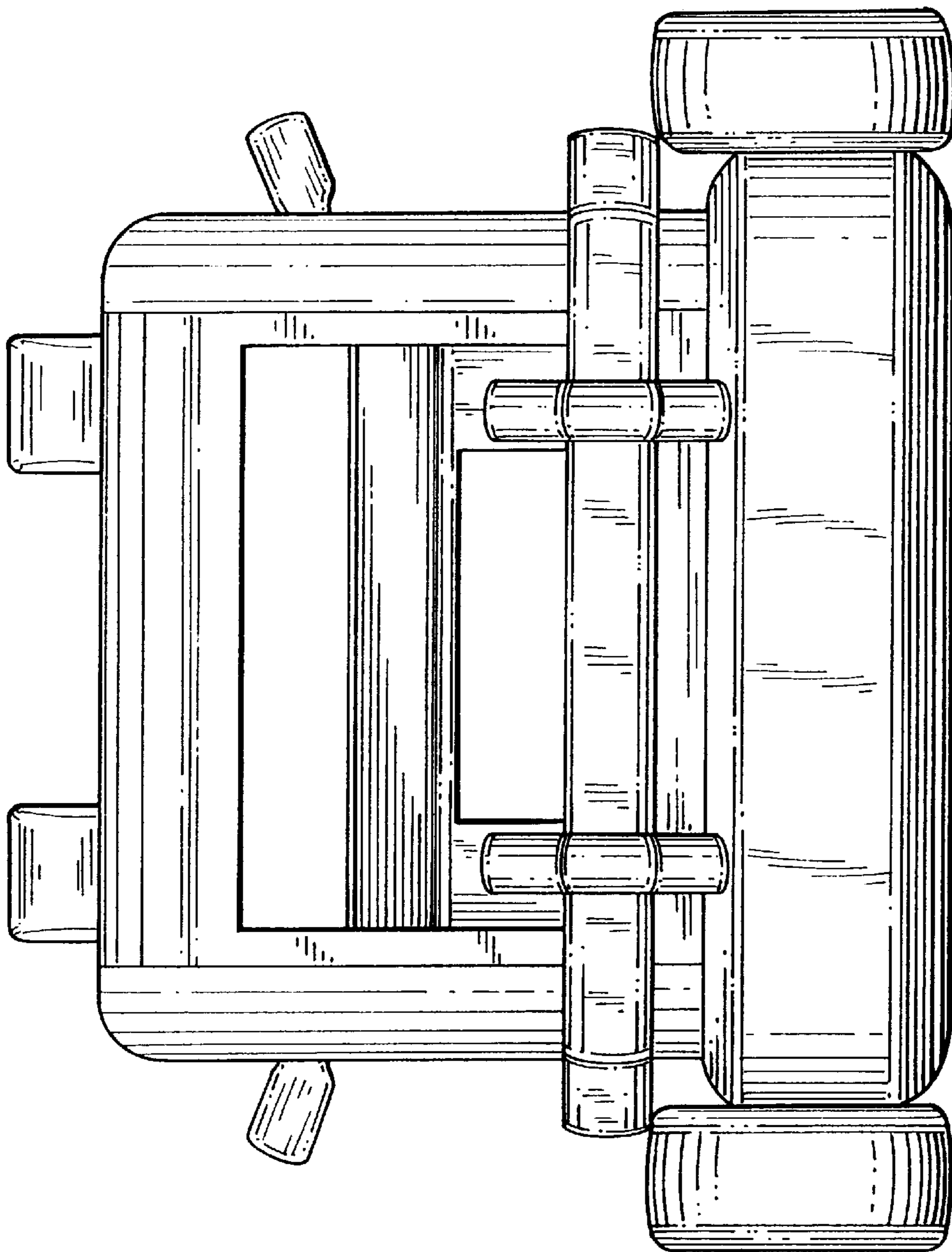


FIG. 5

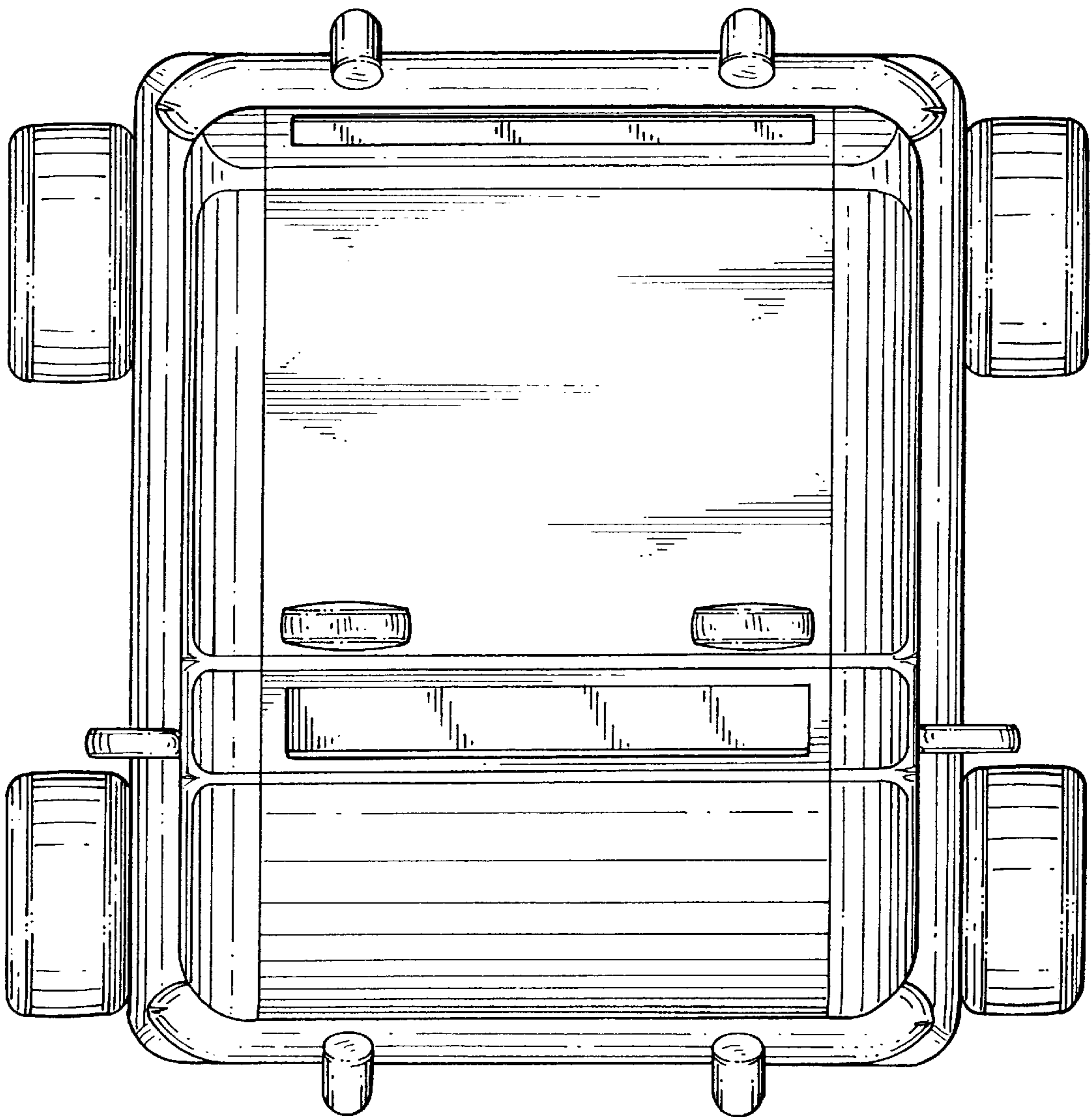


FIG. 6

