



US00D437019S

(12) **United States Design Patent**
Colón

(10) **Patent No.:** **US D437,019 S**

(45) **Date of Patent:** **** Jan. 30, 2001**

(54) **FITTING FOR A SKATEBOARD**

(75) Inventor: **Becket Colón**, Vallentuna (SE)

(73) Assignee: **Performance SK8 Products AB**,
Vallentuna (SE)

(**) Term: **14 Years**

(21) Appl. No.: **29/110,969**

(22) Filed: **Sep. 20, 1999**

(30) **Foreign Application Priority Data**

Mar. 18, 1999 (SE) 990508

(51) **LOC (7) Cl.** **21-01**

(52) **U.S. Cl.** **D21/771; D21/765**

(58) **Field of Search** **D21/760, 763-765,**
D21/771, 772, 776; 280/87.042, 87.041

(56) **References Cited**

U.S. PATENT DOCUMENTS

D. 343,436	*	1/1994	Park	D21/765
2,308,251	*	1/1943	Terzi	D21/776
2,315,342	*	3/1943	Lieberman	D21/776
3,374,495	*	3/1968	Joyce	D21/776
4,140,326	*	2/1979	Huber	280/87.042
4,896,893	*	1/1990	Shumays	280/87.042
5,080,382	*	1/1992	Franz	280/87.042
5,119,277	*	6/1992	Copley	280/87.042
6,059,315	*	5/2000	Selph	280/87.042

OTHER PUBLICATIONS

Hong Kong Enterprise, p. 593, Jun. 1991.*

* cited by examiner

Primary Examiner—Raphael Barkai

(74) *Attorney, Agent, or Firm*—Burns, Doane, Swecker & Mathis, L.L.P.

(57) **CLAIM**

I claim the ornamental design for a fitting for a skateboard, as shown and described.

DESCRIPTION

The invention relates to a fitting to be attached to the underside of the front and/or rear ends of a skateboard platform.

FIG. 1 is a bottom rear perspective view of a fitting for a skateboard showing my new design, the broken line showing of the front or rear end of the underside of a skateboard platform is for illustrative purposes only and forms no part of the claimed design;

FIG. 2 is a bottom rear perspective view thereof;

FIG. 3 is a rear elevational view thereof;

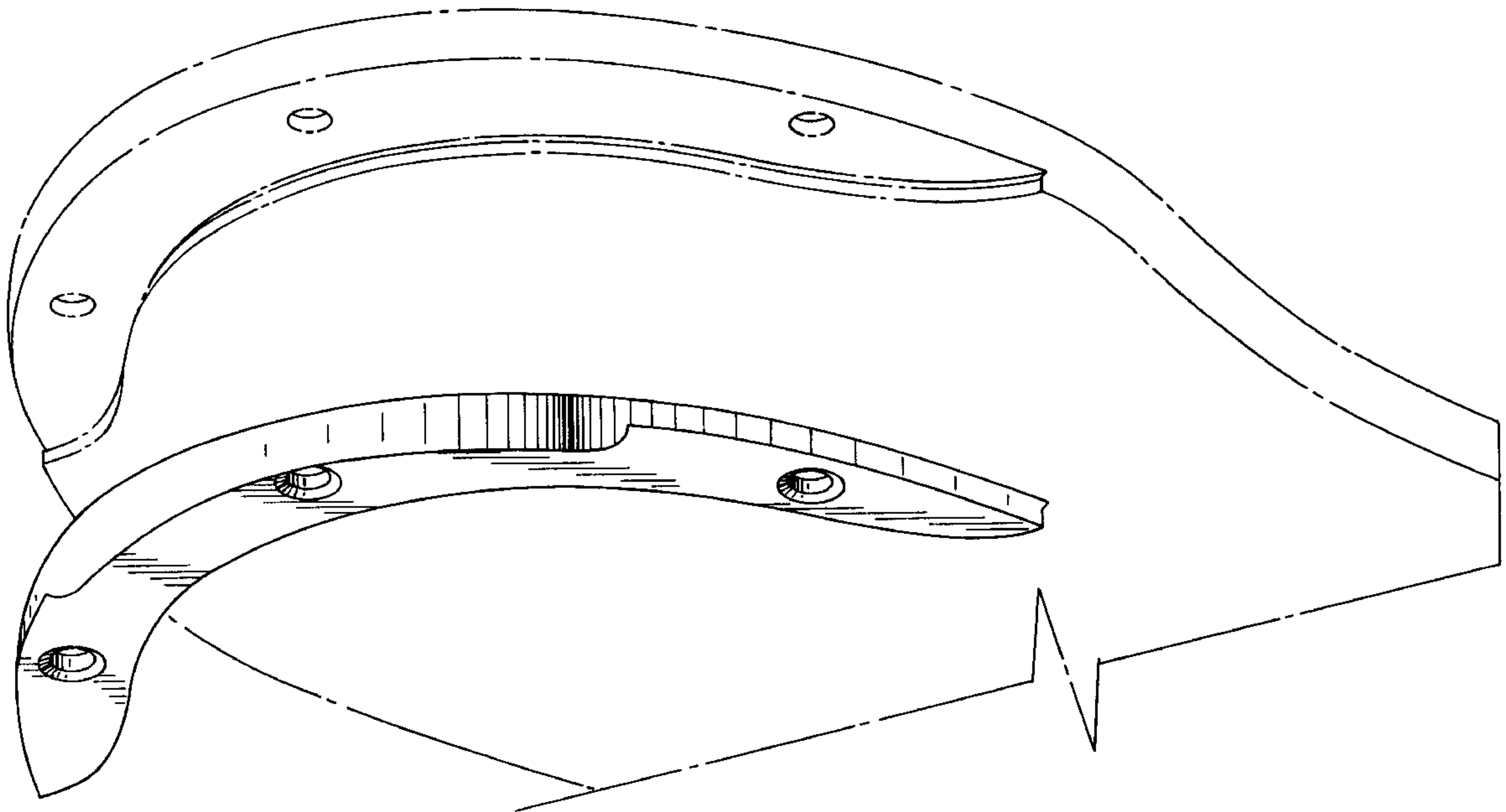
FIG. 4 is a front elevational view thereof;

FIG. 5 is a bottom plan view thereof;

FIG. 6 is a top plan view thereof; and,

FIG. 7 is a left end view thereof, wherein the right end view is a mirror image thereof.

1 Claim, 3 Drawing Sheets



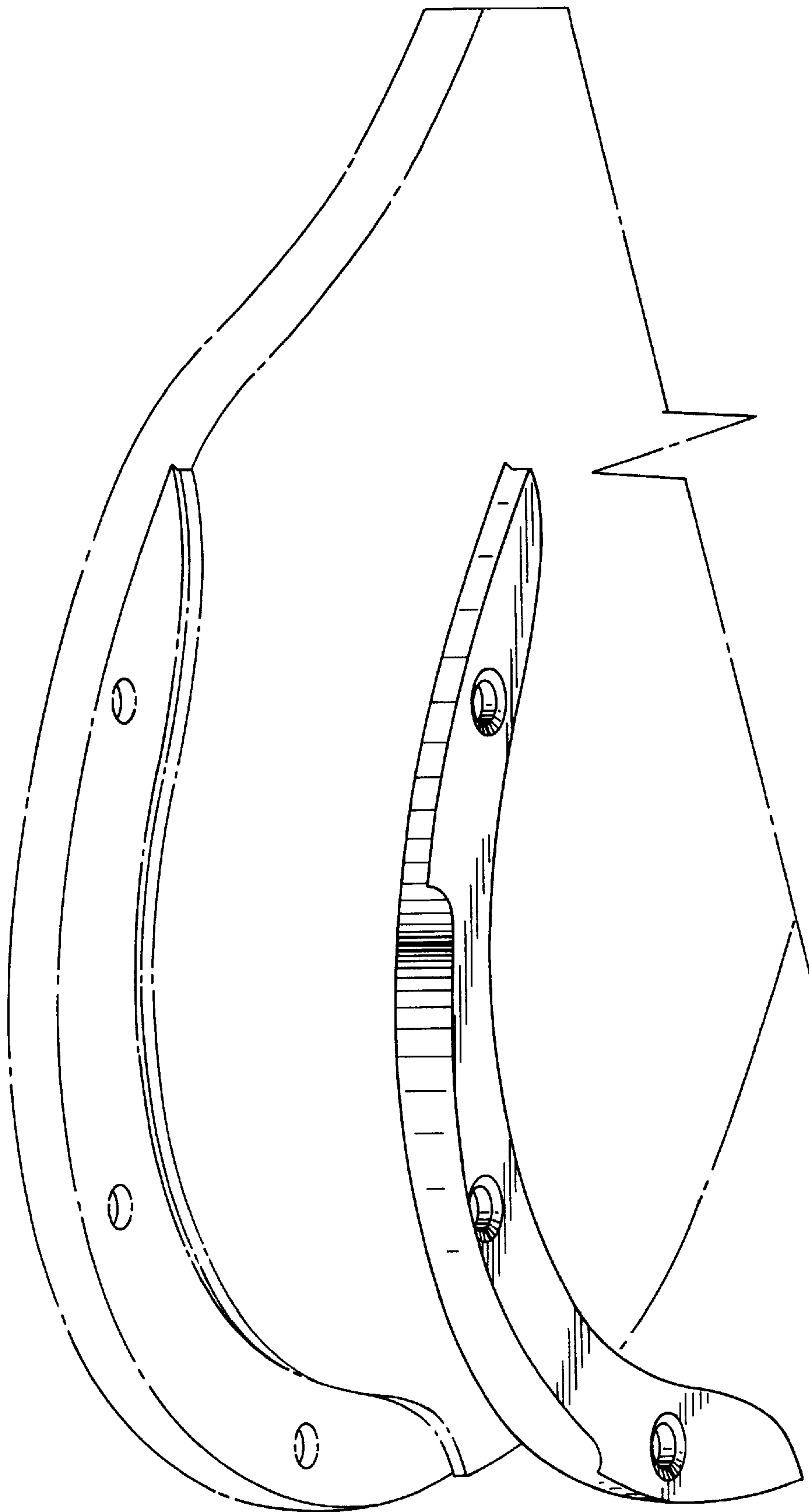


FIG. 1

FIG. 2

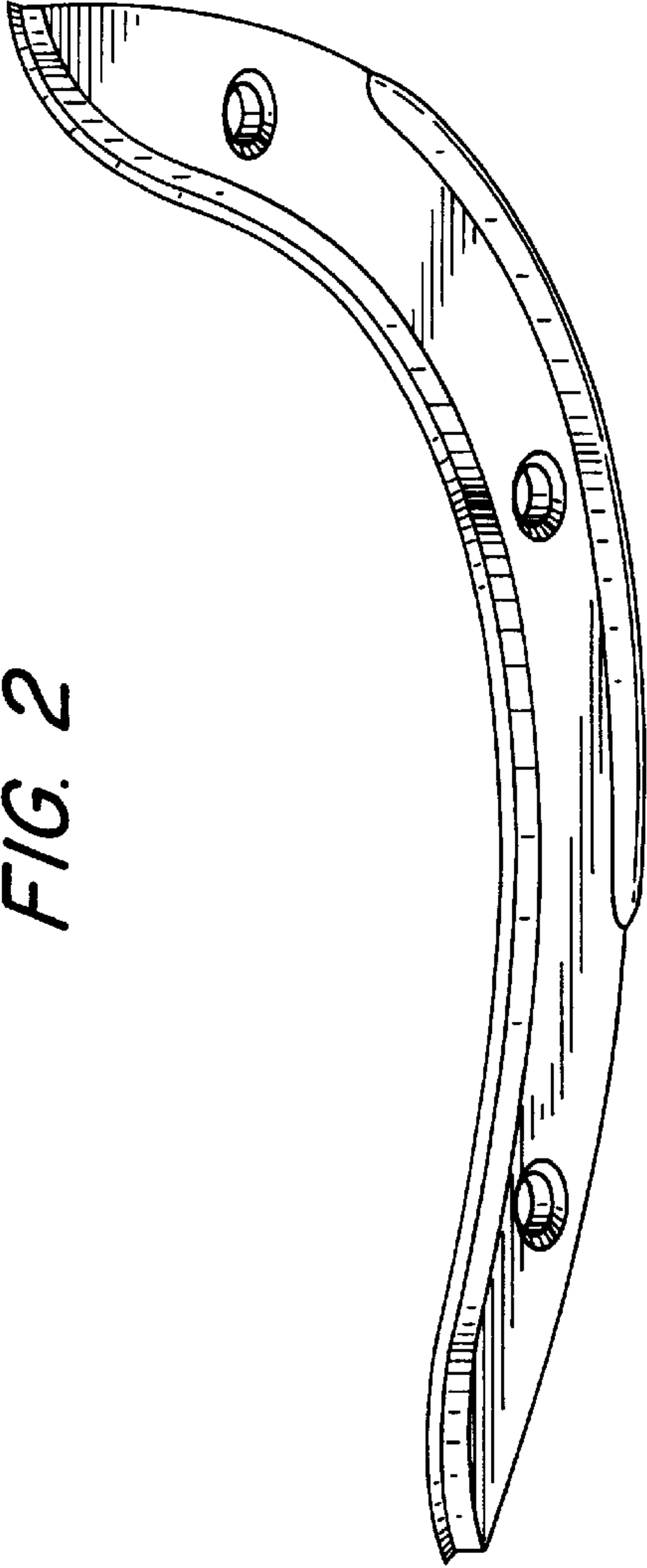


FIG. 3



FIG. 4

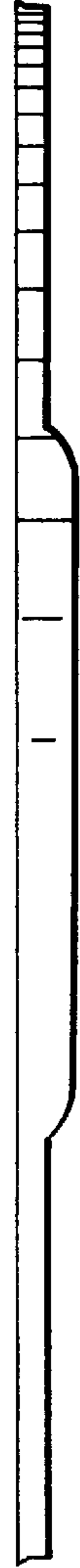


FIG. 5

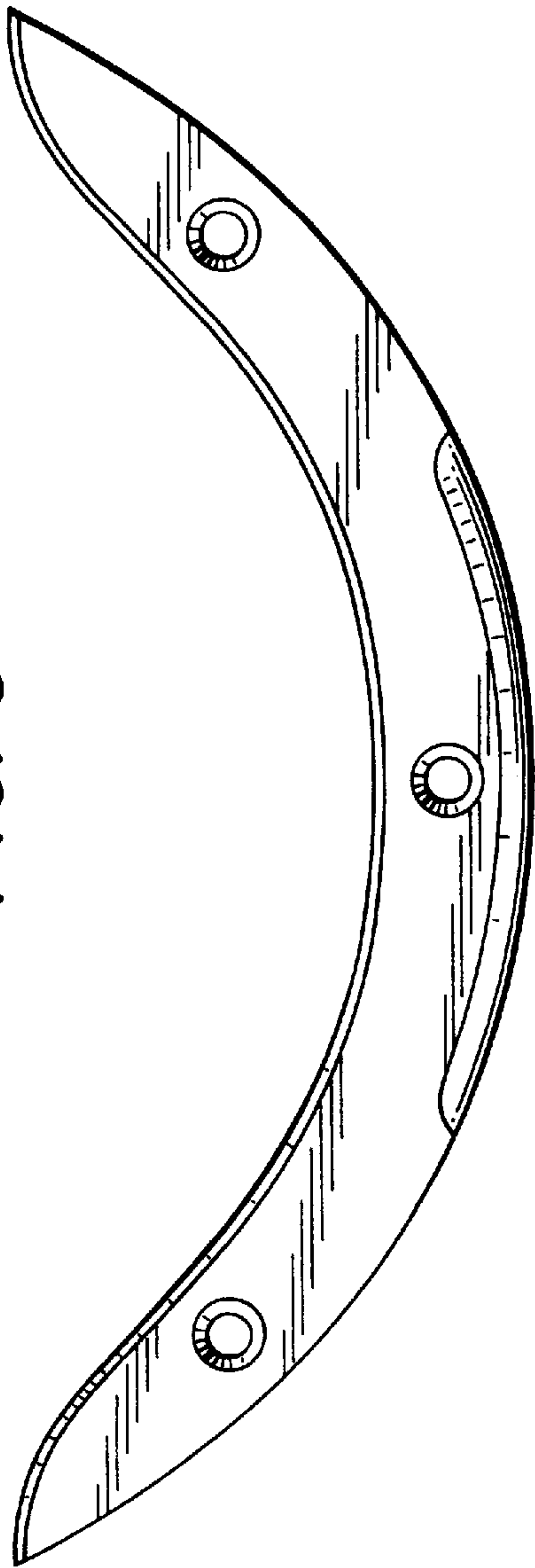


FIG. 7



FIG. 6

