



US00D437017S

(12) **United States Design Patent**
Ford

(10) **Patent No.:** **US D437,017 S**

(45) **Date of Patent:** **** Jan. 30, 2001**

(54) **GOLF PUTTER HEAD**

(76) Inventor: **Thomas R. Ford**, 143 Whims La.,
Rochester, MI (US) 48306

(**) Term: **14 Years**

(21) Appl. No.: **29/114,984**

(22) Filed: **Dec. 3, 1999**

(51) **LOC (7) Cl.** **21-02**

(52) **U.S. Cl.** **D21/744**

(58) **Field of Search** D21/736-746;
473/324, 327-331, 340, 341, 251-256

(56) **References Cited**

U.S. PATENT DOCUMENTS

D. 235,668	*	7/1975	Swash	D21/739
D. 364,907	*	12/1995	Estridge et al.	D21/739
D. 372,752	*	8/1996	Raudman	D21/739
4,934,702	*	6/1990	Serizawa	473/251
6,017,280	*	1/2000	Hubert	473/324

* cited by examiner

Primary Examiner—Mitchell Siegel

(74) *Attorney, Agent, or Firm*—John R Benefiel

(57) **CLAIM**

The ornamental design for golf putter head, as shown and described.

DESCRIPTION

FIG. 1 is a perspective view of a golf putter head according to the present invention.

FIG. 2 is an enlarged perspective view of the golf putter head shown in FIG. 1.

FIG. 3 is a top view of the golf putter head shown in FIGS. 1 and 2.

FIG. 4 is a bottom view of the golf putter head shown in FIGS. 1-3.

FIG. 5 is a front view of the golf putter head shown in FIGS. 1-4.

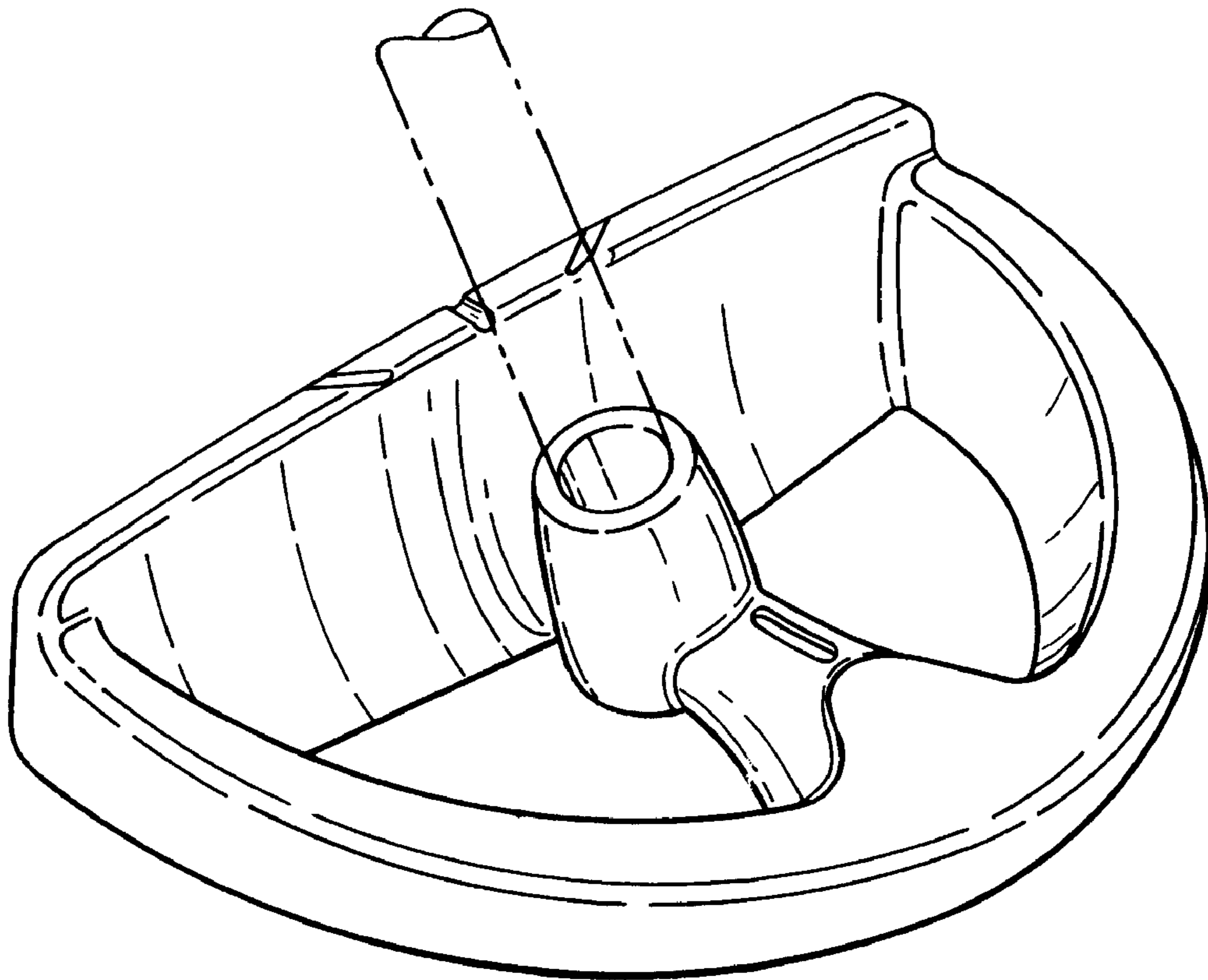
FIG. 6 is a right side elevational view of the golf putter head shown in FIGS. 1-5.

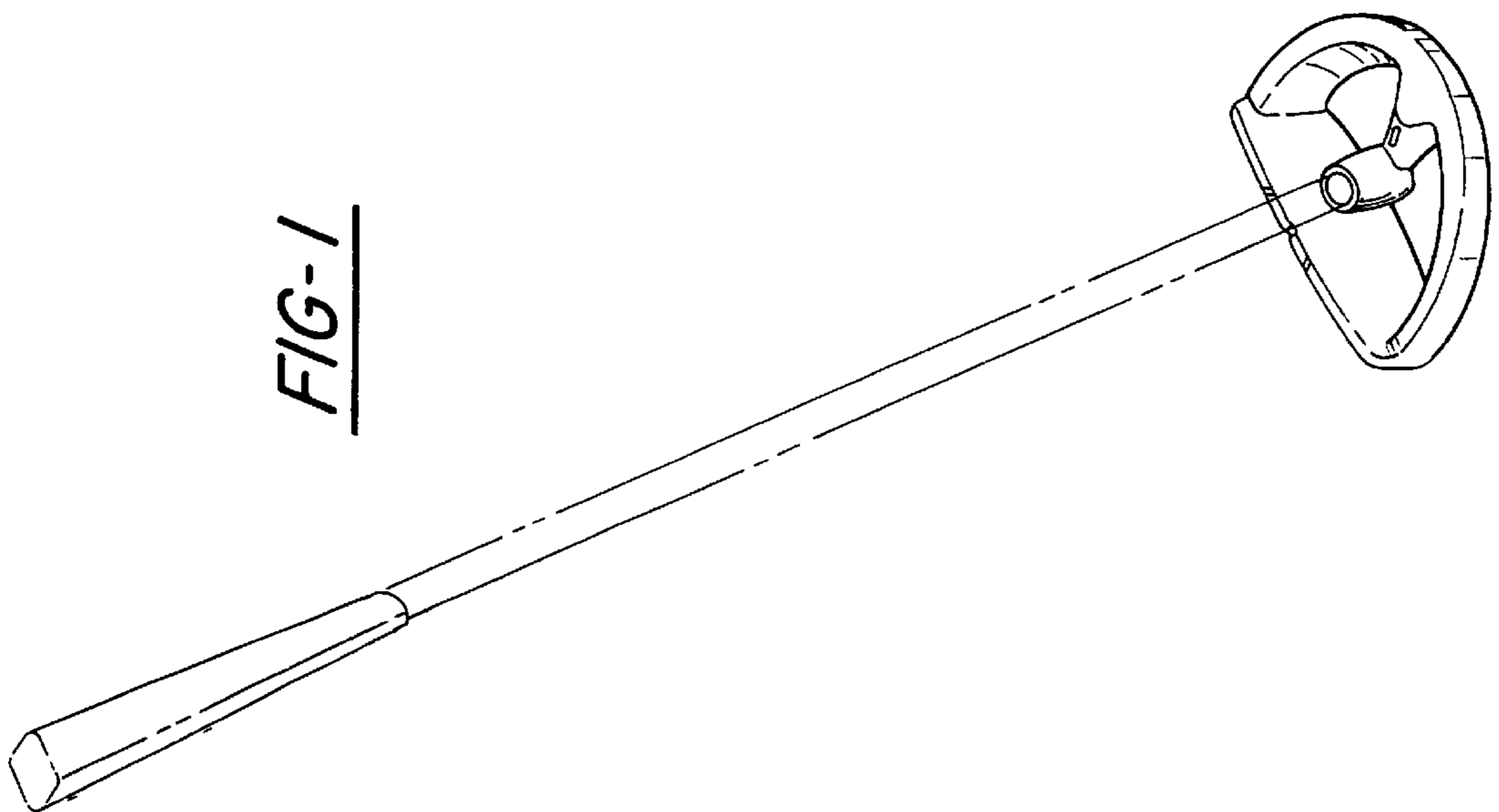
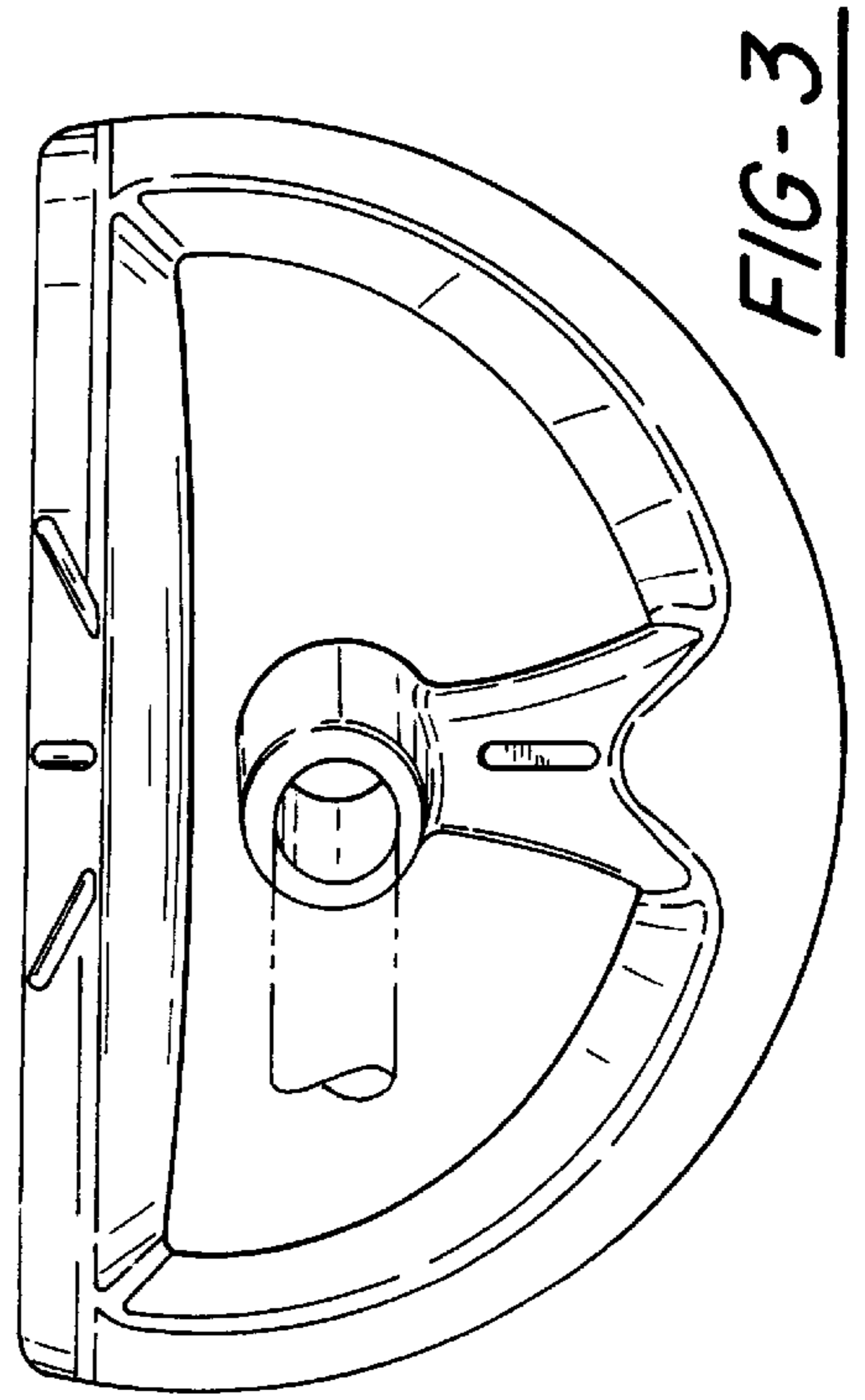
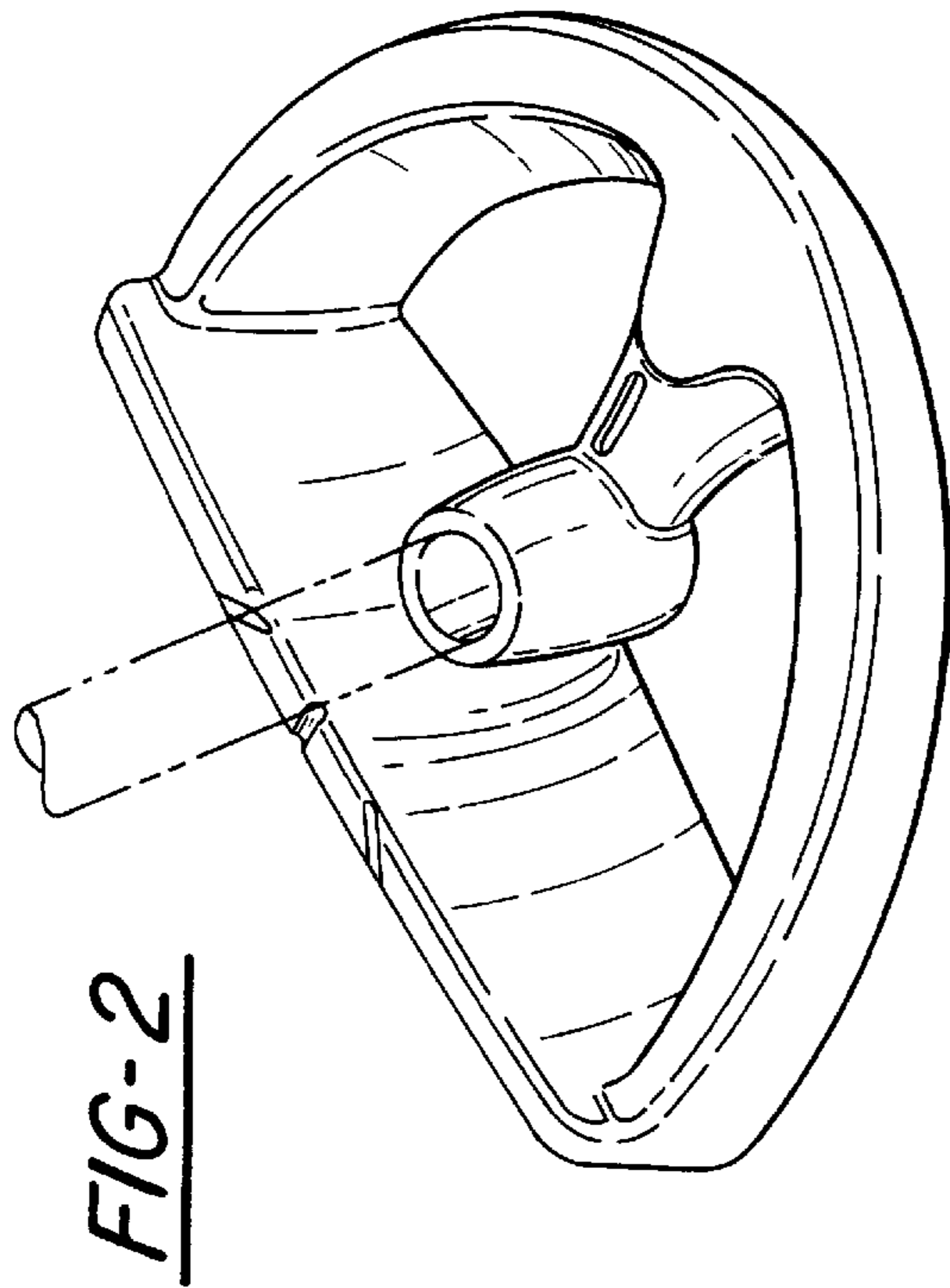
FIG. 7 is a left side elevational view of the golf putter head shown in FIGS. 1-6; and,

FIG. 8 is a rear end view of the golf putter head shown in FIGS. 1-7.

The broken line showing of the shaft and handle is for illustrative purposes only and forms no part of the claimed design.

1 Claim, 2 Drawing Sheets





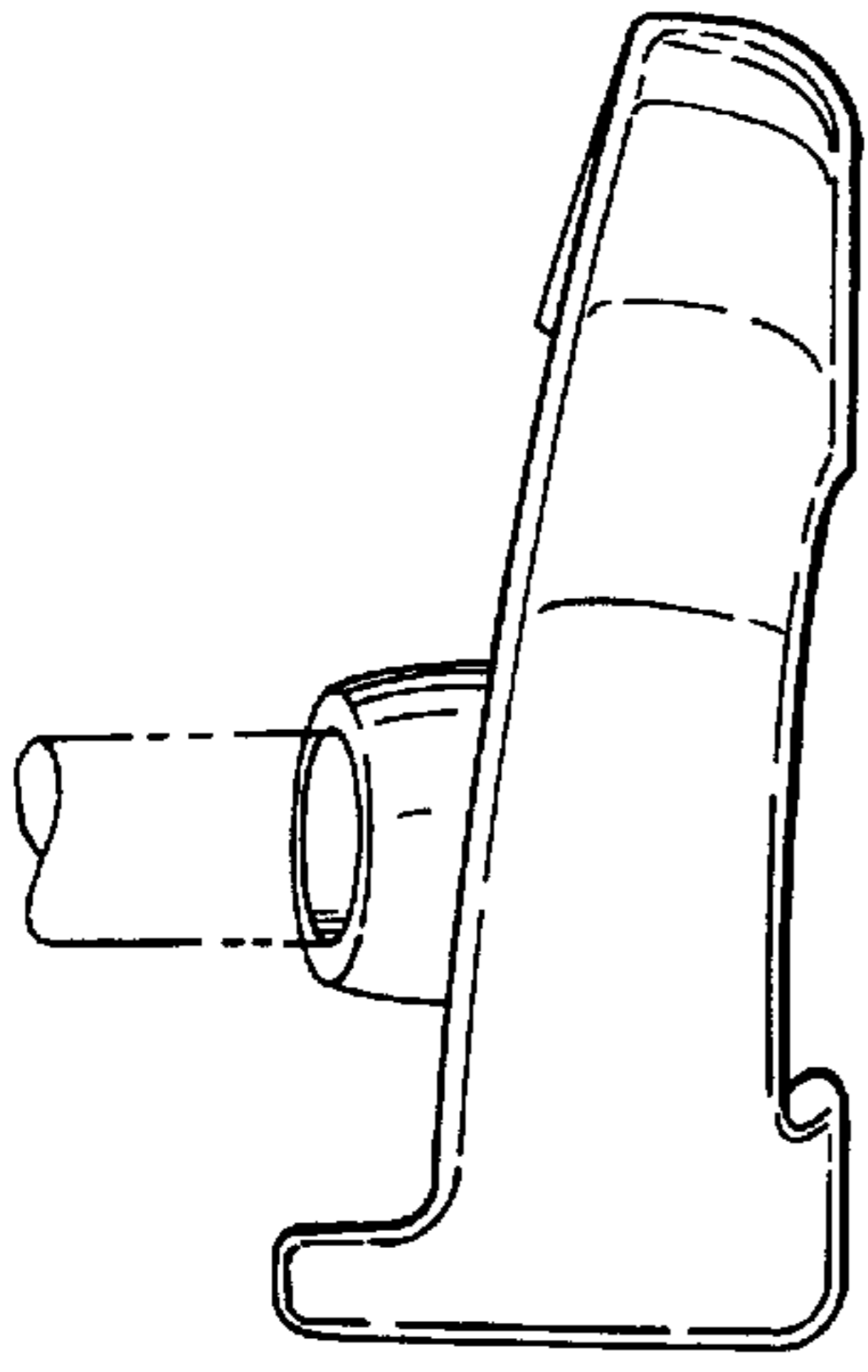


FIG-6

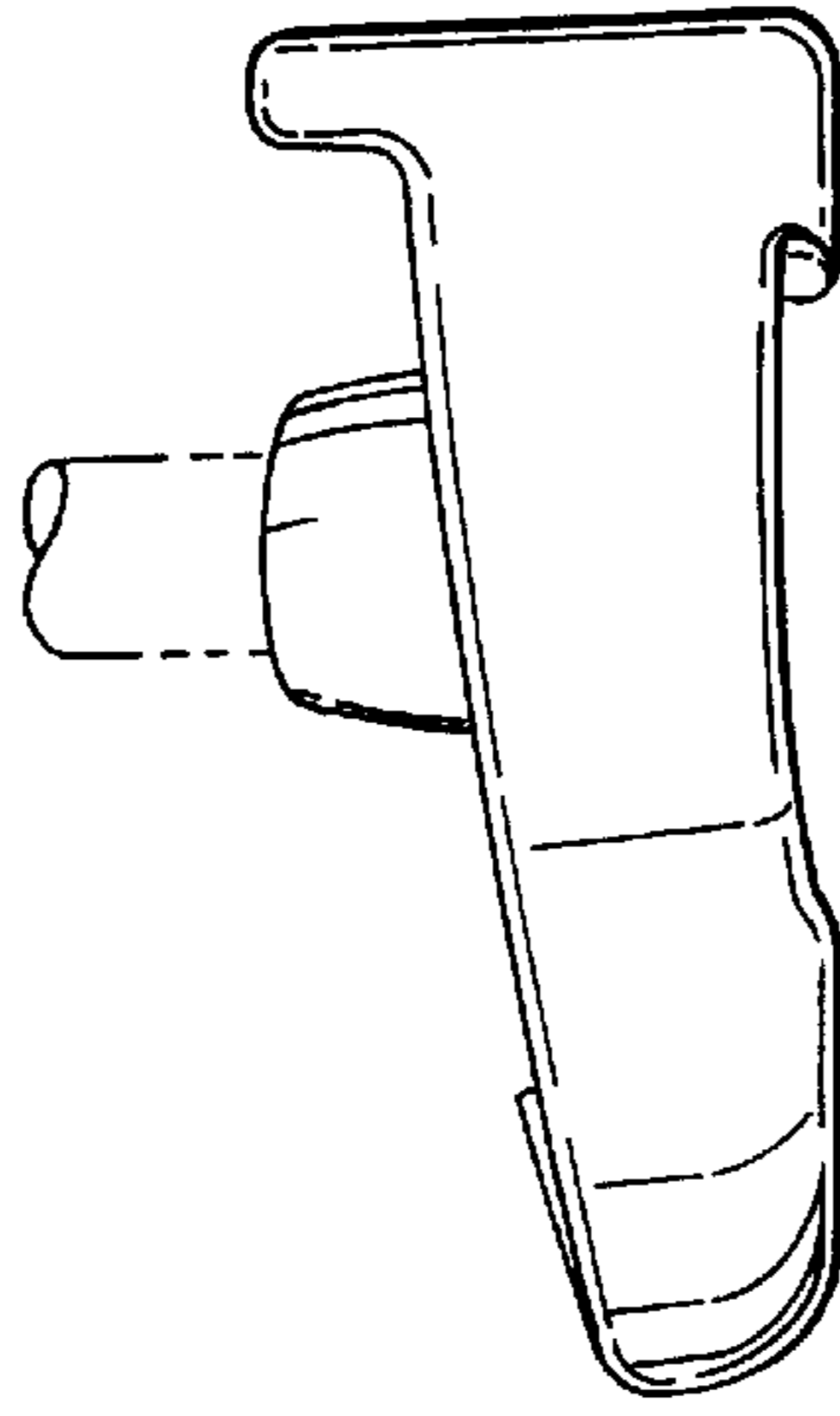


FIG-7

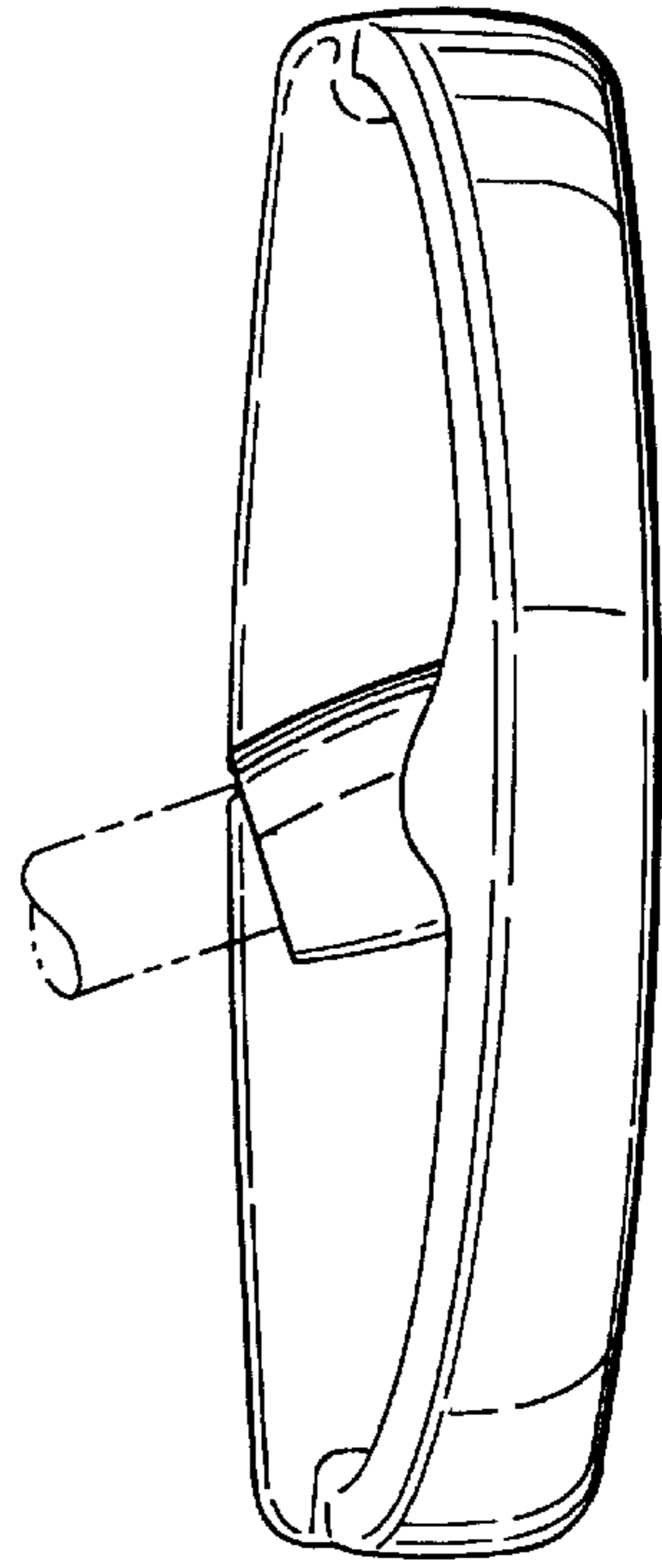


FIG-8

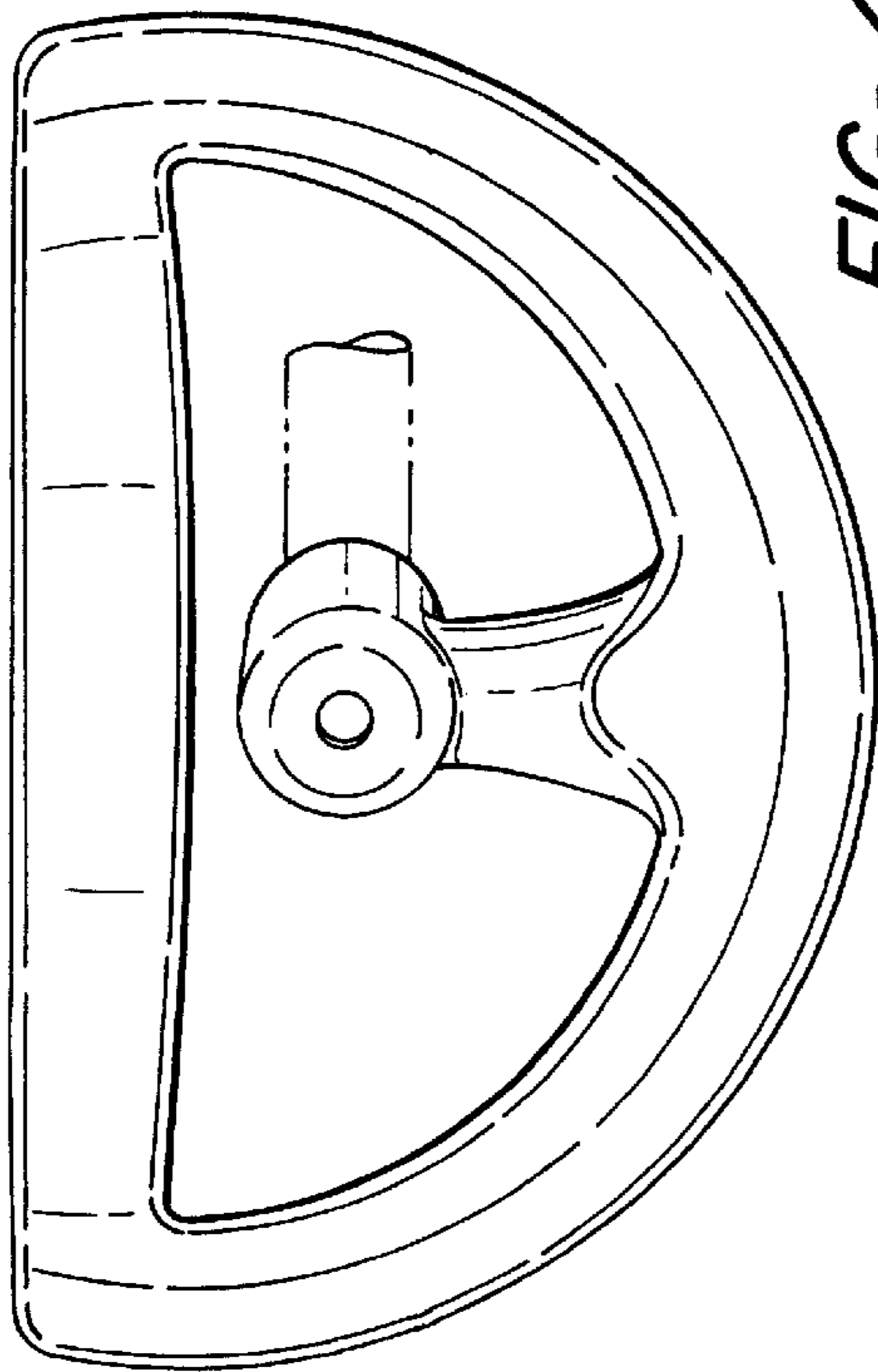


FIG-4

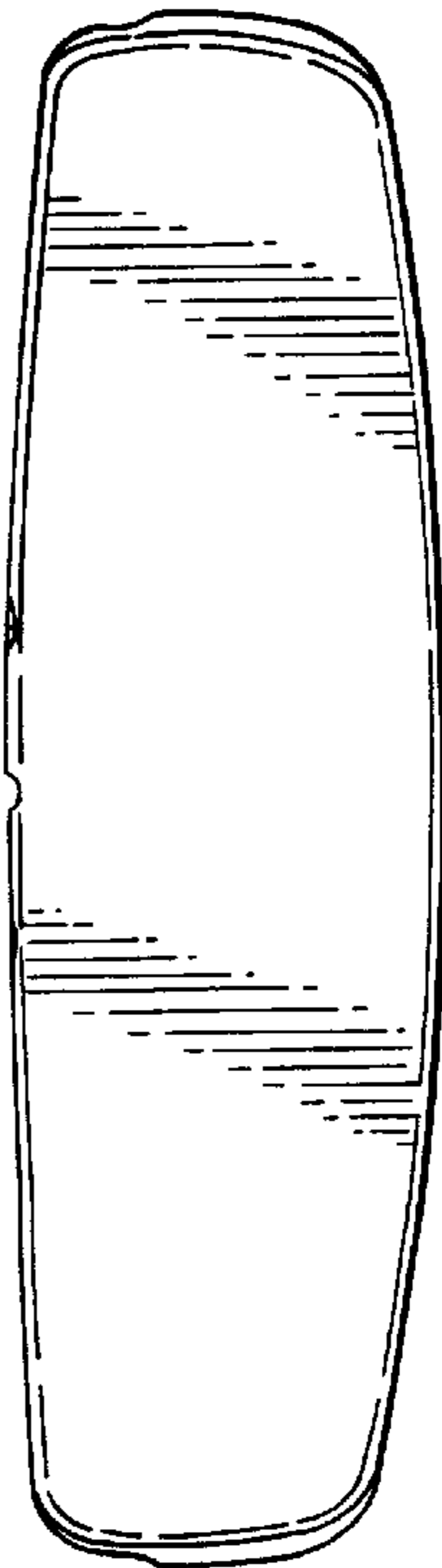


FIG-5