



US00D437015S

(12) **United States Design Patent**  
**Rojas et al.**

(10) **Patent No.:** **US D437,015 S**

(45) **Date of Patent:** **\*\* Jan. 30, 2001**

(54) **WEIGHTLIFTING BAR COLLAR**

(75) Inventors: **Michael D. Rojas**, Tustin; **Scott J. Frasco**, Huntington Beach, both of CA (US)

(73) Assignee: **Iron Grip Barbell Company, Inc.**, Costa Mesa, CA (US)

(\*\*) Term: **14 Years**

(21) Appl. No.: **29/107,835**

(22) Filed: **Jul. 14, 1999**

(51) **LOC (7) Cl.** ..... **21-02**

(52) **U.S. Cl.** ..... **D21/681; D21/679; D21/694**

(58) **Field of Search** ..... D21/662, 679, D21/680, 681; 482/104, 105, 106, 107, 108

(56) **References Cited**

**U.S. PATENT DOCUMENTS**

D. 280,433	9/1985	Lincir .	
4,639,979	*	2/1987 Polson .....	482/107
4,738,446	*	4/1988 Miles .....	482/107
4,893,810	*	1/1990 Lee .....	482/107
5,062,631	*	11/1991 Dau et al. ....	482/107
5,078,392	*	1/1992 Kracht .....	482/107
5,163,887	*	11/1992 Hatch .....	482/107

**OTHER PUBLICATIONS**

Flex Magazine, p. 104, weight bar, Mar. 1996.\*  
Service Merchandise Catalog, p. 532, items 6 through 9, weight bars, 1997.\*

\* cited by examiner

*Primary Examiner*—Philip S. Hyder

(74) *Attorney, Agent, or Firm*—Darby & Darby

(57) **CLAIM**

The ornamental design for a weightlifting bar collar, as shown and described.

**DESCRIPTION**

FIG. 1 is a perspective view of a weightlifting bar collar showing our new design;

FIG. 2 is a right side view of the weightlifting bar collar shown in FIG. 1;

FIG. 3 is a left side view of the weightlifting bar collar shown in FIG. 1;

FIG. 4 is a front view of the weightlifting bar collar shown in FIG. 1, the rear view being a mirror image thereof; and, FIG. 5 is a top view of the weightlifting bar collar, the bottom view being a mirror image thereof.

The broken line portions of the drawings are for illustrative purposes only and form no part of the claimed design.

**1 Claim, 2 Drawing Sheets**

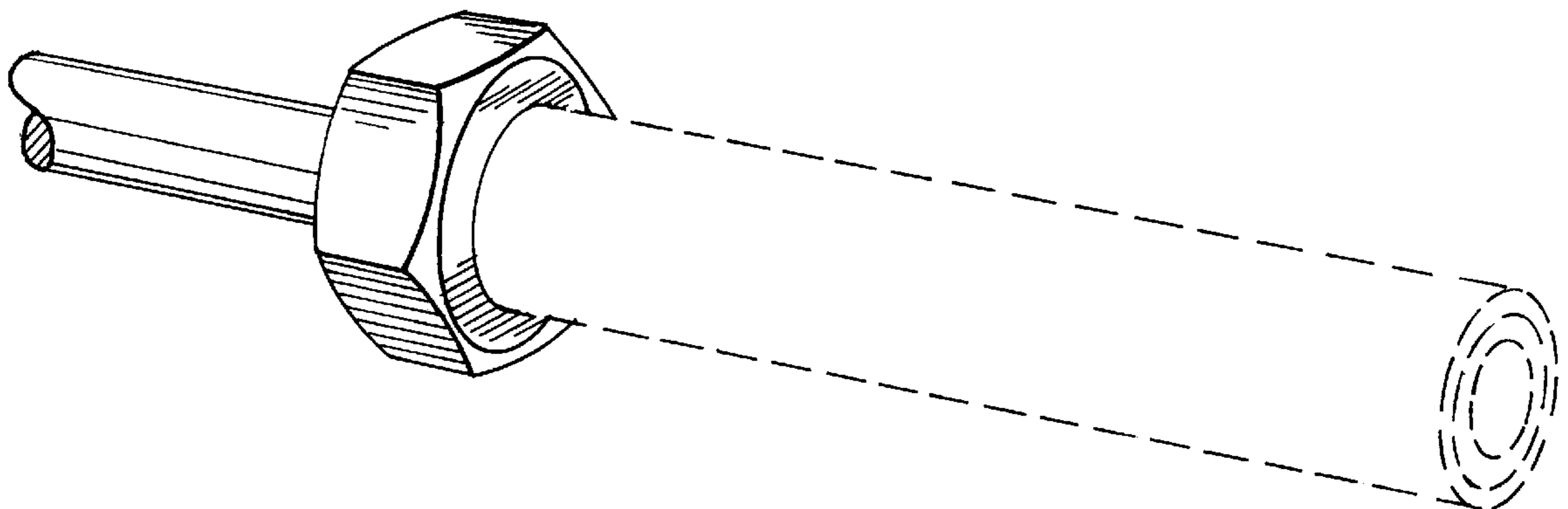


FIG. 1

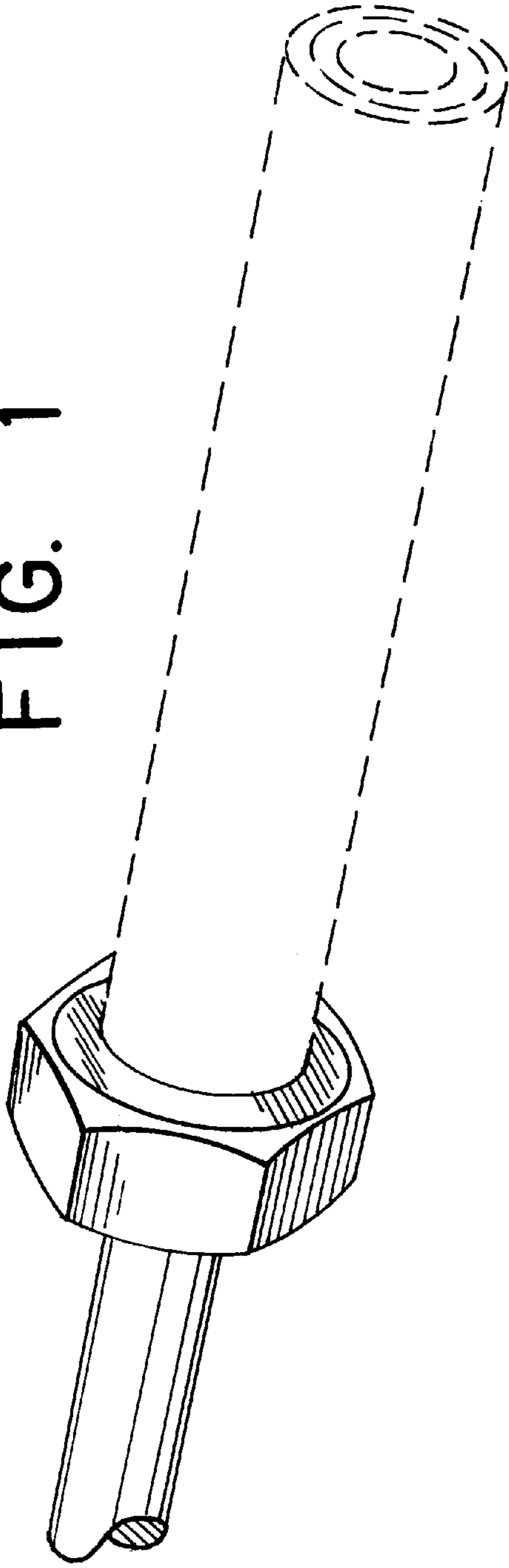


FIG. 2

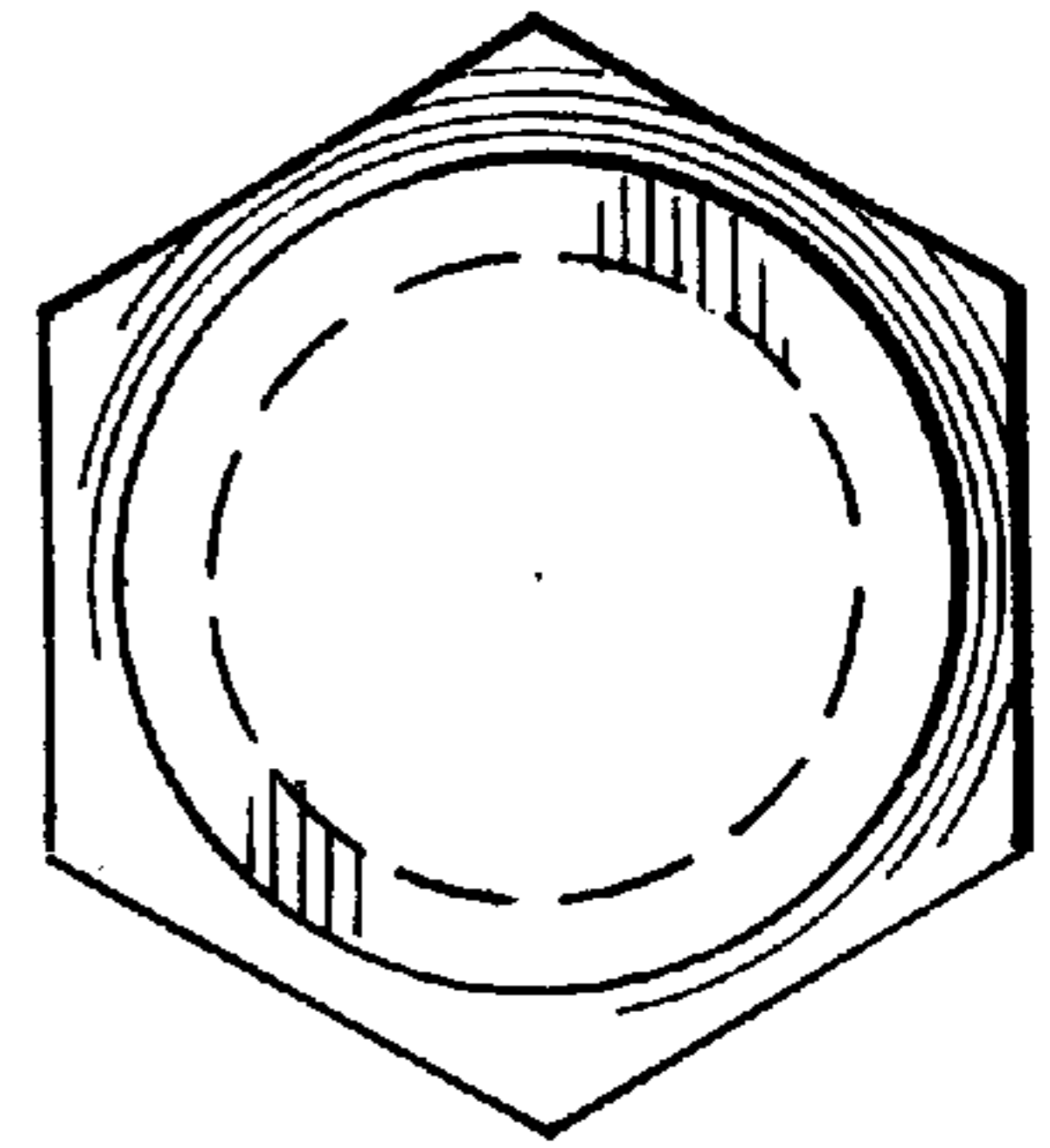


FIG. 3

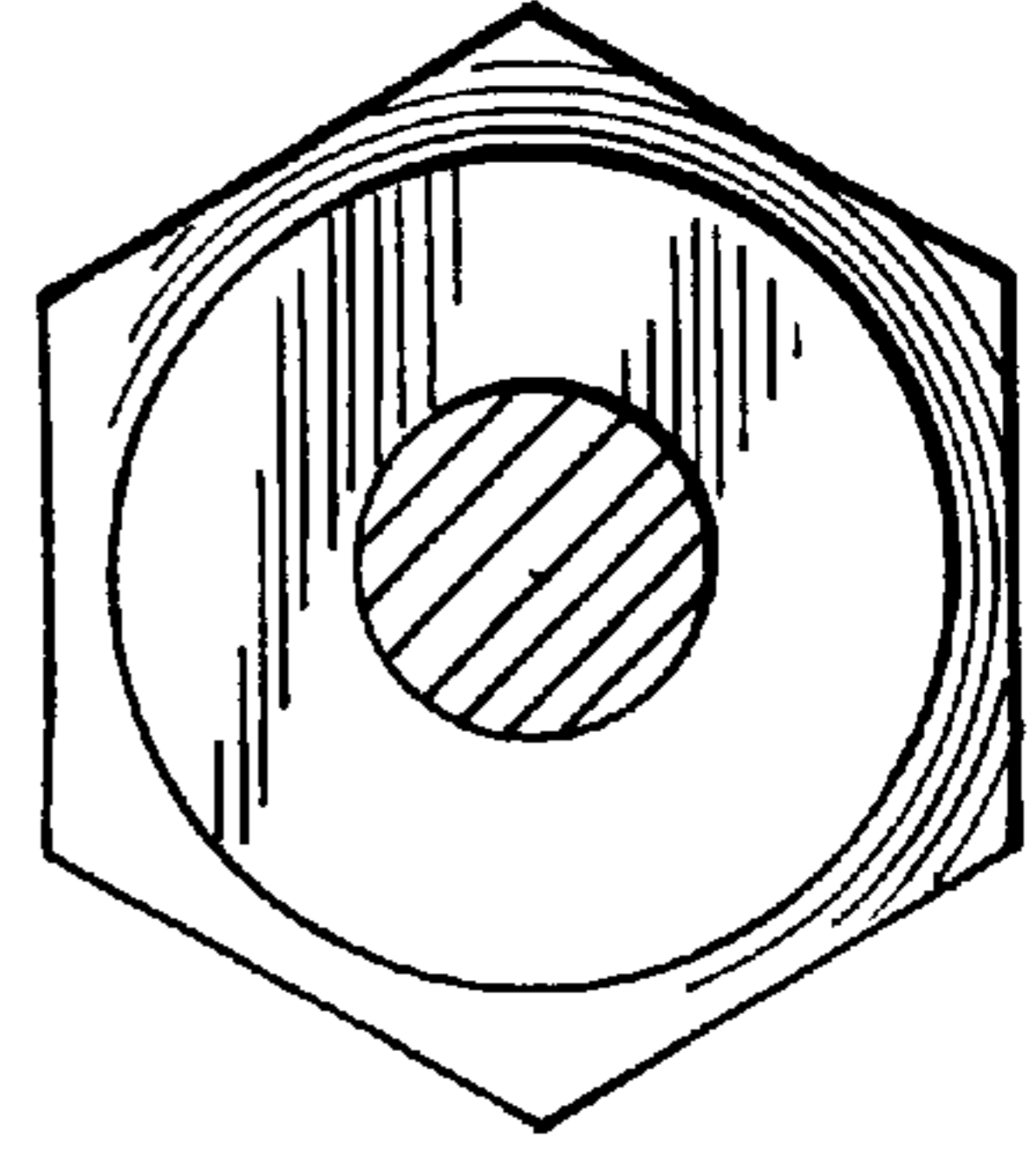


FIG. 4

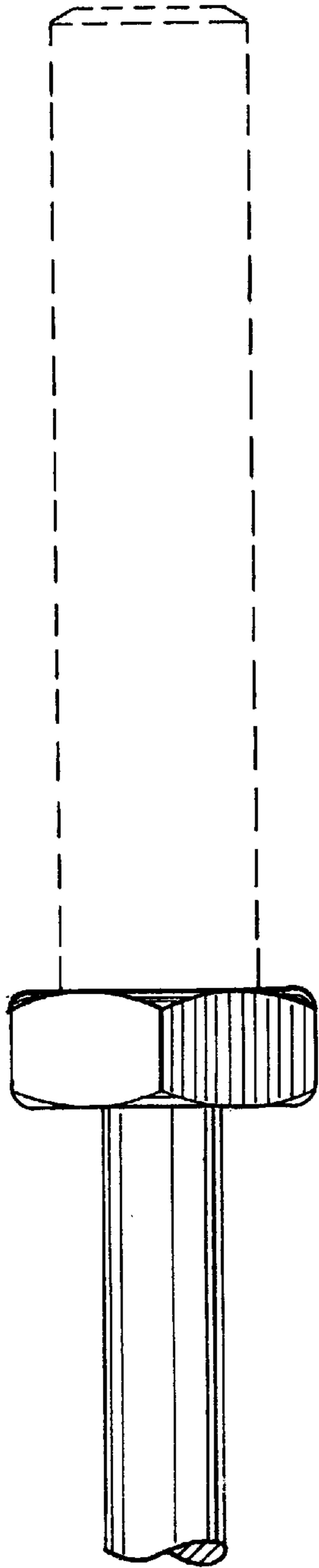


FIG. 5

