



US00D437014S

(12) **United States Design Patent**  
**Blanchard et al.**

(10) **Patent No.:** **US D437,014 S**

(45) **Date of Patent:** **\*\* Jan. 30, 2001**

(54) **CONTINUOUS PASSIVE MOTION DEVICE**

(75) Inventors: **Frederick W. Blanchard**, Hixson;  
**James R. Vetter, Jr.**, Soddy Daisy, both  
of TN (US)

(73) Assignee: **Chattanooga Group, Inc.**, Hixson, TN  
(US)

(\*\*) Term: **14 Years**

(21) Appl. No.: **29/106,620**

(22) Filed: **Jun. 21, 1999**

(51) **LOC (7) Cl.** ..... **21-02**

(52) **U.S. Cl.** ..... **D21/673; D21/685**

(58) **Field of Search** ..... D21/662, 663,  
D21/673; 482/79, 112, 80; 601/34; D24/192

(56) **References Cited**

**U.S. PATENT DOCUMENTS**

4,727,860	*	3/1988	McIntyre	.....	482/112
5,228,432	*	7/1993	Kaiser et al.	.....	601/34
5,280,783	*	1/1994	Focht et al.	.....	601/34
5,333,604	*	8/1994	Green et al.	.....	601/34
5,399,147	*	3/1995	Kaiser	.....	601/34
5,529,573	*	6/1996	Kelly et al.	.....	601/34

\* cited by examiner

*Primary Examiner*—Philip S. Hyder

(74) *Attorney, Agent, or Firm*—Chambliss, Bahner & Stophel

(57) **CLAIM**

The ornamental design for a continuous passive motion device, as shown and described.

**DESCRIPTION**

FIG. 1 is a top perspective view of a continuous passive motion device of our new design.

FIG. 2 is a top plan view of a continuous passive motion device of our new design.

FIG. 3 is a bottom plan view of a continuous passive motion device of our new design.

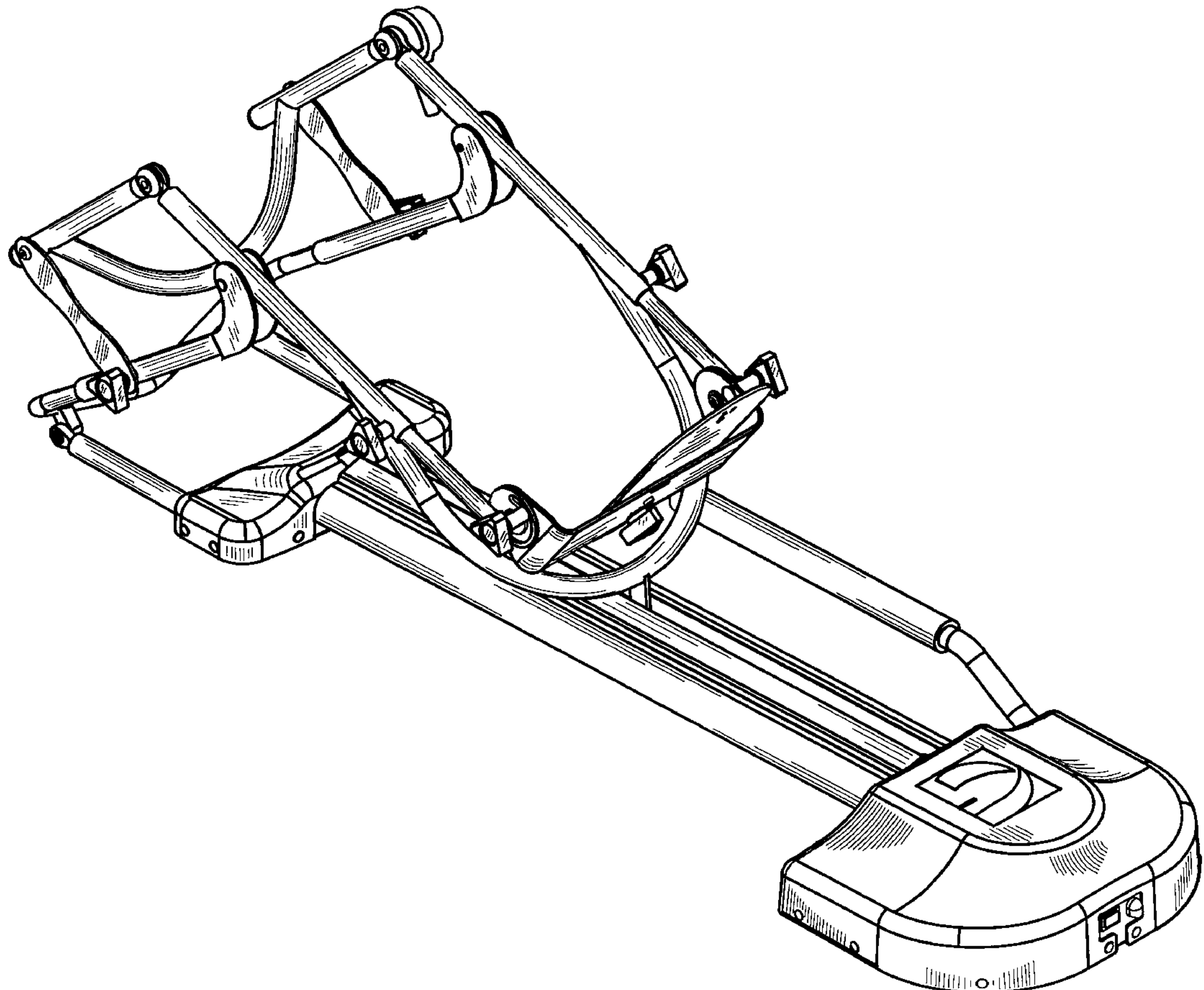
FIG. 4 is a front elevational view of a continuous passive motion device of our new design.

FIG. 5 is a rear elevational view of a continuous passive motion device of our new design.

FIG. 6 is a left side elevational view of a continuous passive motion device of our new design; and,

FIG. 7 is a right side elevational view of a continuous passive motion device of our new design.

**1 Claim, 7 Drawing Sheets**



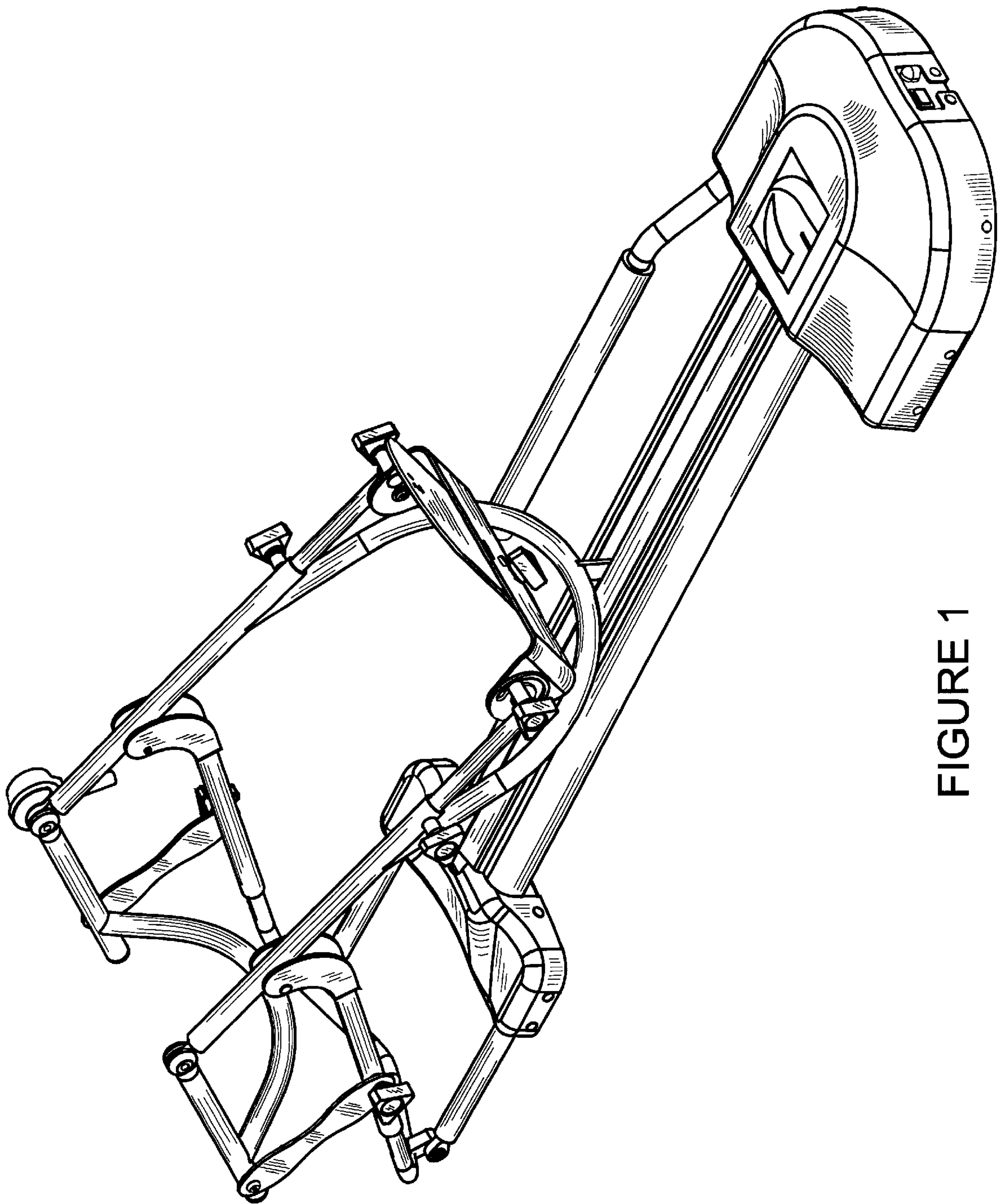


FIGURE 1

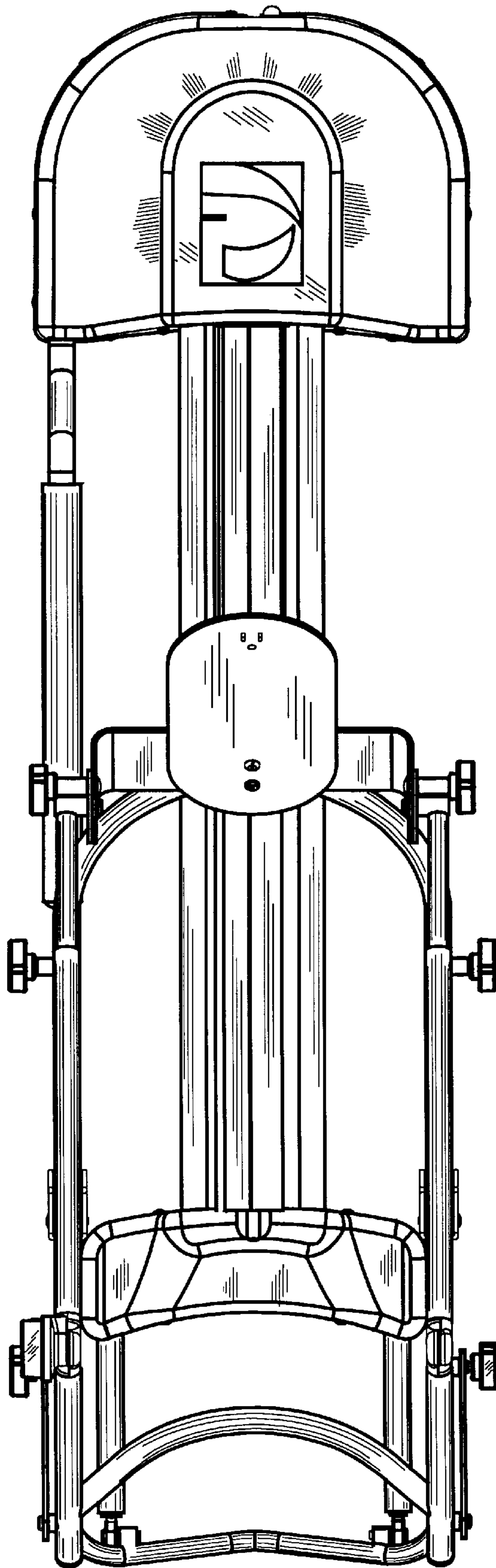


FIGURE 2



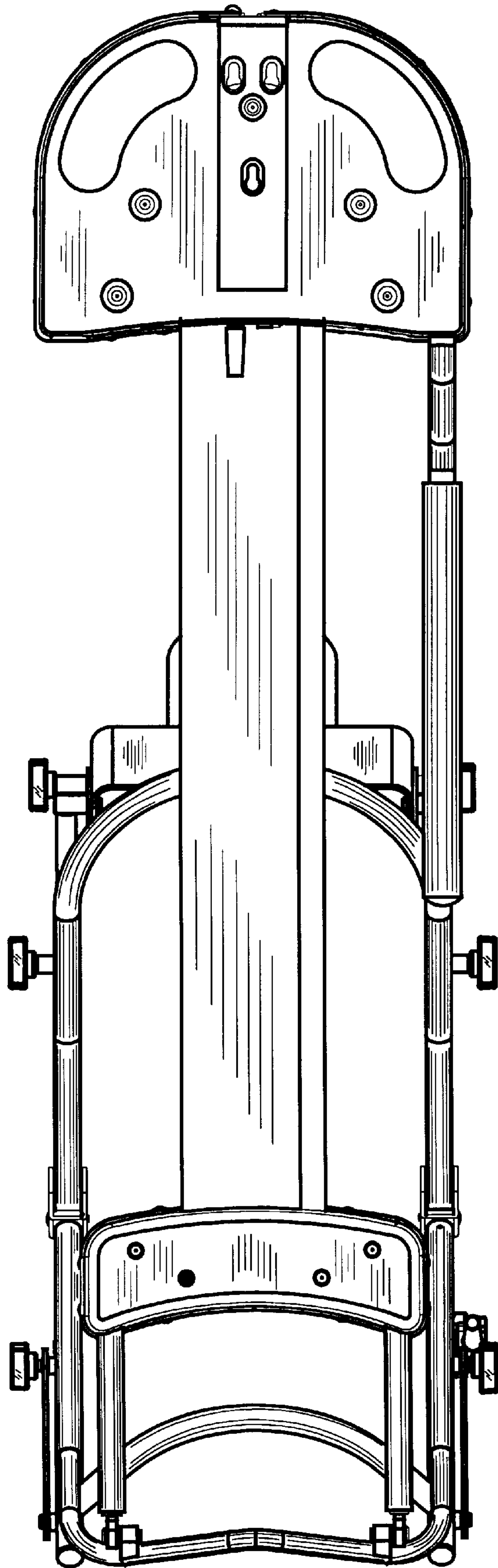


FIGURE 3

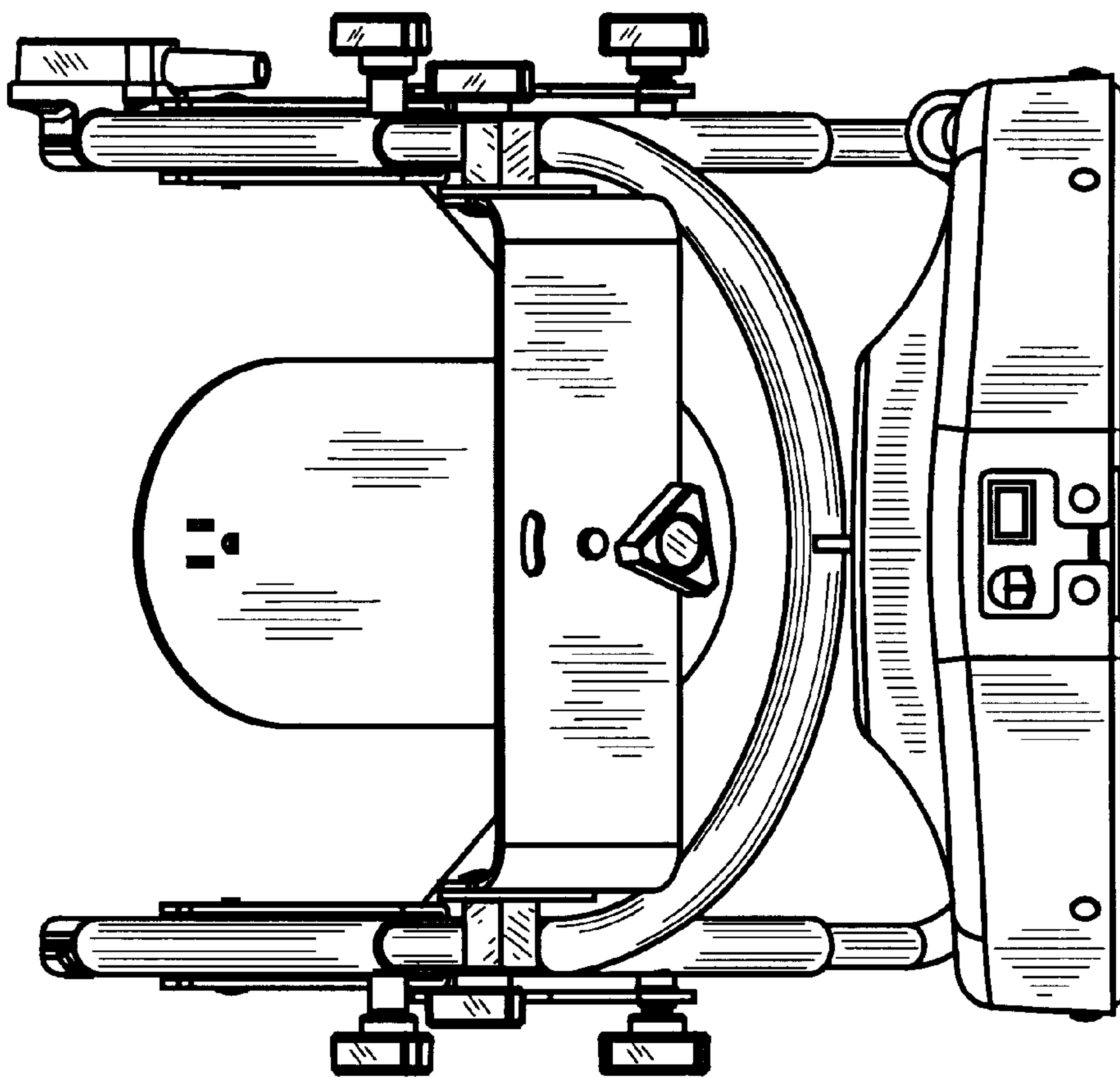


FIGURE 4

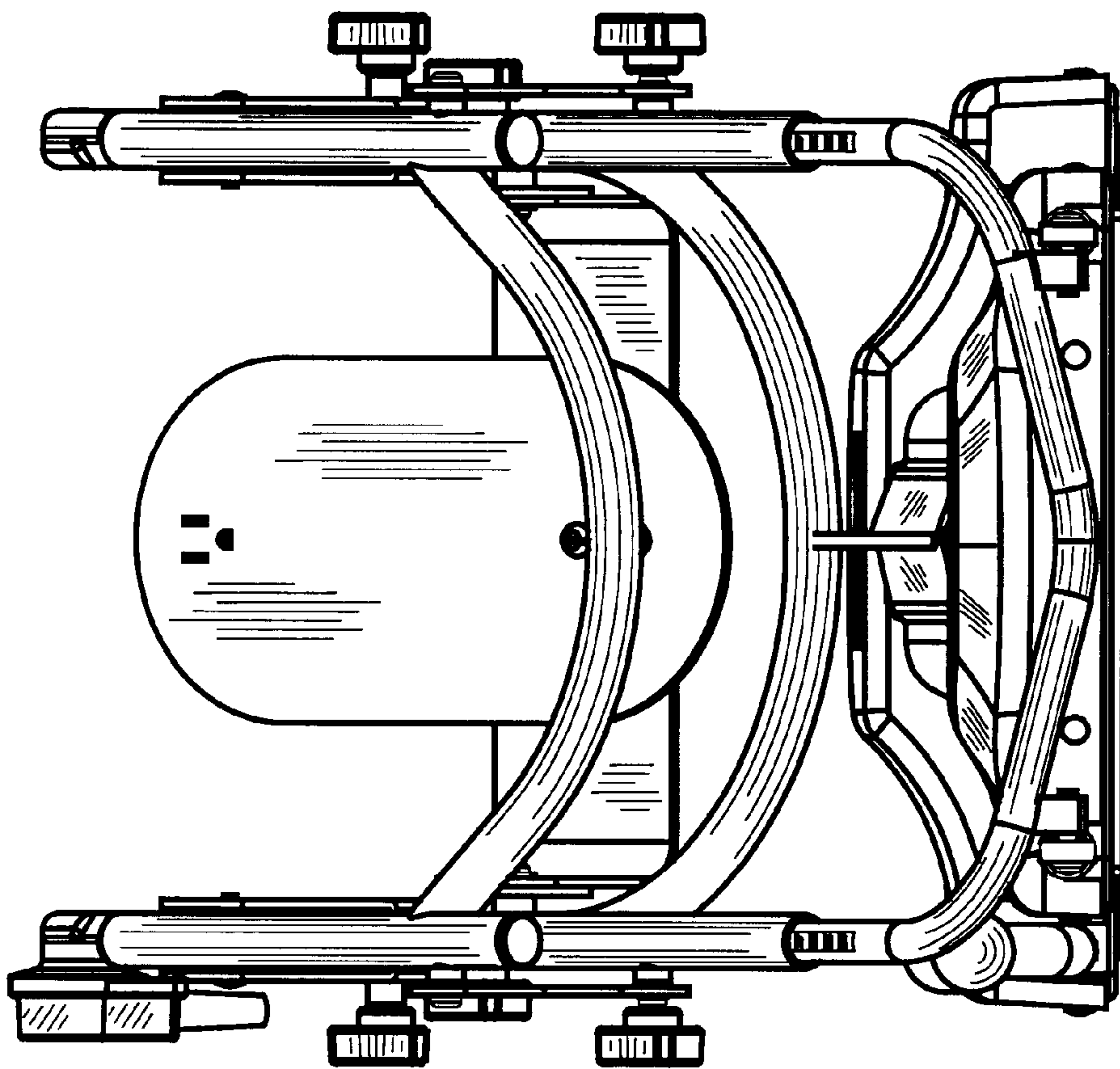


FIGURE 5

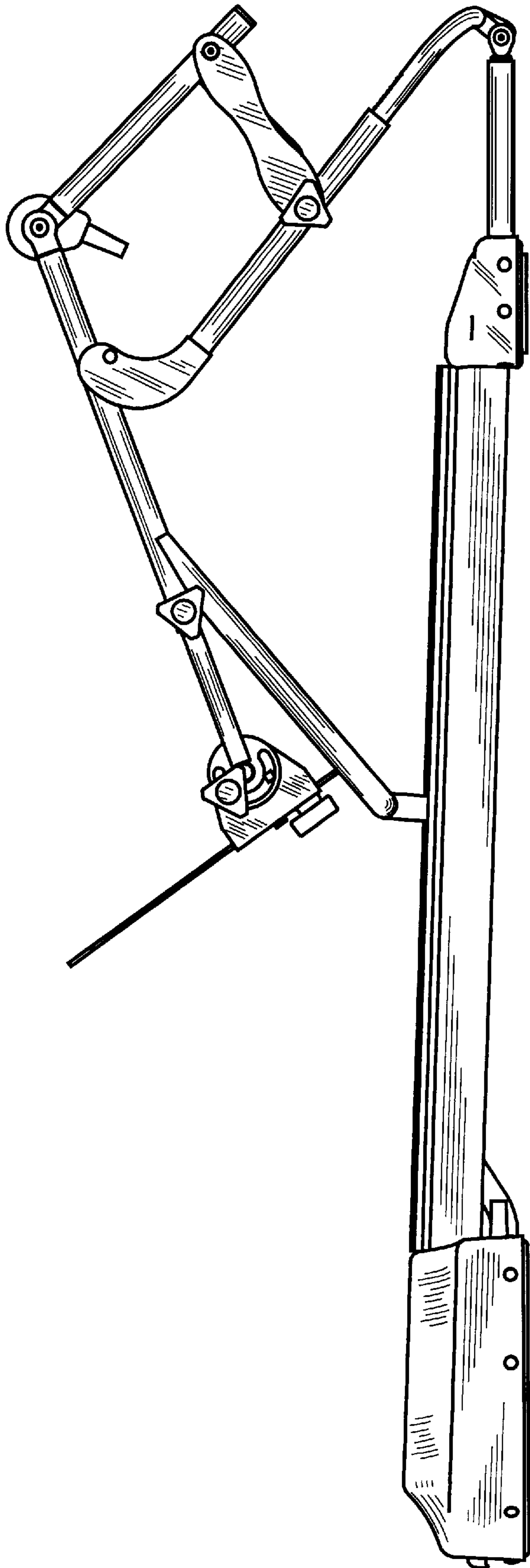


FIGURE 6

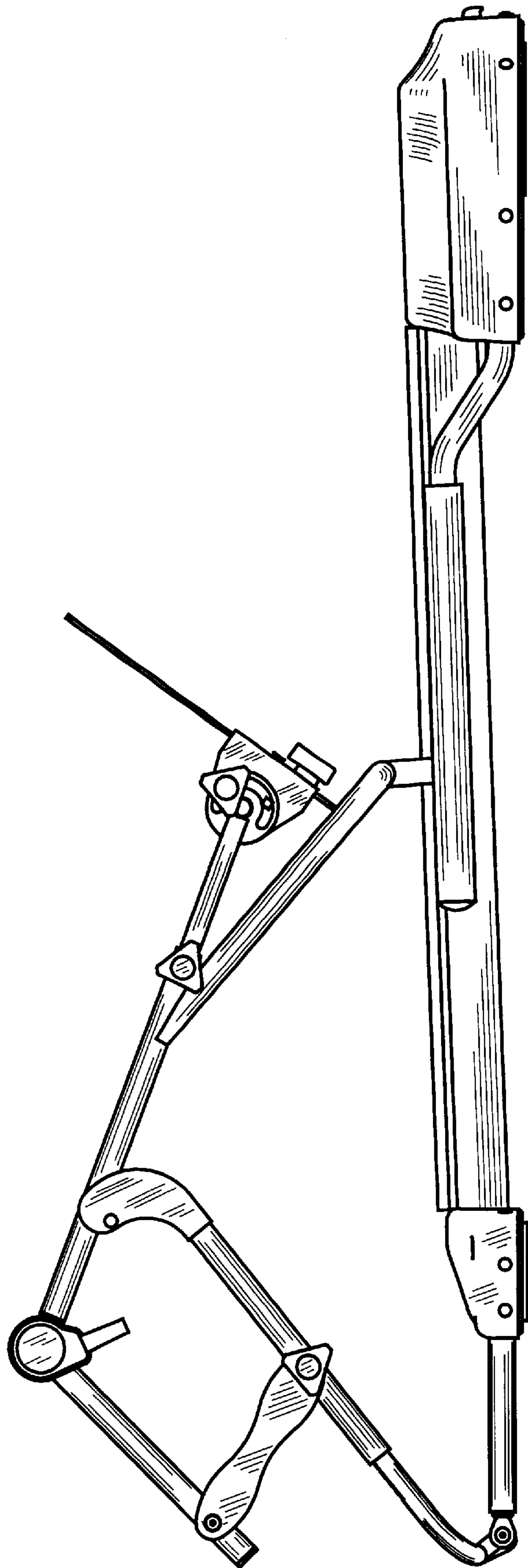


FIGURE 7