



US00D437012S

(12) **United States Design Patent**  
**Crawford**

(10) **Patent No.:** **US D437,012 S**

(45) **Date of Patent:** **\*\* Jan. 30, 2001**

(54) **COMBINED TOY FIGURES, ACCESSORIES AND CONTAINER THEREFOR**

D. 294,842 \* 3/1988 Hanson et al. .... D21/620  
4,165,579 \* 8/1979 Chase ..... 446/73  
5,277,645 \* 1/1994 Kelley et al. .... 446/268

(76) **Inventor:** **Joni Crawford**, P.O. Box 399, Strawn, TX (US) 76475

\* cited by examiner

(\*\*) **Term:** **14 Years**

*Primary Examiner*—Lucy Lieberman

(21) **Appl. No.:** **29/103,805**

(57) **CLAIM**

(22) **Filed:** **Apr. 22, 1999**

The ornamental design for a combined toy figures, accessories and container therefor, as shown.

(51) **LOC (7) Cl.** ..... **21-01**

**DESCRIPTION**

(52) **U.S. Cl.** ..... **D21/595; D21/591; D21/620; D21/626**

FIG. 1 is a front elevational view of a combined toy figures, accessories and container therefor of the present invention; FIG. 2 is a back elevational view of the combined toy figures, accessories and container therefor of FIG. 1; FIG. 3 is a left side elevational view of the combined toy figures, accessories and container therefor of FIG. 1; FIG. 4 is a right side elevational view of the combined toy figures, accessories and container therefor of FIG. 1; FIG. 5 is a top plan view of the combined toy figures, accessories and container therefor of FIG. 1; and, FIG. 6 is a bottom plan view of the combined toy figures, accessories and container therefor of FIG. 1.

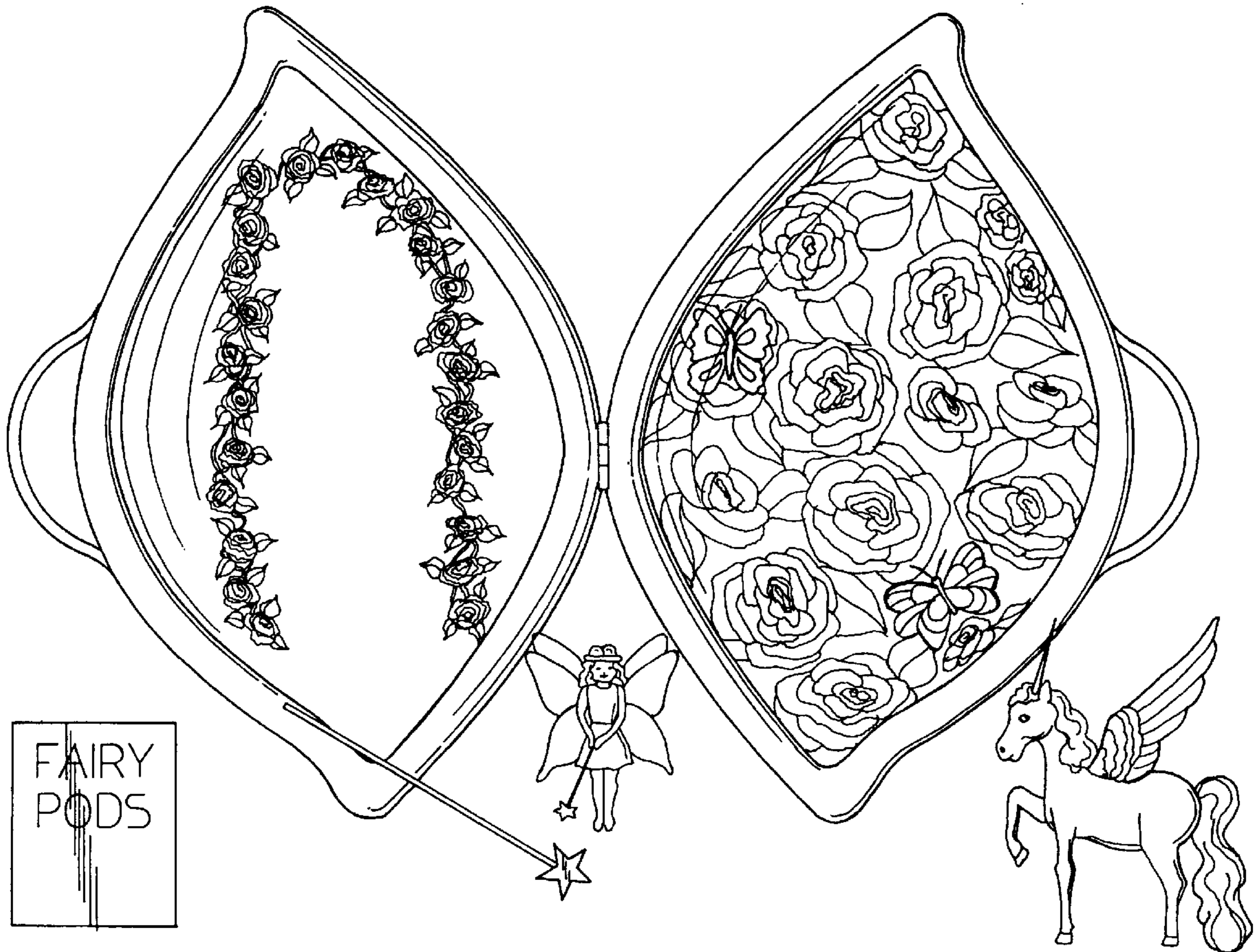
(58) **Field of Search** ..... D21/626, 620, D21/648, 633, 658, 590, 591, 594, 595; D3/237, 238, 241, 240; D11/128; 446/268, 73, 75, 76

(56) **References Cited**

**U.S. PATENT DOCUMENTS**

D. 119,198 \* 2/1940 Schenker ..... D3/237  
D. 138,799 \* 9/1944 Cartee ..... D21/626  
D. 163,510 \* 6/1951 Beasley ..... D21/626  
D. 284,595 \* 7/1986 Herndon ..... D21/620

**1 Claim, 6 Drawing Sheets**



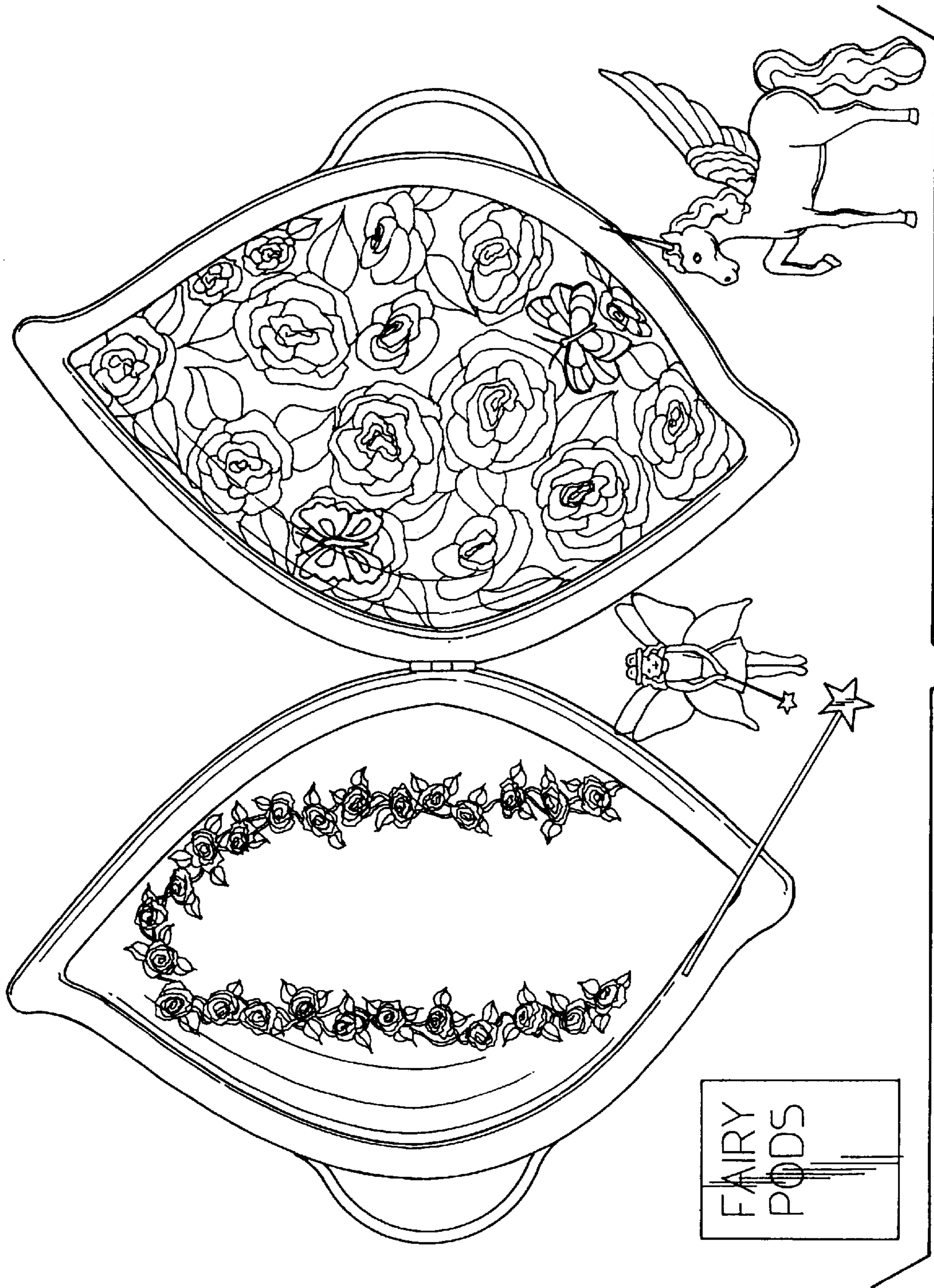


FIG. 1

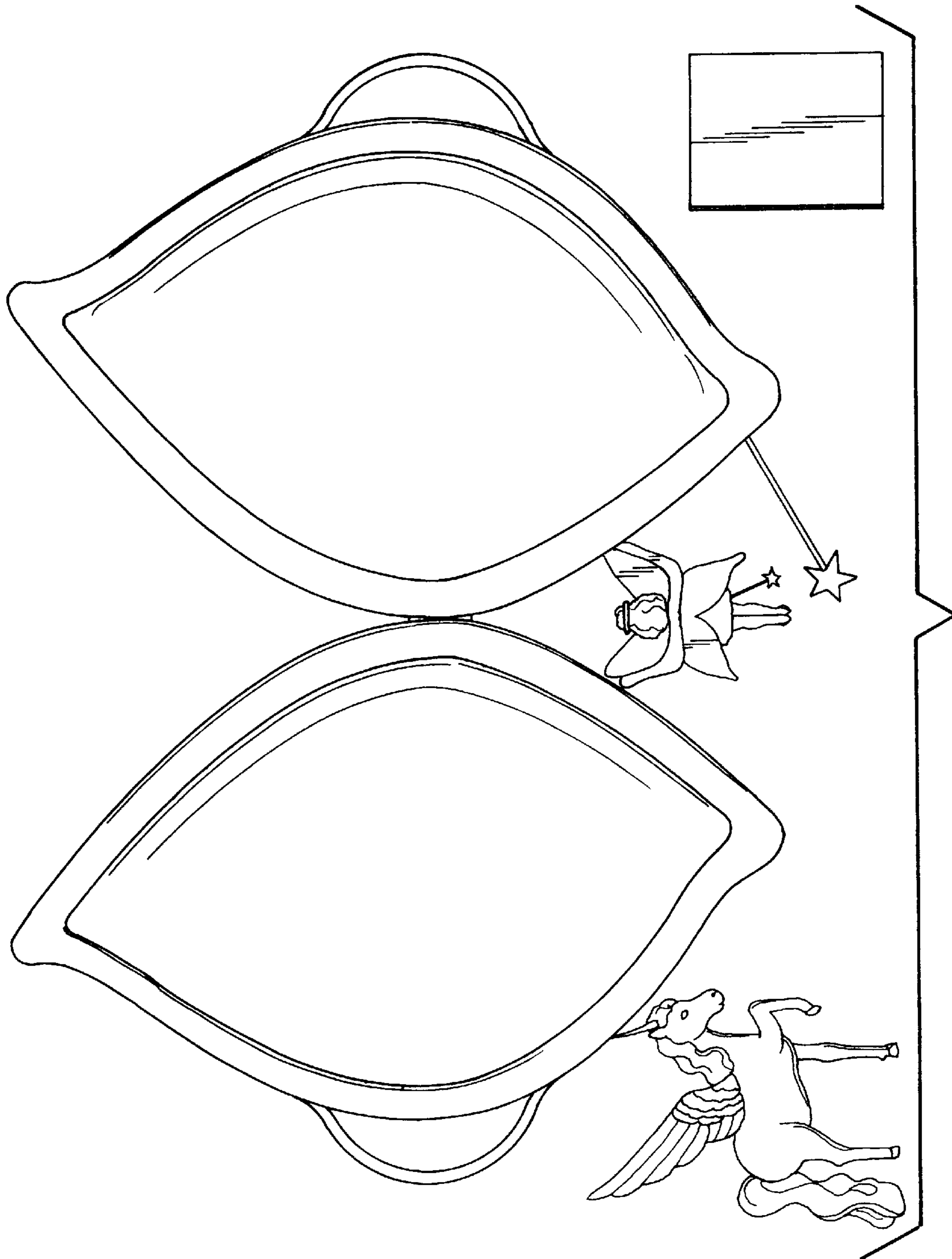


FIG. 2

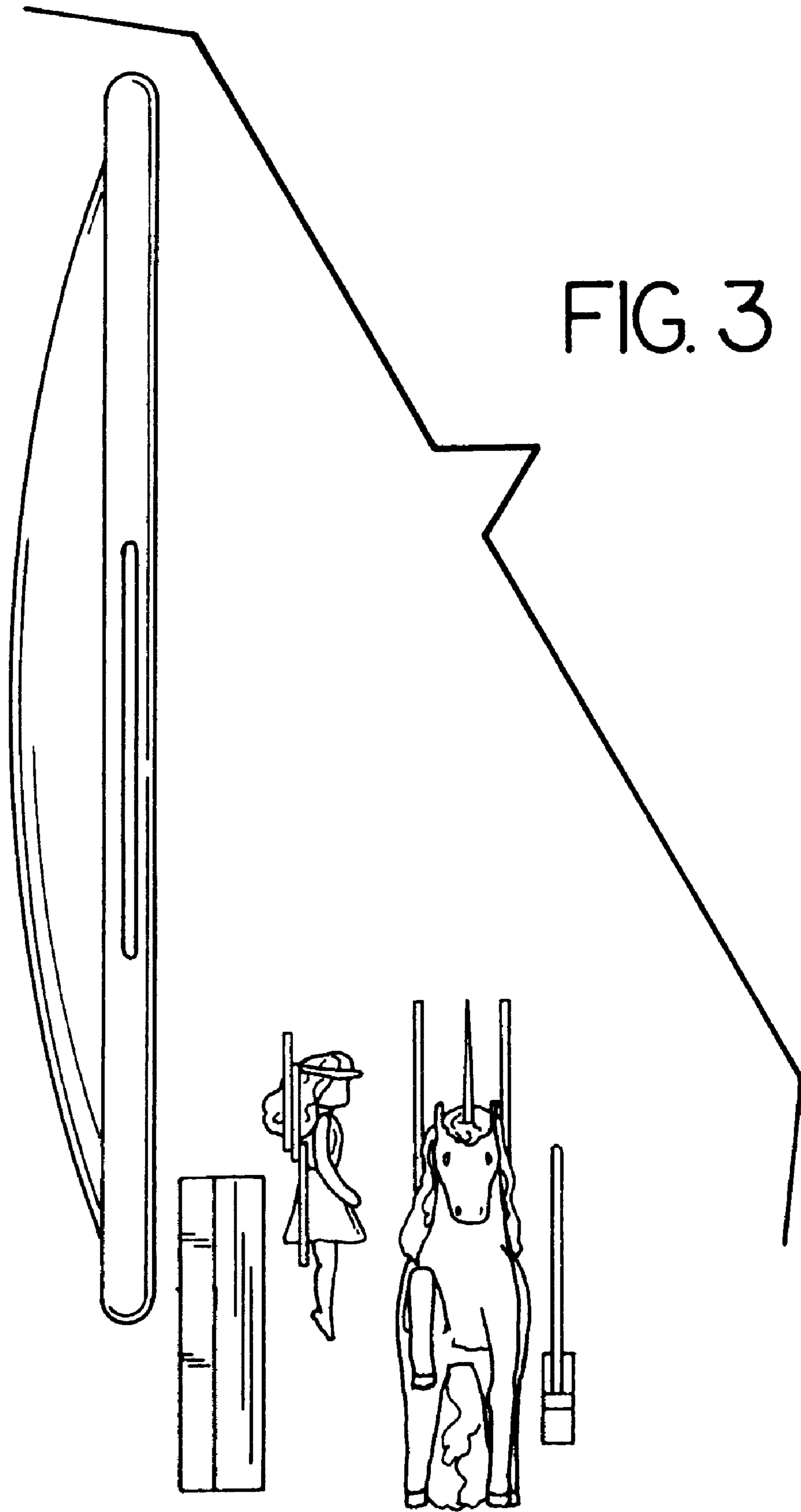
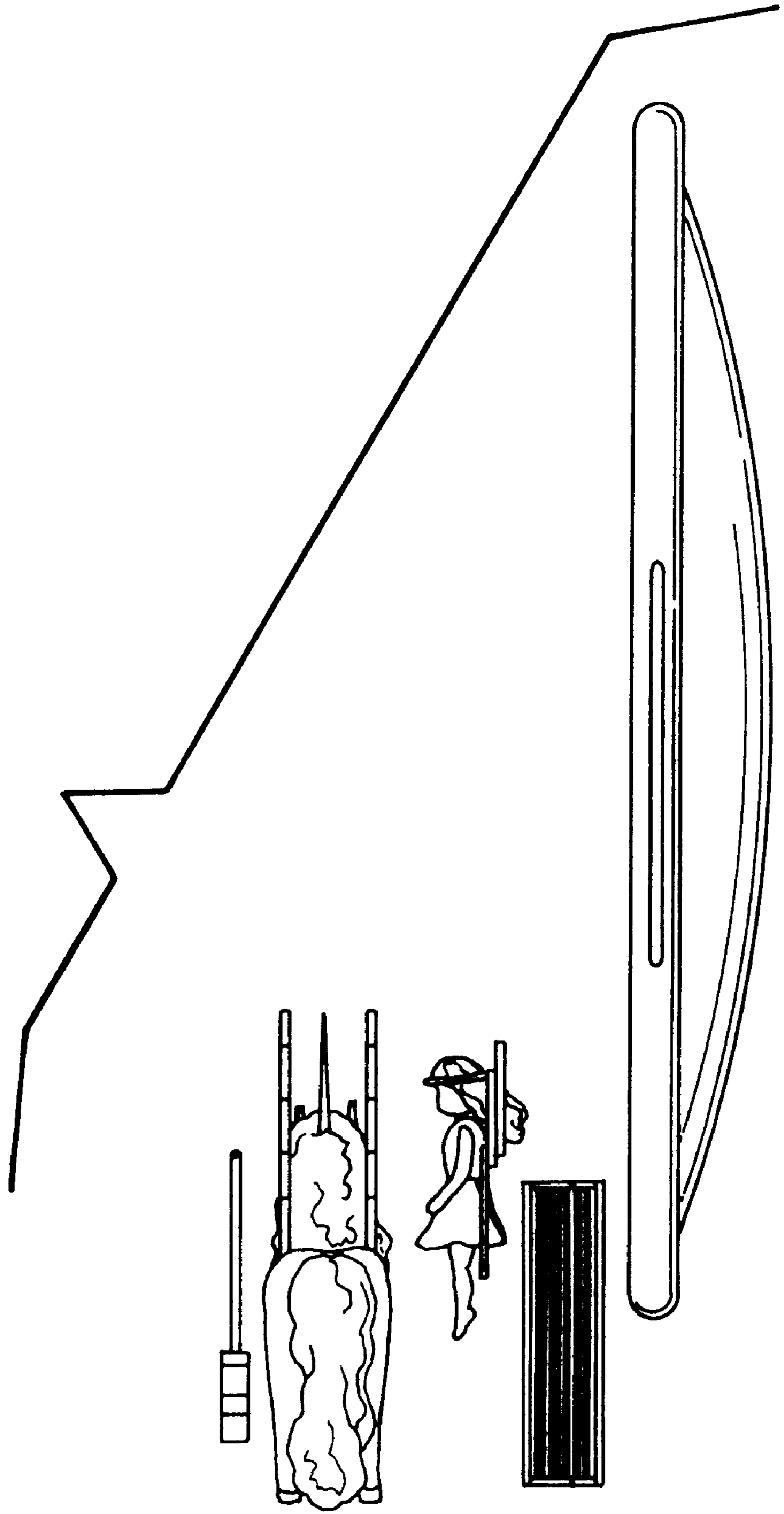


FIG. 4



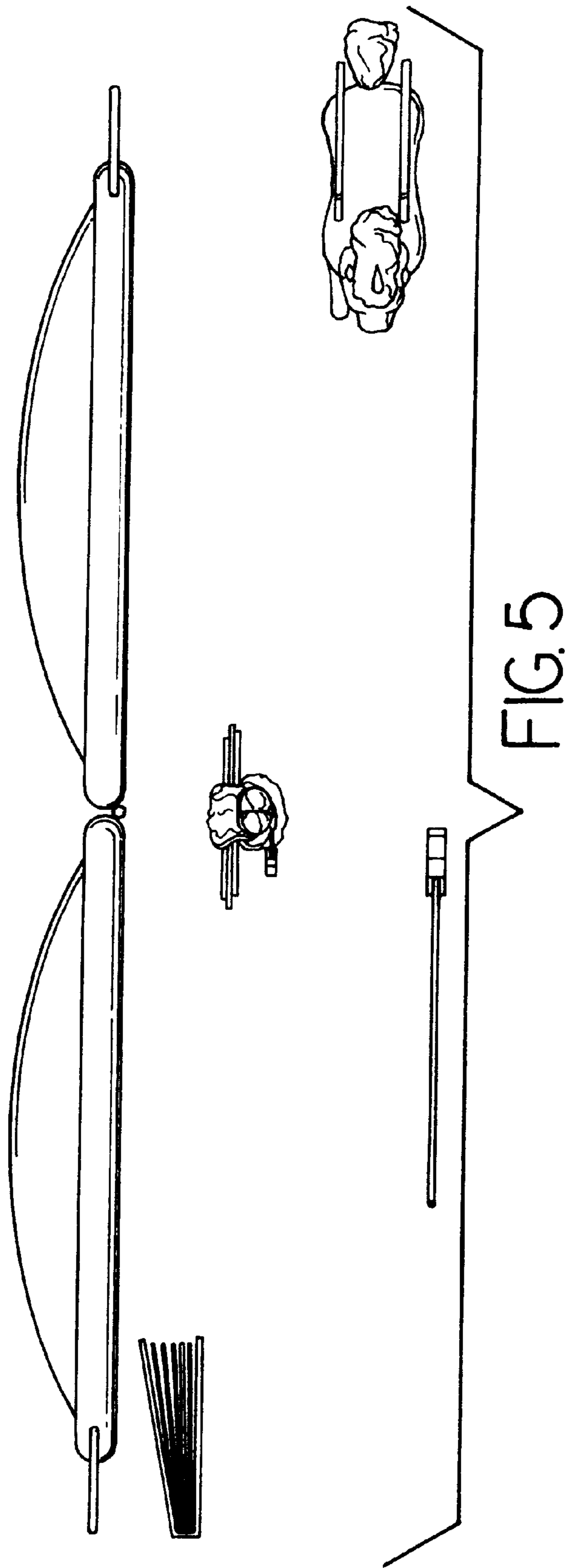


FIG. 6

