



US00D437009S

(12) **United States Design Patent**  
**Chesler**

(10) **Patent No.:** **US D437,009 S**

(45) **Date of Patent:** **\*\* Jan. 30, 2001**

(54) **TABLE TOP MARBLE TWISTER**

**OTHER PUBLICATIONS**

(76) Inventor: **Mark C. Chesler**, 4535 Encino Ave.,  
Encino, CA (US) 91316

Photographs of a Spiral Wire Toy manufactured by Dieter  
(Aug., 1998).

(\*\*) Term: **14 Years**

\* cited by examiner

(21) Appl. No.: **29/118,482**

*Primary Examiner*—Dominic Simone  
(74) *Attorney, Agent, or Firm*—Martin & Ferraro, LLP

(22) Filed: **Feb. 9, 2000**

(57) **CLAIM**

(51) **LOC (7) Cl.** ..... **21-01**

The ornamental design for a table top marble twister, as  
shown.

(52) **U.S. Cl.** ..... **D21/456**

(58) **Field of Search** ..... D21/398, 456,  
D21/564; 446/168, 174; 273/120 R

**DESCRIPTION**

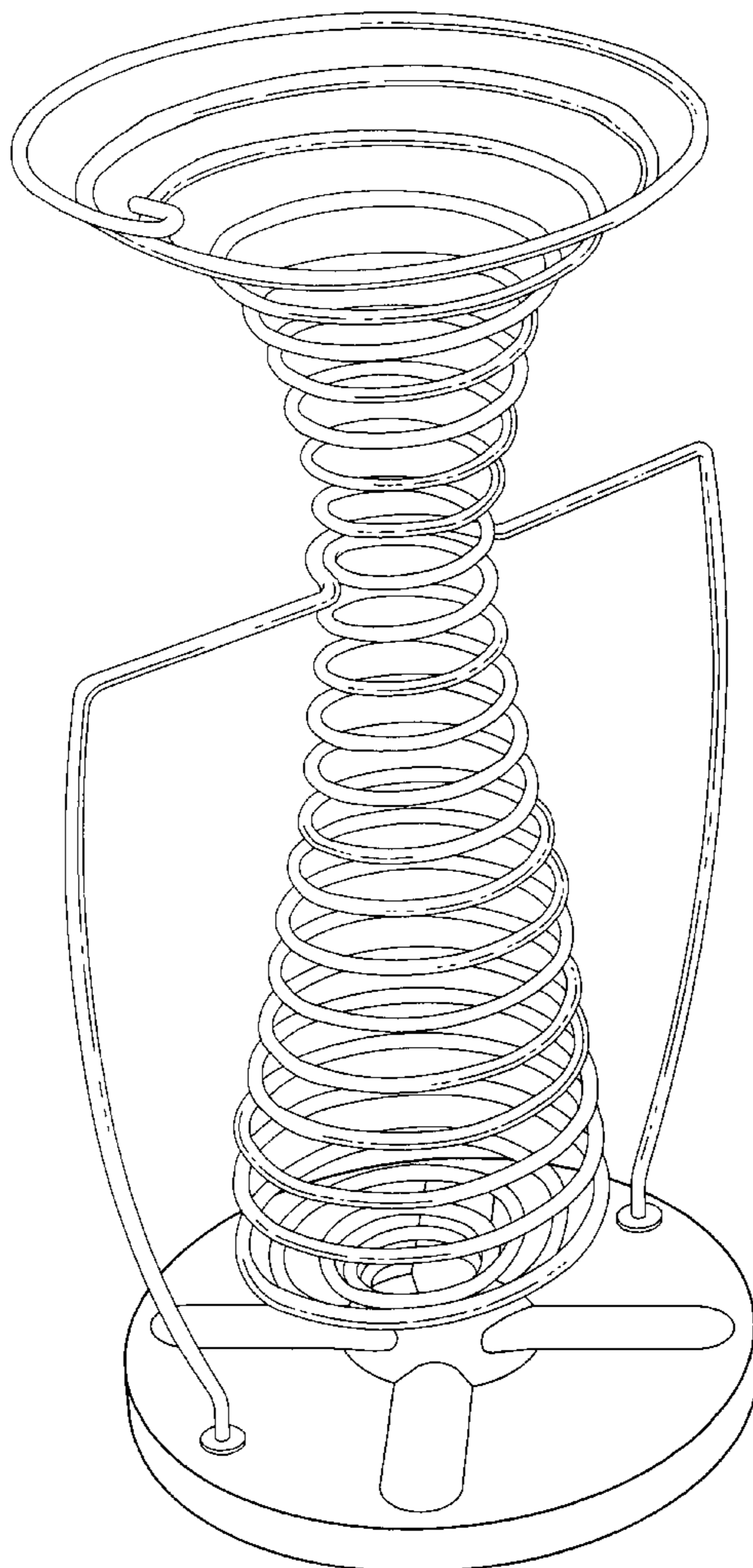
(56) **References Cited**

FIG. 1 is a front perspective view of the table top marble  
twister illustrating my new design;  
FIG. 2 is a front elevation view thereof;  
FIG. 3 is a rear elevation view thereof;  
FIG. 4 is a right side elevation view thereof; and,  
FIG. 5 is a left side elevation view thereof.

**U.S. PATENT DOCUMENTS**

D. 307,780	*	5/1990	Healzer	.....	D21/564
1,009,870	*	11/1911	Wallace et al.	.....	446/274
2,634,128	*	4/1953	Reed	.....	273/120 R
4,175,665	*	11/1979	Dogliotti	.....	446/168 X
4,720,283	*	1/1988	Williams et al.	.....	446/168 X

**1 Claim, 5 Drawing Sheets**



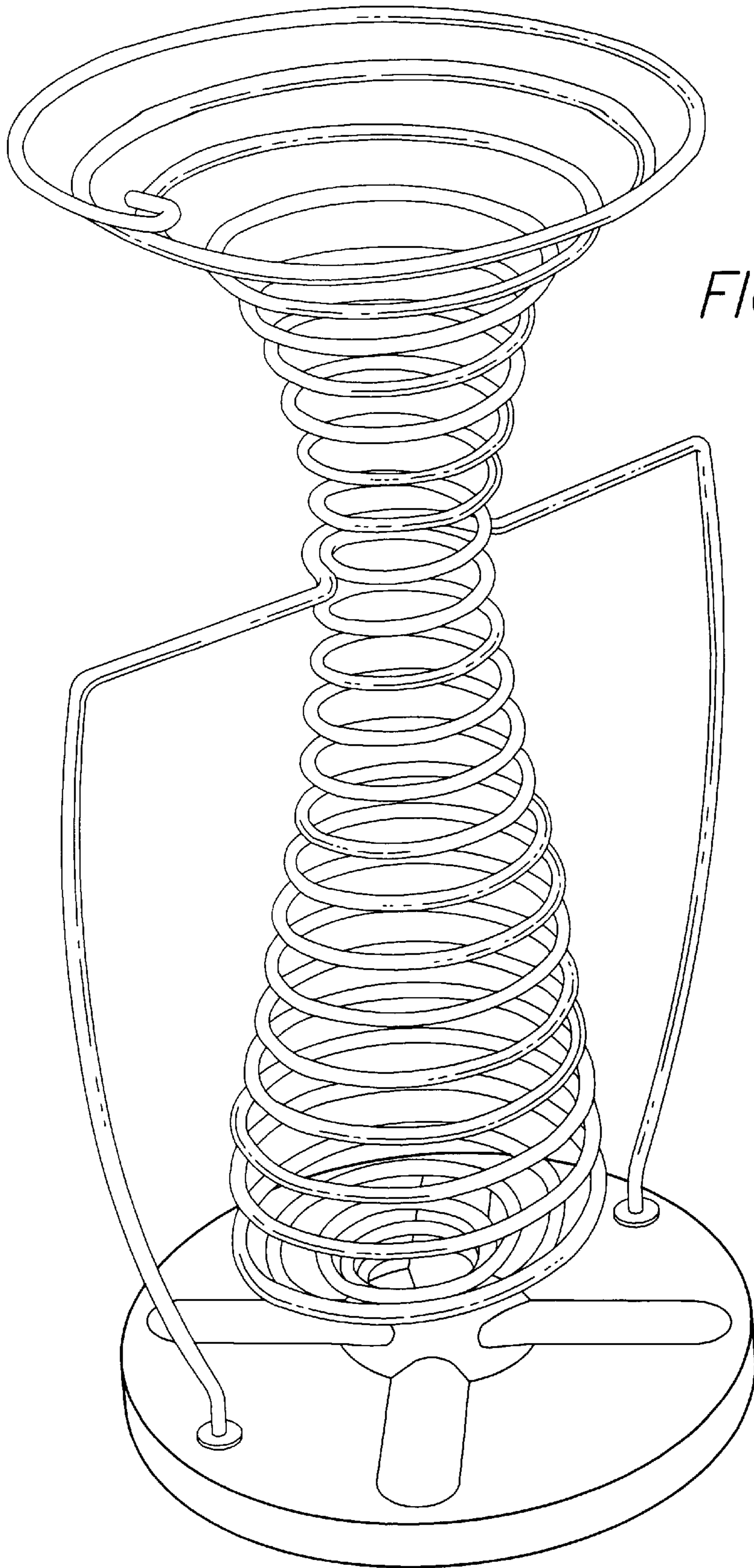


FIG. 1

FIG. 2

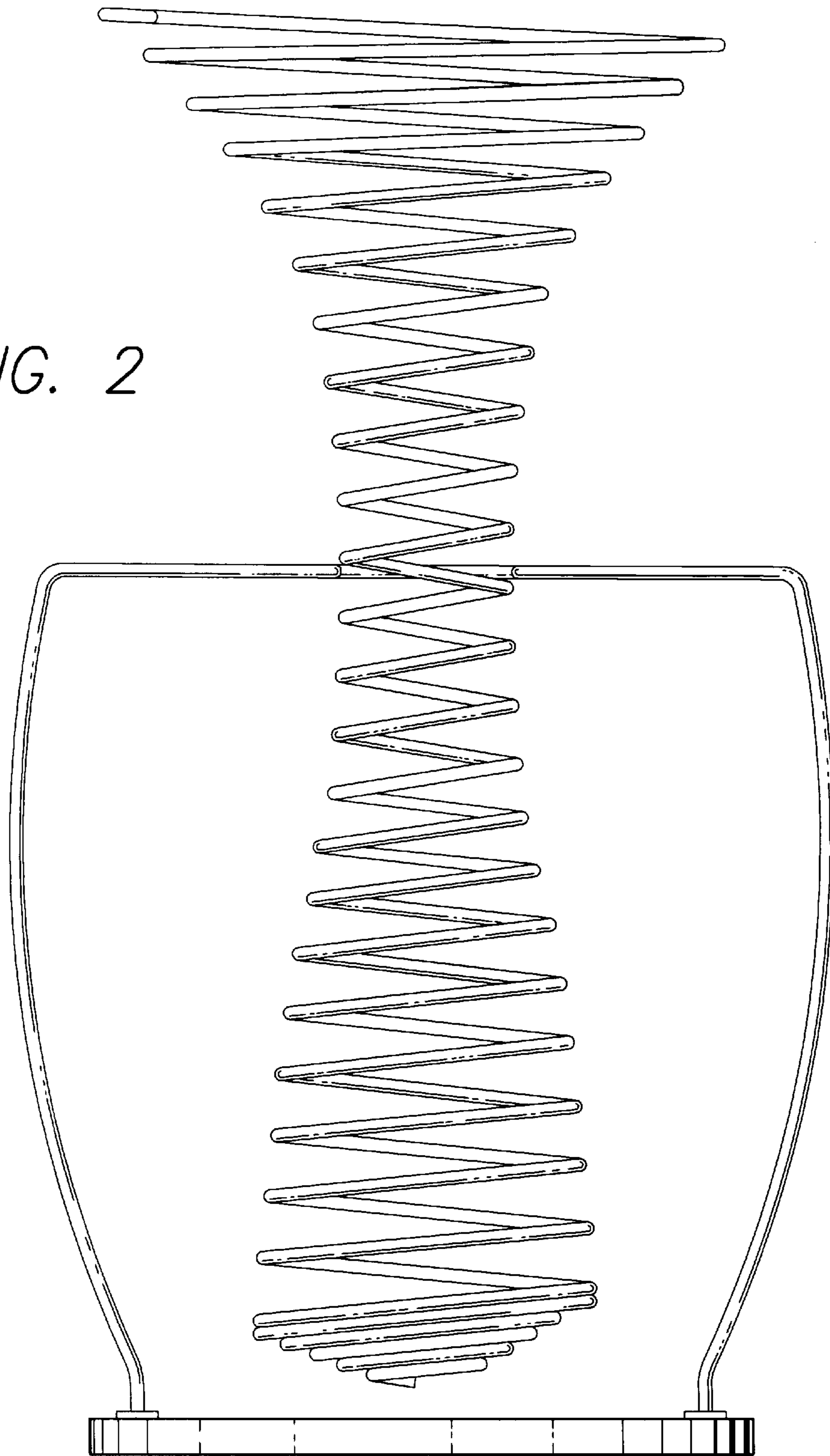


FIG. 3

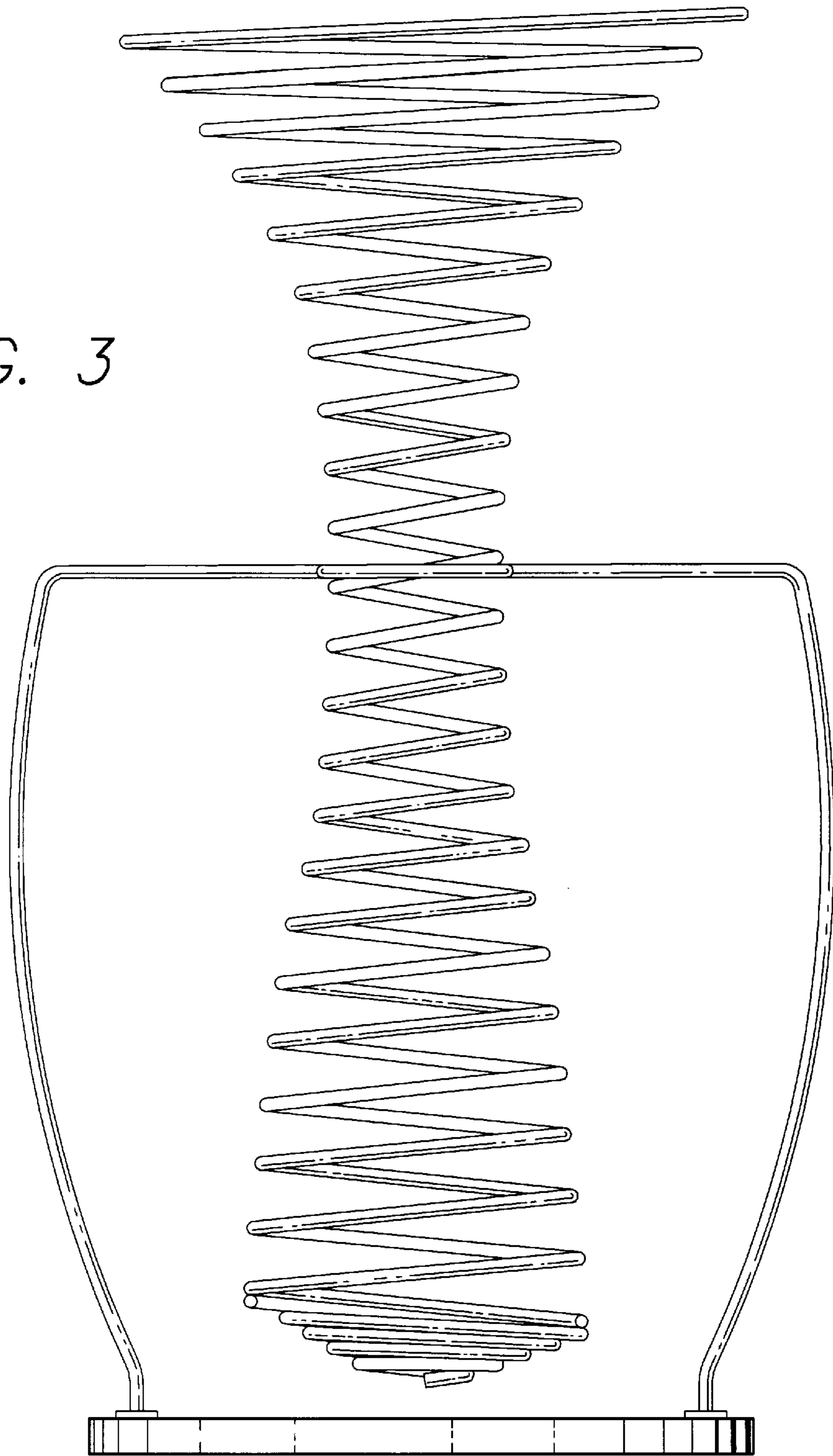


FIG. 4

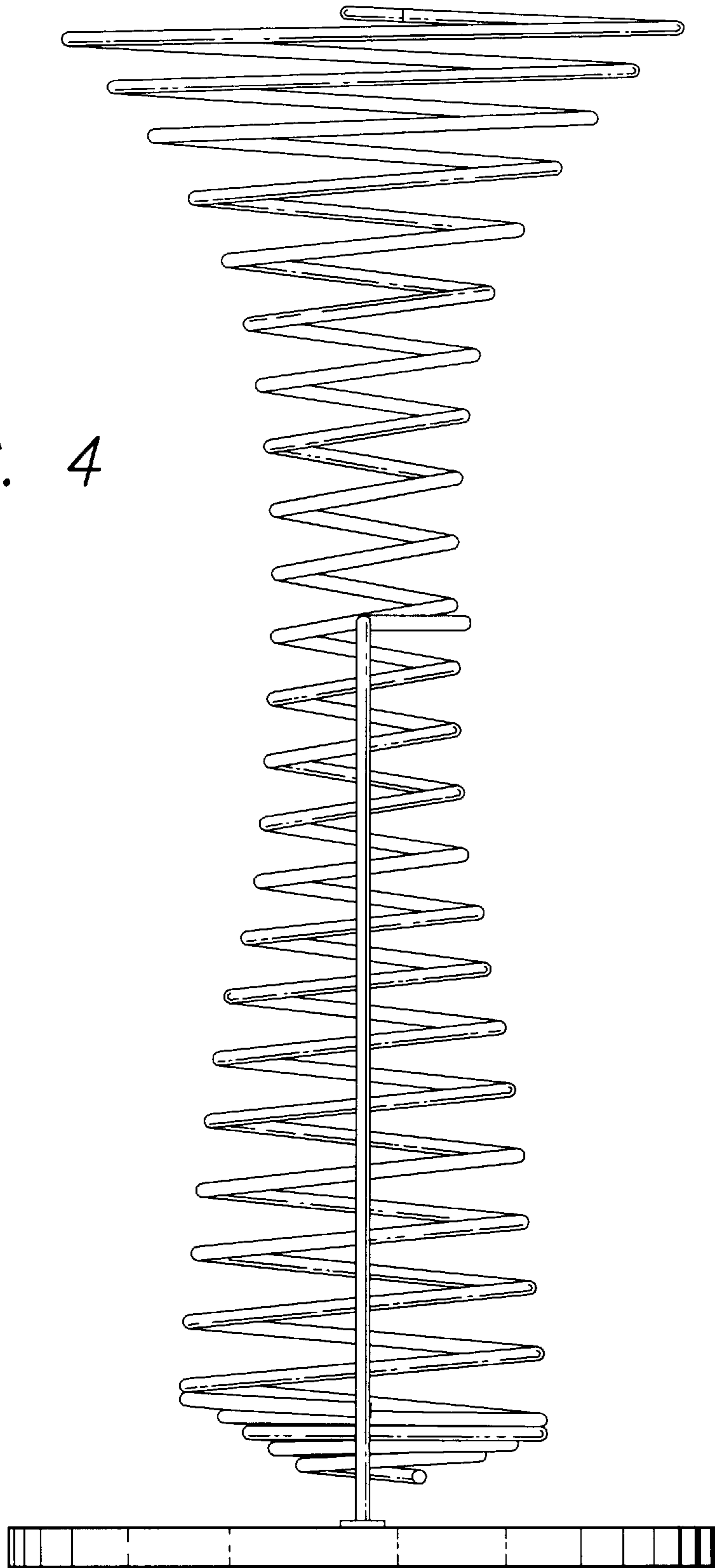




FIG. 5

