



US00D437008S

(12) **United States Design Patent**
Chesler

(10) **Patent No.:** **US D437,008 S**

(45) **Date of Patent:** **** Jan. 30, 2001**

(54) **HANGING MARBLE TWISTER**

OTHER PUBLICATIONS

(76) Inventor: **Mark C. Chesler**, 4535 Encino Ave.,
Encino, CA (US) 91316

Photographs of a Spiral Wire Toy manufactured by Dieter
(Aug., 1998).

(**) Term: **14 Years**

* cited by examiner

(21) Appl. No.: **29/118,481**

Primary Examiner—Dominic Simone

(22) Filed: **Feb. 9, 2000**

(74) *Attorney, Agent, or Firm*—Martin & Ferraro, LLP

(51) **LOC (7) Cl.** **21-05**

(52) **U.S. Cl.** **D21/456**

(58) **Field of Search** D21/398, 456,
D21/564; 446/168, 274; 273/120 R

(57) **CLAIM**

The ornamental design for a hanging marble twister, as
shown.

DESCRIPTION

(56) **References Cited**

FIG. 1 is a front perspective view of the hanging marble
twister illustrating my new design;
FIG. 2 is a front elevation view thereof;
FIG. 3 is a rear elevation view thereof;
FIG. 4 is a right side elevation view thereof; and,
FIG. 5 is a left side elevation view thereof.

U.S. PATENT DOCUMENTS

D. 307,780	*	5/1990	Healzer	D21/564
1,009,870	*	11/1911	Wallace et al.	446/274
2,634,128	*	4/1953	Reed	273/120 R
4,175,665	*	11/1979	Dogliotti	446/168 X
4,720,283	*	1/1988	Williams et al.	446/168 X

1 Claim, 5 Drawing Sheets

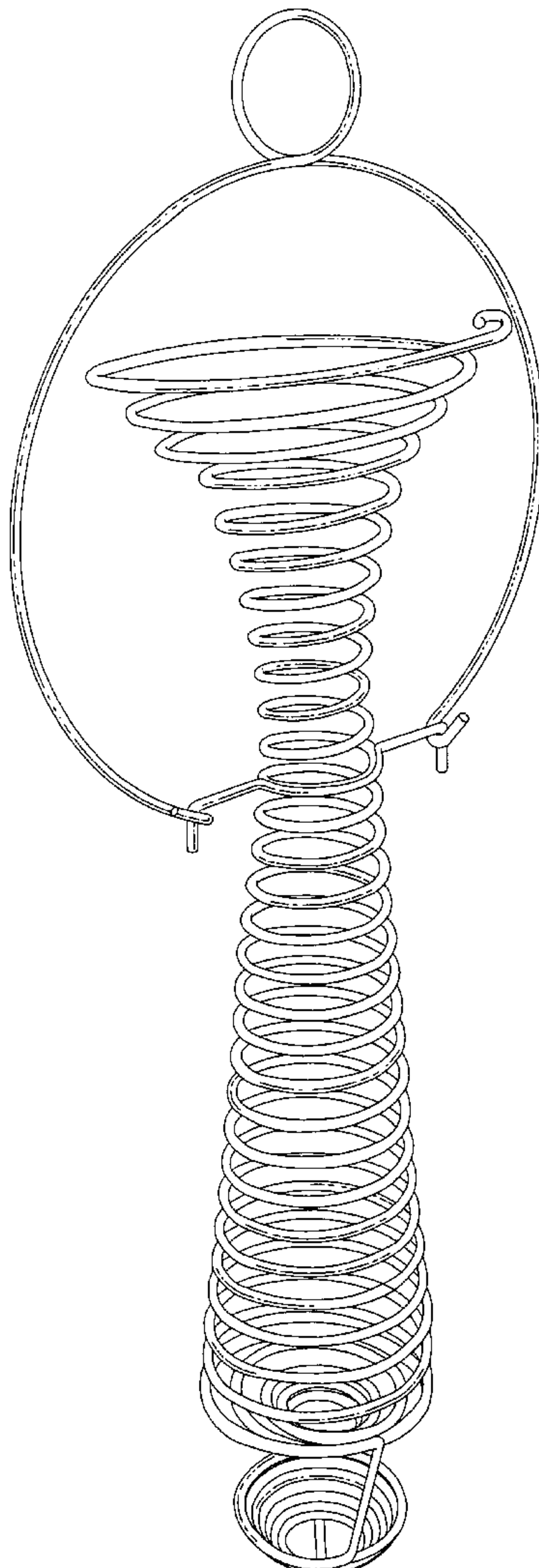


FIG. 1

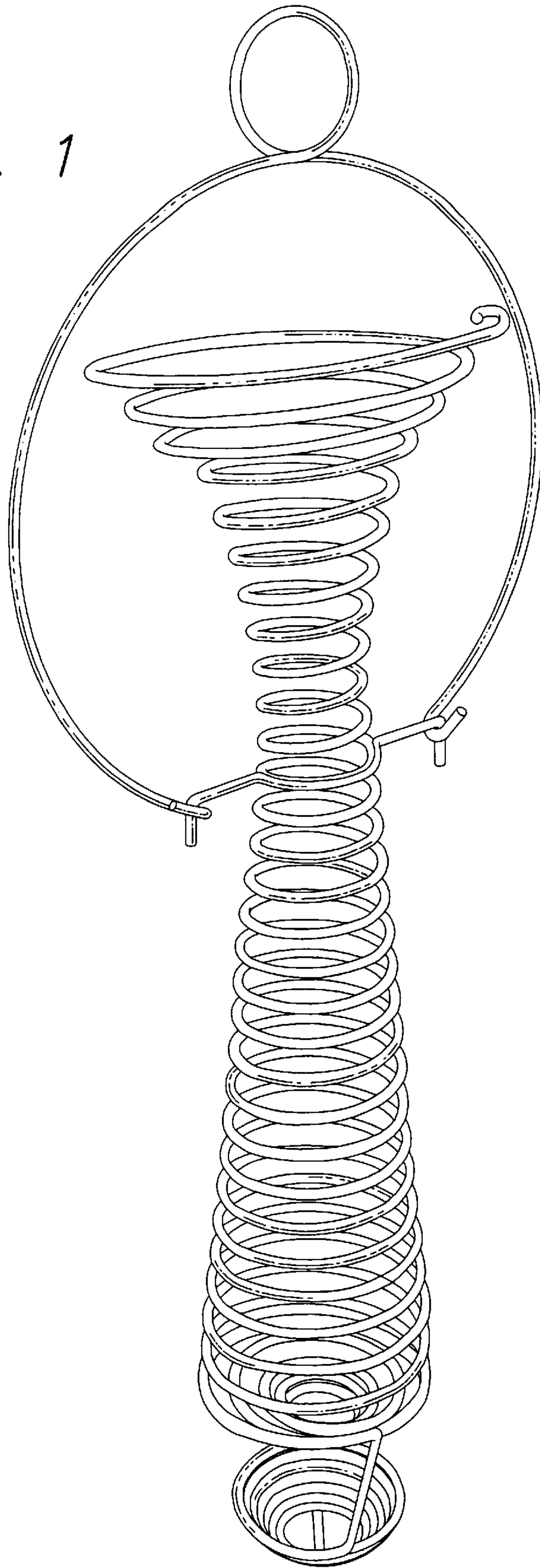
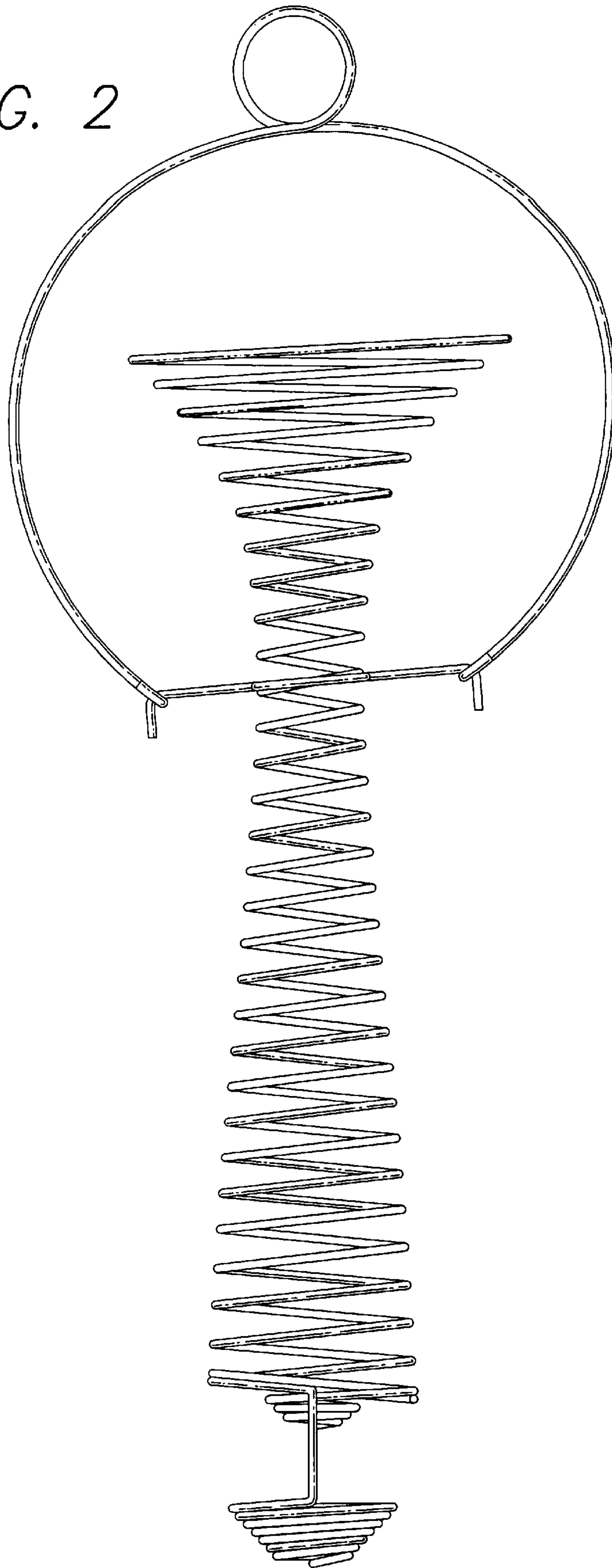


FIG. 2



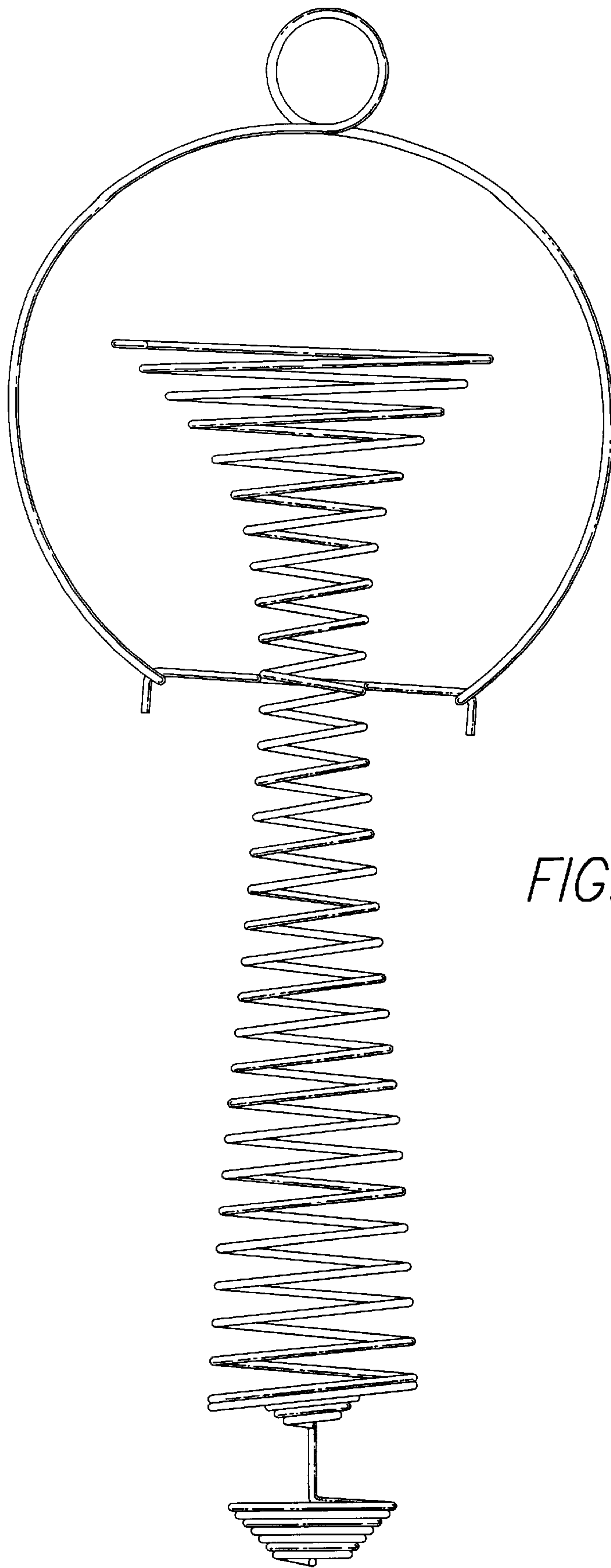


FIG. 3

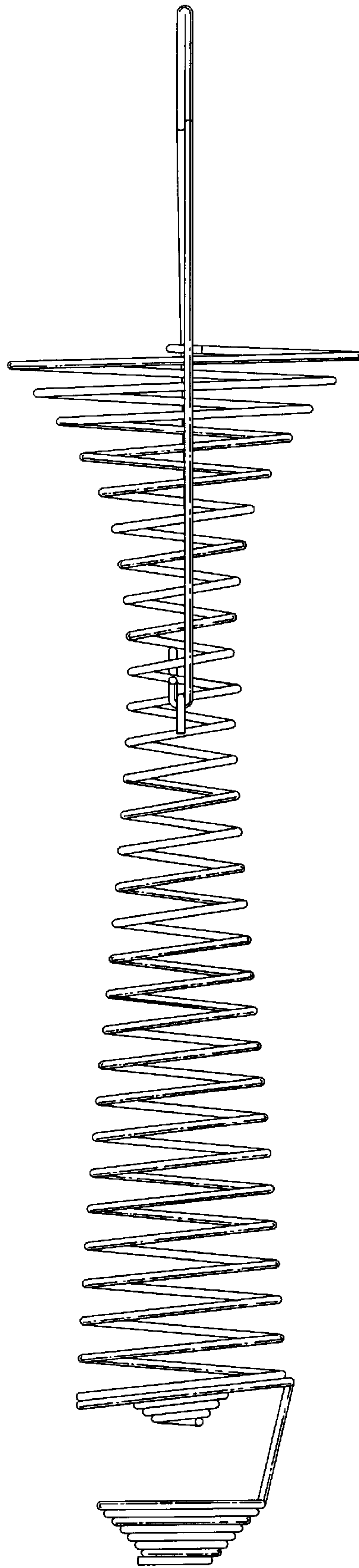


FIG. 4

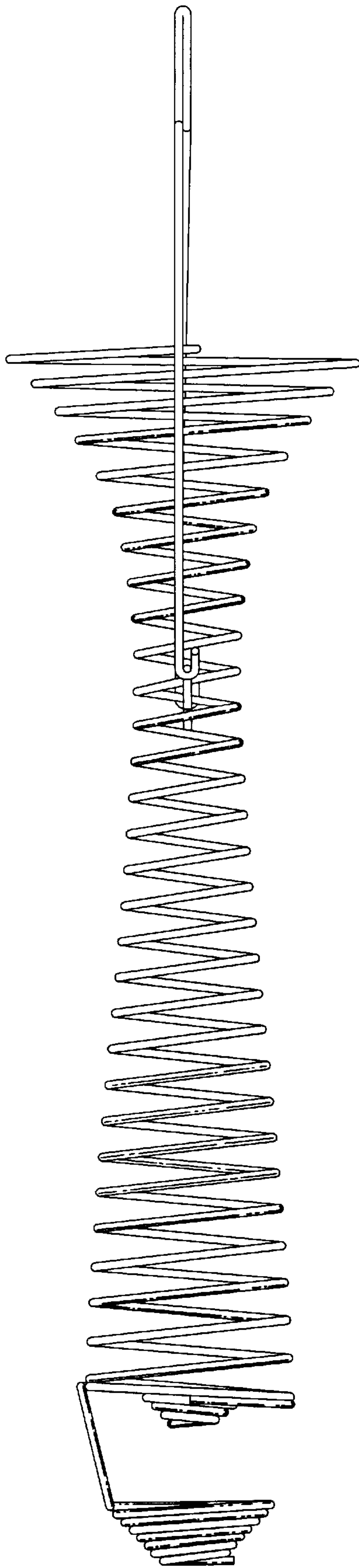


FIG. 5