



US00D437007S

(12) **United States Design Patent**  
**Lerch**

(10) **Patent No.:** **US D437,007 S**

(45) **Date of Patent:** **\*\* Jan. 30, 2001**

(54) **CHILDREN'S RIDE-ON VEHICLE**

(75) Inventor: **Karl D. Lerch**, East Aurora, NY (US)

(73) Assignee: **Mattel, Inc.**, El Segundo, CA (US)

(\*\*) Term: **14 Years**

(21) Appl. No.: **29/118,442**

(22) Filed: **Feb. 7, 2000**

(51) **LOC (7) Cl.** ..... **21-01**

(52) **U.S. Cl.** ..... **D21/432**

(58) **Field of Search** ..... D21/419-435,  
D21/538; D12/110, 112; 446/424, 425,  
427, 433, 440, 454, 456, 457, 462, 465,  
470; 280/1.13, 828, 87.01, 87.021, 47.11,  
282; 180/219

(56) **References Cited**

**U.S. PATENT DOCUMENTS**

D. 263,576	3/1982	Morioka .	
D. 264,574	5/1982	Kurishima et al. .	
D. 276,059	* 10/1984	Smollar et al. ....	D21/538
D. 299,710	2/1989	Iwakura et al. .	
D. 384,916	* 10/1997	Rodriguez Ferre .....	D12/110
D. 385,227	10/1997	Katoh .	
D. 389,536	1/1998	Mira Verdu .	
D. 390,889	* 2/1998	Rodriguez Ferre .....	D12/110
D. 400,605	11/1998	Rodriguez Ferre .	
D. 428,068	* 7/2000	Lerch .....	D21/432
1,571,489	2/1926	Morihata .	
3,874,700	* 4/1975	Lohr .....	280/282

4,087,107	5/1978	Winchell .
4,201,011	5/1980	Cook .
4,494,763	1/1985	Whitehead .
4,739,851	4/1988	Perego .
4,938,092	7/1990	Nebu et al. .
5,533,899	7/1996	Young .
5,765,871	6/1998	Wyman et al. .
5,820,439	10/1998	Hair, III .

**OTHER PUBLICATIONS**

Harley-Davidson catalog, p. 2, 1989.  
Fisher-Price Toy Fair Catalog, pp. 90-91, 1999.

\* cited by examiner

*Primary Examiner*—Raphael Barkai  
(74) *Attorney, Agent, or Firm*—Kolisch, Hartwell,  
Dickinson, McCormack & Heuser

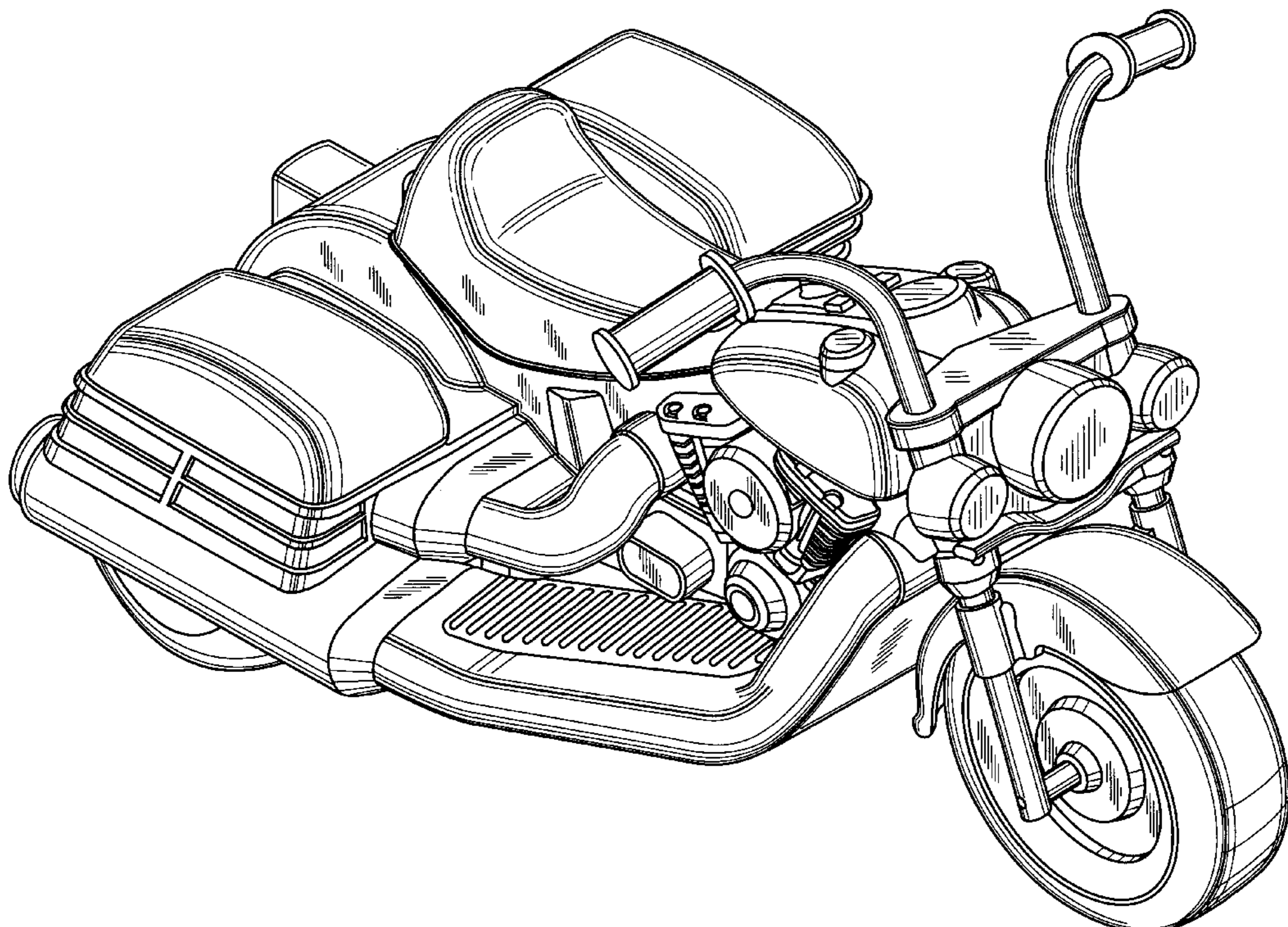
(57) **CLAIM**

The ornamental design for a children's ride-on vehicle, as shown and described.

**DESCRIPTION**

FIG. 1 is a front isometric view of a children's ride-on vehicle showing the claimed design.  
FIG. 2 is a top plan view of the vehicle of FIG. 1.  
FIG. 3 is a right side elevation view of the vehicle of FIG. 1.  
FIG. 4 is a left side elevation view of the vehicle of FIG. 1.  
FIG. 5 is a front elevation view of the vehicle of FIG. 1; and,  
FIG. 6 is a rear elevation view of the vehicle of FIG. 1.

**1 Claim, 6 Drawing Sheets**





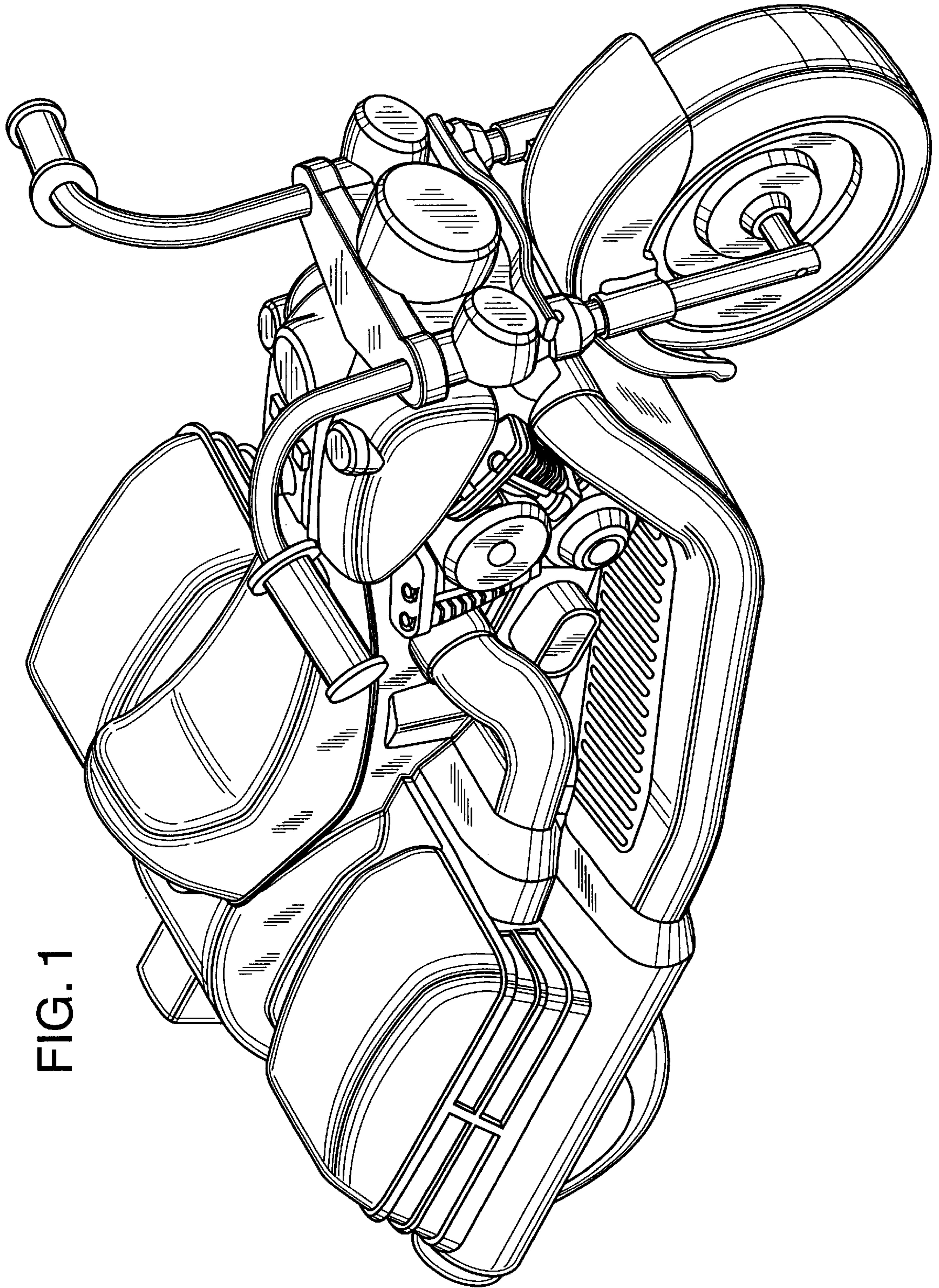
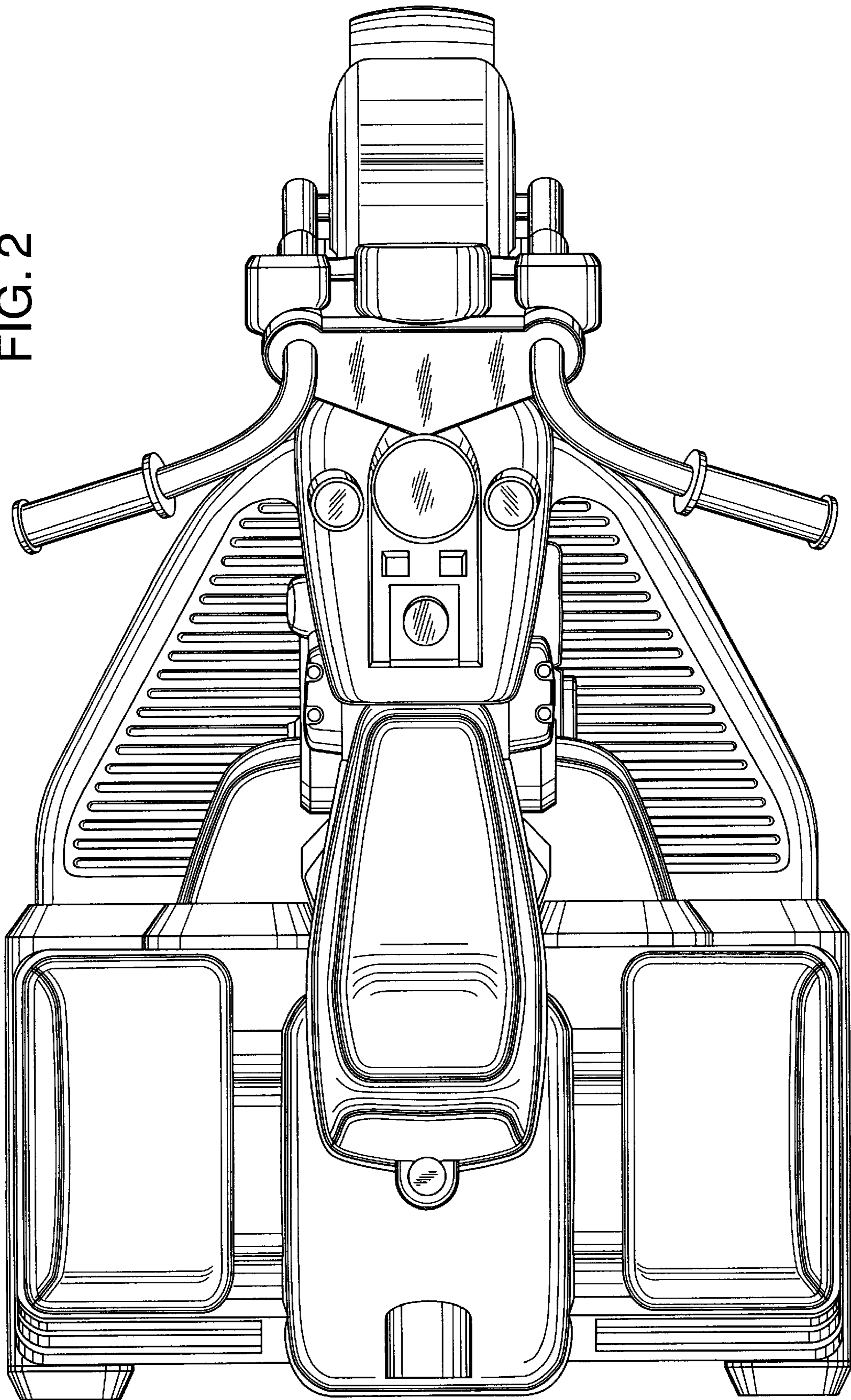


FIG. 1

FIG. 2





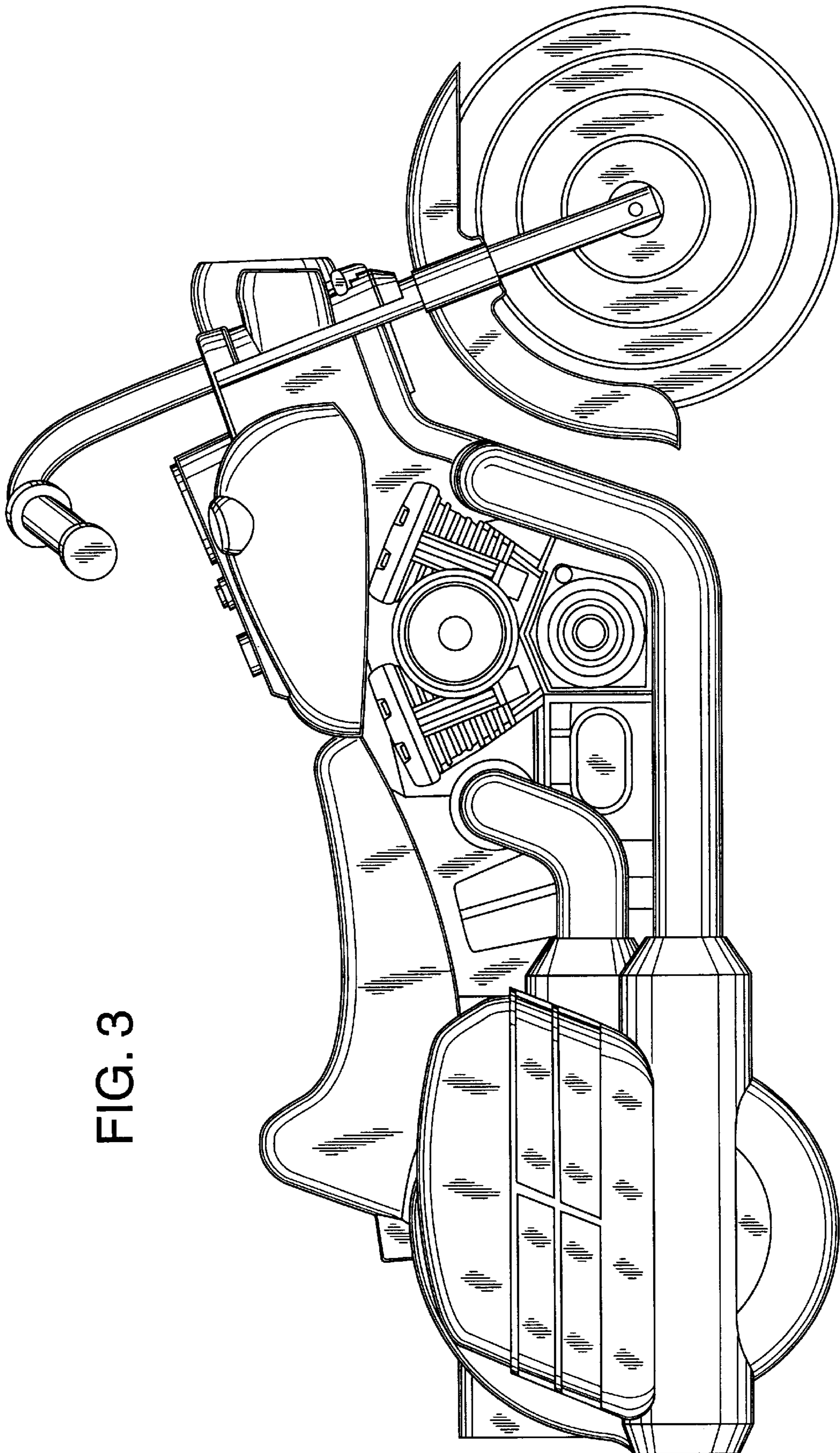
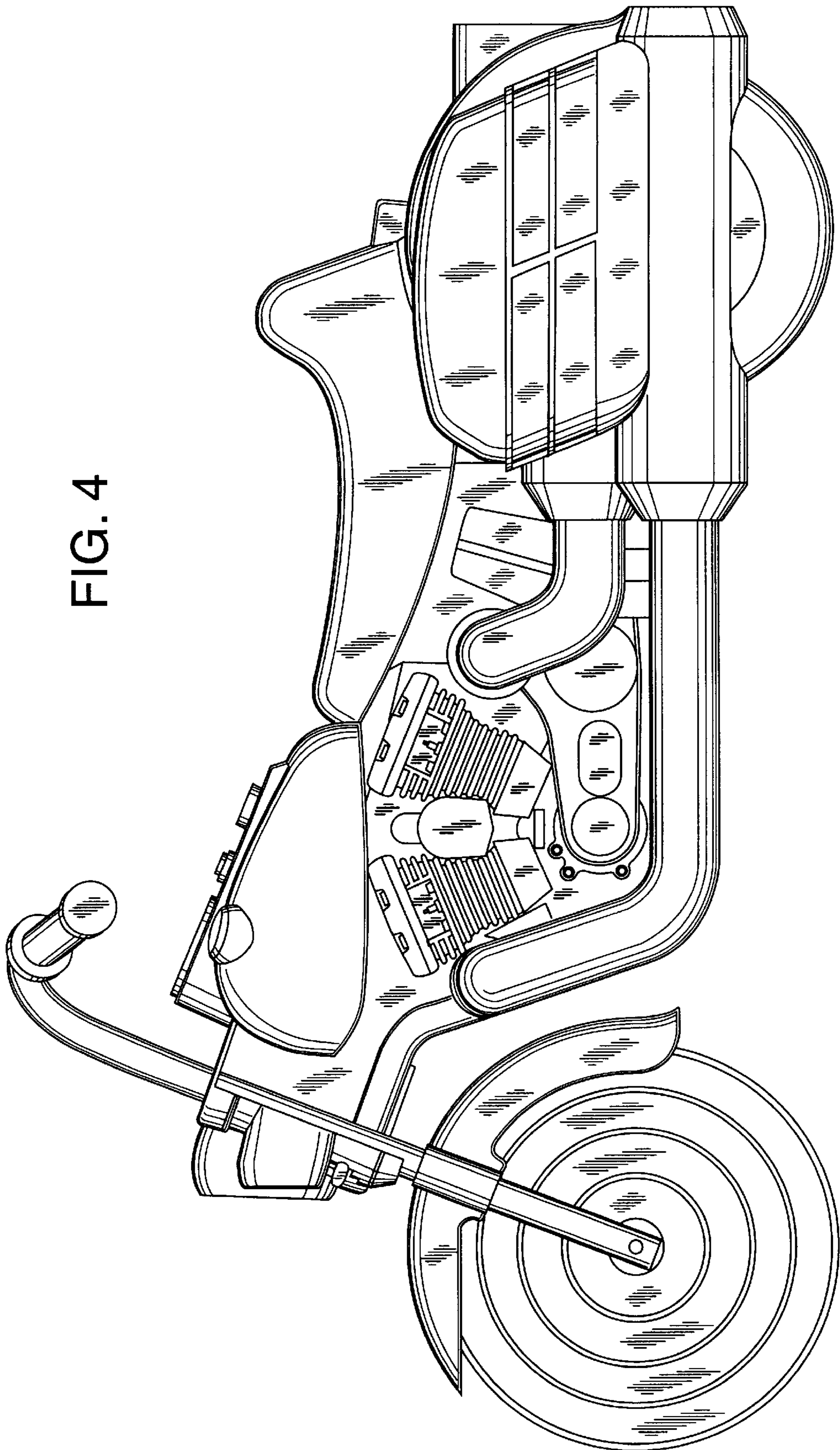


FIG. 3

FIG. 4



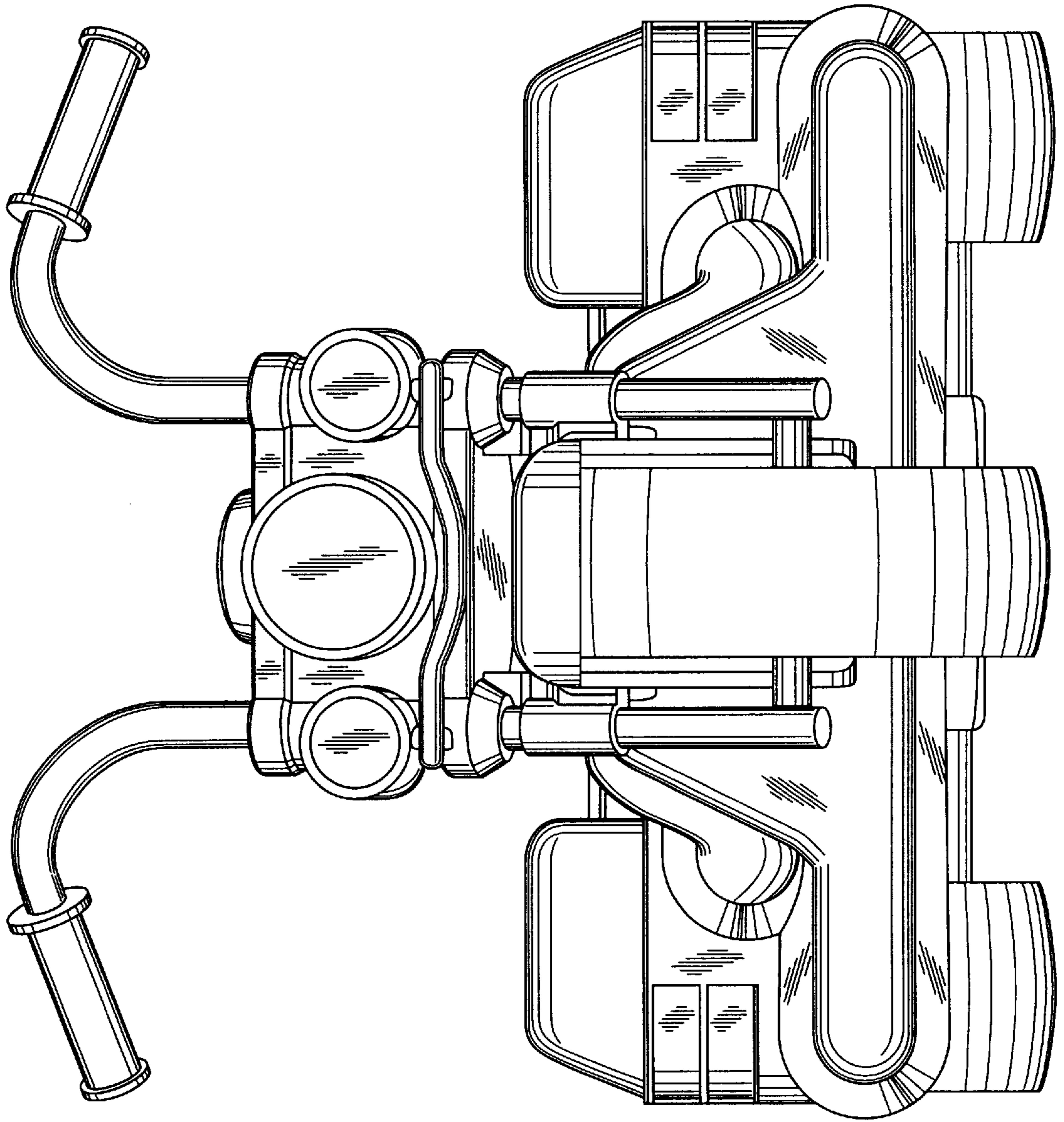


FIG. 5



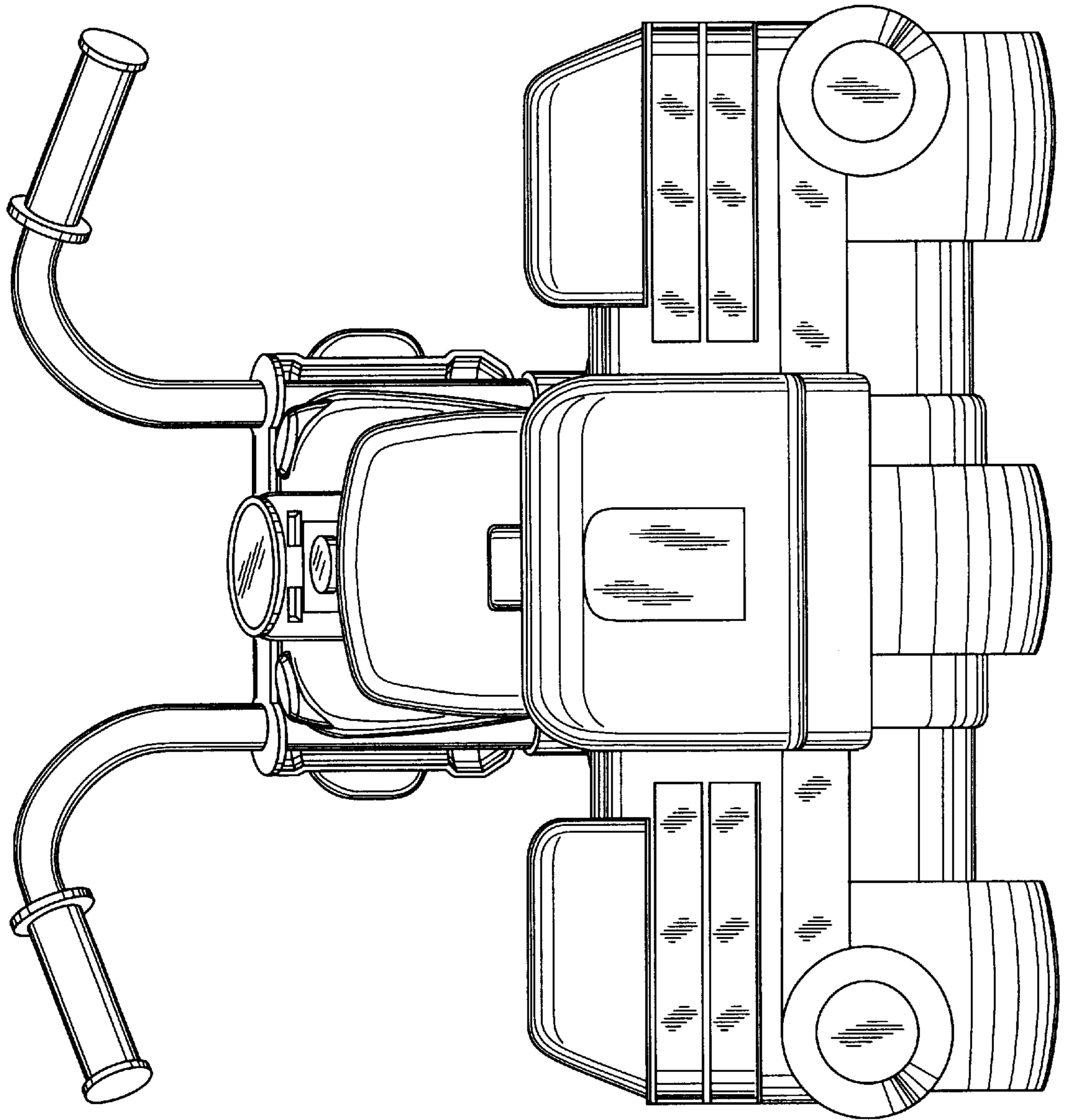


FIG. 6