



US00D437006S

(12) **United States Design Patent**
Pardi

(10) **Patent No.:** **US D437,006 S**

(45) **Date of Patent:** **** Jan. 30, 2001**

(54) **CHILDREN'S RIDE-ON VEHICLE
CARRIAGE**

(75) **Inventor:** **Jared Paul Pardi**, East Aurora, NY
(US)

(73) **Assignee:** **Mattel, Inc.**, El Segundo, CA (US)

(**) **Term:** **14 Years**

(21) **Appl. No.:** **29/118,425**

(22) **Filed:** **Feb. 7, 2000**

(51) **LOC (7) Cl.** **21-01**

(52) **U.S. Cl.** **D21/425**

(58) **Field of Search** D21/419, 424,
D21/425, 533-536, 561; D12/17, 19, 20;
D34/12; 280/47.25, 47.26, 47.27, 87.042,
87.041; 446/465, 470

(56) **References Cited**

U.S. PATENT DOCUMENTS

91,398	6/1869	Wirtz .	
101,310	3/1870	Purroy .	
D. 136,836	* 12/1943	Kenney	D21/536
184,435	11/1876	Slemmer .	
D. 188,552	* 8/1960	Rassier	D21/425
199,518	1/1878	Crandall .	
209,777	11/1878	Ross .	
D. 309,968	* 8/1990	Parshall	D21/425
D. 332,639	* 1/1993	Argandona et al.	D21/425
495,531	4/1893	Thorp .	
632,278	9/1899	Plass .	
787,670	4/1905	Hyde .	
808,616	12/1905	Thompson .	
908,229	12/1908	Fahrney .	
970,849	9/1910	Pettit et al. .	
990,997	5/1911	Magee .	
1,439,394	12/1922	Banks .	
1,585,197	5/1926	Marcoux .	
1,808,887	6/1931	Dunkley .	
2,794,649	6/1957	Arndt et al. .	

3,141,681	*	7/1964	Cedarstrand	280/47.25
3,514,117		5/1970	Olsen .	
3,765,696	*	10/1973	Capron	280/47.25
4,546,989		10/1985	Peterson .	
5,074,820		12/1991	Nakayama .	
5,316,515		5/1994	Hyman et al. .	
5,697,621		12/1997	Nazarian .	

OTHER PUBLICATIONS

Little Tikes Toy Catalog, P 22, 1992.*

* cited by examiner

Primary Examiner—Raphael Barkai

(74) *Attorney, Agent, or Firm*—Kolisch, Hartwell,
Dickinson, McCormack & Heuser

(57) **CLAIM**

The ornamental design for a children's ride-on vehicle carriage, as shown and described.

DESCRIPTION

FIG. 1 is a top plan view of a children's ride-on vehicle carriage showing an embodiment of the claimed design.

FIG. 2 is left side elevation view of the carriage of FIG. 1, with the right side elevation view being the mirror image thereof.

FIG. 3 is a front elevation view of the carriage of FIG. 1.

FIG. 4 is a rear elevation view of the carriage of FIG. 1.

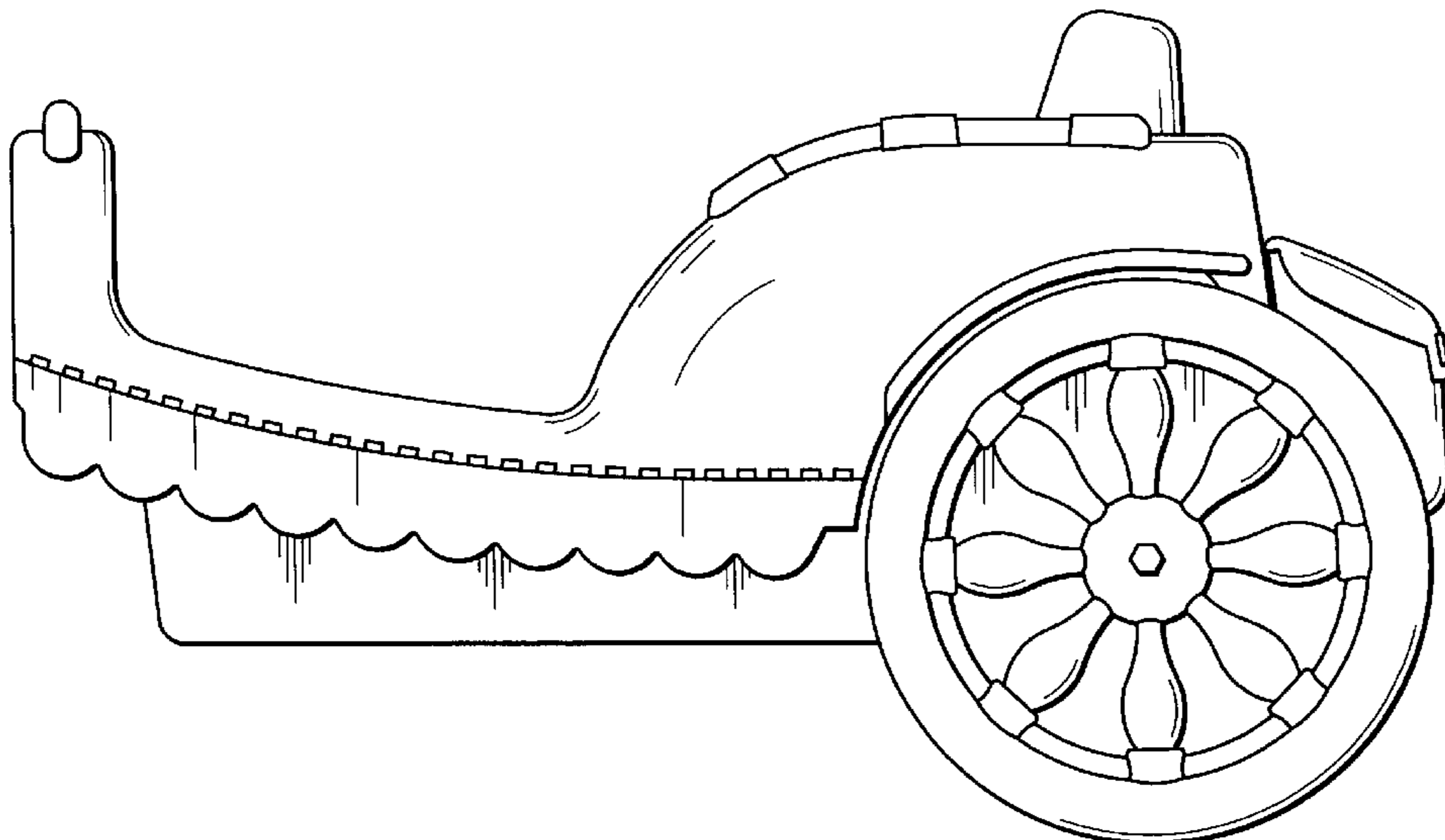
FIG. 5 is a top plan view of a children's ride-on vehicle carriage showing another embodiment of the claimed design.

FIG. 6 is left side elevation view of the carriage of FIG. 5, with the right side elevation view being the mirror image thereof.

FIG. 7 is a front elevation view of the carriage of FIG. 5; and,

FIG. 8 is a rear elevation view of the carriage of FIG. 5. The bottom of the carriage forms no part of the claimed design.

1 Claim, 6 Drawing Sheets



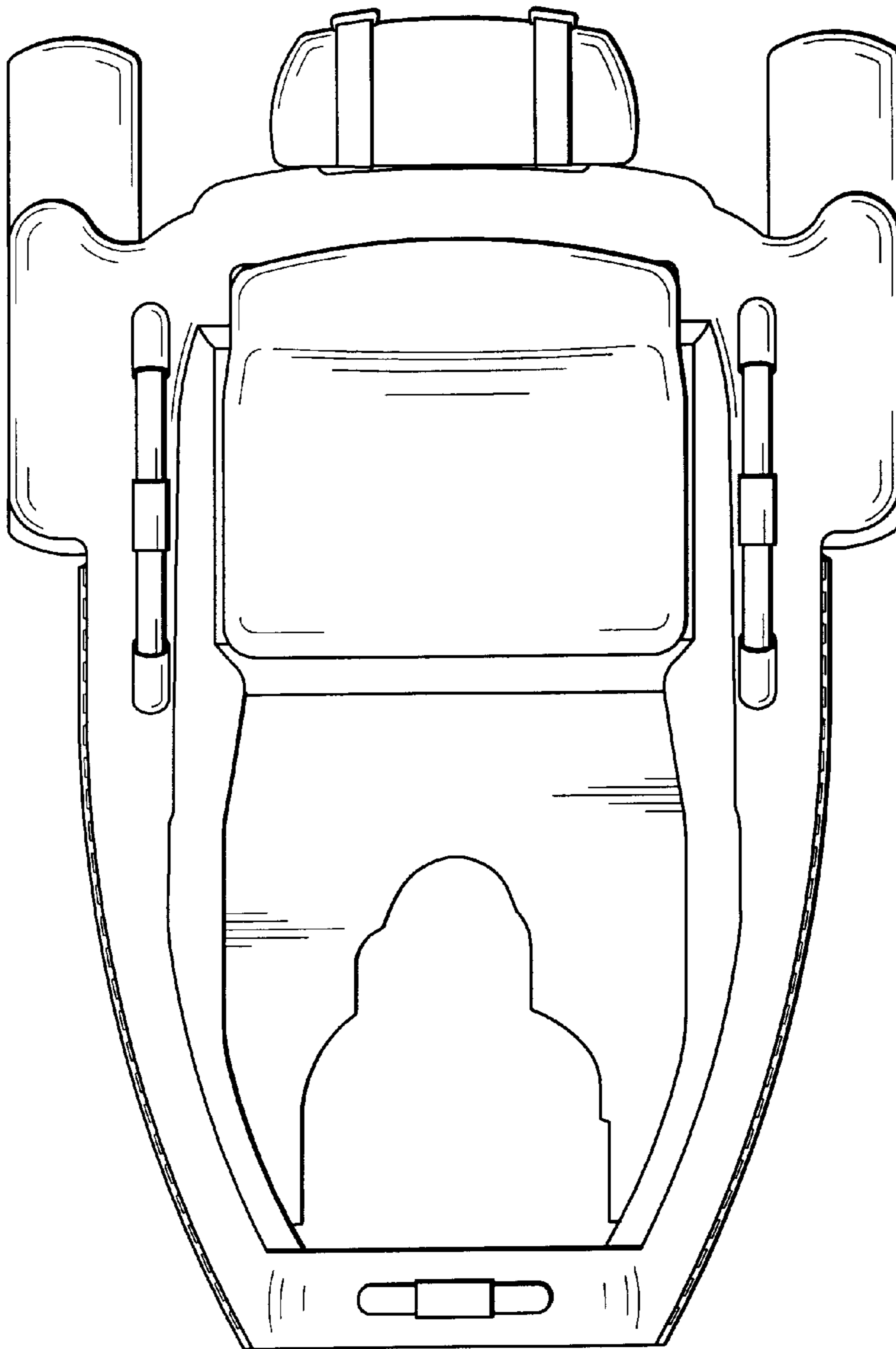


FIG. 1

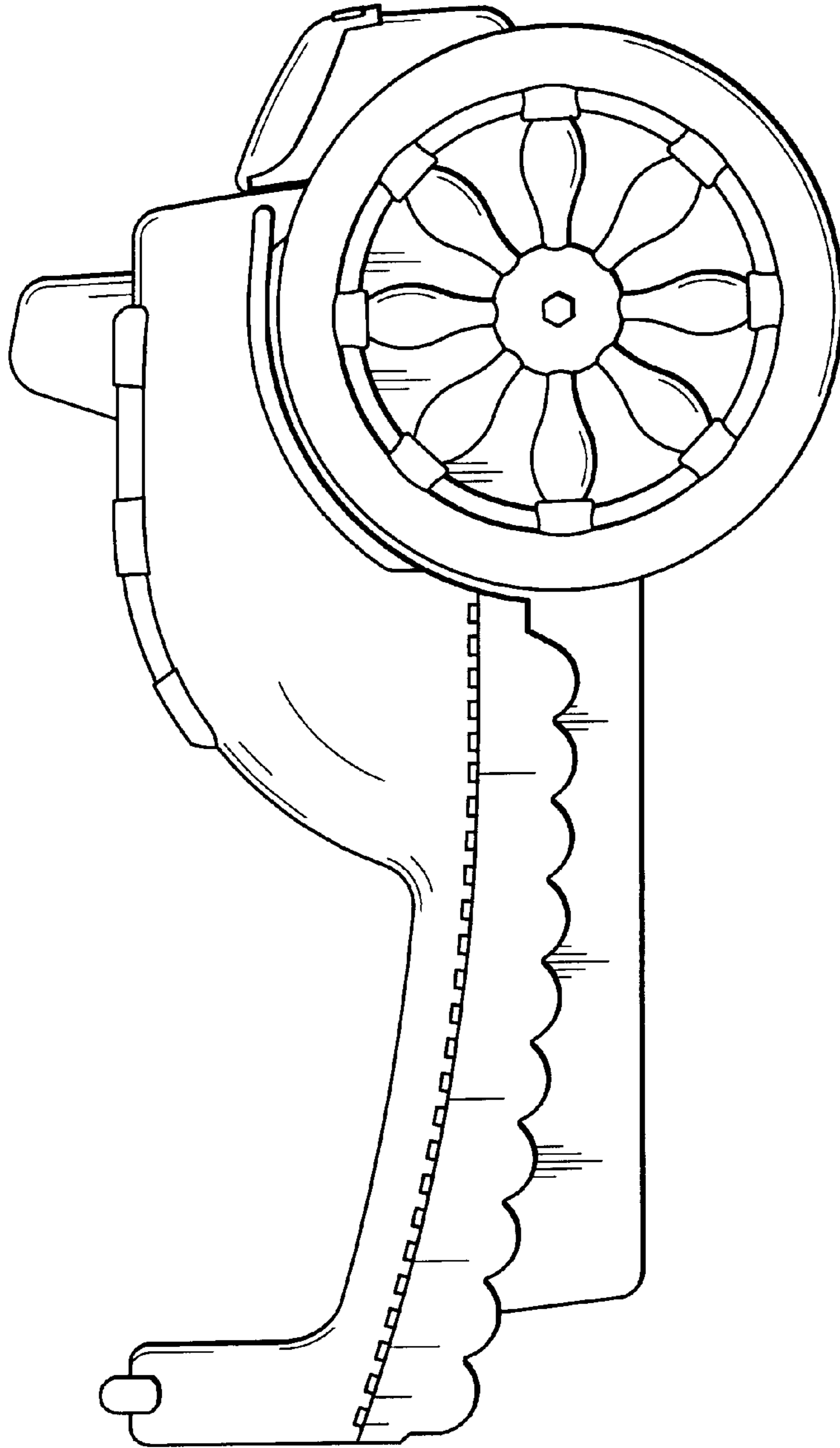


FIG. 2

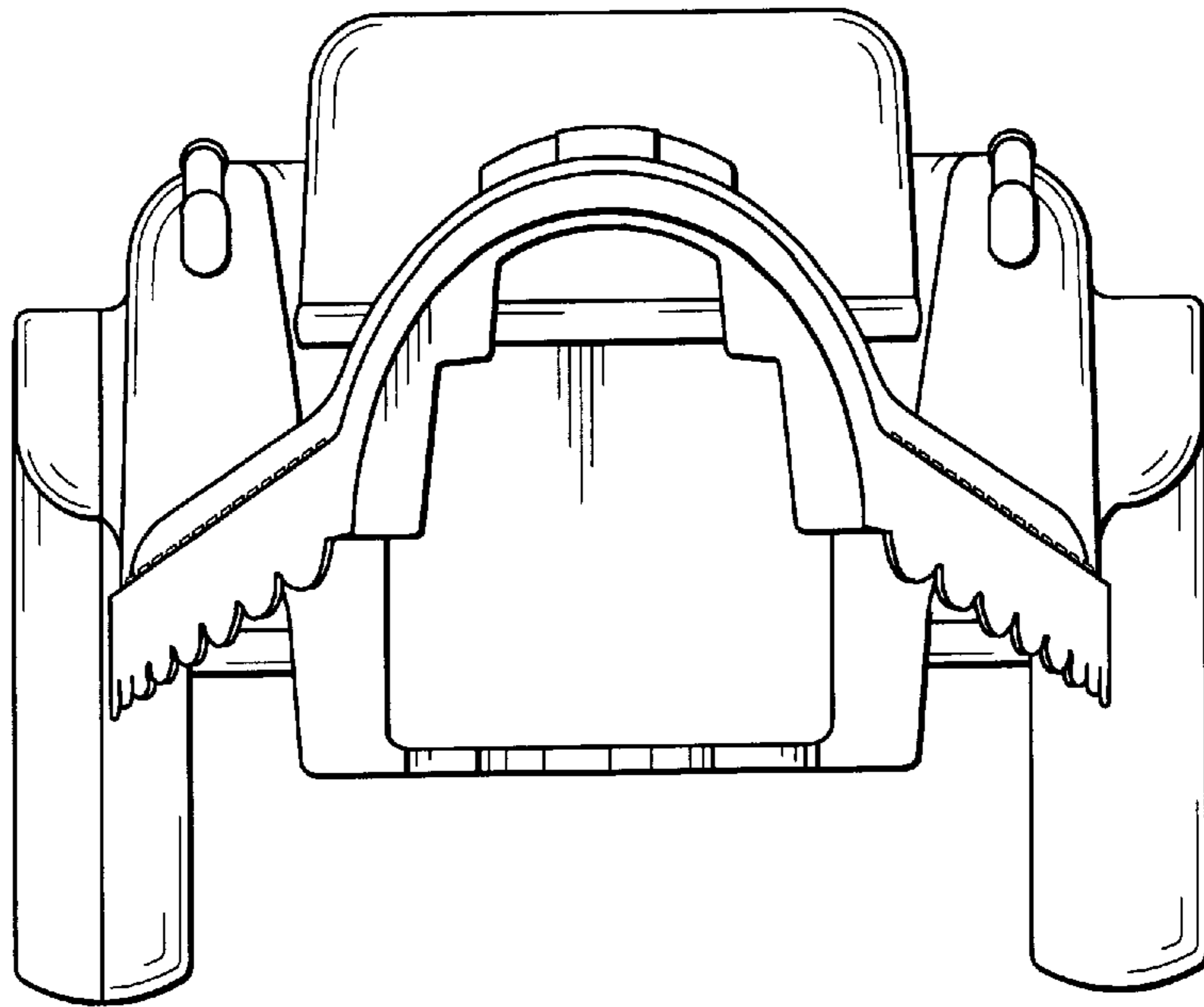


FIG. 3

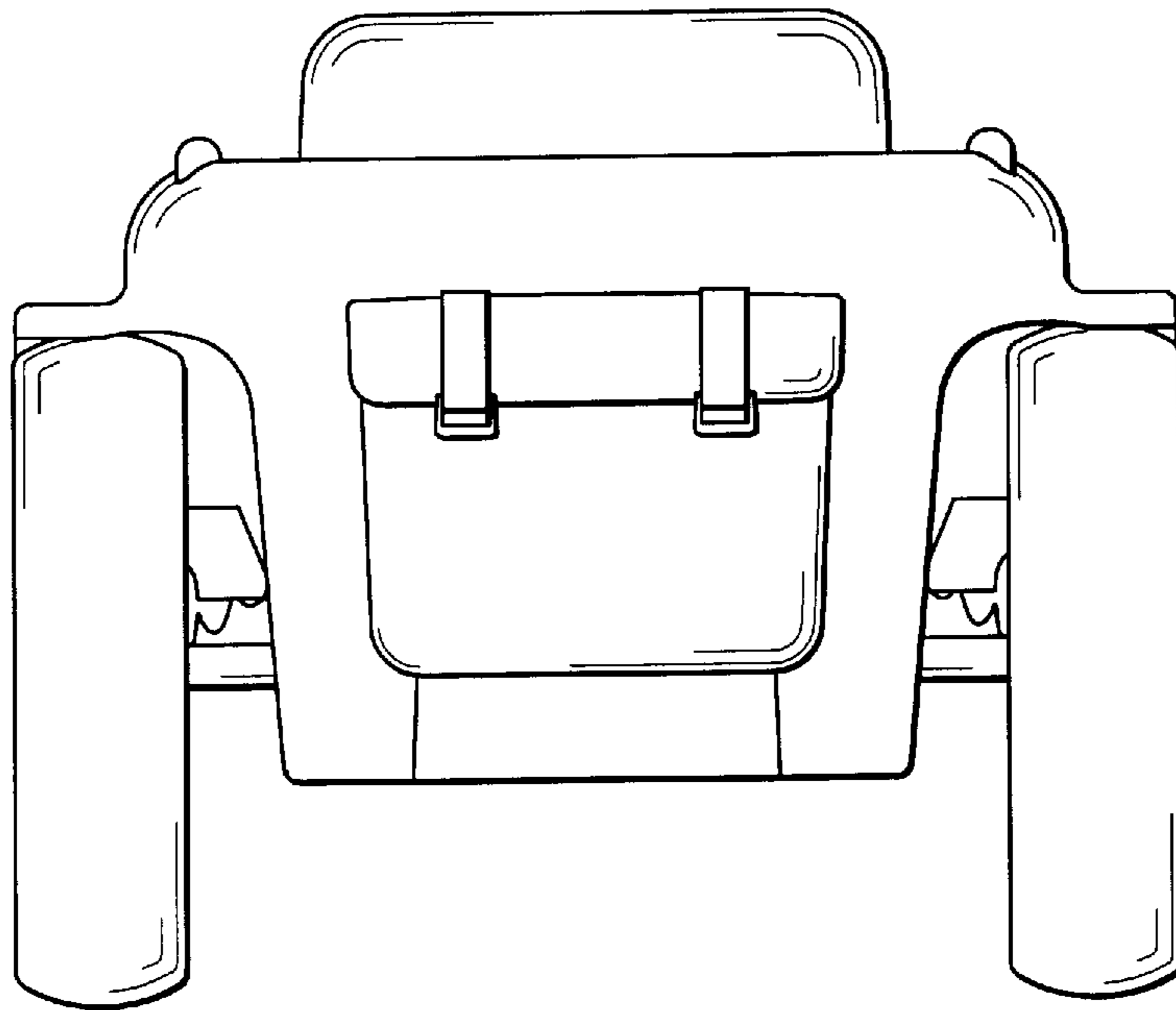


FIG. 4

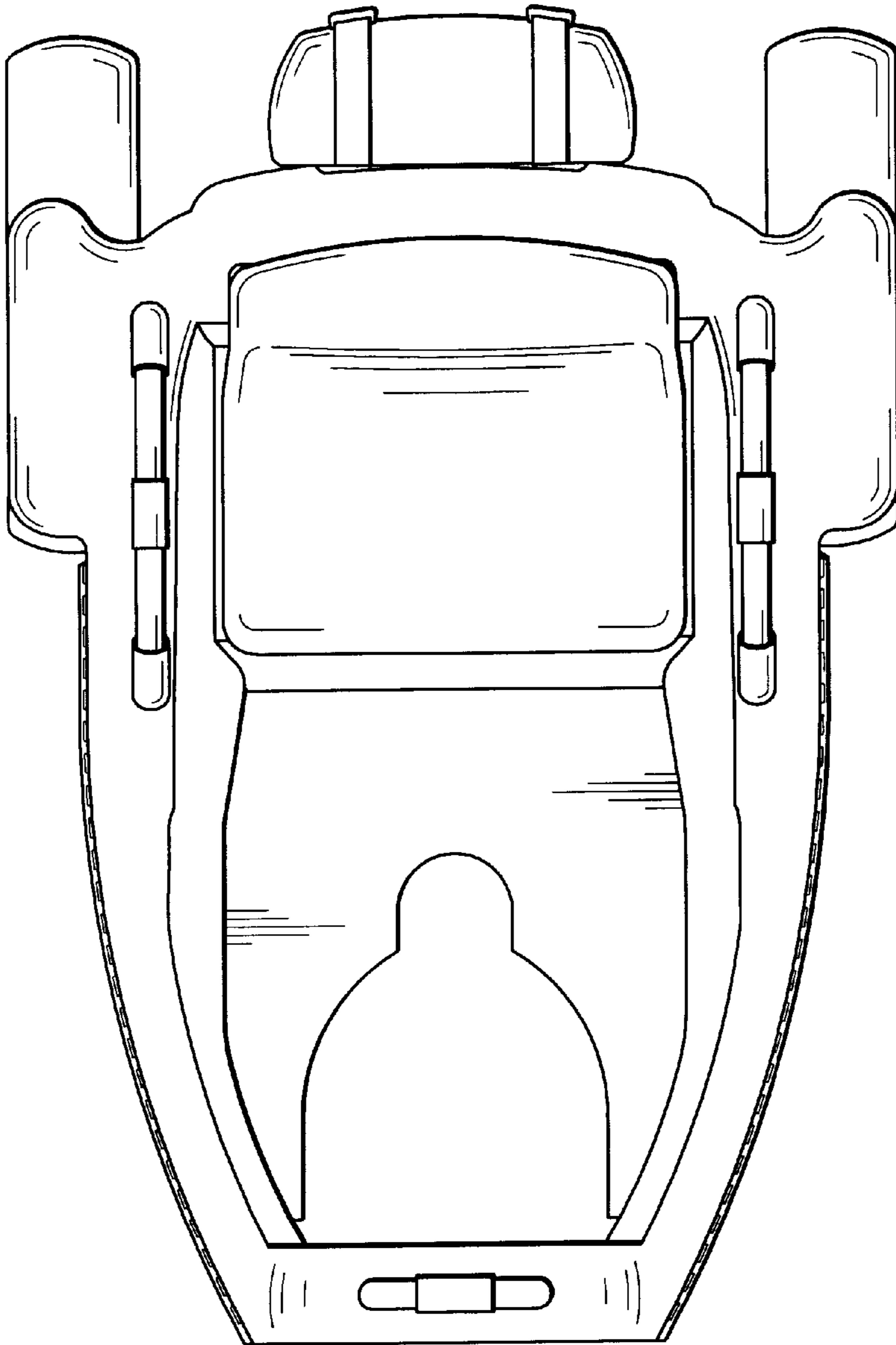


FIG. 5

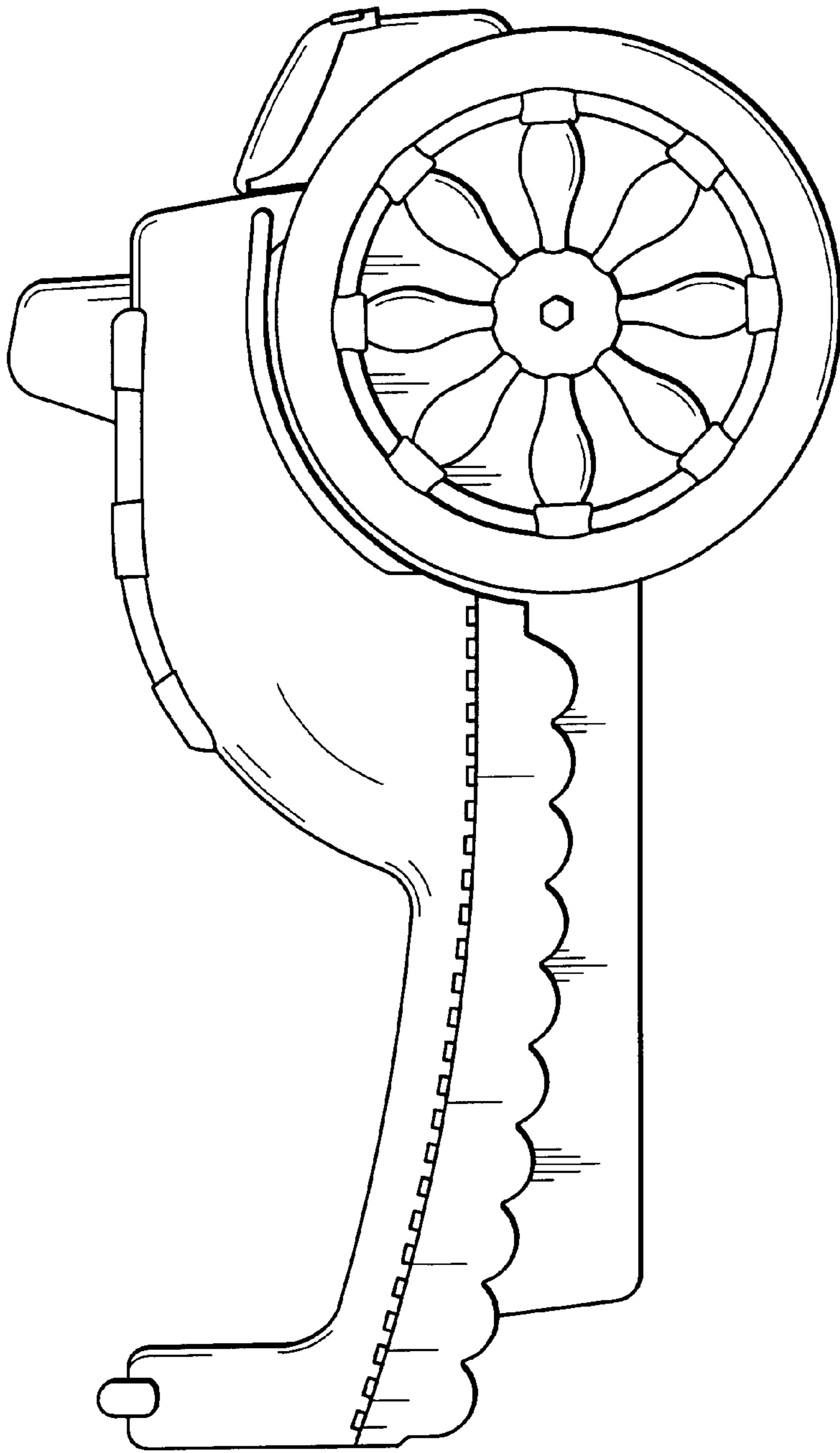


FIG. 6

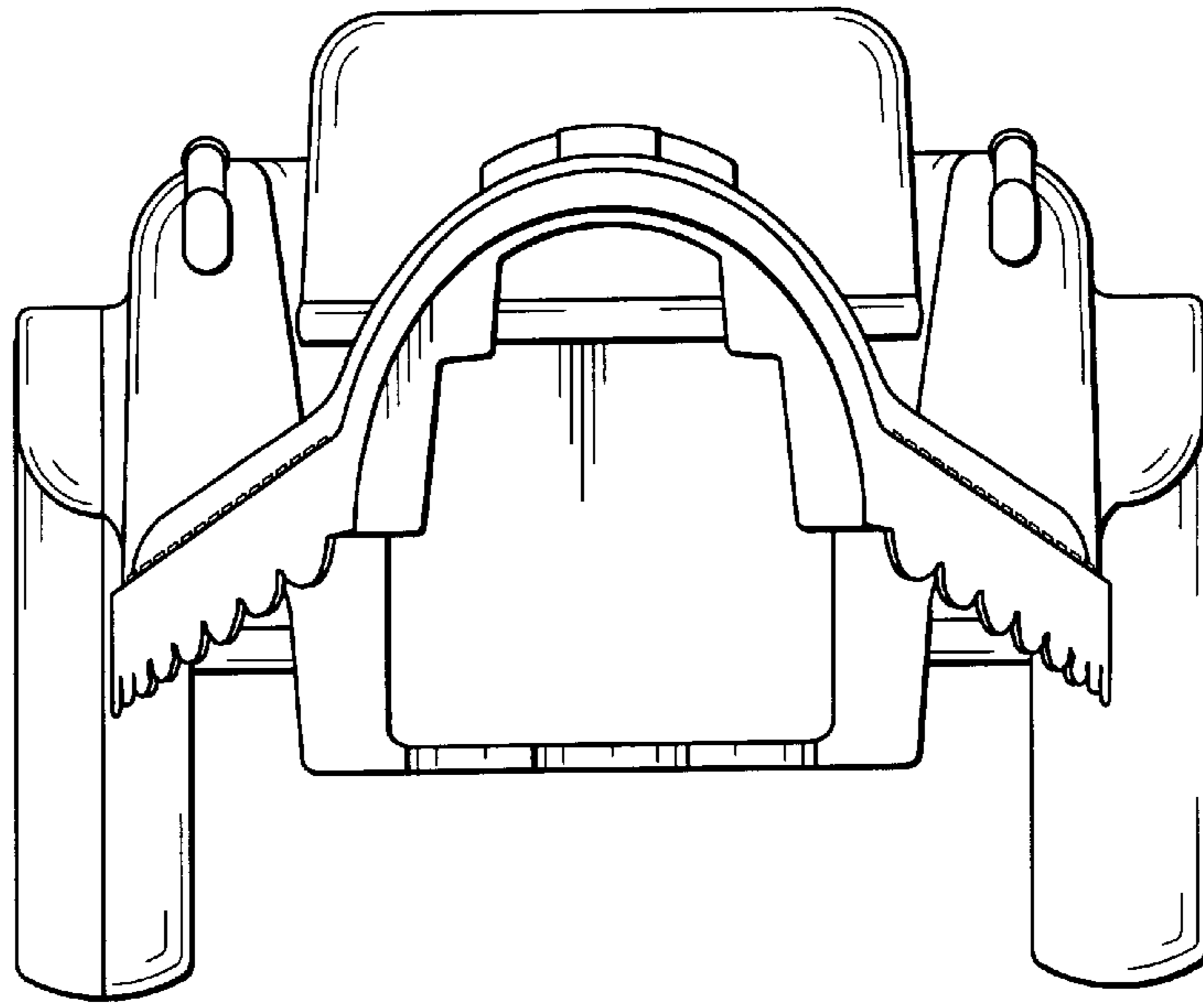


FIG. 7

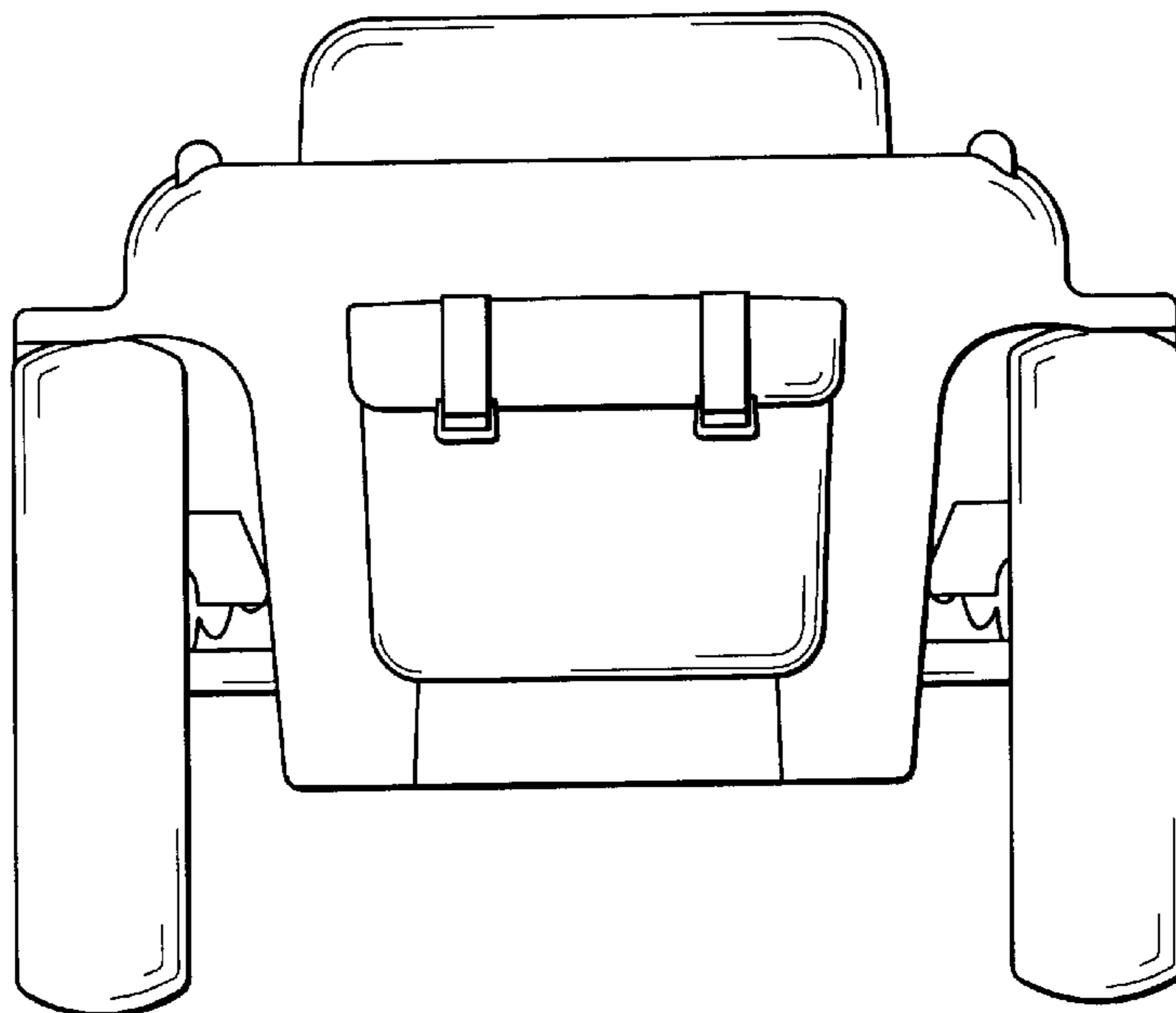


FIG. 8