



US00D437005S

(12) **United States Design Patent**  
**Huntsberger**

(10) **Patent No.:** **US D437,005 S**

(45) **Date of Patent:** **\*\* Jan. 30, 2001**

(54) **CHILDREN'S RIDE-ON VEHICLE**

4,741,544 \* 5/1988 Kassai ..... D21/428

(75) Inventor: **Kurt J. Huntsberger**, Chaffee, NY  
(US)

**OTHER PUBLICATIONS**

The Disney Catalog, p. 30, 1989.\*

(73) Assignee: **Mattel, Inc.**, El Segundo, CA (US)

\* cited by examiner

(\*\*) Term: **14 Years**

*Primary Examiner*—Raphael Barkai

(21) Appl. No.: **29/118,445**

(74) *Attorney, Agent, or Firm*—Kolisich, Hartwell,  
Dickinson, McCormack & Heuser

(22) Filed: **Feb. 7, 2000**

(57) **CLAIM**

(51) **LOC (7) Cl.** ..... **21-01**

The ornamental design for a children's ride-on vehicle, as shown and described.

(52) **U.S. Cl.** ..... **D21/424; D21/433**

(58) **Field of Search** ..... D21/419-435,  
D21/533, 548, 552, 554, 559; D12/16,  
87-88; 446/424, 425, 427, 433, 454, 456,  
457, 462, 465, 470; 280/87.01, 87.021,  
1.13, 828

**DESCRIPTION**

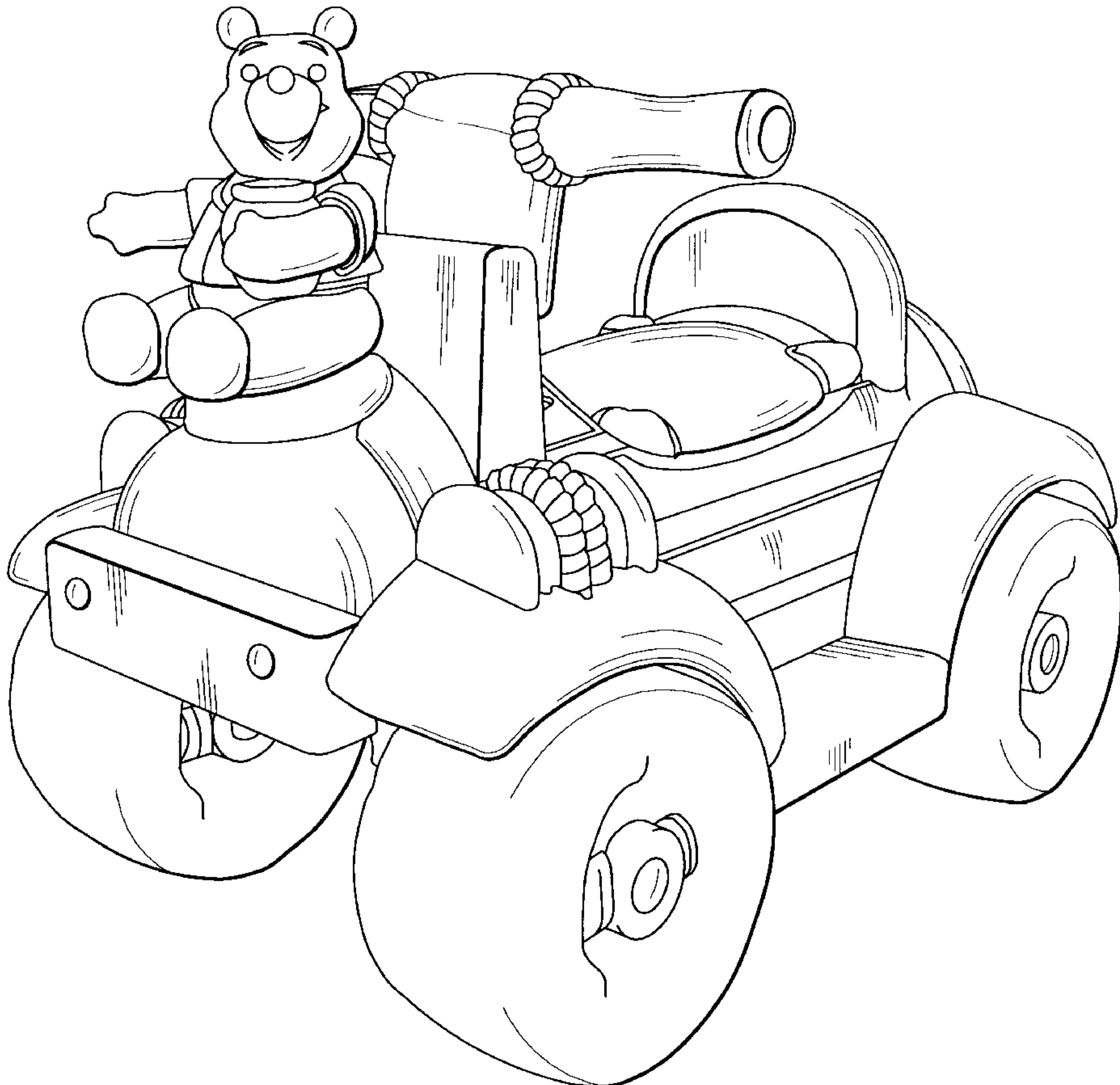
FIG. 1 is a front perspective view of a children's ride-on vehicle showing an embodiment of the claimed design.  
FIG. 2 a rear perspective view of the vehicle of FIG. 1.  
FIG. 3 is a left side elevation view of the vehicle of FIG. 1.  
FIG. 4 is a right side elevation view of the vehicle of FIG. 1.  
FIG. 5 is a top plan view of the vehicle of FIG. 1.  
FIG. 6 is a front elevation view of the vehicle of FIG. 1; and,  
FIG. 7 is a rear elevation view of the vehicle of FIG. 1.  
The bottom of the vehicle forms no part of the claimed design.

(56) **References Cited**

**U.S. PATENT DOCUMENTS**

D. 252,652	*	8/1979	Nakao et al.	.....	D21/428
D. 262,385	*	12/1981	Nakao et al.	.....	D21/428
D. 306,748	*	3/1990	Takahashi et al.	.....	D21/428
D. 379,407	*	5/1997	Liu	.....	D21/428
D. 423,603	*	4/2000	Tasy	.....	D21/424
D. 423,604	*	4/2000	Yeh	.....	D21/433

**1 Claim, 5 Drawing Sheets**



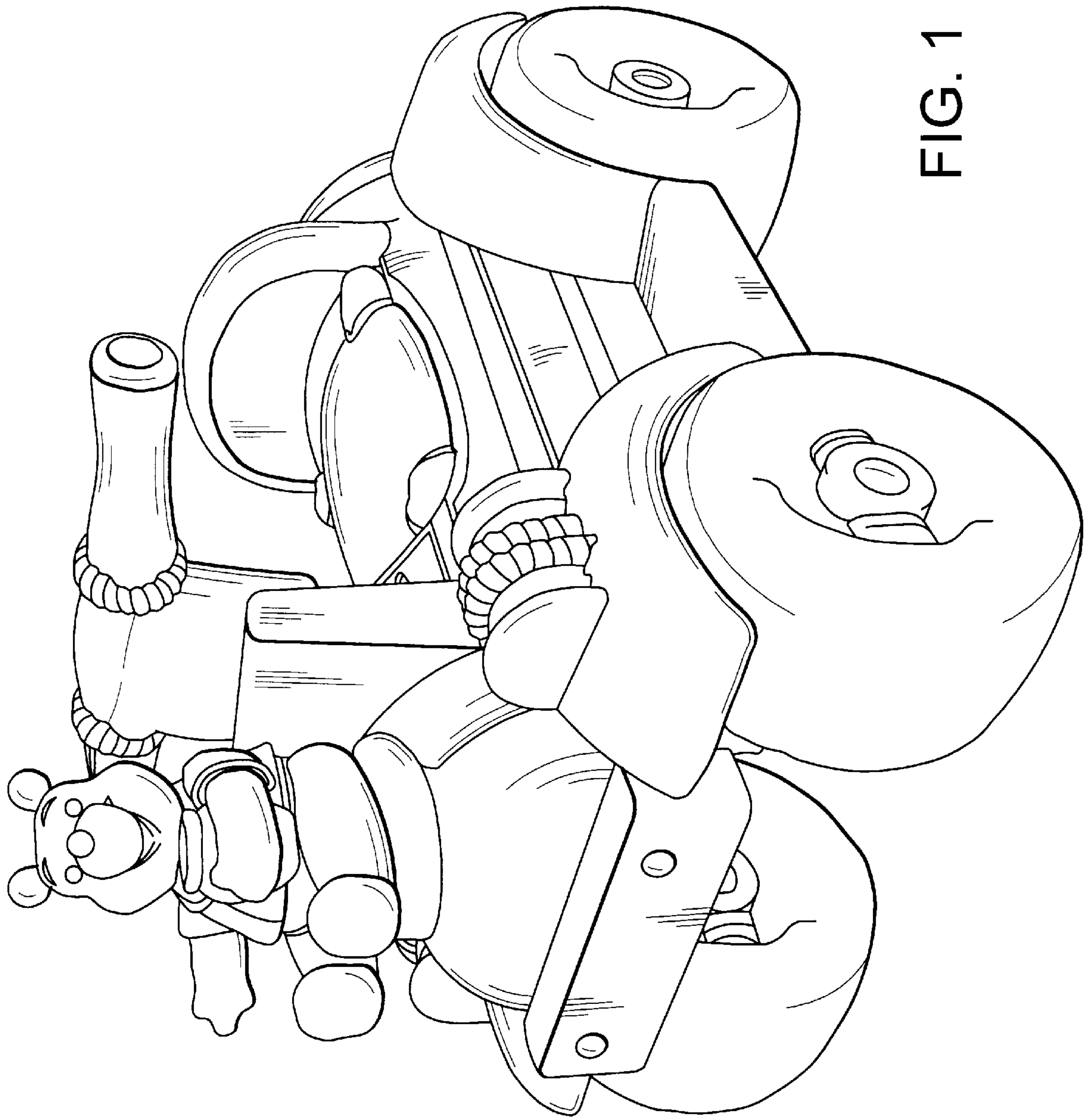


FIG. 1

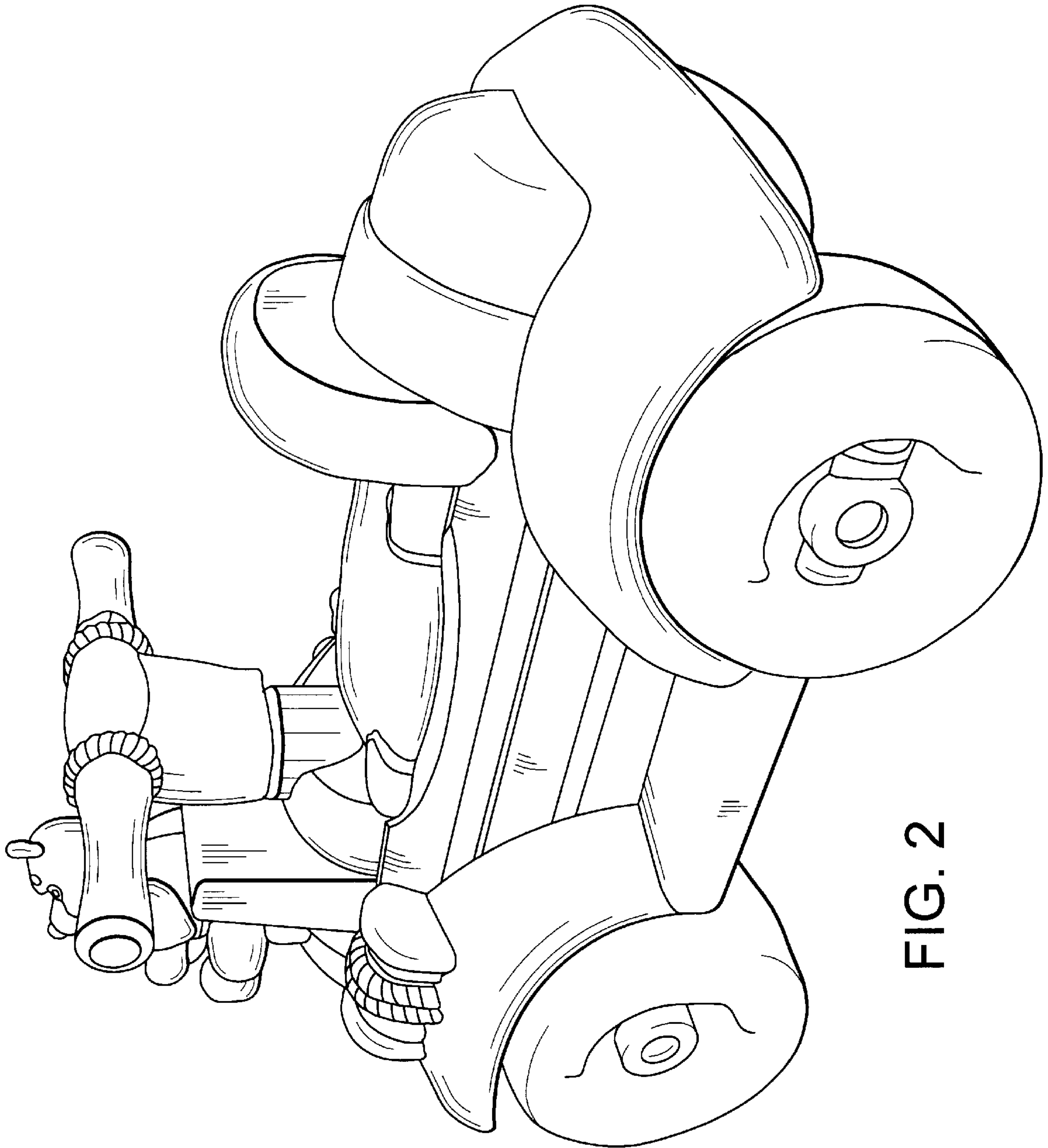


FIG. 2

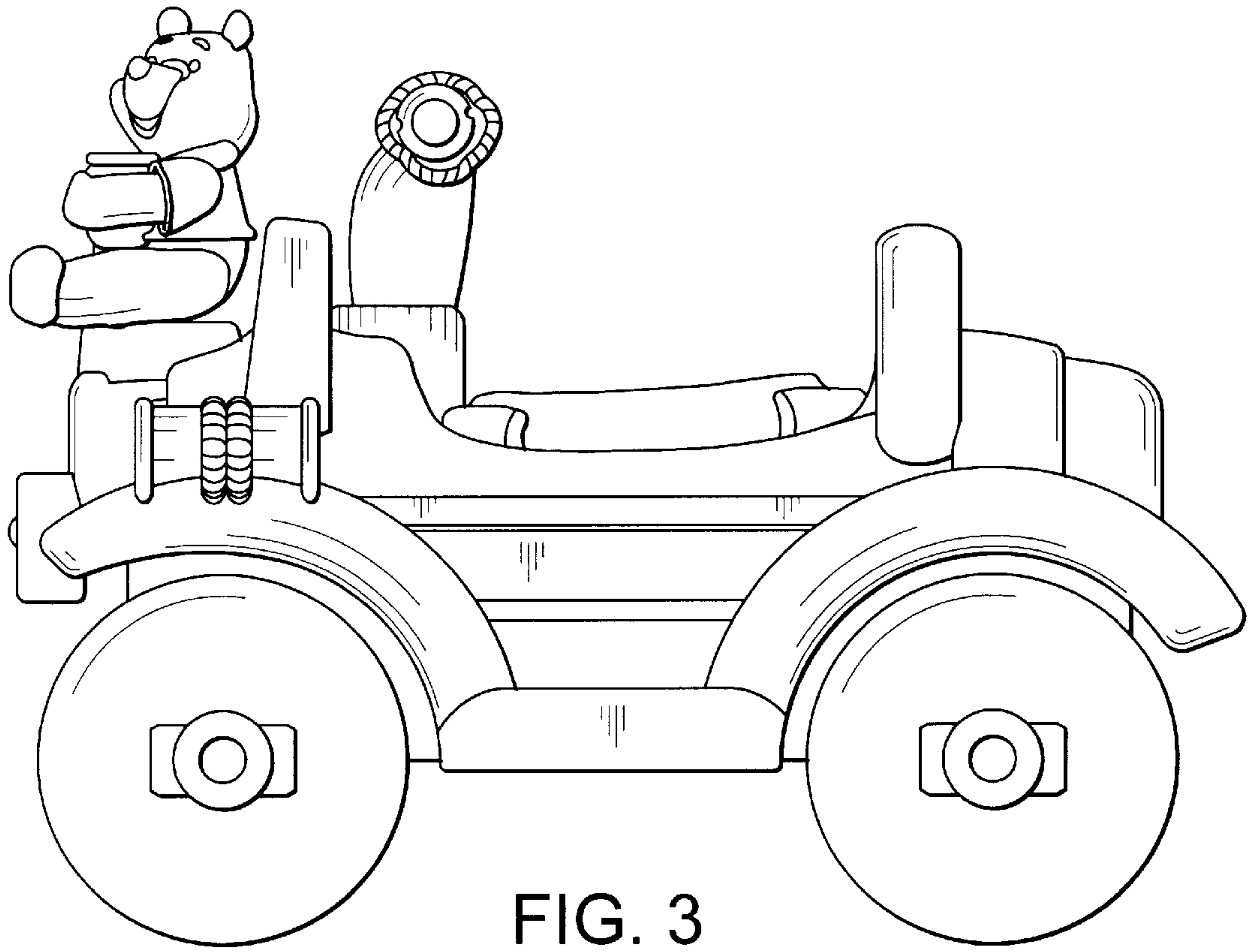


FIG. 3

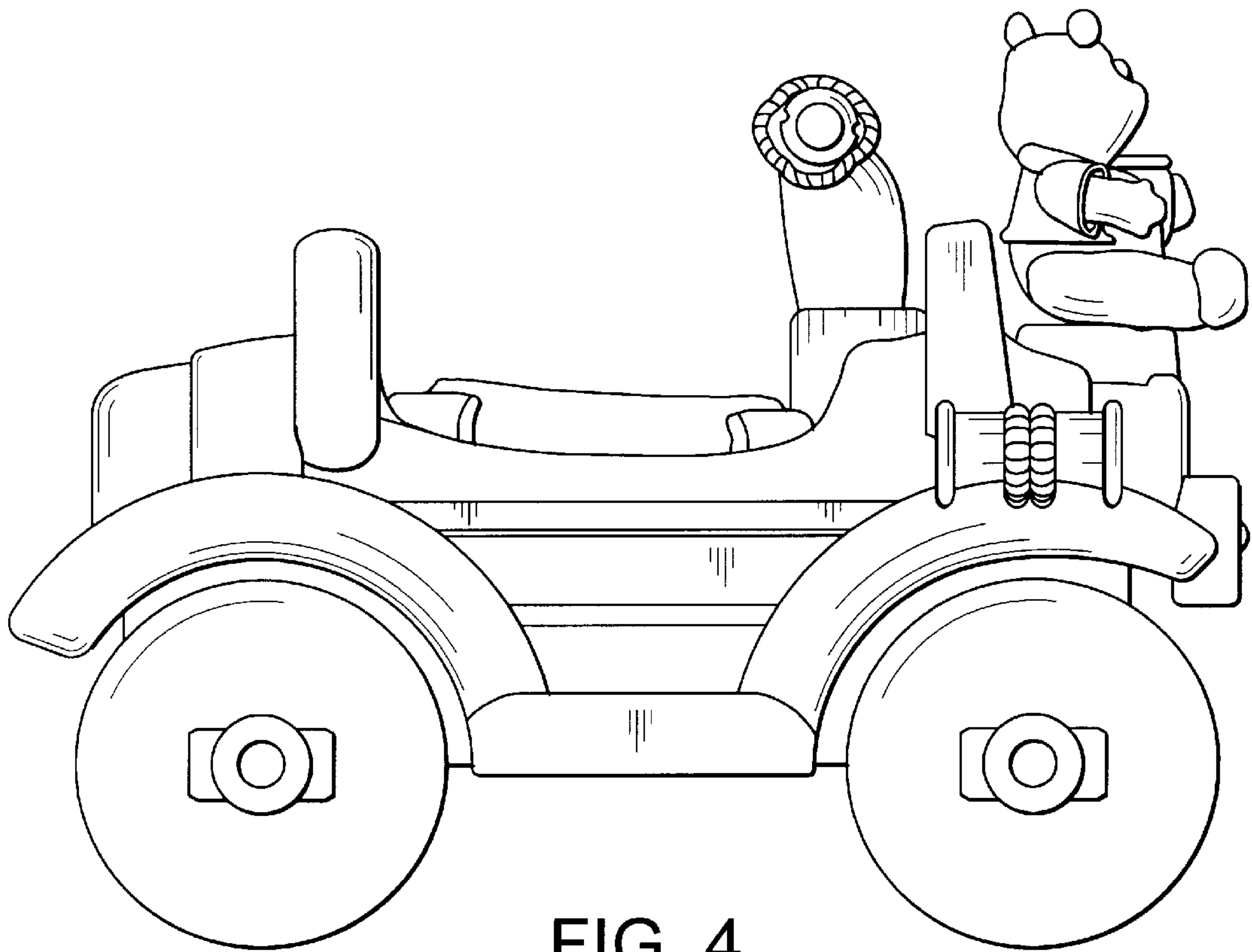


FIG. 4



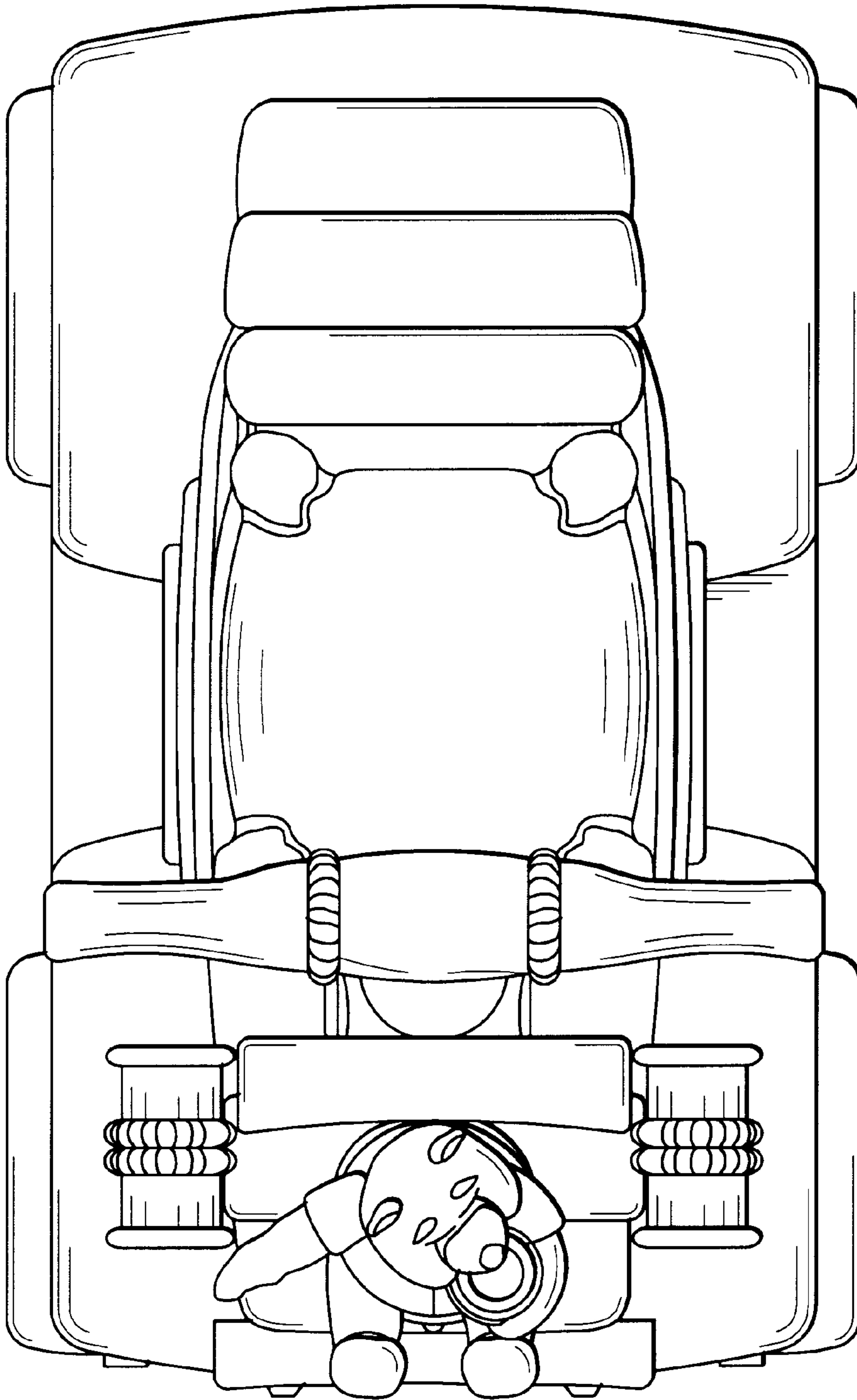


FIG. 5

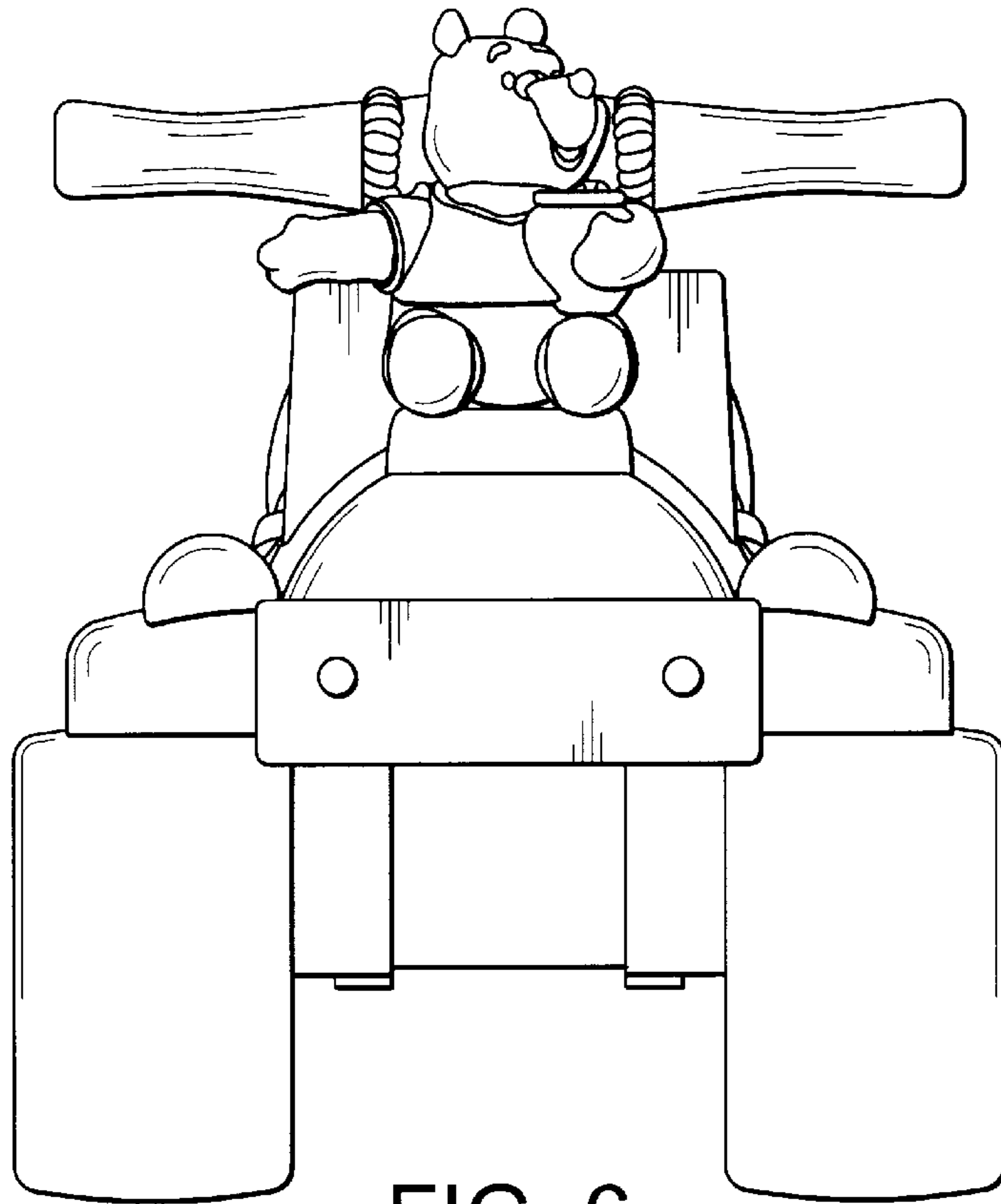


FIG. 6

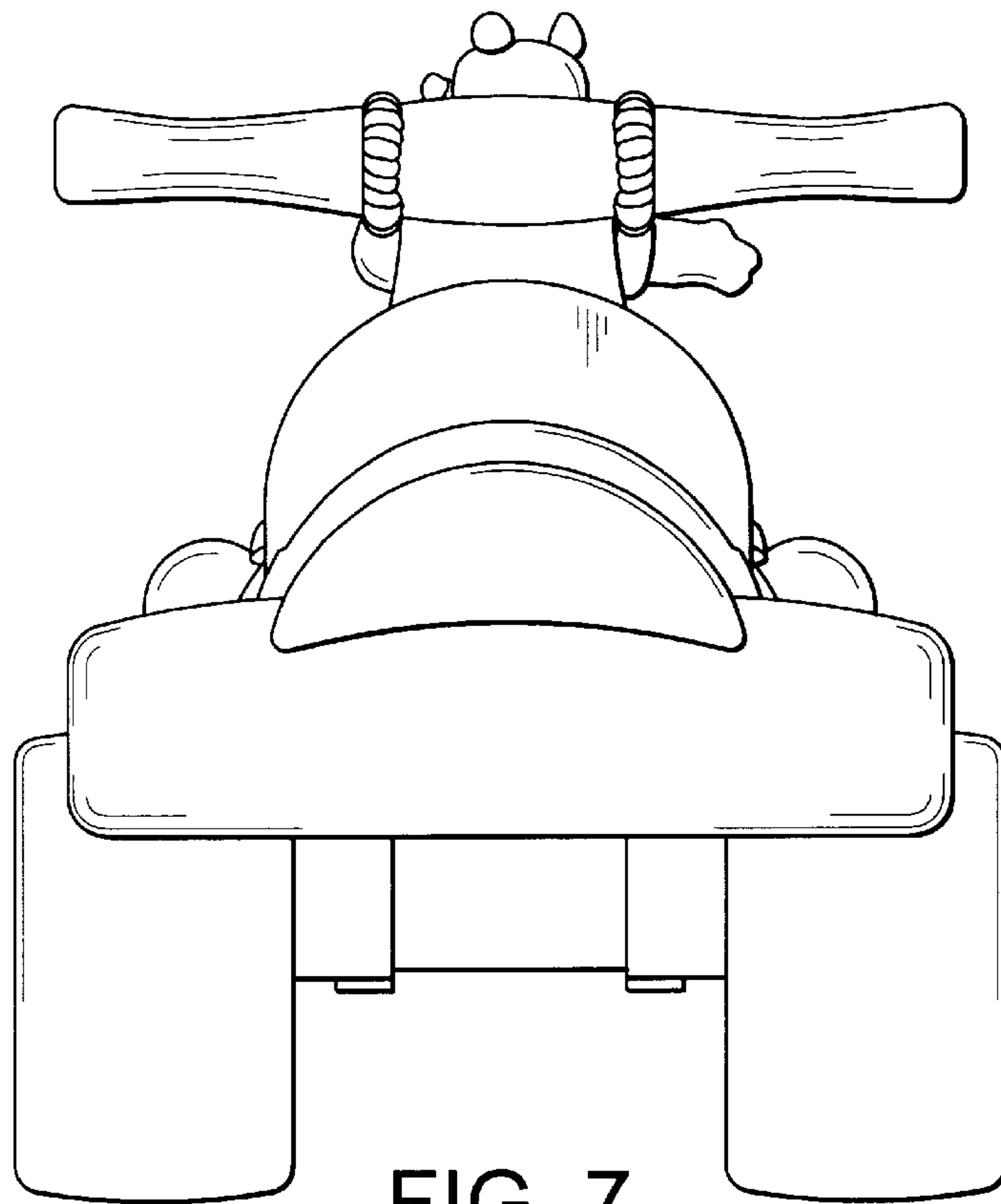


FIG. 7