



US00D437003S

(12) **United States Design Patent**
Campbell

(10) **Patent No.:** **US D437,003 S**

(45) **Date of Patent:** **** Jan. 30, 2001**

(54) **GAME BOARD**

(76) **Inventor:** **Robert Hugh Campbell**, Mail Box 43,
363 Sorauren Avenue, Toronto, Ontario
(CA), M6R 2G5

(**) **Term:** **14 Years**

(21) **Appl. No.:** **29/117,092**

(22) **Filed:** **Jan. 18, 2000**

(30) **Foreign Application Priority Data**

Nov. 17, 1999 (CA) 1999-2773

(51) **LOC (7) Cl.** **21-01**

(52) **U.S. Cl.** **D21/362; D21/348**

(58) **Field of Search** **D21/334-368;**
273/236-285

(56) **References Cited**

U.S. PATENT DOCUMENTS

- D. 233,055 * 10/1974 Keller D21/362
- D. 243,203 * 1/1977 Wilkins D21/348
- D. 294,043 * 2/1988 Haines D21/362

- D. 317,791 * 6/1991 Britton D21/349
- 1,674,791 * 6/1928 Patocka 273/243
- 4,895,375 * 1/1990 Blitz et al. 273/258
- 5,524,897 * 6/1996 Mastronunzio 273/264

* cited by examiner

Primary Examiner—Sandra L. Morris

(74) *Attorney, Agent, or Firm*—Riches, McKenzie & Herbert

(57) **CLAIM**

I claim the ornamental design for a game board, as shown.

DESCRIPTION

FIG. 1—is a front prospective view of a game board showing my new design;

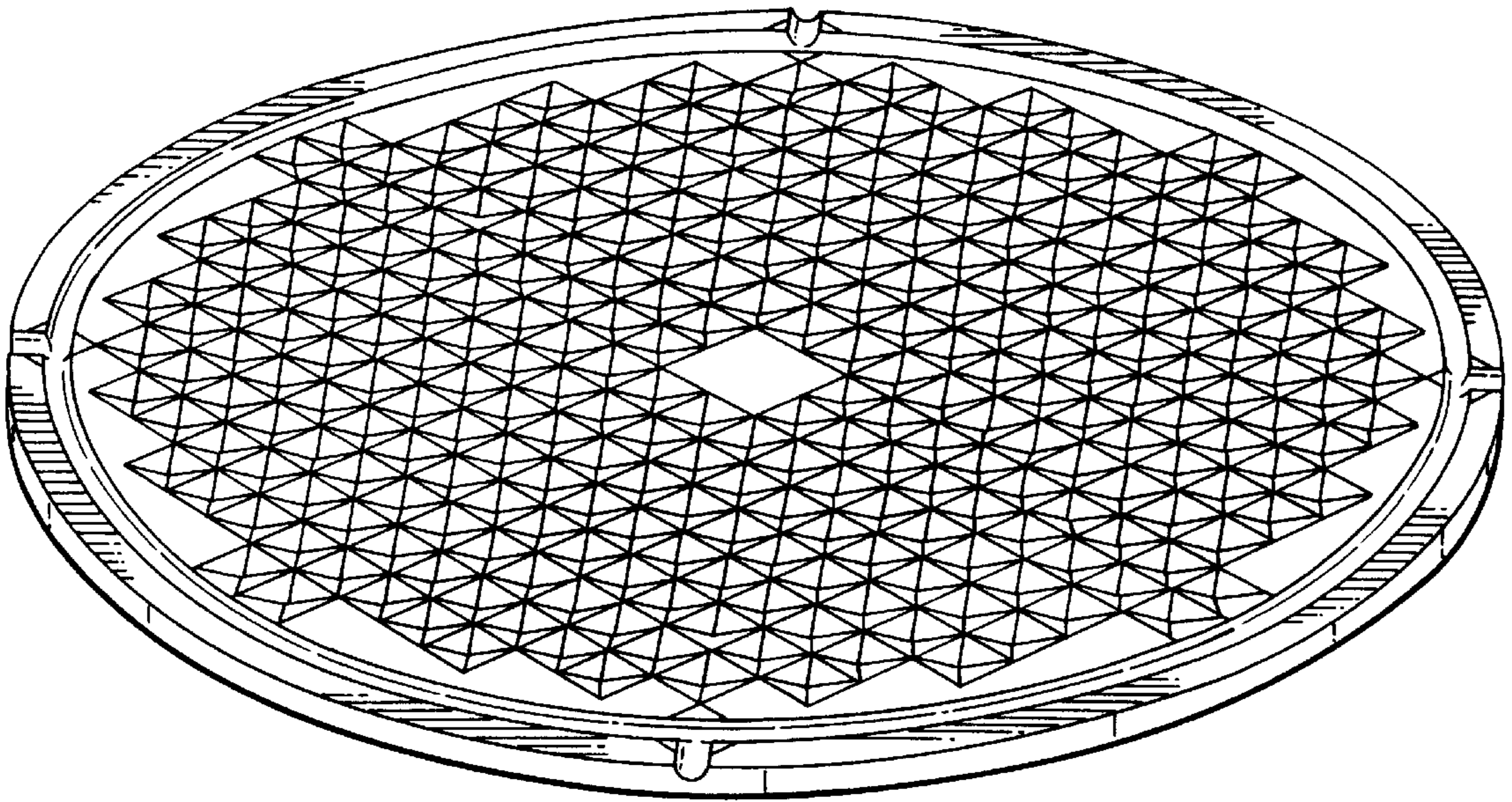
FIG. 2—is a top view thereof;

FIG. 3—is a side elevational view, the opposite side appearing identical;

FIG. 4—is a end elevational view, the opposite end appearing identical; and,

FIG. 5—is a bottom plan view thereof.

1 Claim, 3 Drawing Sheets



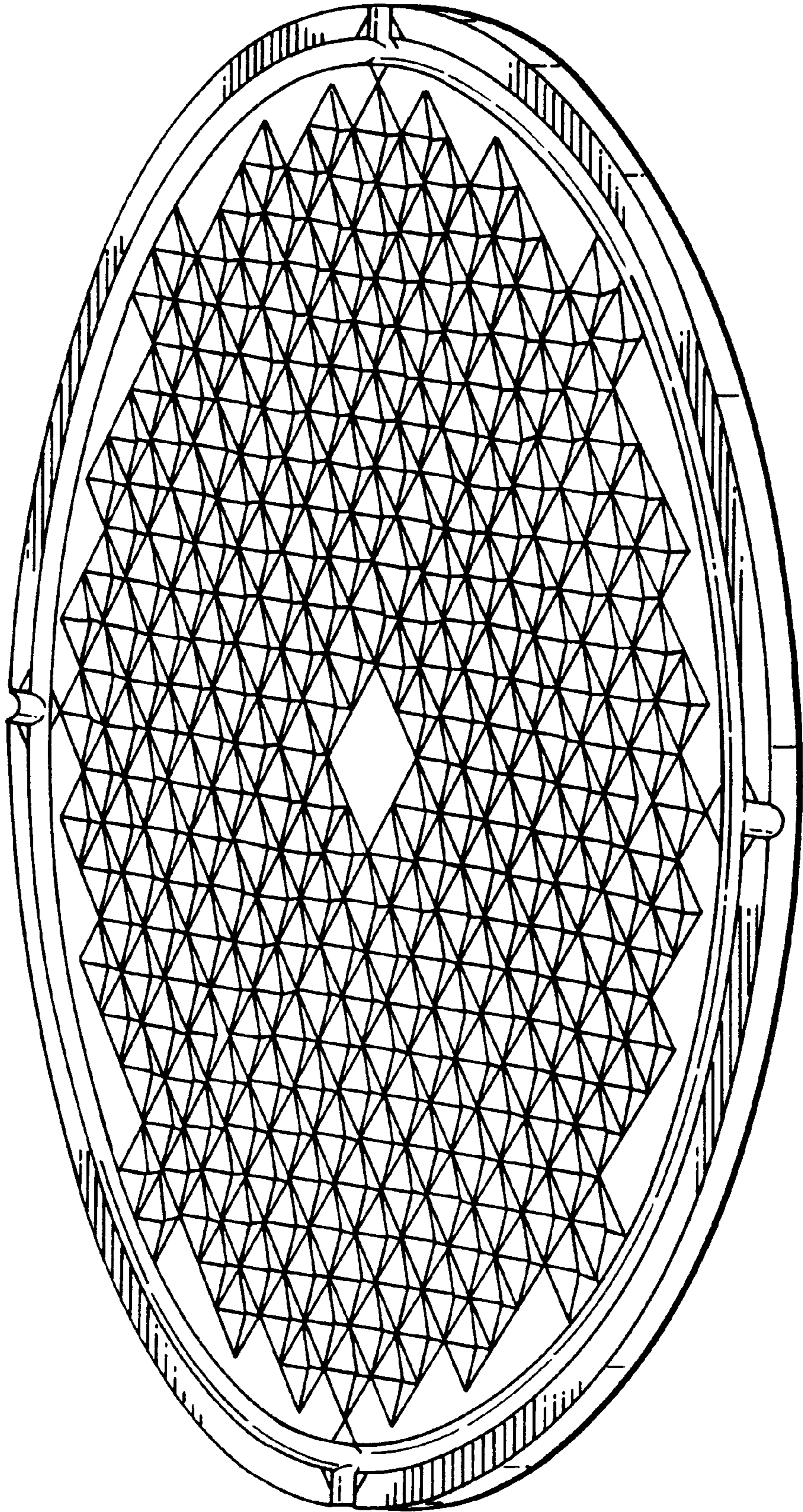


FIG. 1.

FIG. 2.

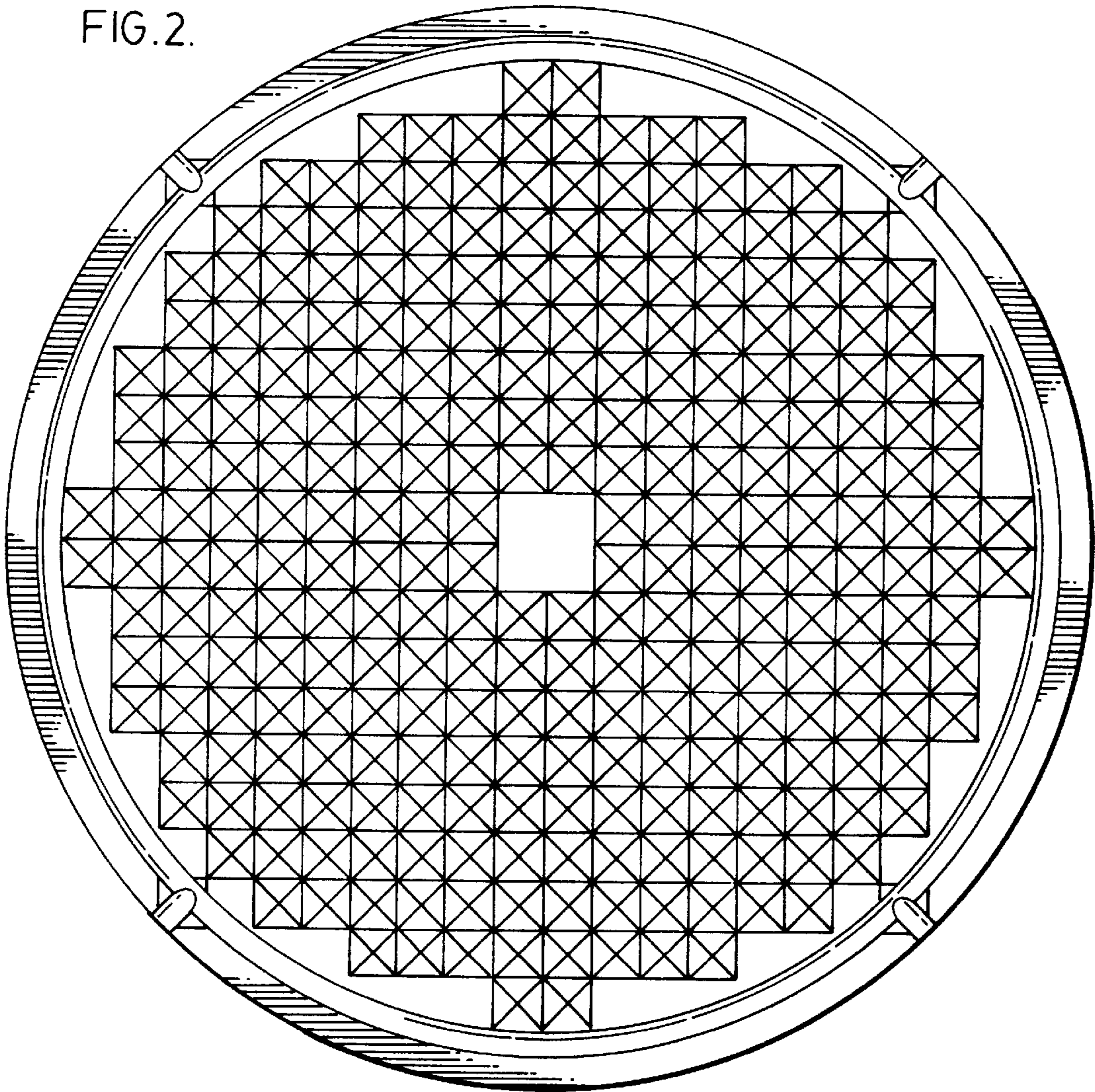


FIG. 3.

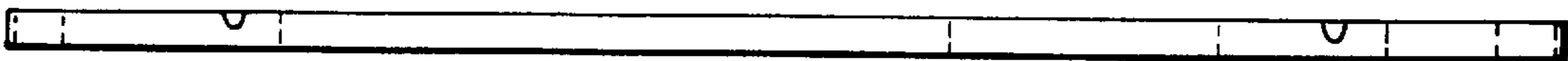


FIG. 4.



FIG. 5.

