



US00D436998S

(12) **United States Design Patent**
Brouwer et al.

(10) **Patent No.:** **US D436,998 S**

(45) **Date of Patent:** **** Jan. 30, 2001**

(54) **HOLDER FOR A FOUNTAIN PEN AND INK CARTRIDGES**

D. 214,105 * 5/1969 Cline D19/36
D. 311,027 * 10/1990 Yuen D19/73

(76) Inventors: **Markus Franciscus Brouwer**,
Krabbenhoek 13, 5384 MS Heesch;
Eelco Han De Man, Ridderstraat 14,
5704 VP Helmond, both of (NL)

* cited by examiner

Primary Examiner—Martie K. Holtje
(74) *Attorney, Agent, or Firm*—Hill & Simpson

(**) Term: **14 Years**

(57) **CLAIM**

(21) Appl. No.: **29/108,583**

The ornamental design for a holder for a fountain pen and ink cartridges, as shown and described.

(22) Filed: **Jul. 28, 1999**

DESCRIPTION

(30) **Foreign Application Priority Data**

Jan. 28, 1999 (CH) 125883

(51) **LOC (7) Cl.** **19-06**

(52) **U.S. Cl.** **D19/84; D19/93; D19/95;**
D19/77

(58) **Field of Search** D19/35, 36, 73,
D19/77, 81-85, 93, 95, 96, 99, 100; 206/214,
224, 371; 211/69, 69.1-69.9, 70.6; 401/195,
52, 119

FIG. 1 is a perspective view taken from the top front end of the holder for a fountain pen and ink cartridges according to the present invention;
FIG. 2 is a perspective view taken from the top and rear of the holder according to the present invention;
FIG. 3 is a rear elevational view of the holder according to the present invention;
FIG. 4 is a elevational view of the right side of the holder of FIG. 3;
FIG. 5 is an elevational view of the front of the holder of FIG. 1;
FIG. 6 is an elevational view of the right side of the holder of FIG. 5;
FIG. 7 is a bottom plan view of the holder of FIG. 1; and, FIG. 8 is a top plan view of the holder of FIG. 1.

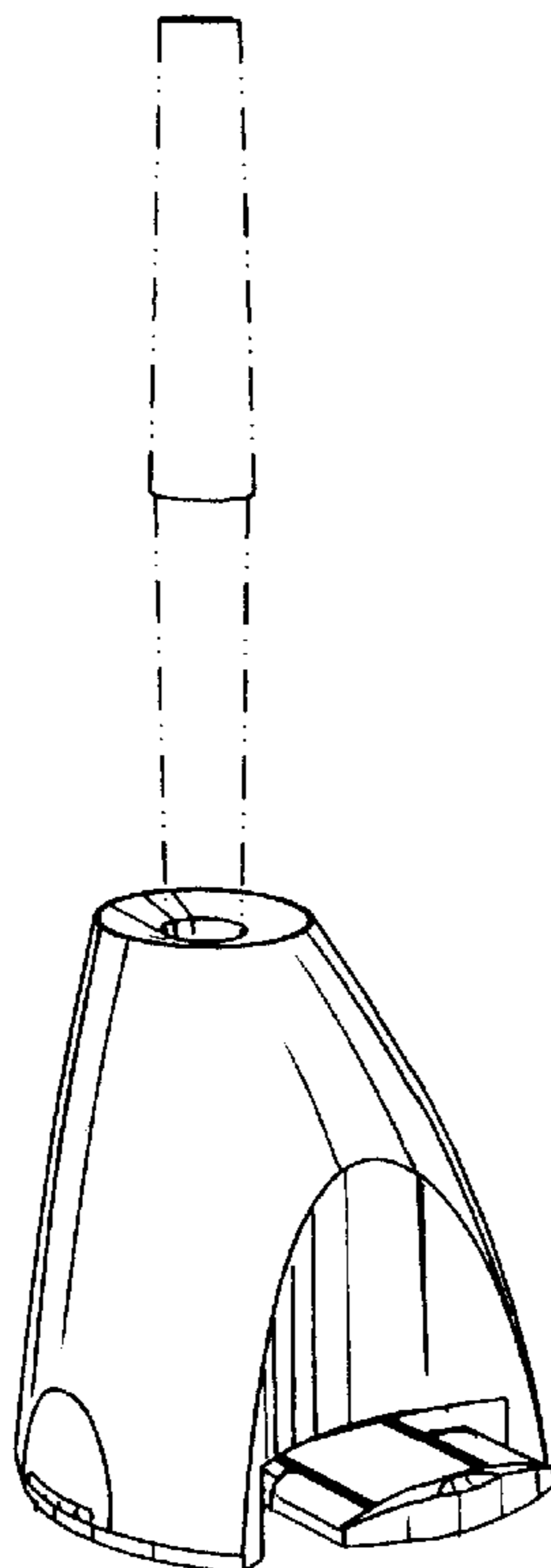
(56) **References Cited**

U.S. PATENT DOCUMENTS

- D. 021,500 * 4/1892 Cherry D19/93 X
- D. 038,186 * 8/1906 Numan D19/93
- D. 76,357 * 9/1928 Shoemaker D19/93
- 115,041 * 5/1871 Duncan 211/69.1
- 128,163 * 6/1872 Morgan 211/69.1
- D. 156,091 * 11/1949 Gardiner D19/93 X

The fountain pen depicted by means of broken lines in FIGS. 1 through 6 has been shown for illustrative purposes only and forms no part of the claimed design.

1 Claim, 1 Drawing Sheet



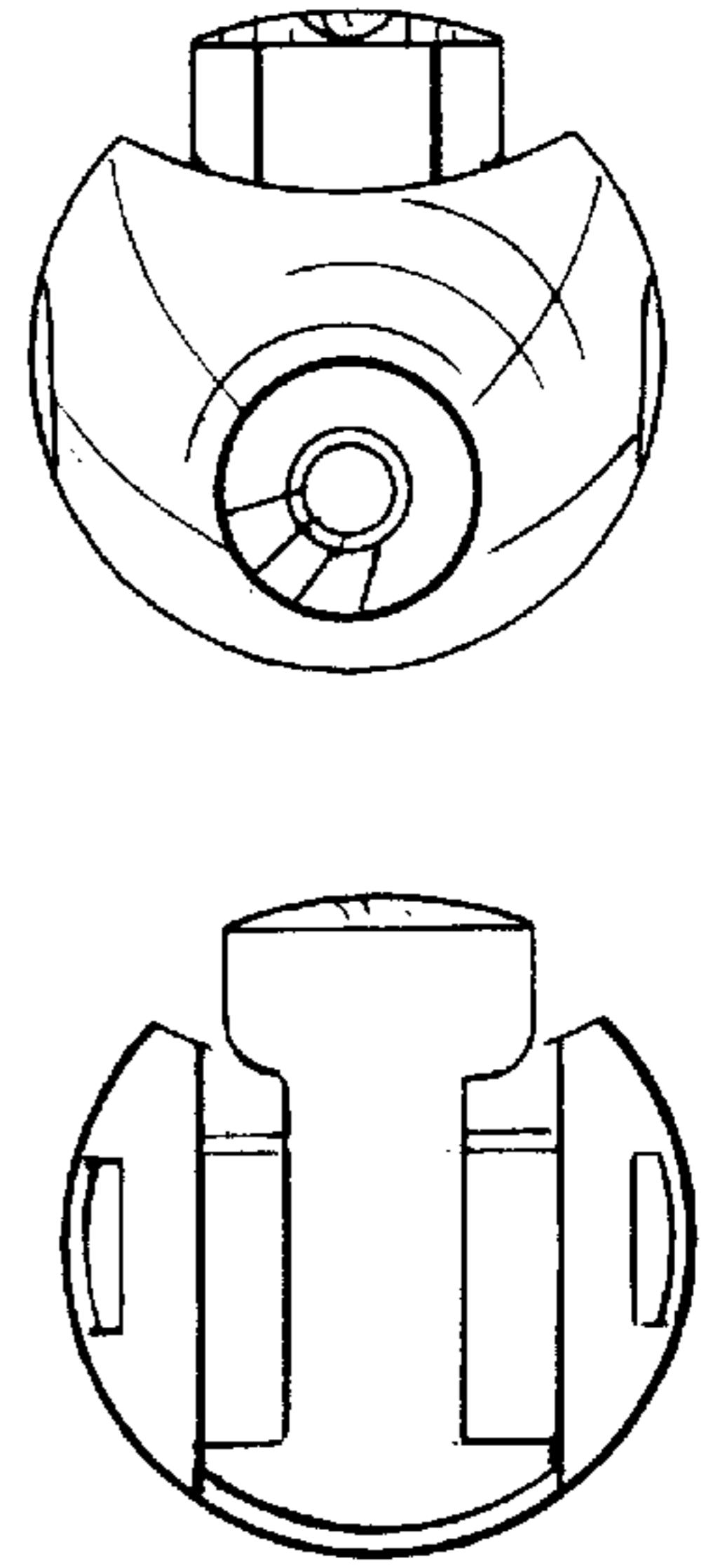
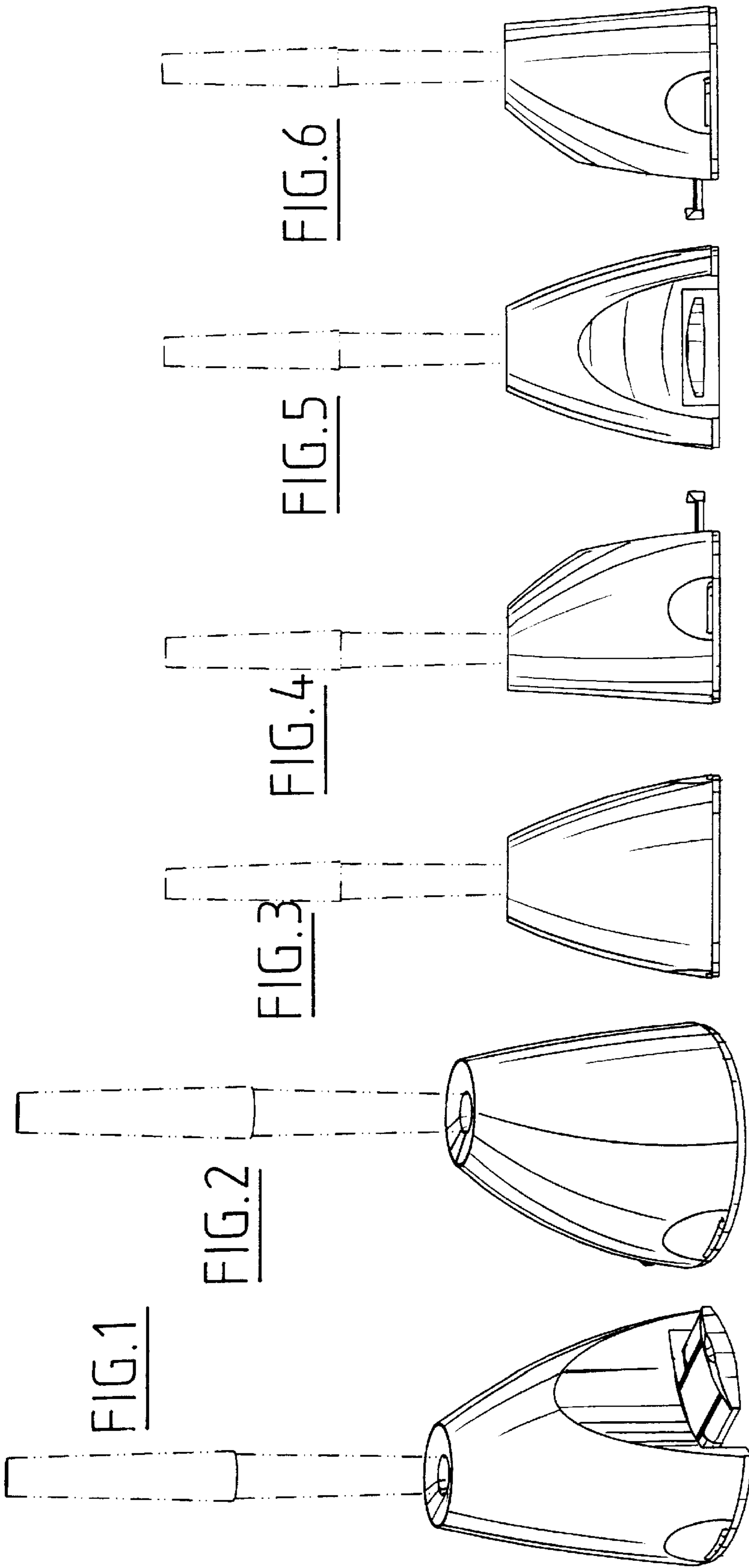


FIG. 2

FIG. 1

FIG. 3

FIG. 4

FIG. 5

FIG. 6

FIG. 7

FIG. 8