



US00D436990S

(12) **United States Design Patent**  
**Kotaki et al.**

(10) **Patent No.:** **US D436,990 S**

(45) **Date of Patent:** **\*\* Jan. 30, 2001**

(54) **INK TANK FOR INK JET PRINTER**

(75) Inventors: **Yasuo Kotaki**, Yokohama; **Masashi Ogawa**, Kawasaki; **Shigeyuki Nakayama**, Tokyo; **Tsutomu Abe**, Isehara, all of (JP)

(73) Assignee: **Canon Kabushiki Kaisha**, Tokyo (JP)

(\*\*) Term: **14 Years**

(21) Appl. No.: **29/119,151**

(22) Filed: **Feb. 25, 2000**

(30) **Foreign Application Priority Data**

Aug. 27, 1999 (JP) ..... 11-23006

(51) **LOC (7) Cl.** ..... **18-02**

(52) **U.S. Cl.** ..... **D18/56; 347/86**

(58) **Field of Search** ..... **D18/56, 40, 43; 347/86, 87**

(56) **References Cited**

**U.S. PATENT DOCUMENTS**

- D. 367,884 \* 3/1996 Taneya et al. .... D18/56
- D. 372,045 \* 7/1996 Tokuda et al. .... D18/56
- D. 378,599 \* 3/1997 Tashiro et al. .... D18/56

- D. 378,832 \* 4/1997 Tashiro et al. .... D18/56
- D. 382,586 \* 8/1997 Tashiro et al. .... D18/56
- D. 401,620 \* 11/1998 Nozawa et al. .... D18/56
- D. 401,621 \* 11/1998 Shimizu et al. .... D18/56
- 5,619,237 \* 4/1997 Inoue et al. .... 347/86
- 5,831,652 \* 11/1998 Hinami et al. .... 347/86

\* cited by examiner

*Primary Examiner*—Cathy Anne MacCormac

(74) *Attorney, Agent, or Firm*—Fitzpatrick, Cella, Harper & Scinto

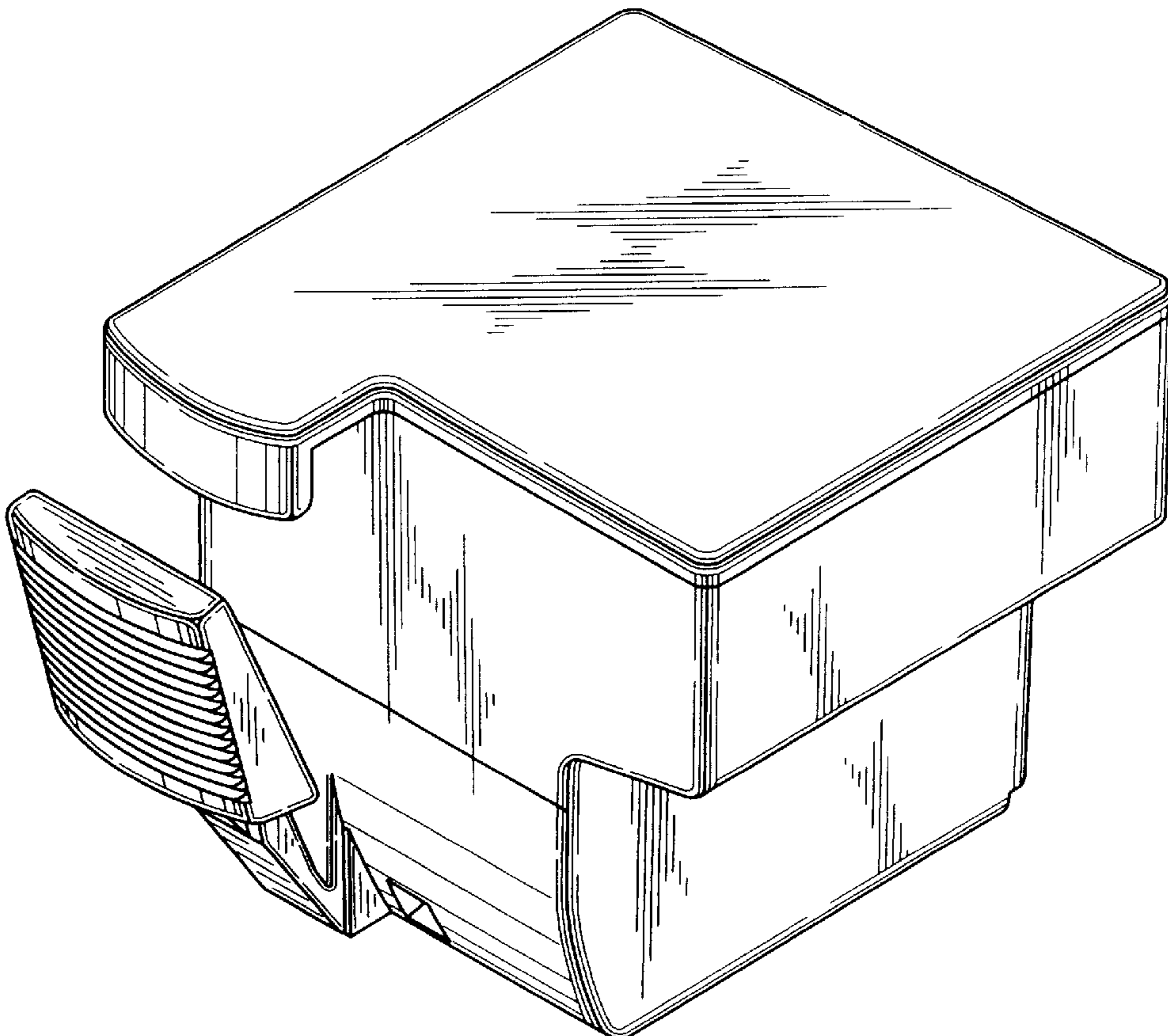
(57) **CLAIM**

The ornamental design for an ink tank for ink jet printer, as shown and described.

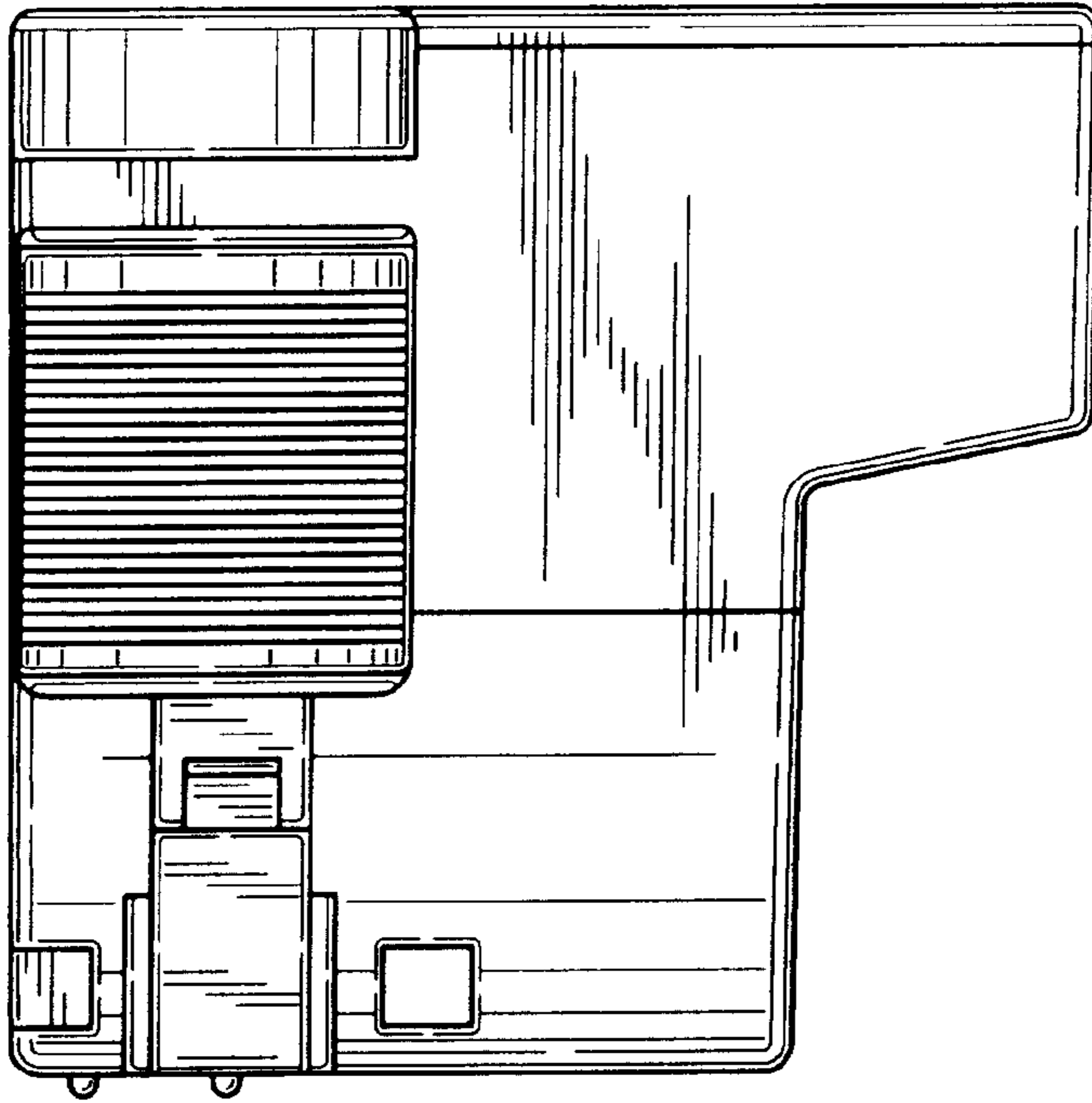
**DESCRIPTION**

FIG. 1 is a front view of an ink tank for ink jet printer showing our new design;  
 FIG. 2 is a rear view thereof;  
 FIG. 3 is a top plan view thereof;  
 FIG. 4 is a bottom plan view thereof;  
 FIG. 5 is a left side view thereof;  
 FIG. 6 is a right side view thereof; and,  
 FIG. 7 is a perspective view thereof.

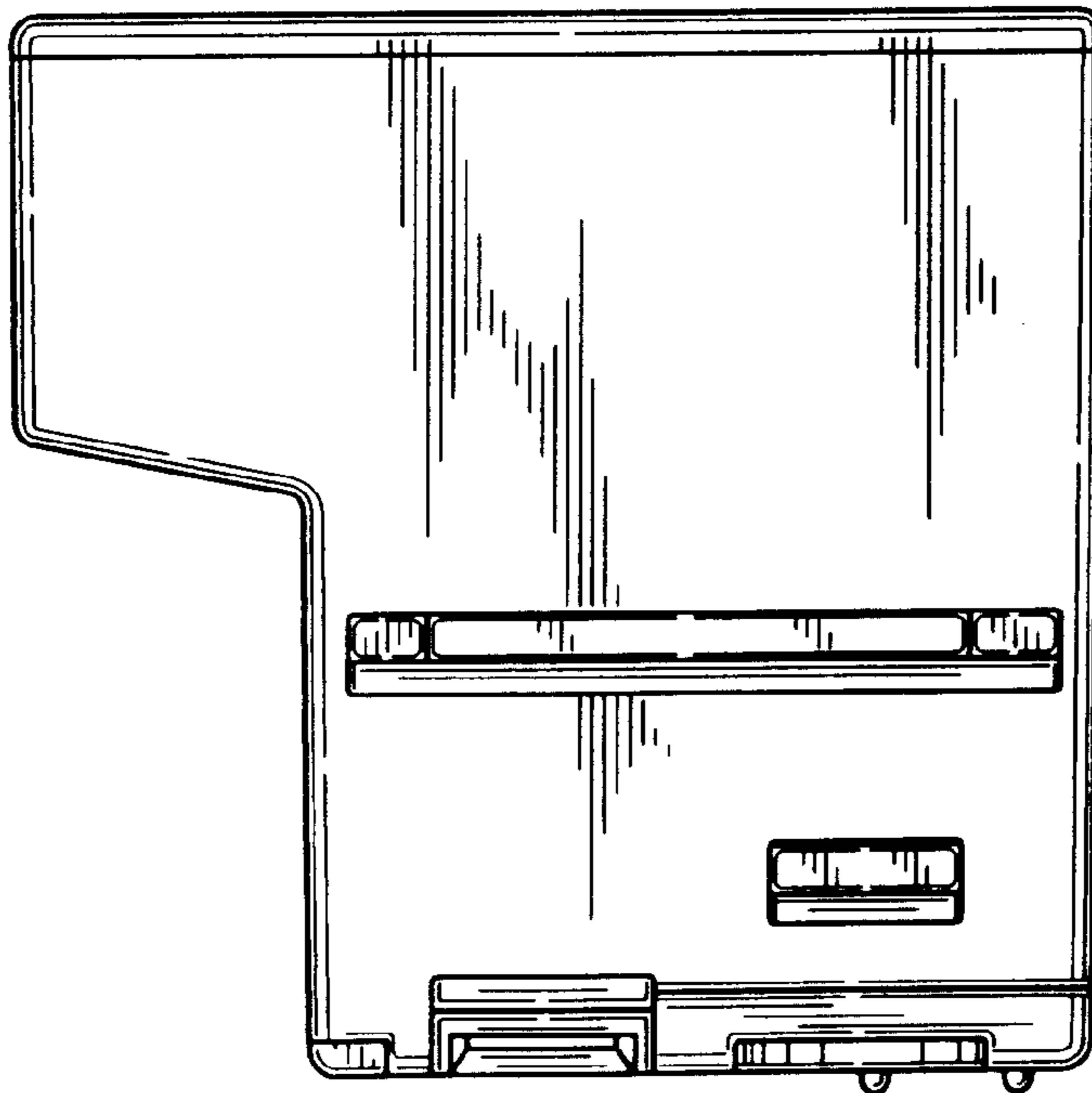
**1 Claim, 4 Drawing Sheets**



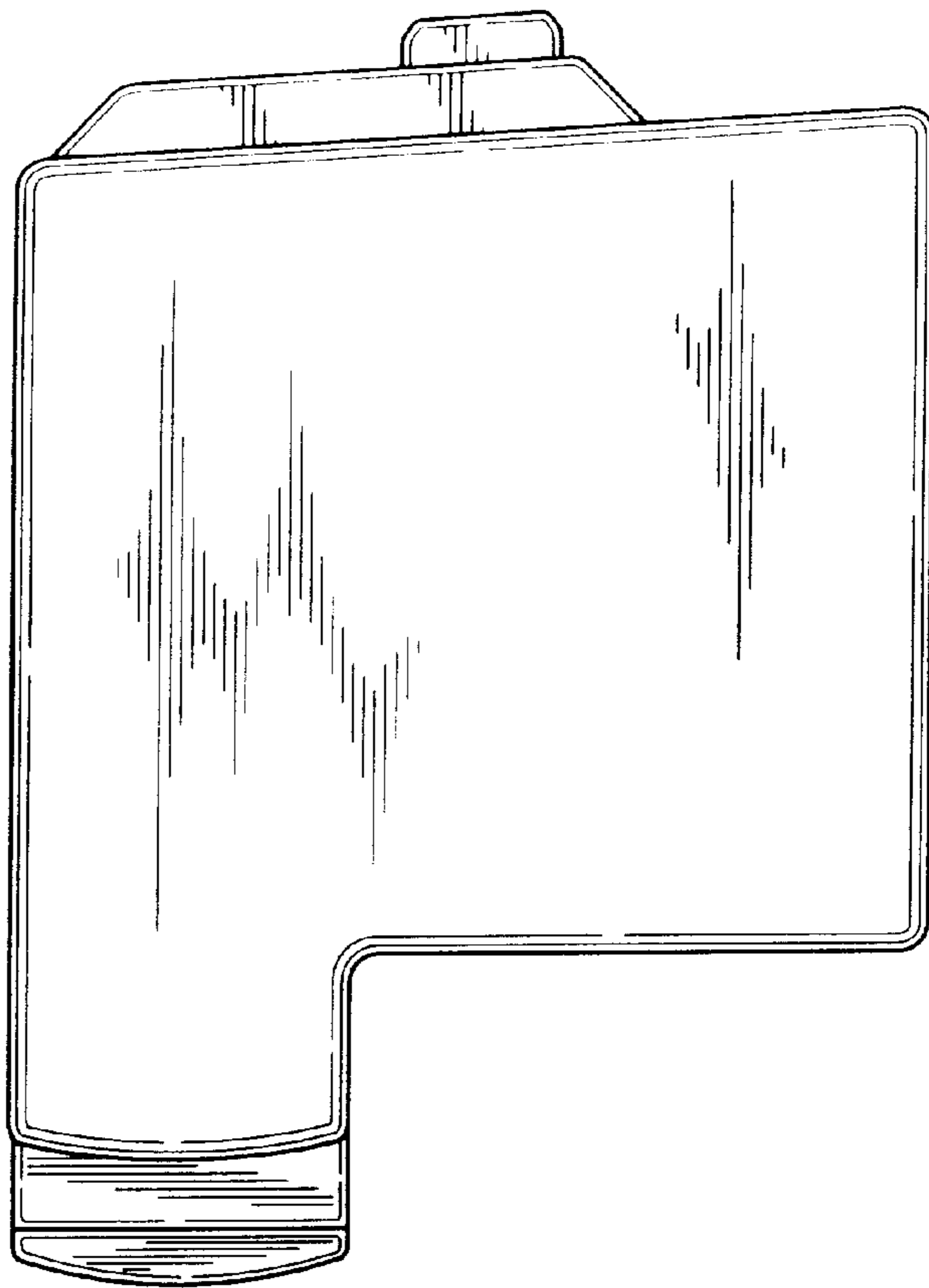
*FIG. 1*



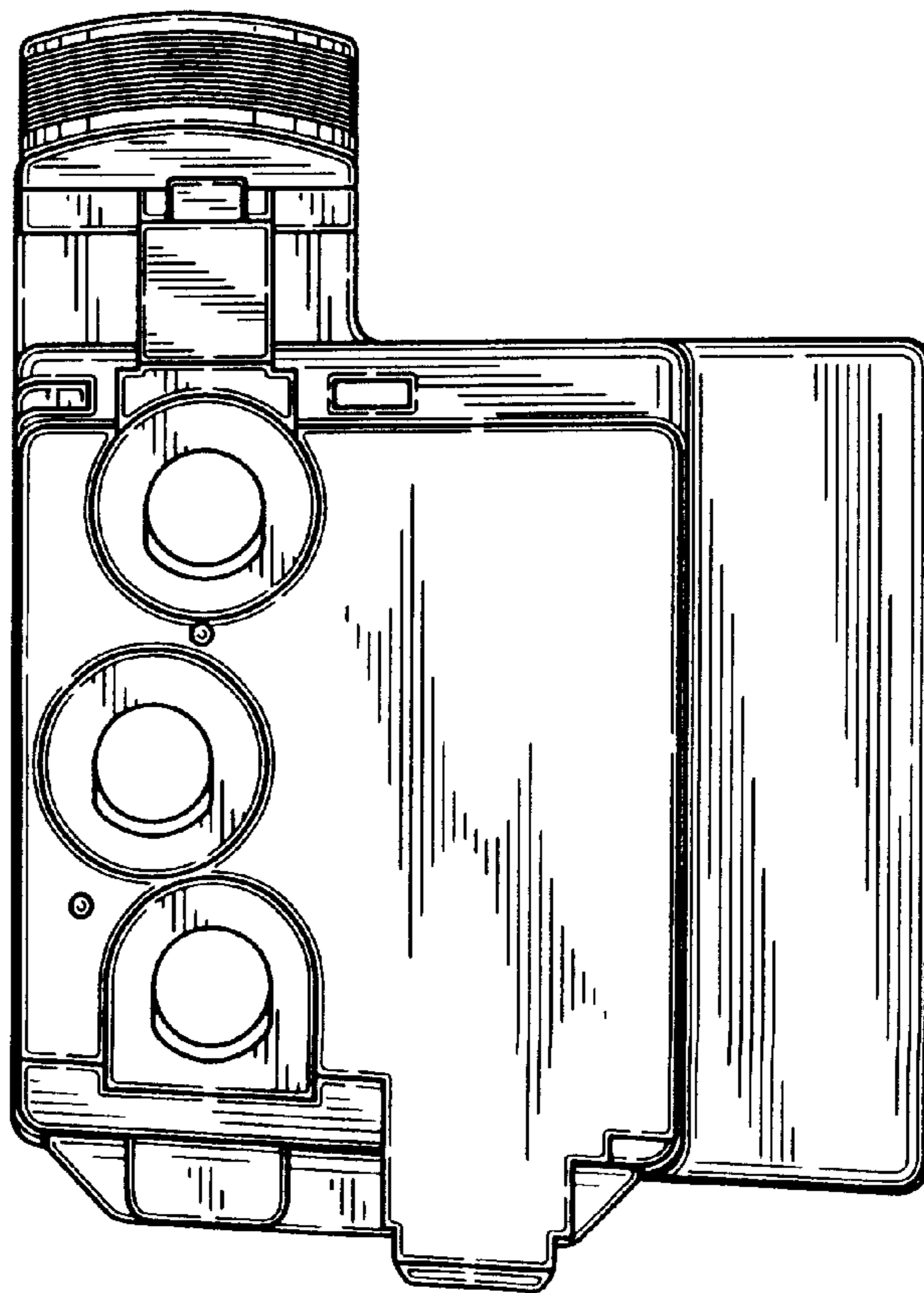
*FIG. 2*



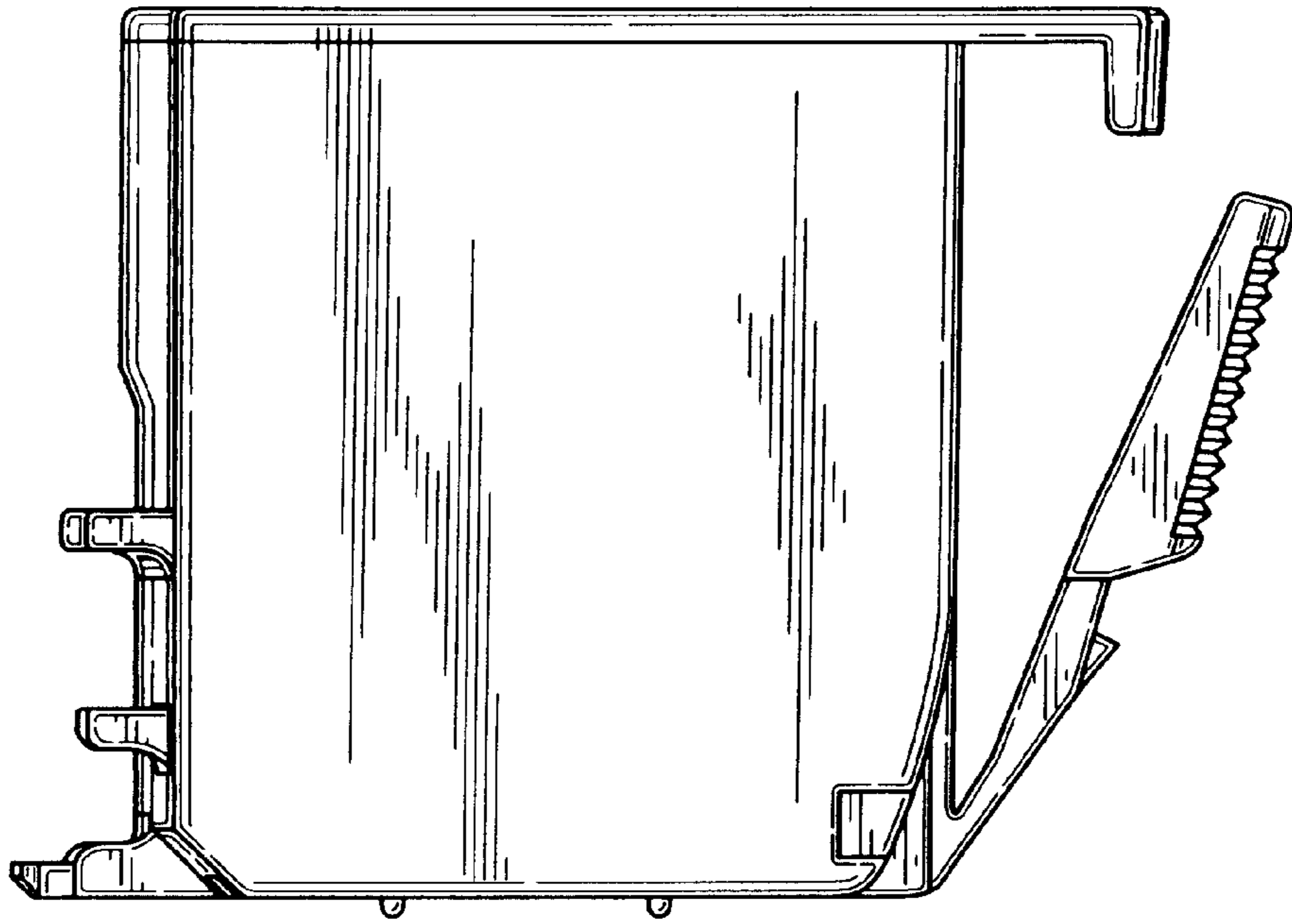
*FIG. 3*



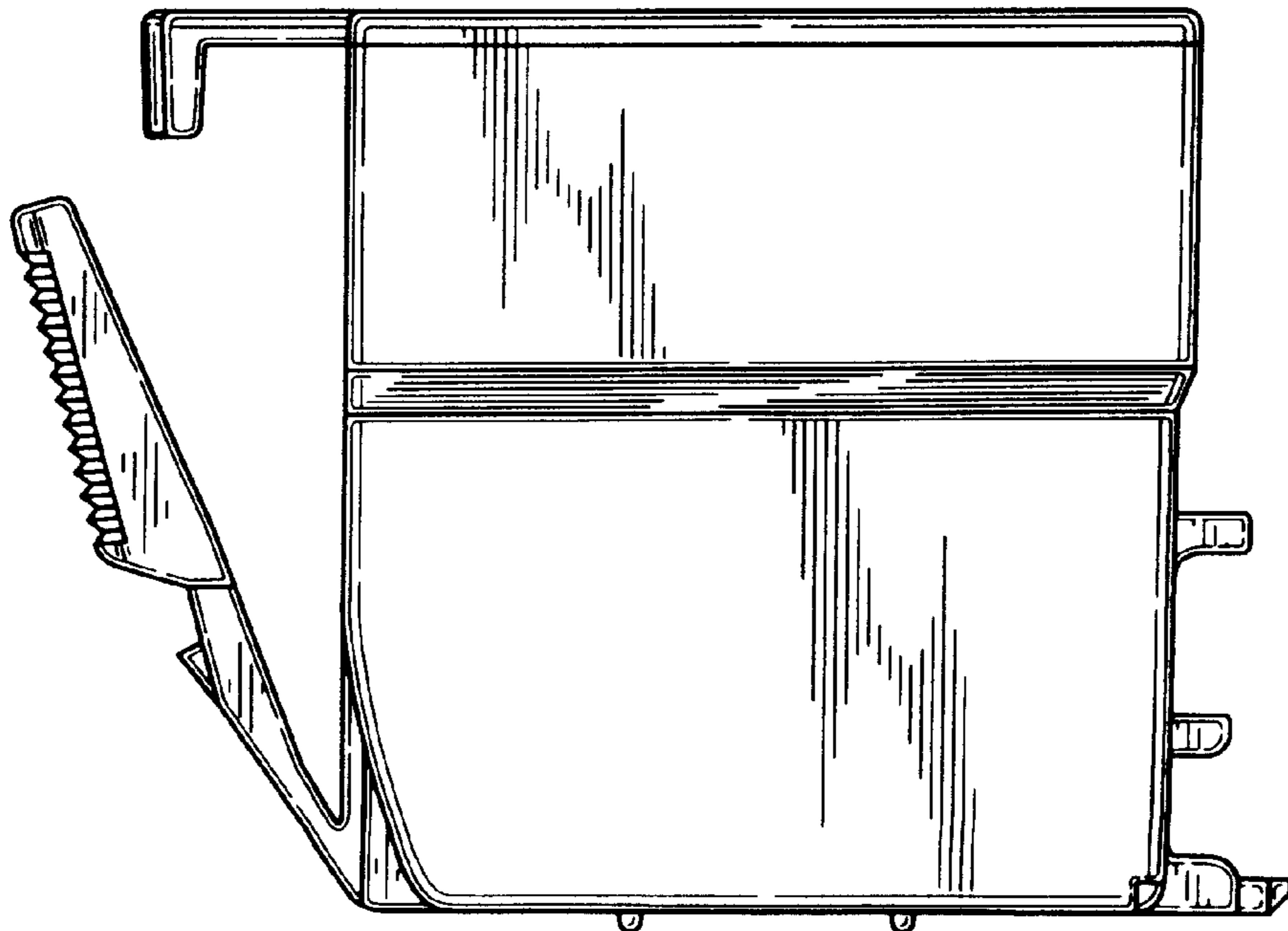
*FIG. 4*



*FIG. 5*



*FIG. 6*





*FIG. 7*

