



US00D436989S

(12) **United States Design Patent**  
**Mattern et al.**

(10) **Patent No.:** **US D436,989 S**

(45) **Date of Patent:** **\*\* Jan. 30, 2001**

(54) **SOLID INK STICK FOR A COLOR PRINTER**

(75) Inventors: **Frederick T. Mattern**, Portland, OR  
(US); **Henry Y. Chin**, San Jose, CA  
(US); **Kuoyong Huang**, Chicago, IL  
(US)

(73) Assignee: **Xerox Corporation**, Stamford, CT  
(US)

(\*\*) Term: **14 Years**

(21) Appl. No.: **29/114,939**

(22) Filed: **Dec. 3, 1999**  
(Under 37 CFR 1.47)

(51) **LOC (7) Cl.** ..... **18-02**

(52) **U.S. Cl.** ..... **D18/56**

(58) **Field of Search** ..... D18/56; 347/86,  
347/87, 54, 88, 99; 106/31.29, 31.61

D. 407,111	3/1999	Brown et al. .	
D. 407,112	3/1999	Chin et al. .	
D. 407,742	4/1999	Yao et al. .	
D. 407,743	4/1999	Yao et al. .	
D. 407,745	4/1999	Brown et al. .	
D. 408,849	4/1999	Chin et al. .	
D. 409,235	5/1999	Chin et al. .	
D. 409,237	5/1999	Ellers et al. .	
D. 410,026	5/1999	Brown et al. .	
D. 410,490	6/1999	Mattern et al. .	
D. 412,527	8/1999	Ellers et al. .	
D. 412,528	8/1999	Ellers et al. .	
D. 412,934	8/1999	Jones .	
D. 413,625	9/1999	Brown et al. .	
D. 414,200	9/1999	Jones .	
D. 415,193	10/1999	Jones .	
D. 416,936 *	11/1999	Chin et al. ....	D18/56
5,223,860	6/1993	Loofbourow et al. .	
5,510,821	4/1996	Jones et al. .	
5,988,805 *	11/1999	Meinhardt .....	347/88
6,056,394 *	5/2000	Rousseau et al. ....	347/88

\* cited by examiner

*Primary Examiner*—Cathy Anne MacCormac  
(74) *Attorney, Agent, or Firm*—Charles F. Moore

(56) **References Cited**

**U.S. PATENT DOCUMENTS**

D. 371,801	7/1996	Jones et al. .
D. 371,802	7/1996	Jones et al. .
D. 372,268	7/1996	Jones et al. .
D. 372,270	7/1996	Jones et al. .
D. 373,139	8/1996	Jones et al. .
D. 379,470	5/1997	Gilbert .
D. 379,471	5/1997	Gilbert .
D. 379,639	6/1997	Gilbert .
D. 379,640	6/1997	Gilbert .
D. 380,771	7/1997	Jones .
D. 383,153	9/1997	Jones et al. .
D. 383,154	9/1997	Jones et al. .
D. 402,308	12/1998	Yao et al. .
D. 403,350	12/1998	Chambers et al. .
D. 403,351	12/1998	Yao et al. .
D. 403,352	12/1998	Brown et al. .
D. 403,699	1/1999	Chin et al. .
D. 407,109	3/1999	Yao et al. .
D. 407,110	3/1999	Yao et al. .

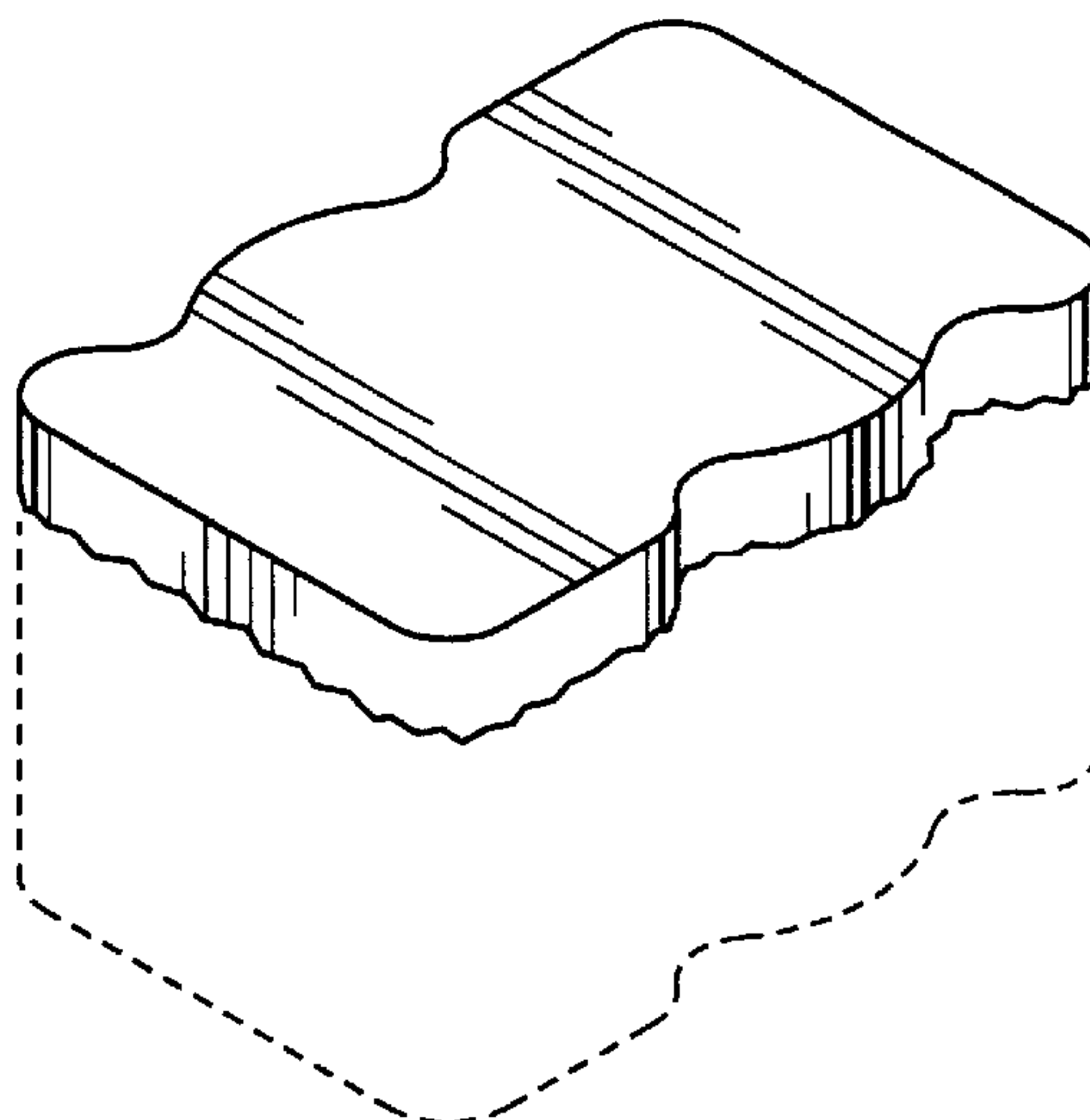
(57) **CLAIM**

The ornamental design for a solid ink stick for a color printer, as shown and described.

**DESCRIPTION**

FIG. 1 is a front perspective view of a solid ink stick for a color printer showing the top surface and the contour of the side surfaces of our new design;  
FIG. 2 is a top plan view thereof;  
FIG. 3 is a side elevational view thereof showing the contour of the sides, the opposite side being identical; and,  
FIG. 4 is an end elevational view thereof, the opposite end being identical.  
The broken line portions of FIGS. 1, 3 and 4 are environmental only and form no part of the claimed design.

**1 Claim, 1 Drawing Sheet**



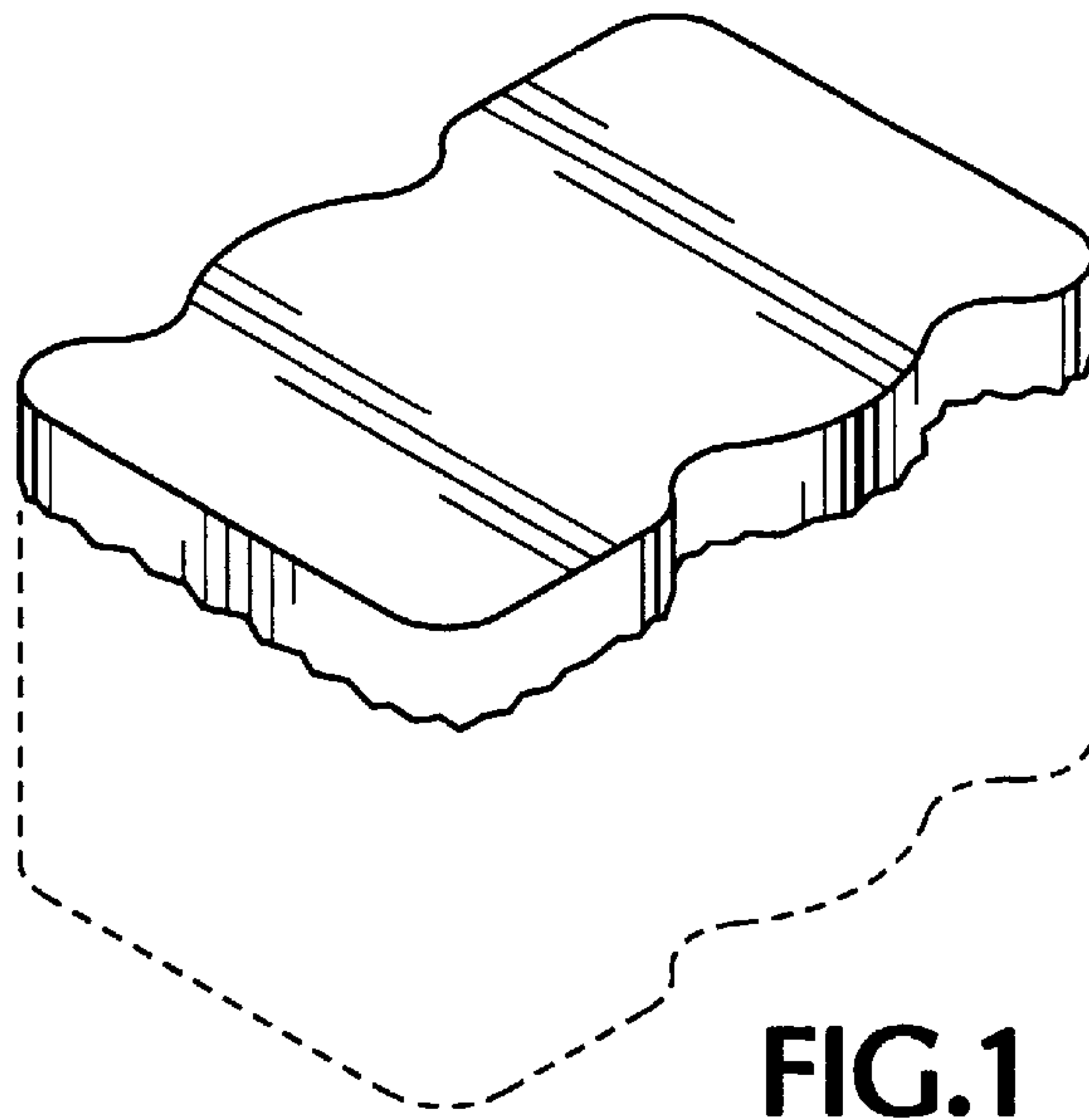


FIG. 1

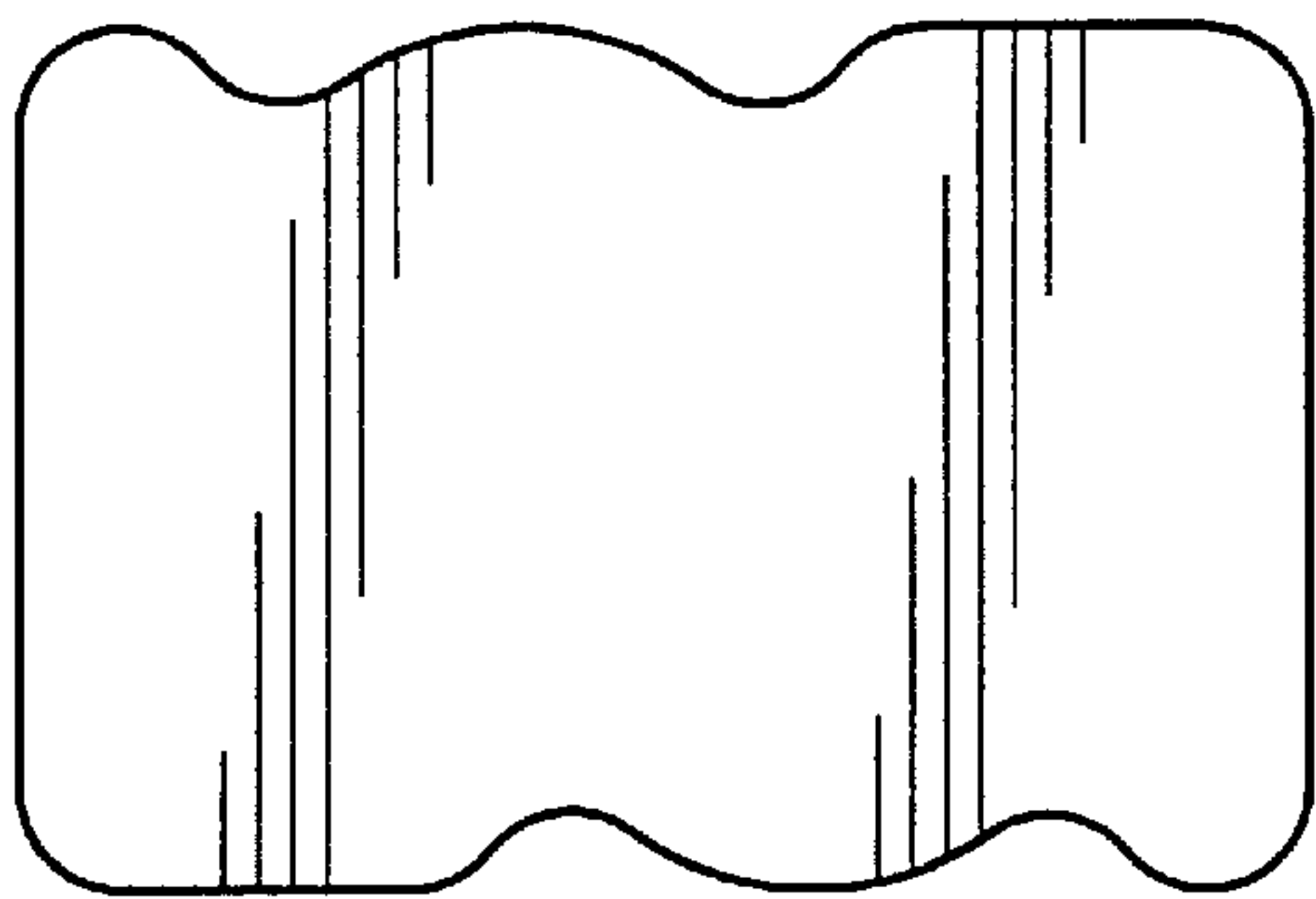


FIG. 2

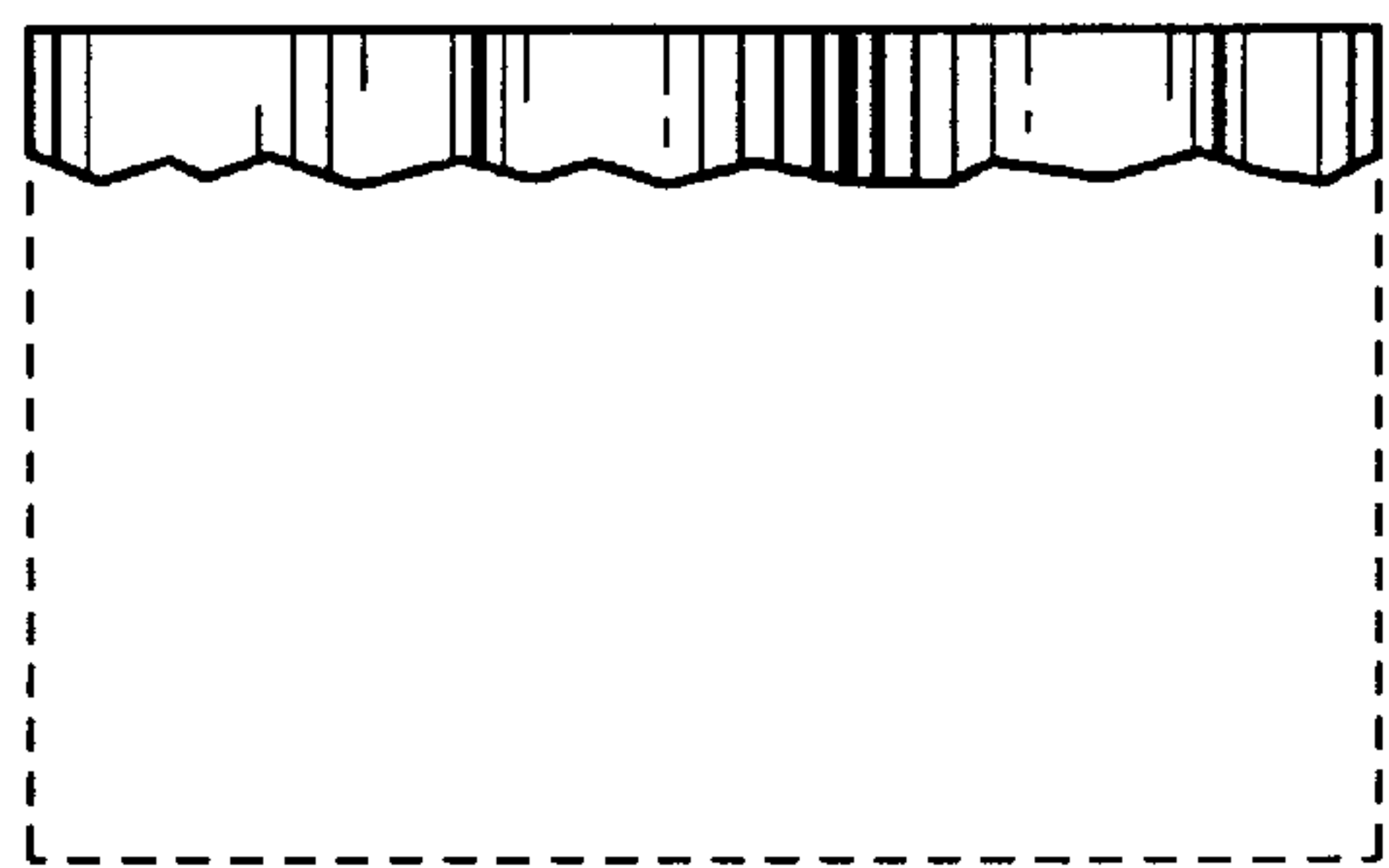


FIG. 3

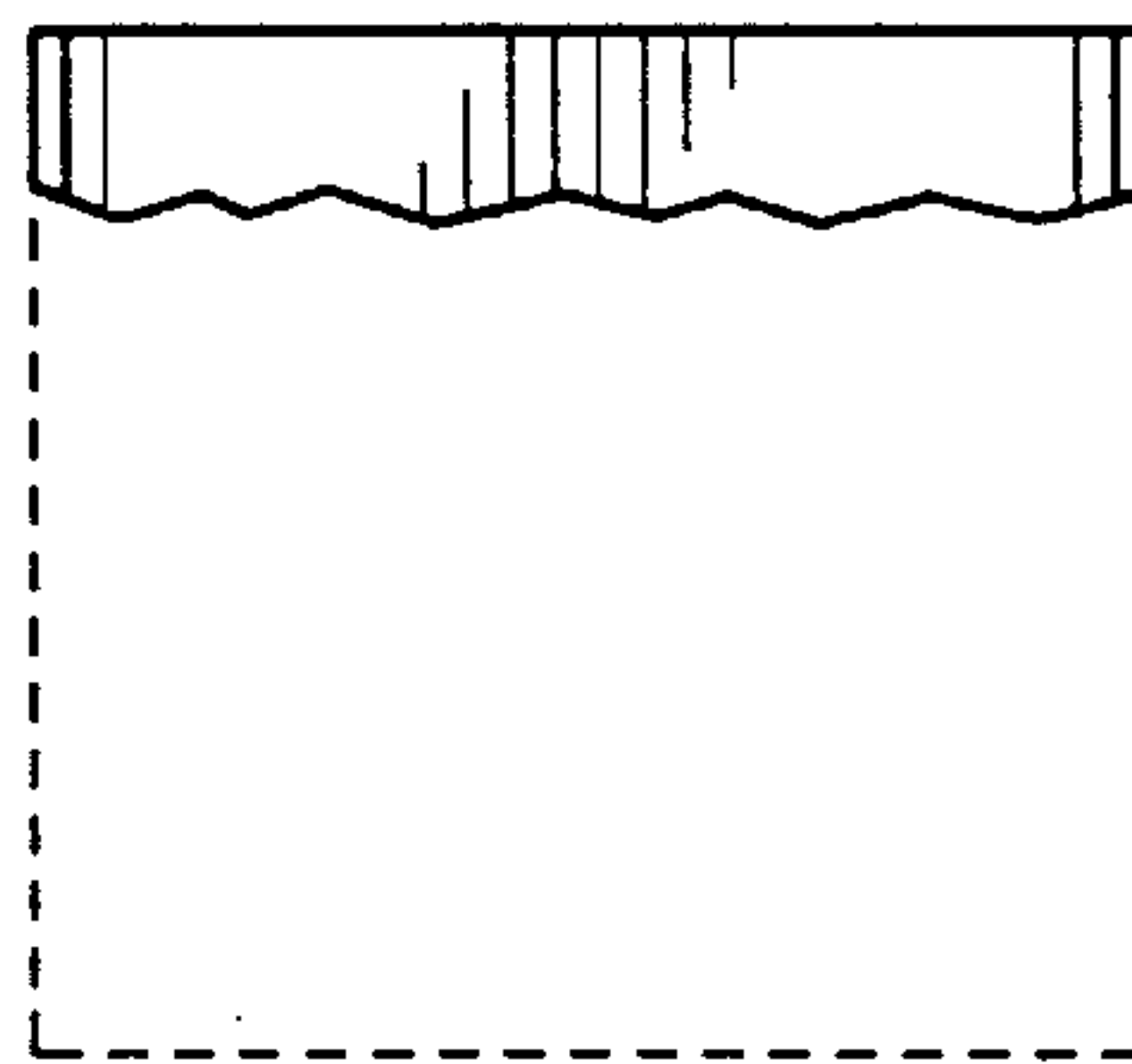


FIG. 4