



US00D436988S

(12) **United States Design Patent**
Maeda et al.

(10) **Patent No.:** **US D436,988 S**

(45) **Date of Patent:** **** Jan. 30, 2001**

(54) **SIDE PANEL FOR INK CARTRIDGE FOR INK JET PRINTER**

D. 395,669 * 6/1998 Carlotta et al. D18/56
D. 395,916 * 7/1998 Inoue et al. D18/56

(75) Inventors: **Hiroyuki Maeda**, Yokohama; **Iwao Kawamura**, Kunitachi; **Kazunori Namai**, Yokohama; **Takuya Yasumitsu**, Kawasaki, all of (JP)

* cited by examiner

Primary Examiner—Cathy Anne MacCormac
(74) *Attorney, Agent, or Firm*—Fitzpatrick, Cella, Harper & Scinto

(73) Assignee: **Canon Kabushiki Kaisha**, Tokyo (JP)

(57) **CLAIM**

(**) Term: **14 Years**

The ornamental design for an side panel for ink cartridge for ink jet printer, as shown and described.

(21) Appl. No.: **29/113,678**

DESCRIPTION

(22) Filed: **Nov. 10, 1999**

(30) **Foreign Application Priority Data**

May 14, 1999 (JP) 11-12707

(51) **LOC (7) Cl.** **18-02**

(52) **U.S. Cl.** **D18/56; 347/86**

(58) **Field of Search** **D18/56; 347/86-87**

FIG. 1 is a top plan view of a side panel for ink cartridge for ink jet printer showing our new design; FIG. 2 is a bottom plan view thereof; FIG. 3 is a left side view thereof; FIG. 4 is a right side view thereof; FIG. 5 is a perspective view as viewed from front and bottom direction thereof; and, FIG. 6 is a perspective view as viewed from rear and top direction thereof.

(56) **References Cited**

U.S. PATENT DOCUMENTS

D. 269,280 * 6/1983 Reinke D18/56
D. 270,736 * 9/1983 Becker D18/56

The broken lines are for purposes of illustration only and form no part of the claimed design

1 Claim, 5 Drawing Sheets

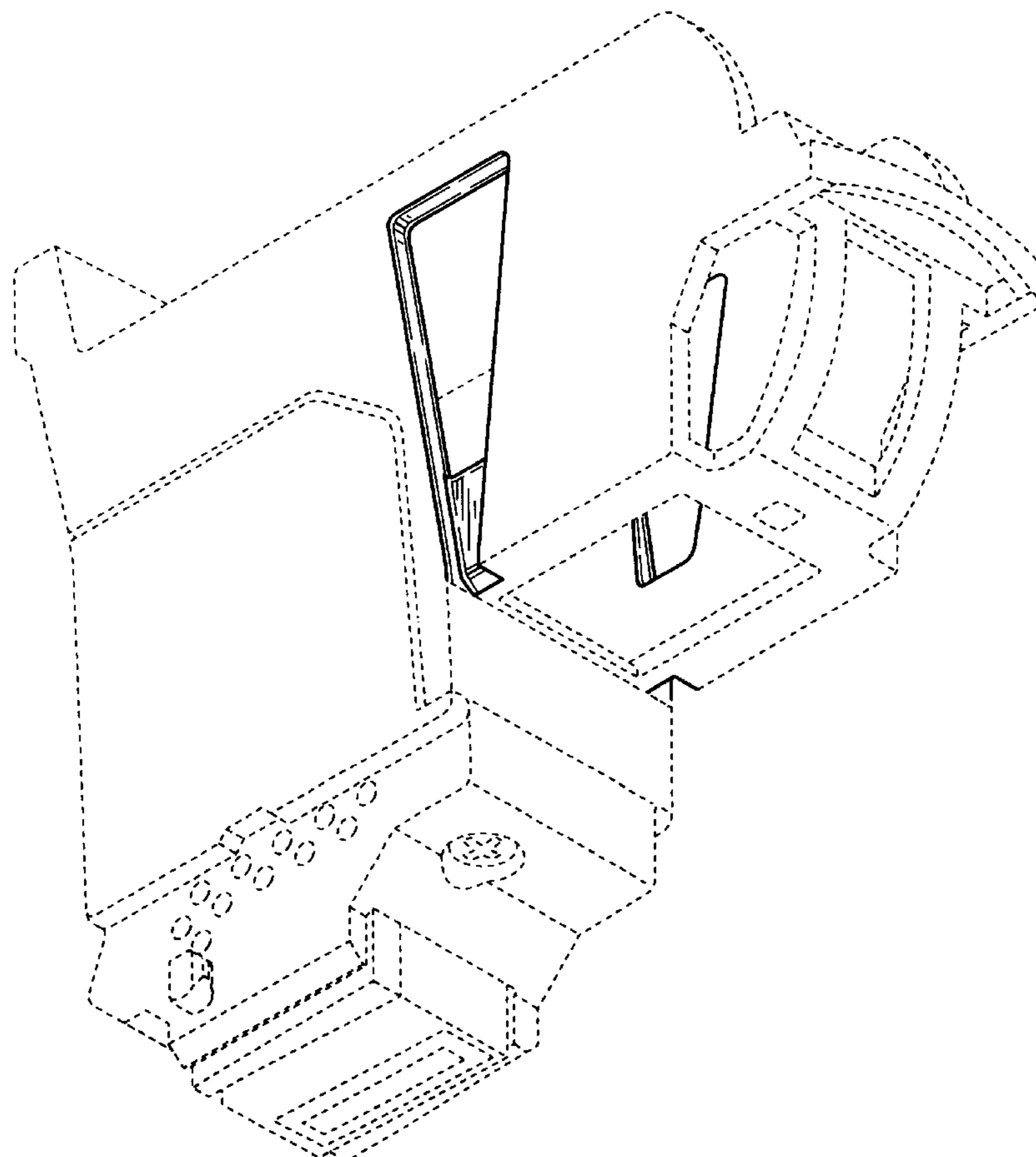


FIG. 1

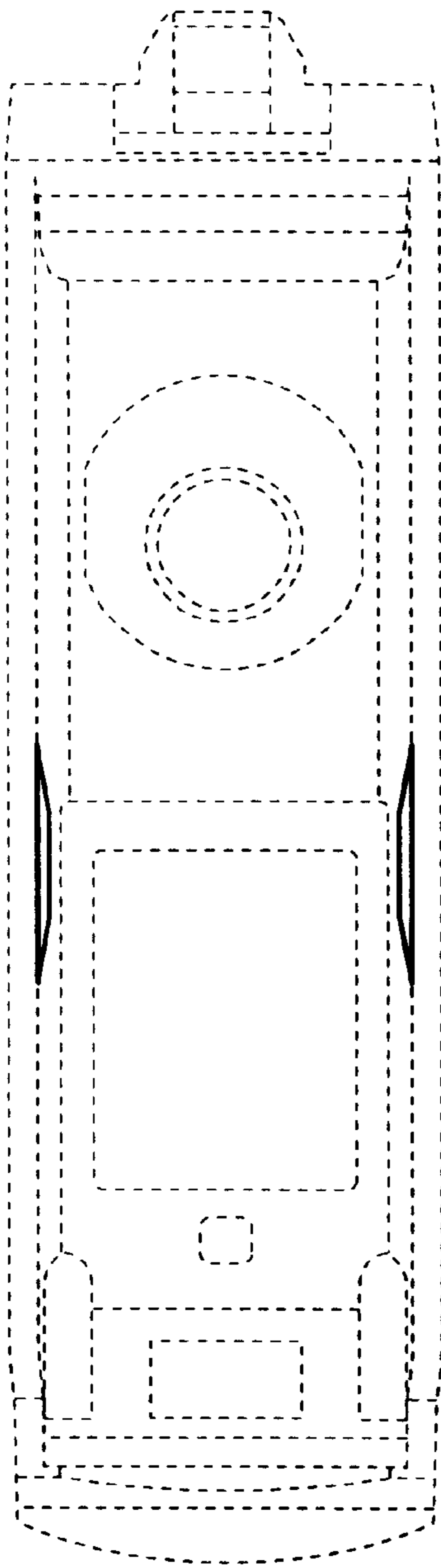


FIG. 2

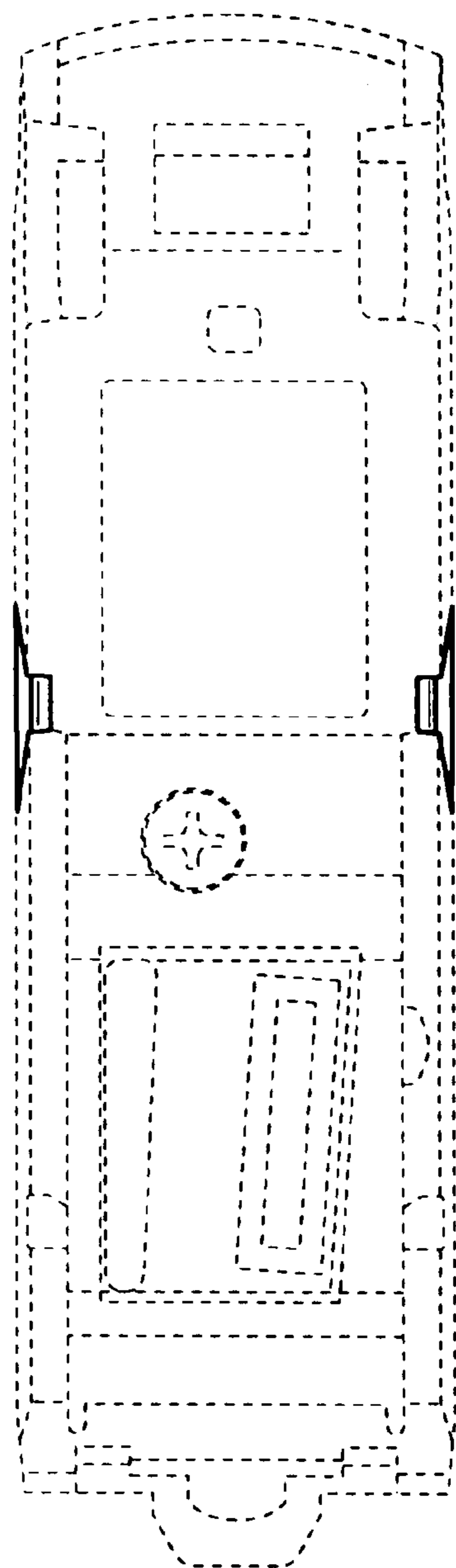


FIG. 3

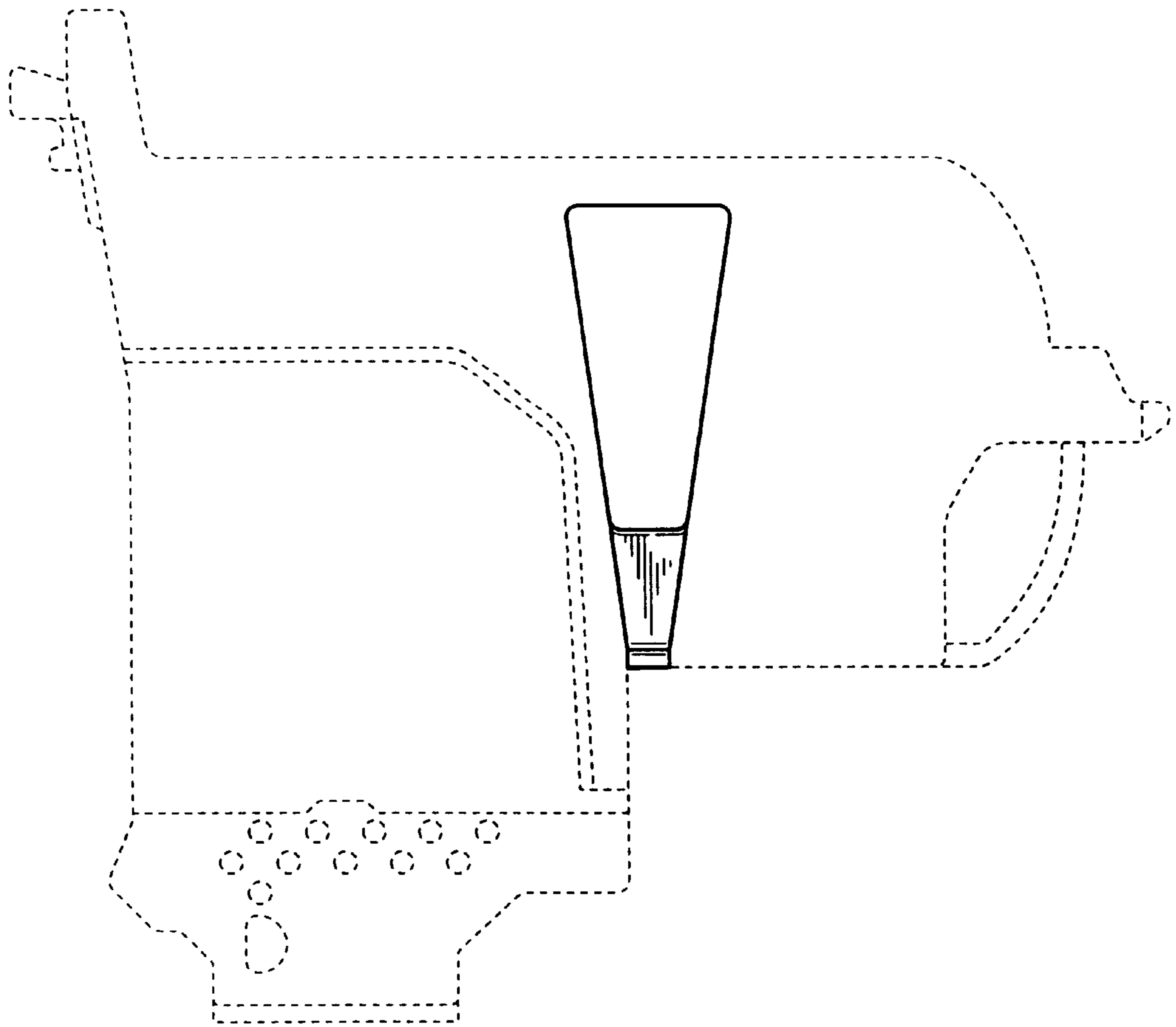


FIG. 4

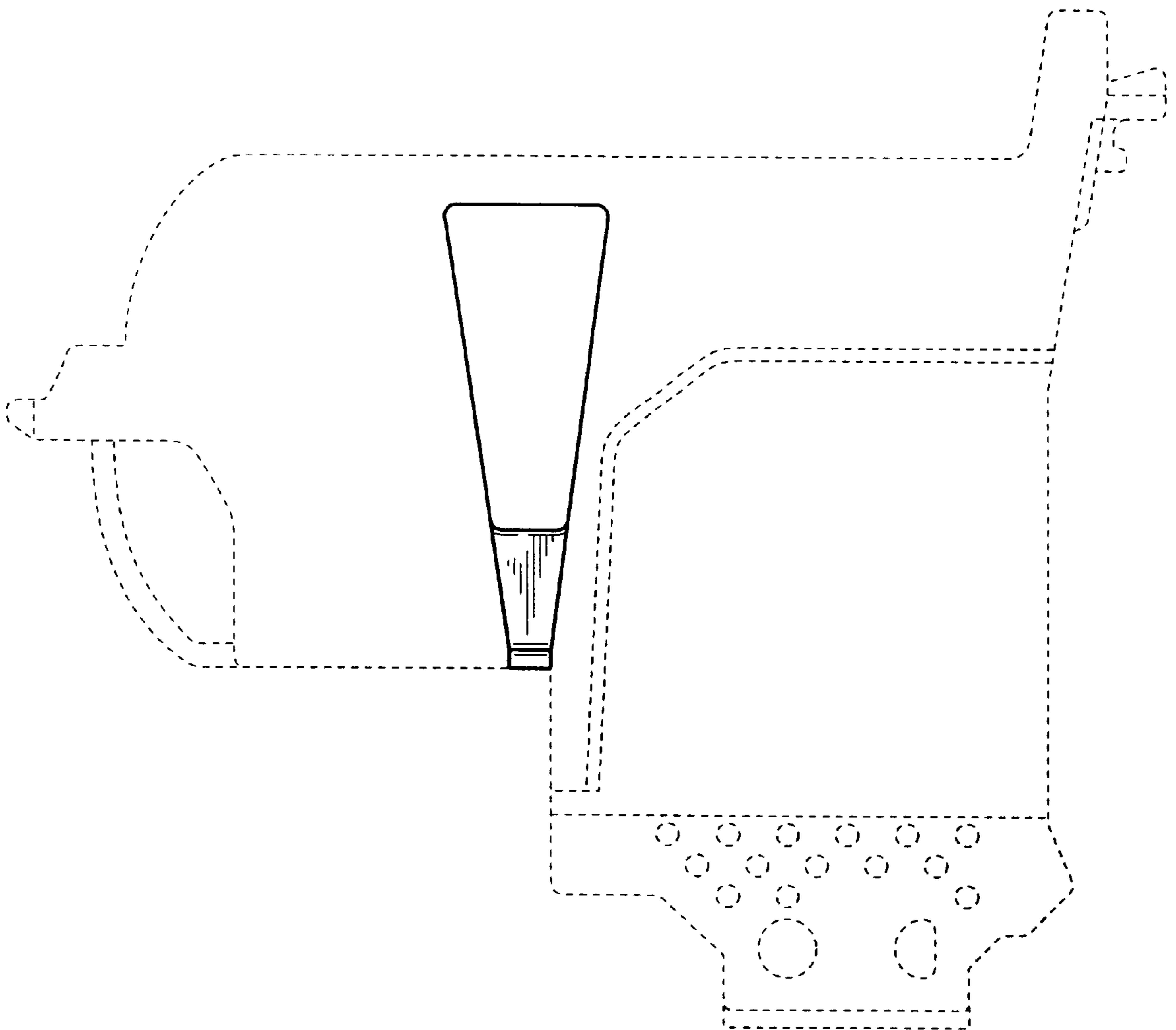


FIG. 5

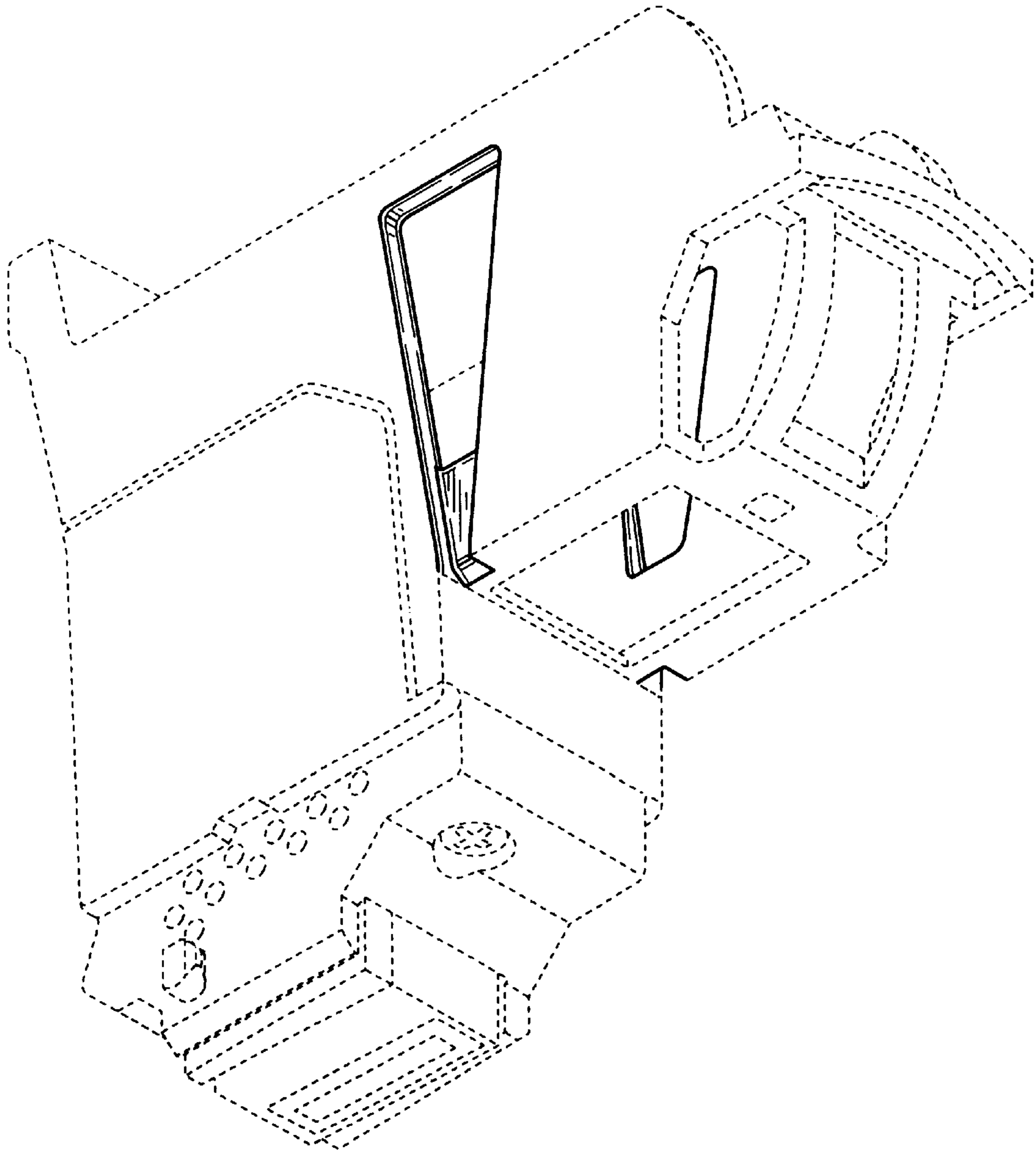


FIG. 6

