



US00D436986S

(12) **United States Design Patent**  
**Joroku et al.**

(10) **Patent No.:** **US D436,986 S**

(45) **Date of Patent:** **\*\* Jan. 30, 2001**

(54) **TONER SUPPLYING CARTRIDGE FOR AN  
IMAGE FORMING APPARATUS**

D. 422,303 \* 4/2000 Takeuchi et al. .... D18/43  
5,629,759 \* 5/1997 Jyoroku ..... 399/262

(75) Inventors: **Kazuo Joroku; Toshihiko Watanabe,**  
both of Osaka (JP)

\* cited by examiner

(73) Assignee: **Mita Industrial Co., Ltd.,** Osaka (JP)

*Primary Examiner*—Caron D. Veynar  
(74) *Attorney, Agent, or Firm*—Smith, Gambrell & Russell,  
LLP

(\*\*) Term: **14 Years**

(57) **CLAIM**

(21) Appl. No.: **29/115,906**

The ornamental design of a toner supplying cartridge for an  
image forming apparatus, as shown.

(22) Filed: **Dec. 23, 1999**

**DESCRIPTION**

(30) **Foreign Application Priority Data**

Jul. 5, 1999 (JP) ..... 11-17925

(51) **LOC (7) Cl.** ..... **16-03**

(52) **U.S. Cl.** ..... **D18/43**

(58) **Field of Search** ..... D18/36, 40, 43,  
D18/56; 399/24, 25, 27, 28, 35, 252, 262;  
222/DIG. 1

FIG. 1 is a front elevational view of a toner supplying  
cartridge for an image forming apparatus;  
FIG. 2 is a left side view thereof;  
FIG. 3 is a rear elevation view thereof;  
FIG. 4 is a right side view thereof;  
FIG. 5 is a top plan view thereof;  
FIG. 6 is a bottom plan view thereof;  
FIG. 7 is a perspective view thereof as viewed from front,  
top and right side; and,  
FIG. 8 is a perspective view thereof as viewed from front,  
bottom and right side.

(56) **References Cited**

**U.S. PATENT DOCUMENTS**

D. 401,618 \* 11/1998 Ikehata ..... D18/43

**1 Claim, 6 Drawing Sheets**

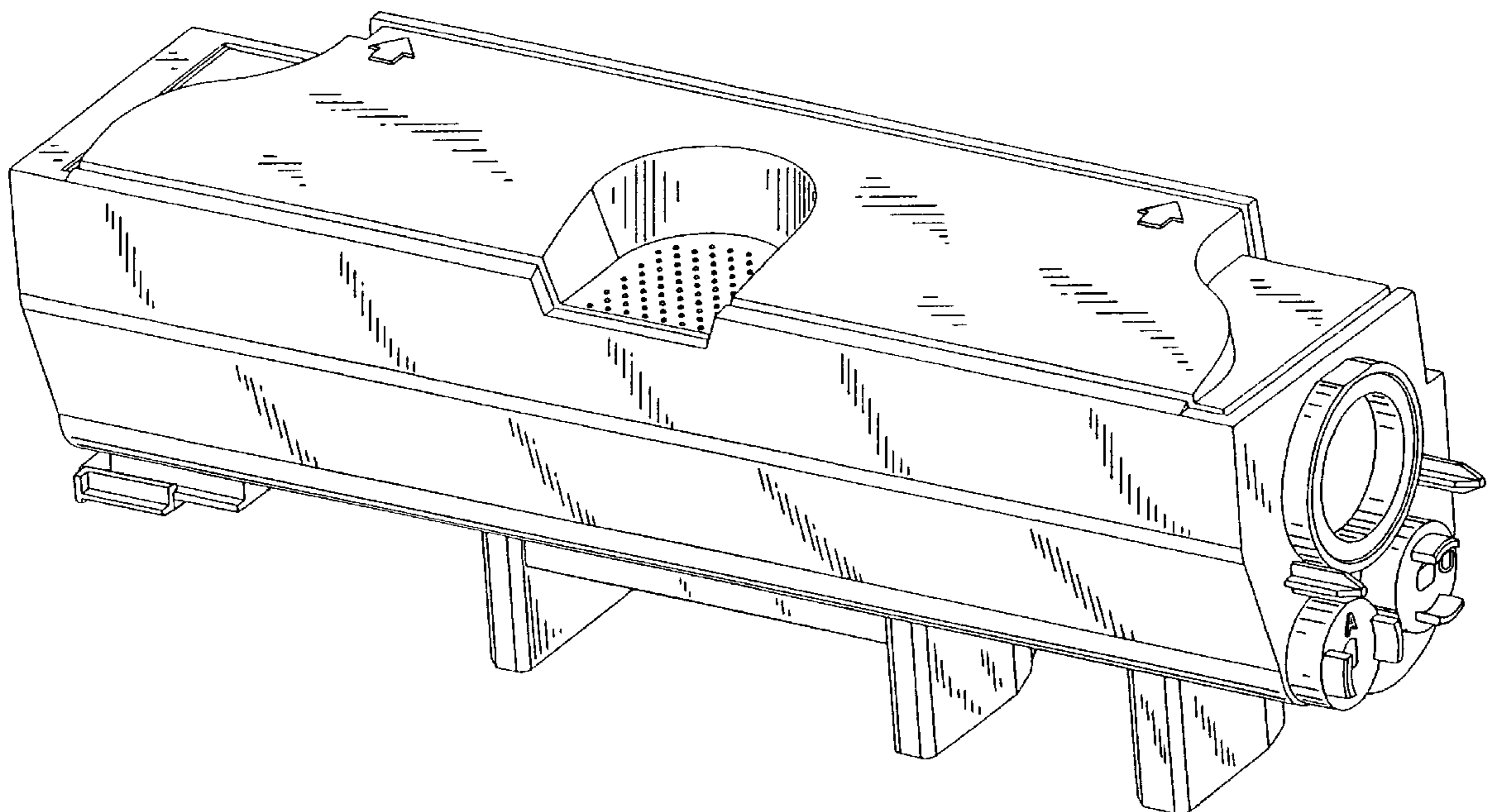


FIG. 1

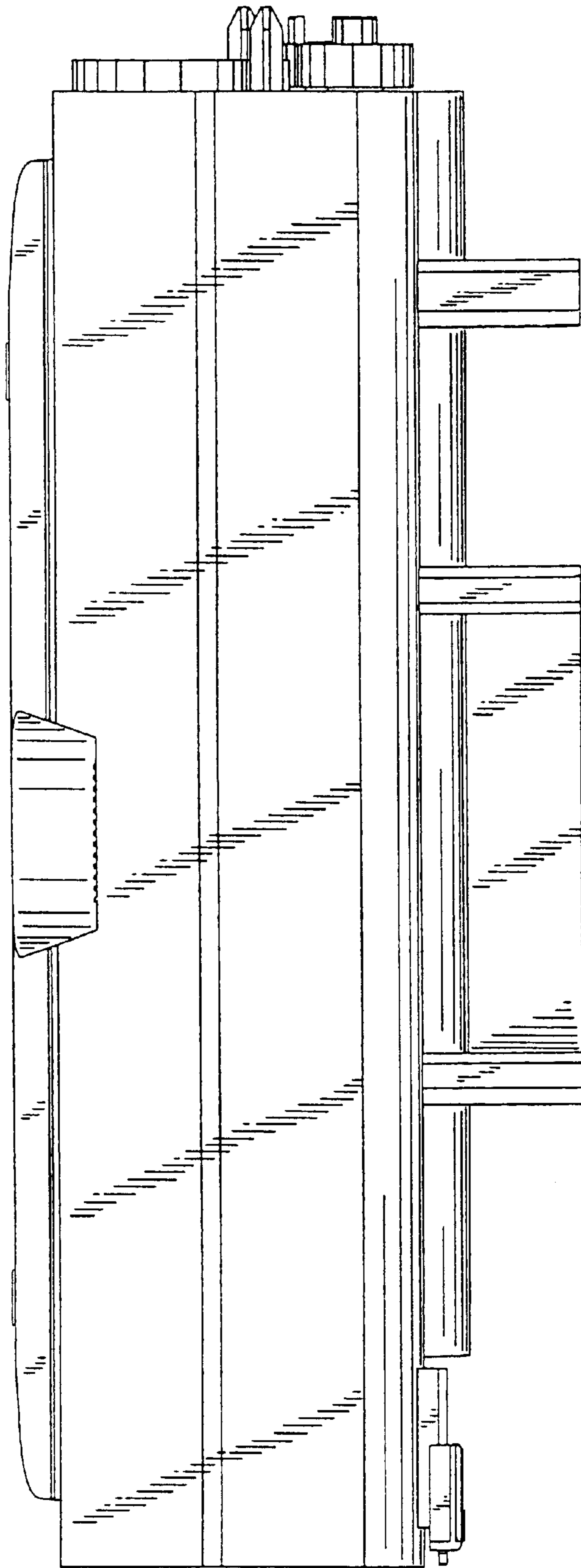


FIG. 2

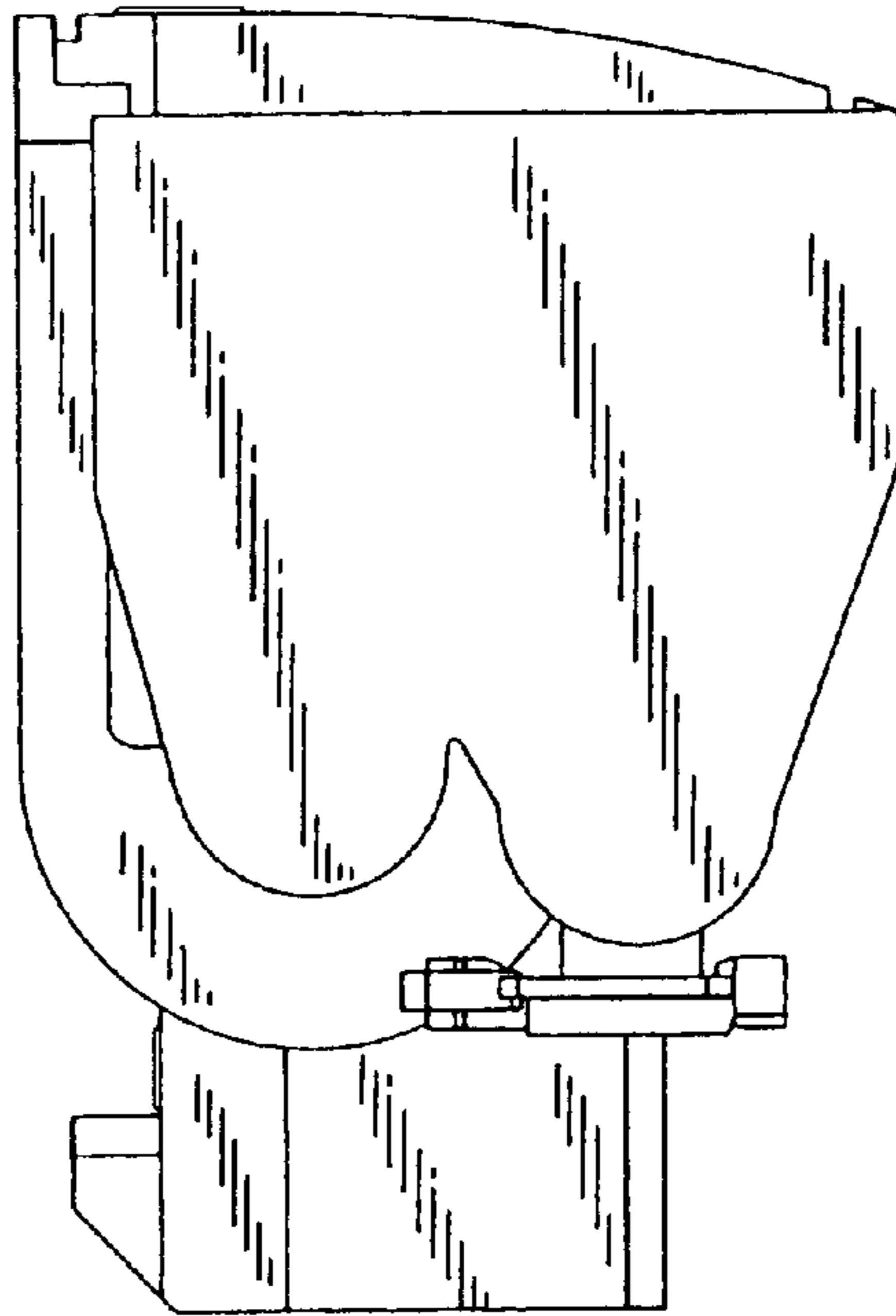


FIG. 4

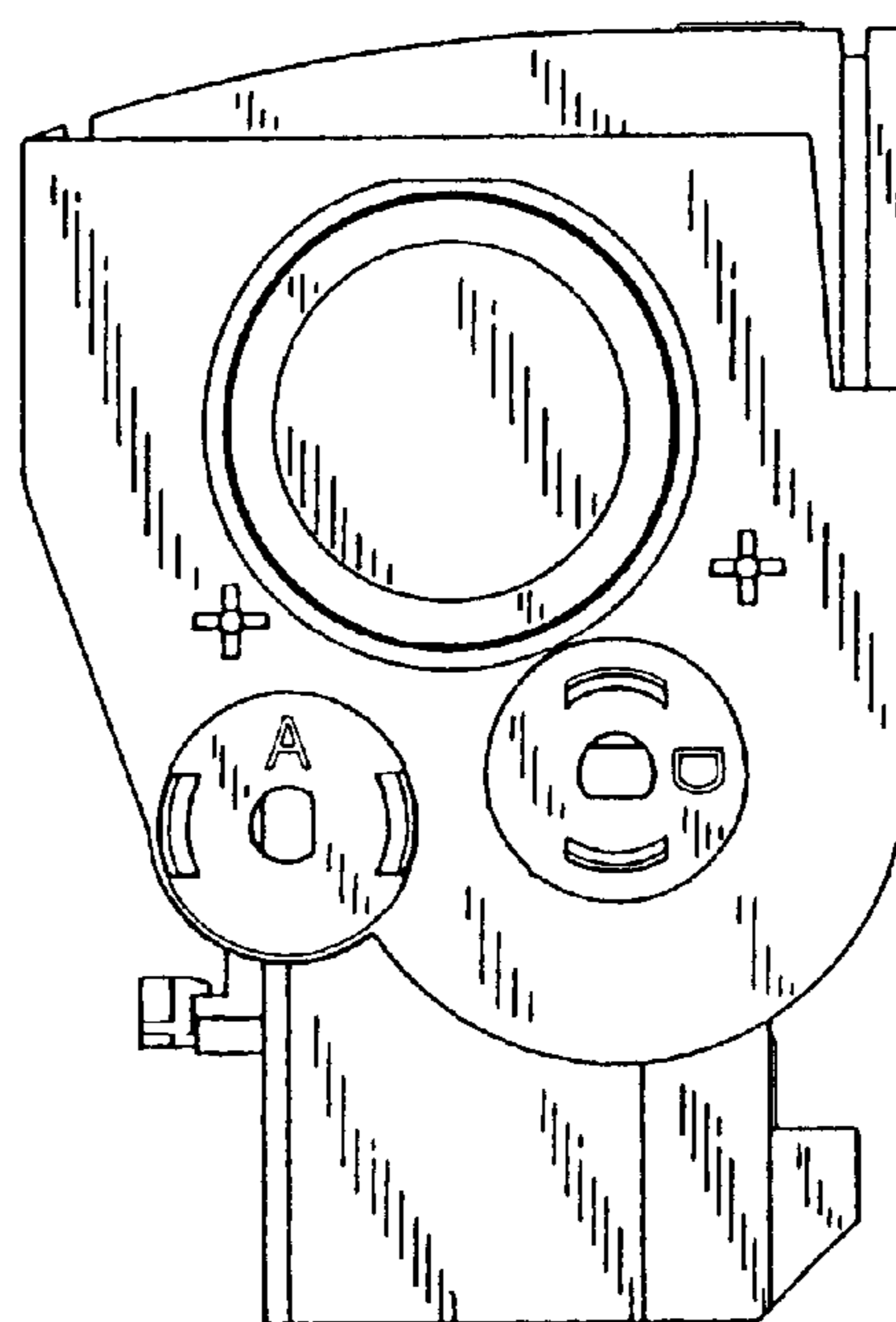


FIG. 3

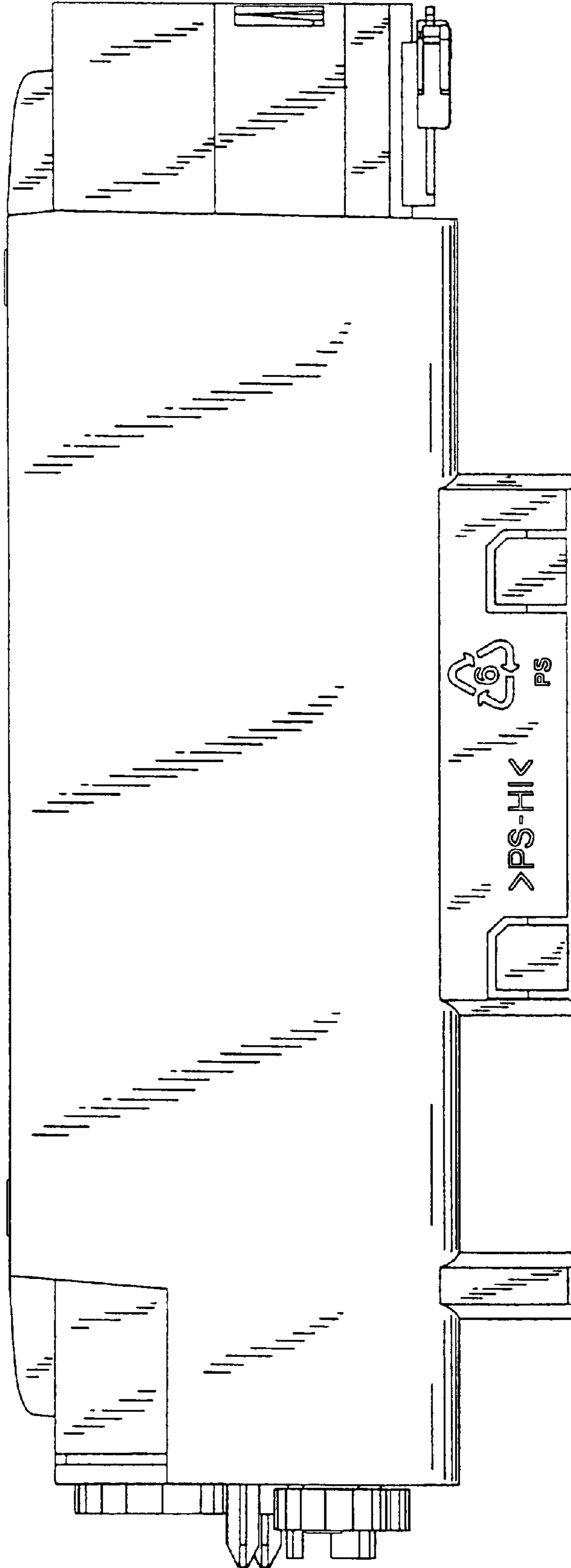


FIG. 5

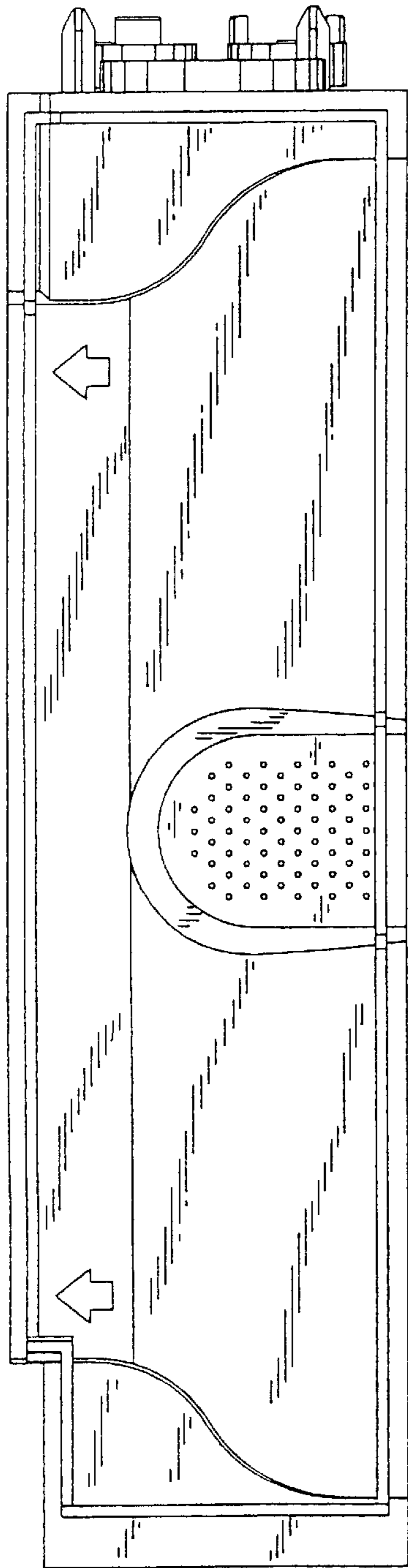


FIG. 6

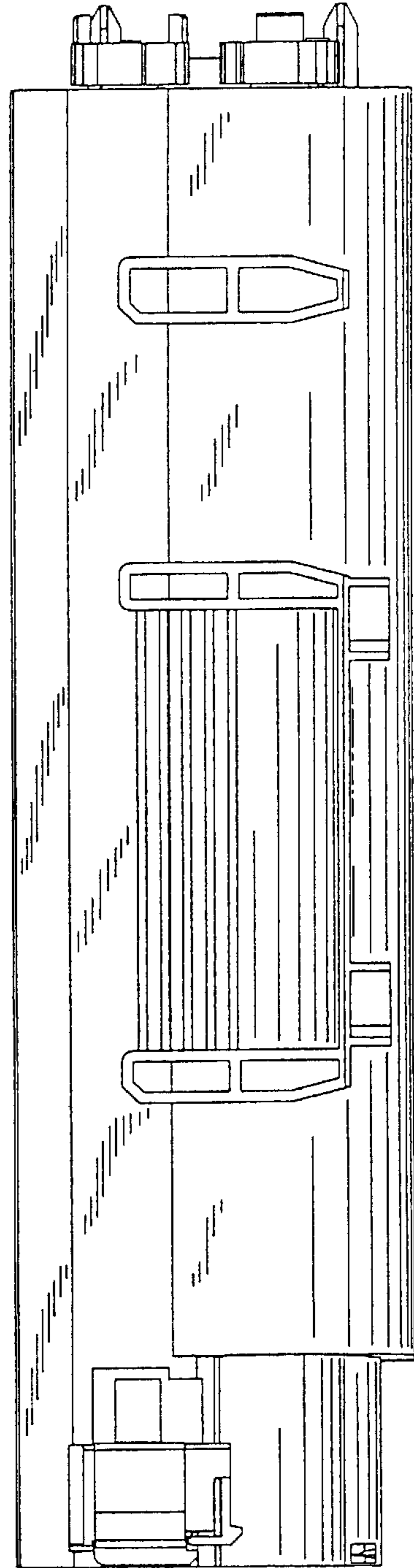


FIG. 7

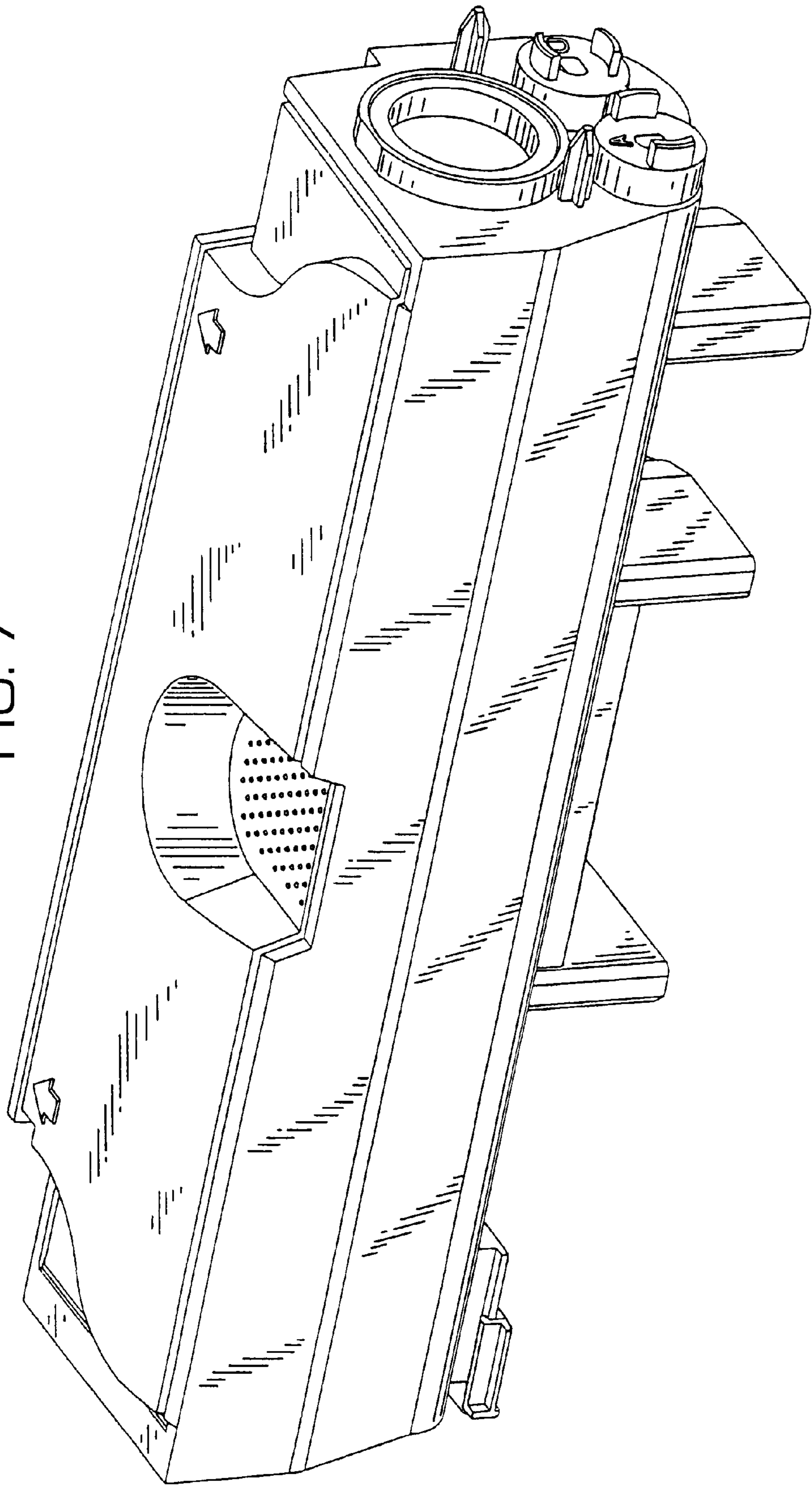


FIG. 8

