



US00D436981S

(12) **United States Design Patent**  
**Kawasaki et al.**

(10) **Patent No.:** **US D436,981 S**

(45) **Date of Patent:** **\*\* Jan. 30, 2001**

(54) **CONTROL PANEL FOR PROJECTOR**

(75) Inventors: **Mugio Kawasaki; Akitoshi Kuroda,**  
both of Suwa (JP)

(73) Assignee: **Seiko Epson Corporation, Tokyo (JP)**

(\*\*) Term: **14 Years**

(21) Appl. No.: **29/122,982**

(22) Filed: **May 9, 2000**

(30) **Foreign Application Priority Data**

Nov. 11, 1999 (JP) ..... 11-31201

(51) **LOC (7) Cl.** ..... **16-02**

(52) **U.S. Cl.** ..... **D16/235**

(58) **Field of Search** ..... D16/205, 208,  
D16/221, 225, 230, 231, 234, 235; 353/115,  
119, 122

(56) **References Cited**

**U.S. PATENT DOCUMENTS**

- D. 167,426 \* 8/1952 Schlegel ..... D16/235
- D. 339,817 \* 9/1993 Fukuda et al. .... D16/230

- D. 420,691 \* 2/2000 Adachi ..... D16/231
- D. 424,090 \* 5/2000 Ko et al. .... D16/231
- 2,916,964 \* 12/1959 Paulsohn ..... 353/115
- 5,287,132 \* 2/1994 Suzuki et al. .... 353/119

\* cited by examiner

*Primary Examiner*—Adir Aronovich

(74) *Attorney, Agent, or Firm*—Oliff & Berridge, PLC

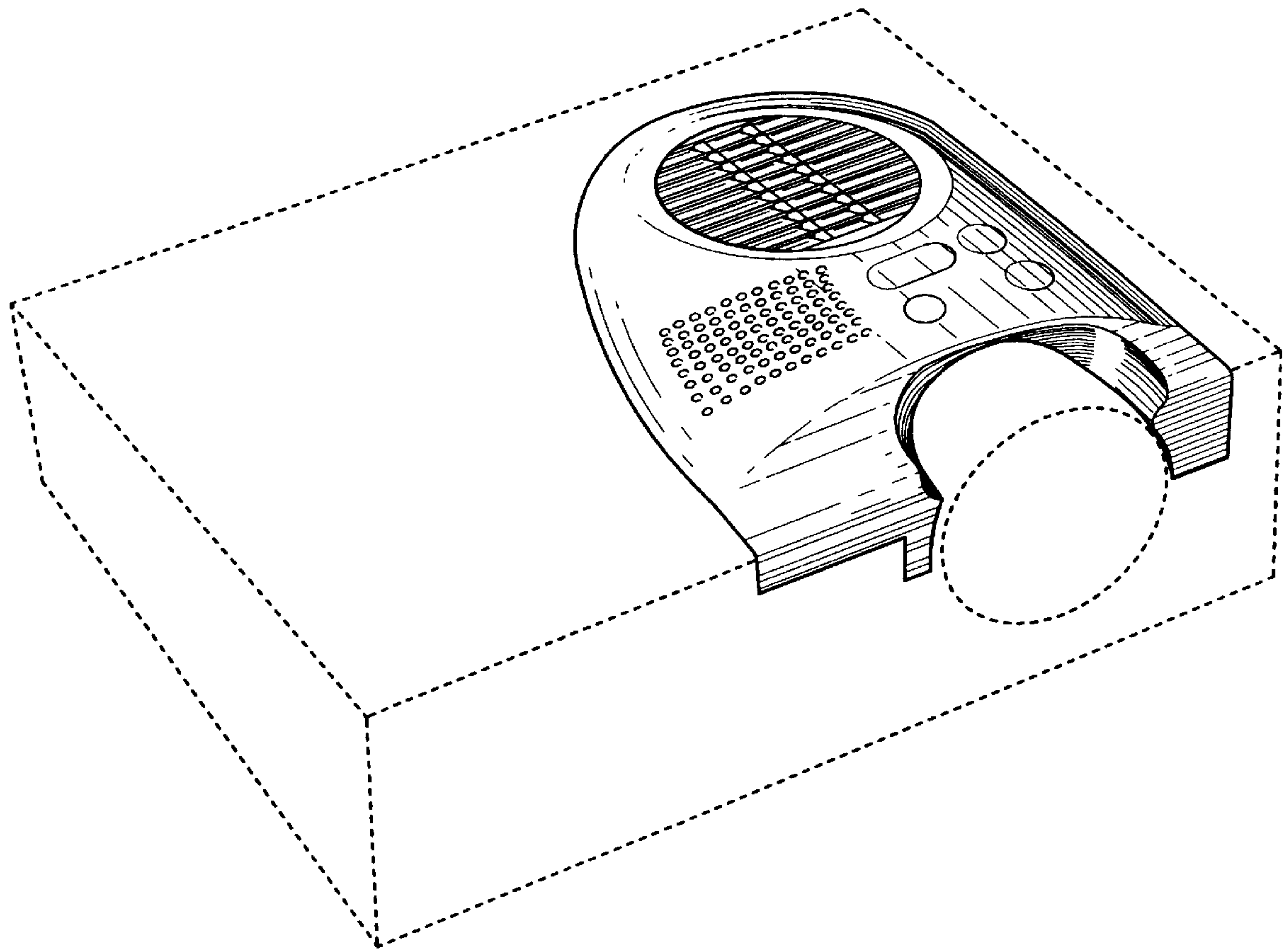
(57) **CLAIM**

The ornamental design for a control panel for projector, as shown and described.

**DESCRIPTION**

FIG. 1 is a top view of the control panel for projector;  
 FIG. 2 is a front view thereof;  
 FIG. 3 is a rear view thereof;  
 FIG. 4 is a left side view thereof;  
 FIG. 5 is a right side view thereof; and,  
 FIG. 6 is a perspective view thereof.  
 The broken line showing is for illustrative purposes only and forms no part of the claimed design.  
 The appearance of the control panel as seen from the bottom forms no part of the claimed design.

**1 Claim, 5 Drawing Sheets**



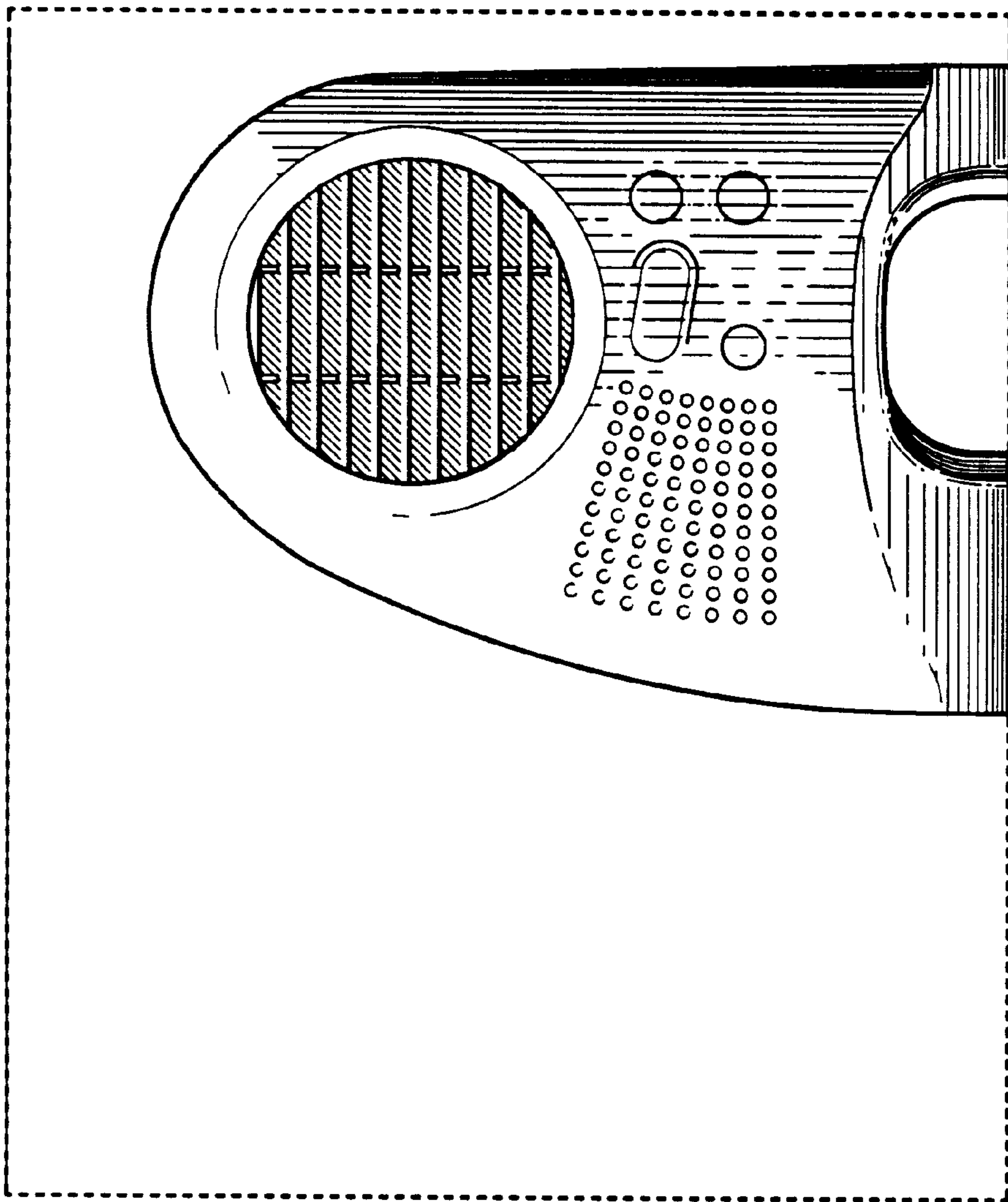
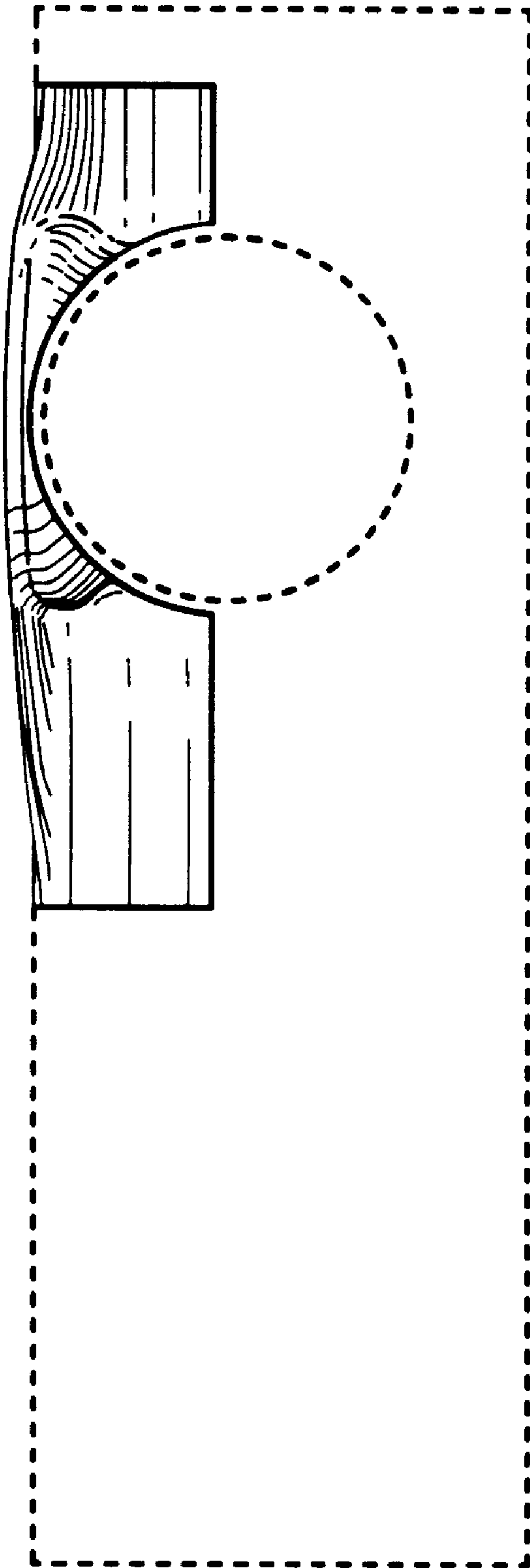
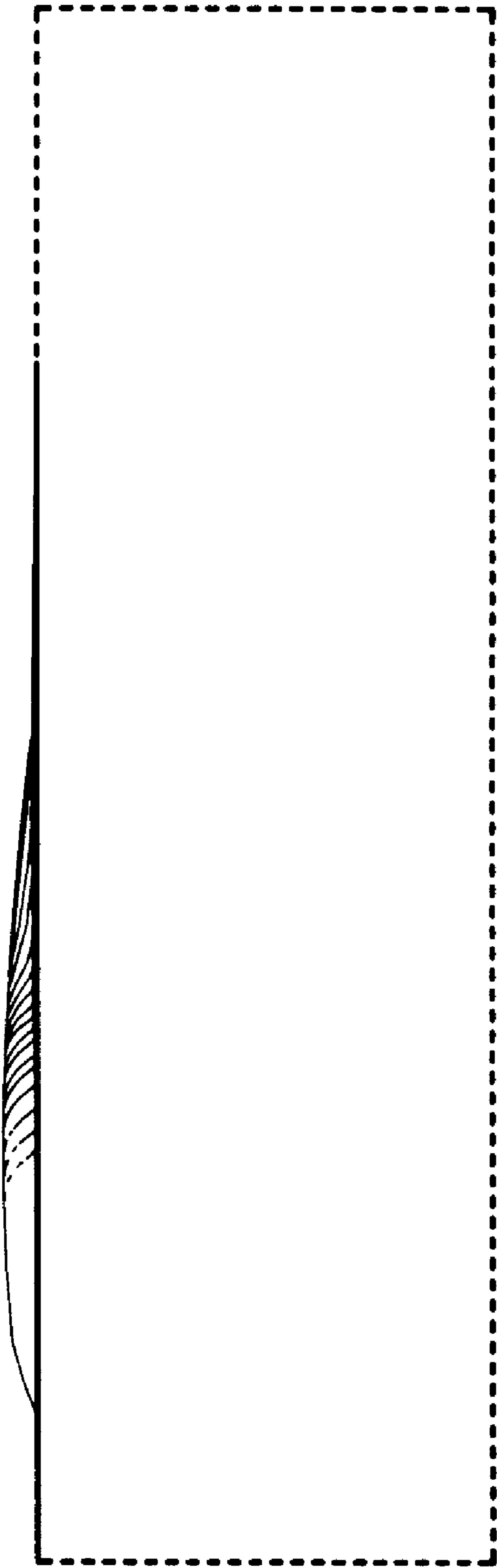


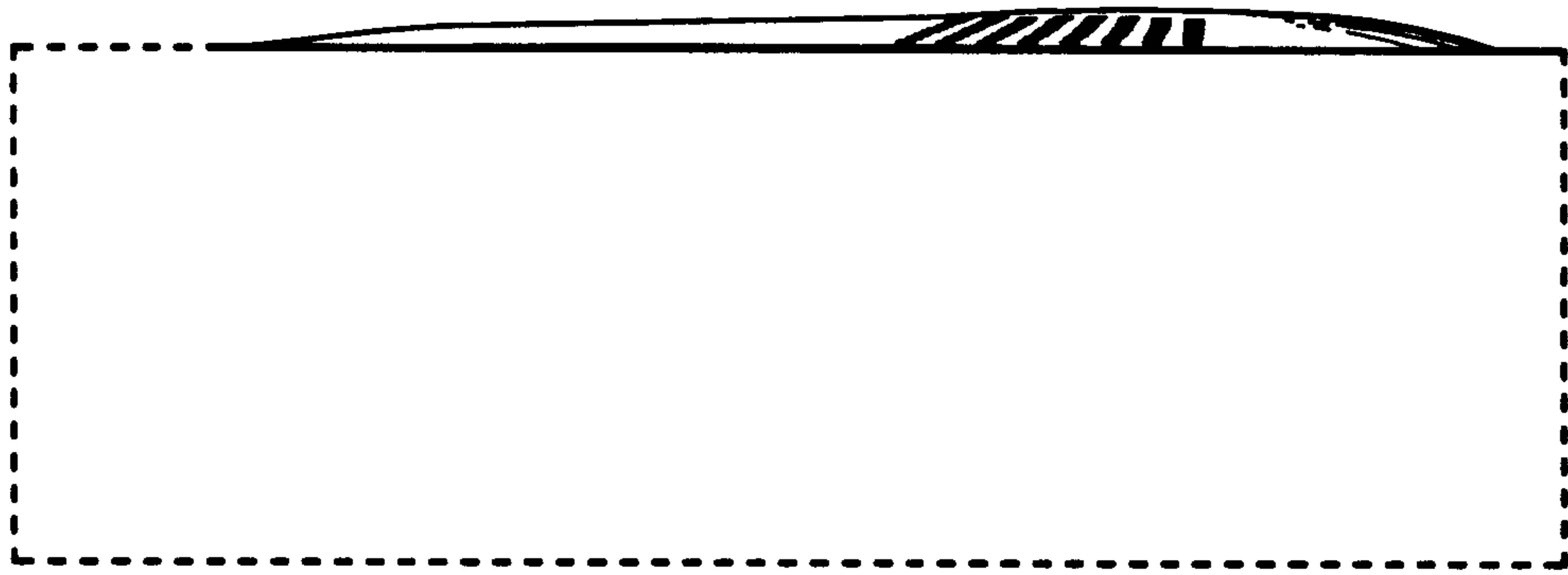
FIG. 1



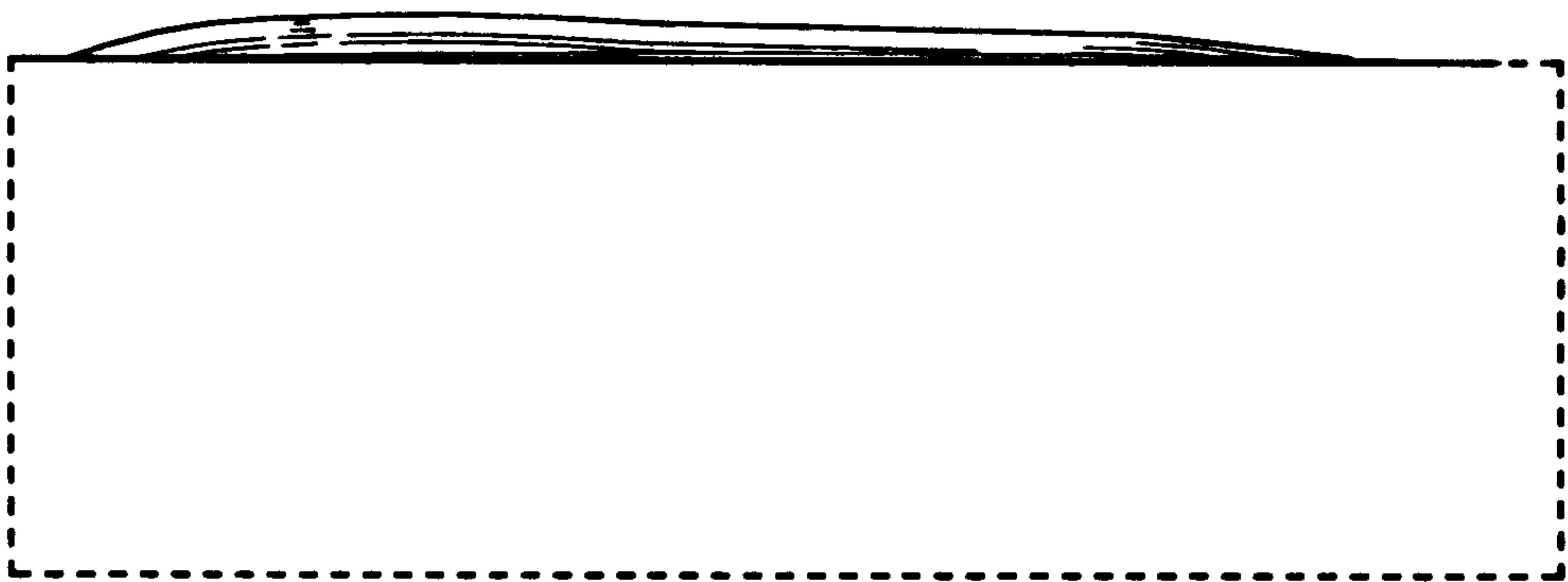
**FIG. 2**



**FIG. 3**



*FIG. 4*



*FIG. 5*

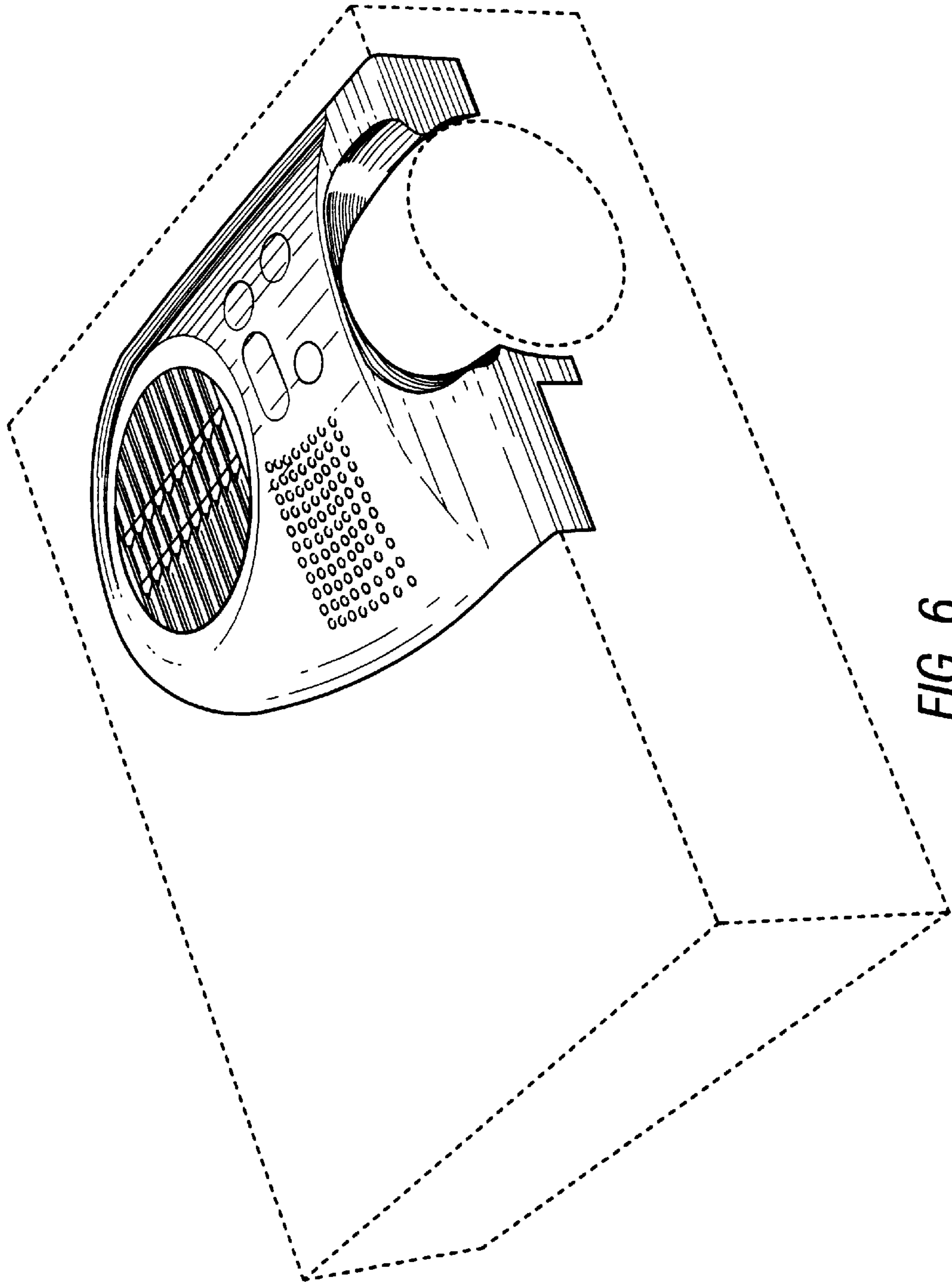


FIG. 6