



US00D436980S

(12) **United States Design Patent**
Takeuchi et al.

(10) **Patent No.:** **US D436,980 S**

(45) **Date of Patent:** **** Jan. 30, 2001**

(54) **PROJECTOR**

(75) Inventors: **Katsuyuki Takeuchi**, Osaka-fu;
Kenichi Yamauchi, Tokyo, both of (JP)

(73) Assignee: **NEC Corporation**, Tokyo (JP)

(**) Term: **14 Years**

(21) Appl. No.: **29/117,150**

(22) Filed: **Jan. 19, 2000**

(30) **Foreign Application Priority Data**

Jul. 19, 1999 (JP) 11-19339

(51) **LOC (7) Cl.** **16-02**

(52) **U.S. Cl.** **D16/231; D16/225**

(58) **Field of Search** D16/200-205,
D16/221, 225, 230, 231, 234; 353/115,
119, 122

(56) **References Cited**

U.S. PATENT DOCUMENTS

D. 400,902 * 11/1998 Yamazaki et al. D16/225
D. 409,644 * 5/1999 Uehara D16/234

D. 418,532 * 1/2000 Kuramoto et al. D16/230
D. 421,036 * 2/2000 Oota et al. D16/231
2,916,964 * 12/1959 Paulsohn 353/115

OTHER PUBLICATIONS

Sharp Catalog, Aug. 1993 p. 5 (EIZ projector).*

* cited by examiner

Primary Examiner—Adir Aronovich

(74) *Attorney, Agent, or Firm*—Sughrue, Mion, Zinn,
Macpeak & Seas, PLLC

(57) **CLAIM**

The ornamental design for a projector, as shown.

DESCRIPTION

FIG. 1 is a perspective view of the top, front and right side of a projector showing my new design;
FIG. 2 is a front elevational view thereof;
FIG. 3 is a rear elevational view thereof;
FIG. 4 is a top plan view thereof;
FIG. 5 is a bottom plan view thereof;
FIG. 6 is a right side elevational view thereof; and,
FIG. 7 is a left side elevational view thereof.

1 Claim, 4 Drawing Sheets

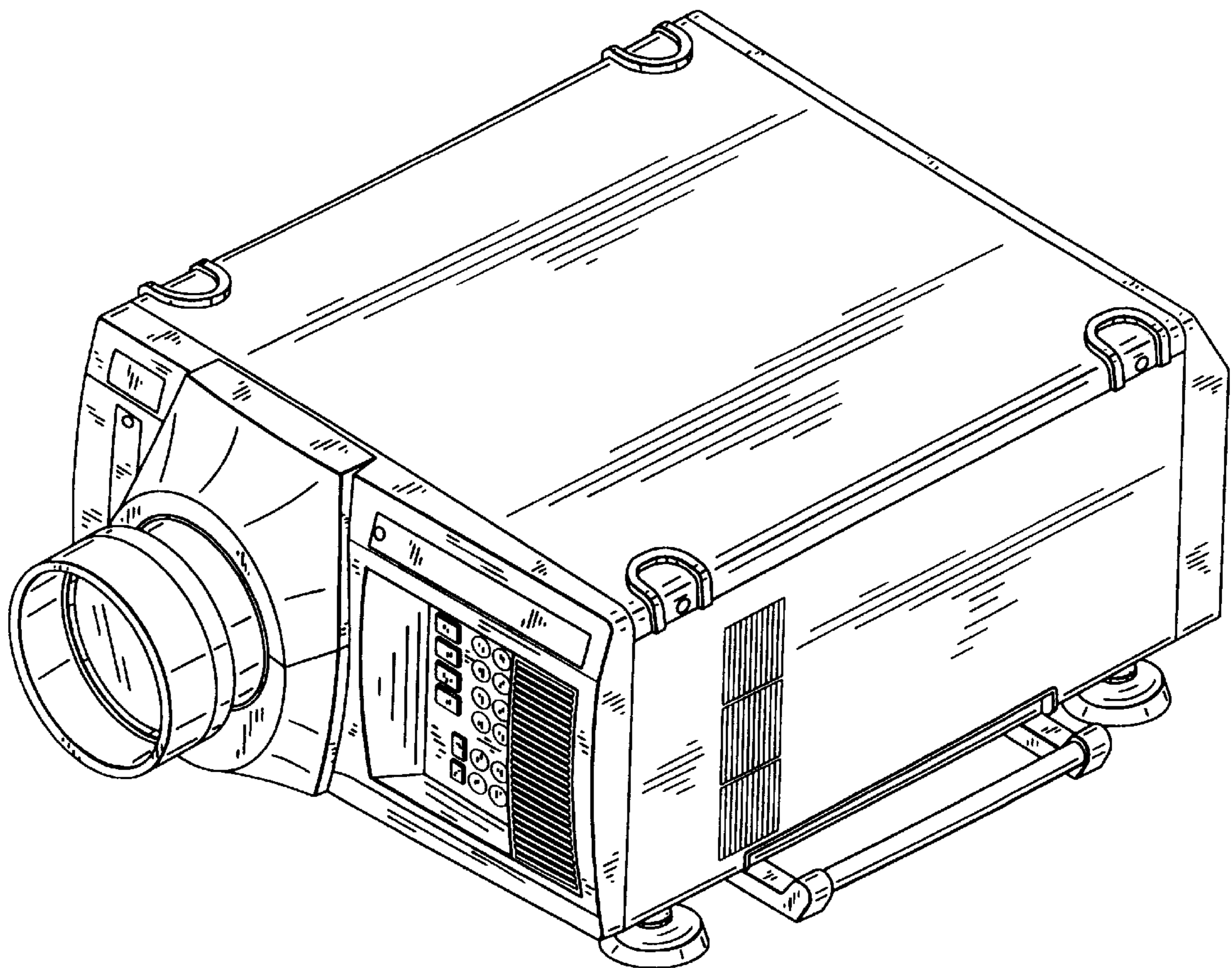


FIG. 1

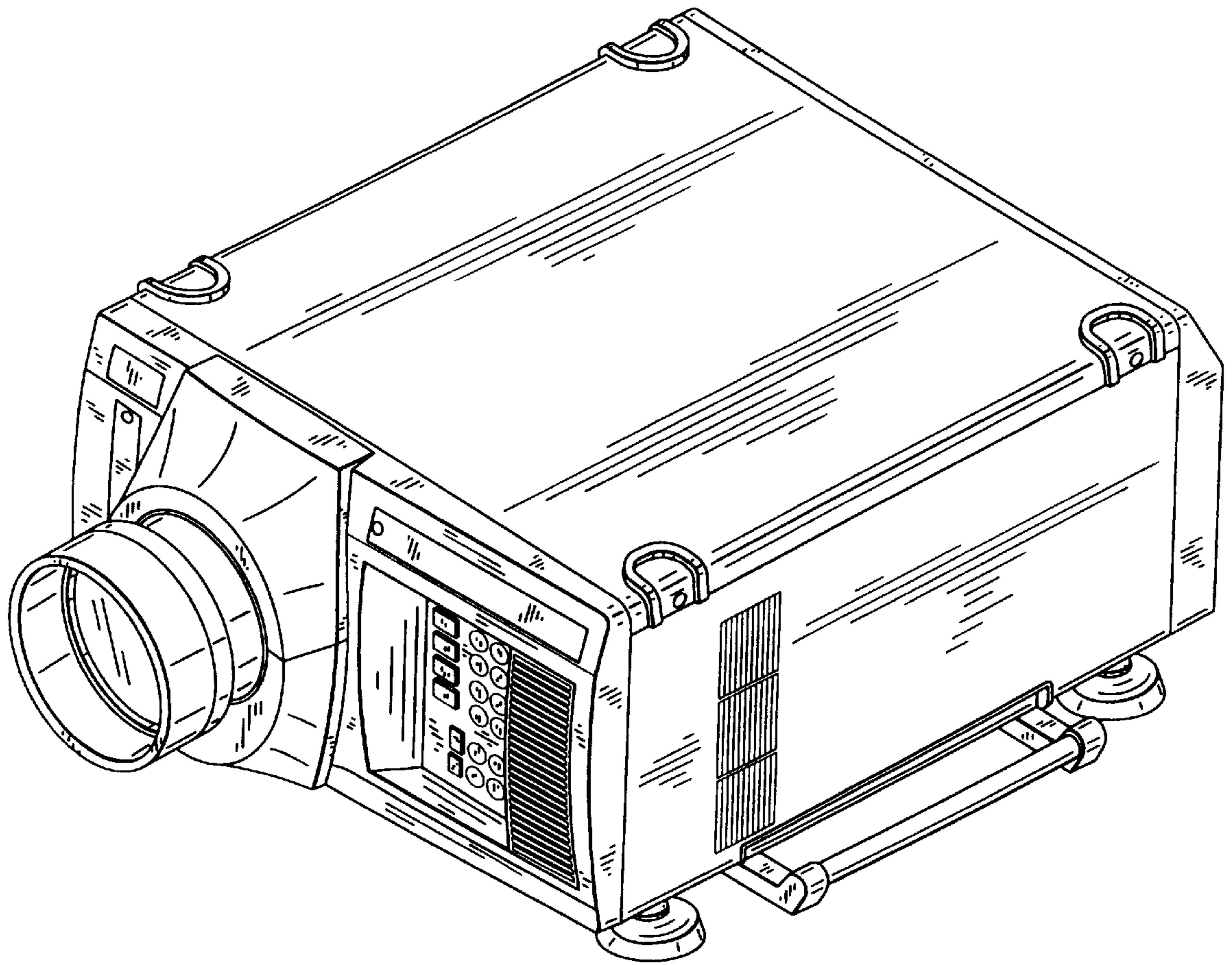


FIG. 2

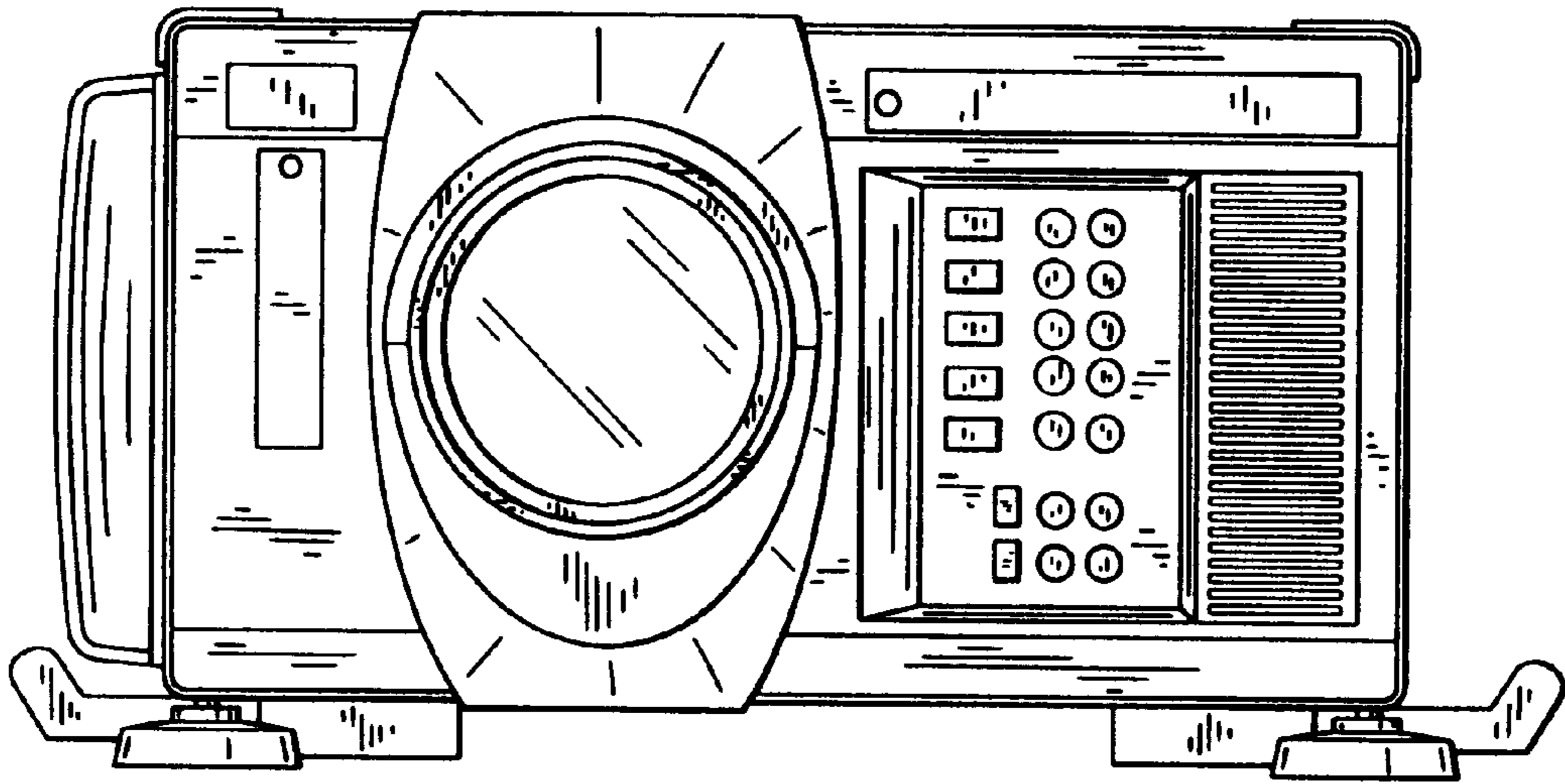


FIG. 3

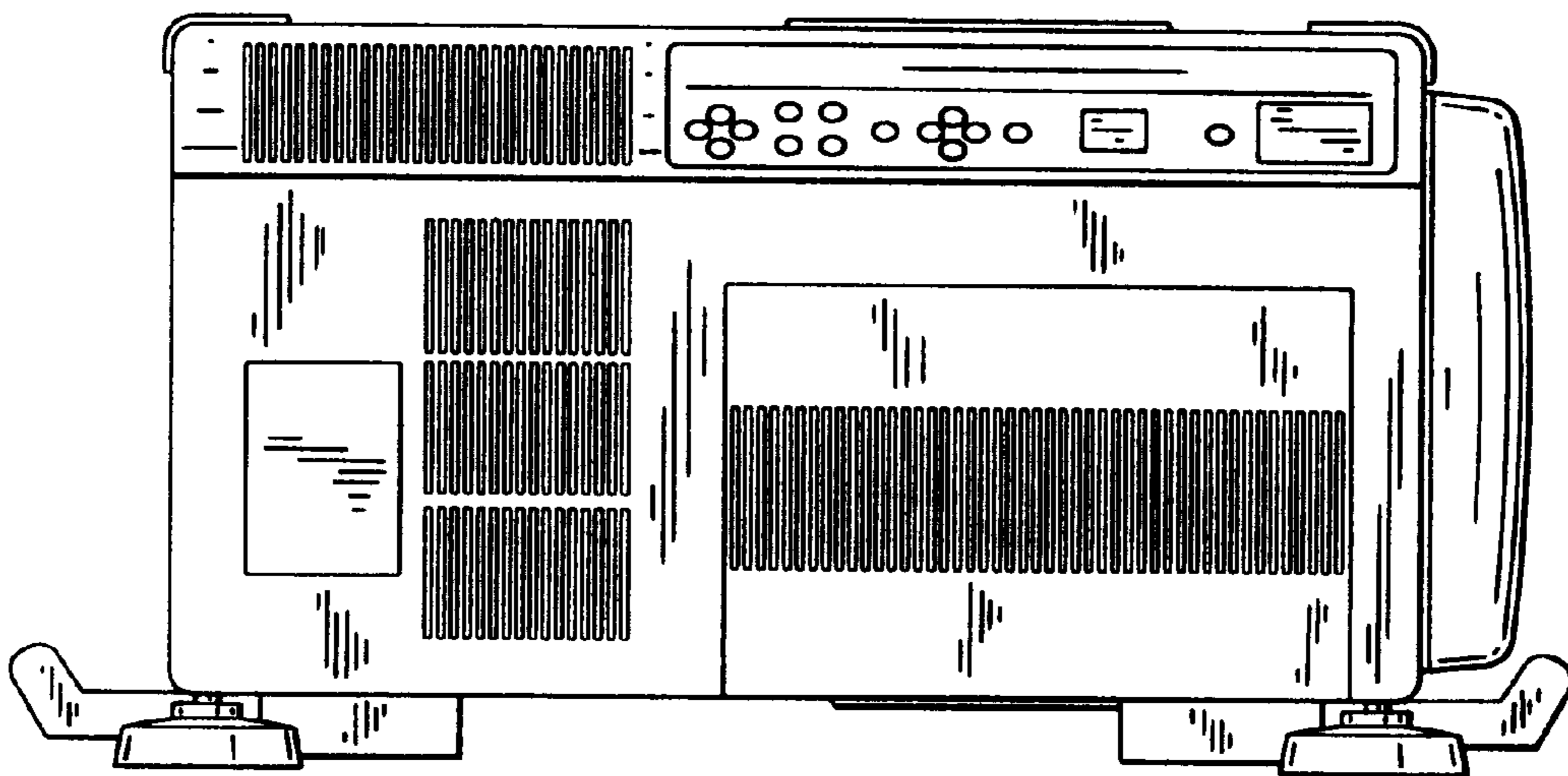


FIG. 5

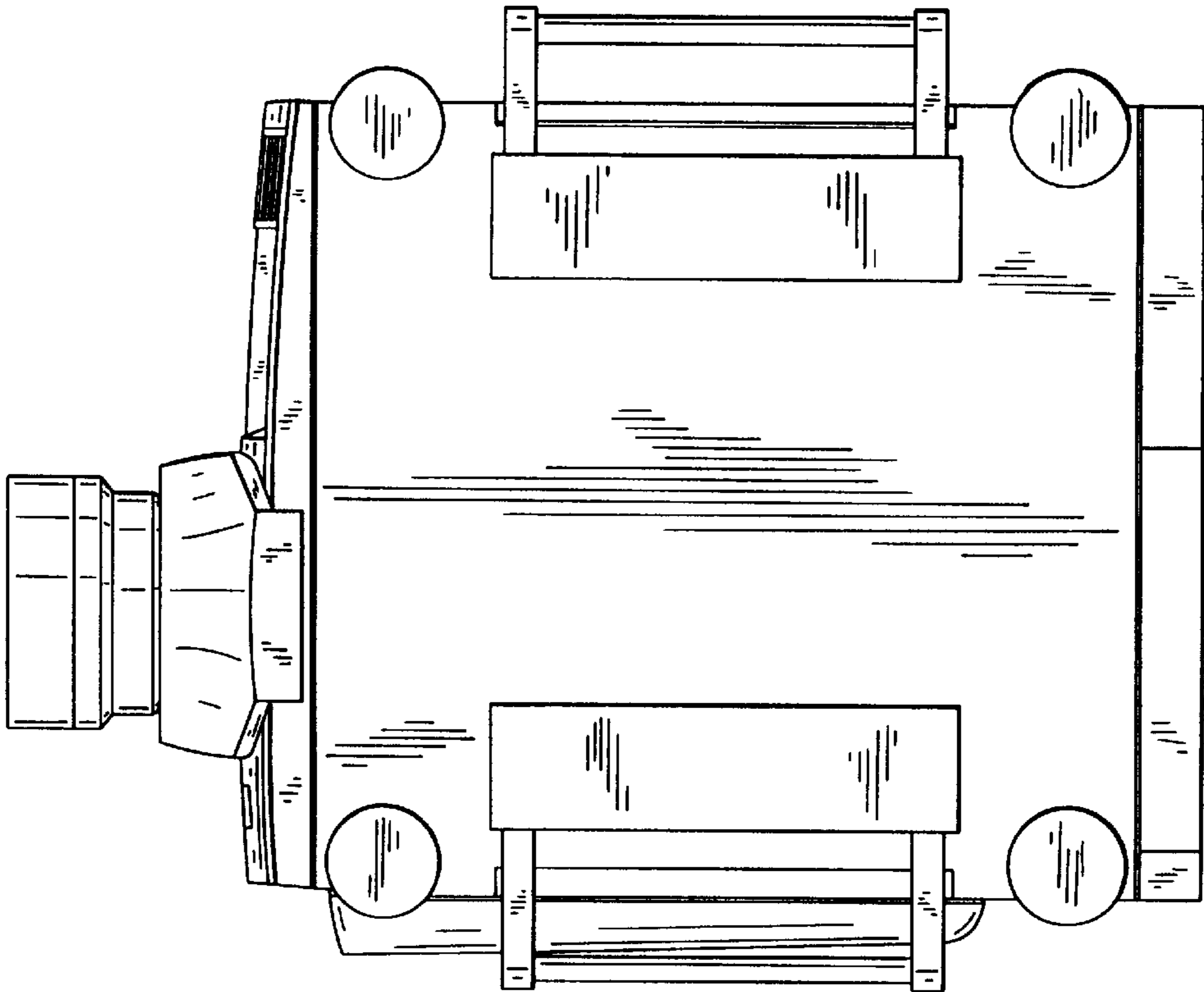


FIG. 4

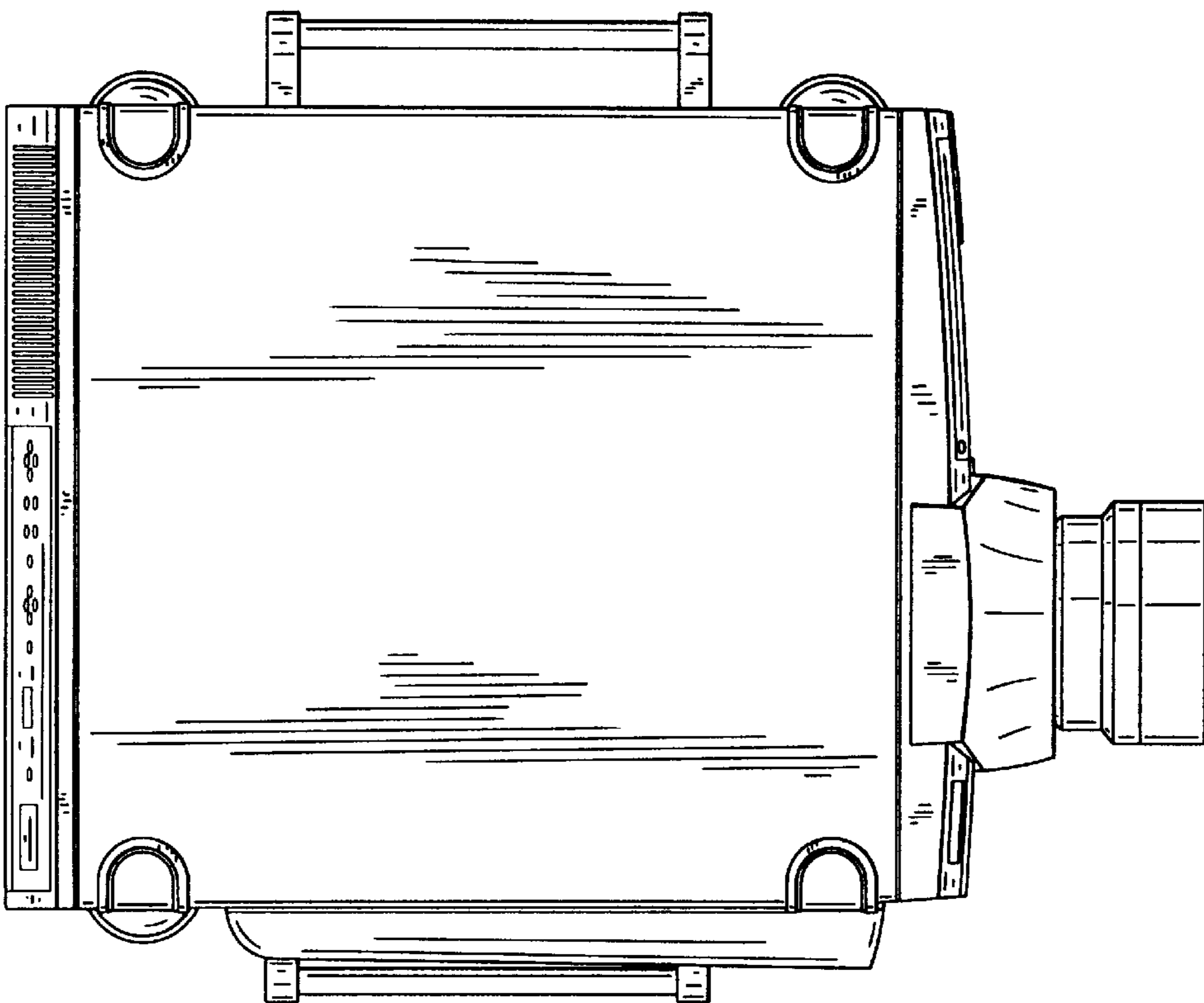


FIG. 6

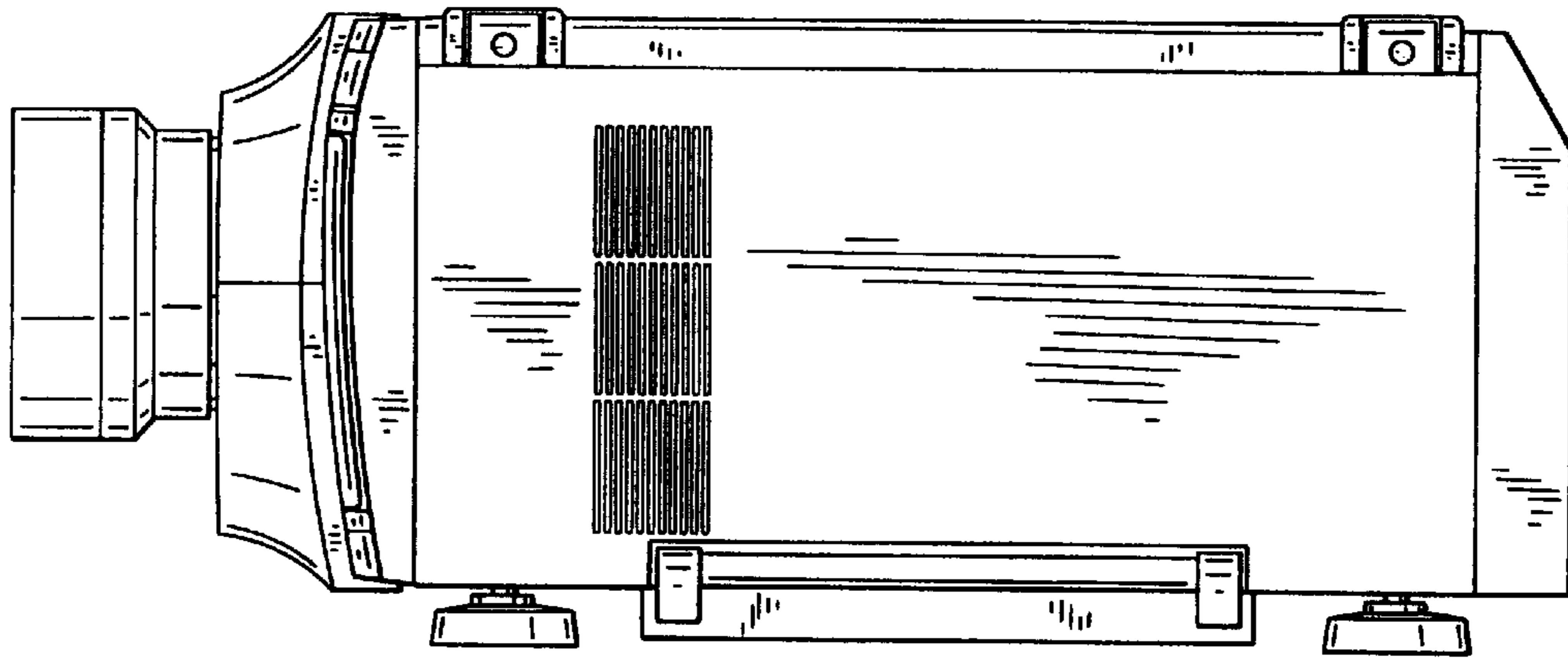


FIG. 7

